

US00D520566S

(12) **United States Design Patent**  
**Chang**

(10) **Patent No.:** **US D520,566 S**

(45) **Date of Patent:** **\*\* May 9, 2006**

(54) **BOOKHOLDER**

(75) Inventor: **Chin Mao Chang**, Hong Kong (HK)

(73) Assignee: **Lucky Island Industrial Co., Ltd.**,  
Hong Kong (CN)

(\*\*) Term: **14 Years**

(21) Appl. No.: **29/211,949**

(22) Filed: **Aug. 24, 2004**

(51) **LOC (8) Cl.** ..... **19-02**

(52) **U.S. Cl.** ..... **D19/91**

(58) **Field of Classification Search** ..... D6/419;  
D19/75, 78, 86, 87, 90, 91, 92, 95; 206/215;  
248/441.1, 442.2, 450, 451, 453, 454, 455,  
248/456, 460, 462, 463, 918, 444, 446; 281/45  
See application file for complete search history.

(56) **References Cited**

**U.S. PATENT DOCUMENTS**

121,993	A	*	12/1871	Cohn	.....	248/463
430,813	A	*	6/1890	Strippel	.....	248/441.1
1,263,762	A	*	4/1918	Haslam	.....	248/456
3,952,989	A	*	4/1976	Bannister Hatcher	.....	248/453
D280,218	S	*	8/1985	Szablak et al.	.....	D19/91
D322,900	S	*	1/1992	Pursley	.....	D19/91
5,433,415	A		7/1995	Samson et al.		
5,649,683	A	*	7/1997	Ahn	.....	248/453
5,772,174	A		6/1998	Hirsch et al.		
2003/0001064	A1	*	1/2003	Book	.....	248/460

**FOREIGN PATENT DOCUMENTS**

CN	01266012.4	8/2002
CN	200420005988.2	7/2004

\* cited by examiner

*Primary Examiner*—Caron D. Veynar

*Assistant Examiner*—Elizabeth Albert

(74) *Attorney, Agent, or Firm*—RatnerPrestia

(57) **CLAIM**

The ornamental design for a bookholder, as shown and described.

**DESCRIPTION**

FIG. 1 is a perspective view of a bookholder in its retracted configuration.

FIG. 2 is a front view of the bookholder illustrated in FIG. 1.

FIG. 3 is a rear view of the bookholder illustrated in FIG. 1. FIG. 4 is an enlarged left side view of the bookholder illustrated in FIG. 1.

FIG. 5 is an enlarged right side view of the bookholder illustrated in FIG. 1.

FIG. 6 is an enlarged top view of the bookholder illustrated in FIG. 1.

FIG. 7 is an enlarged bottom view of the bookholder illustrated in FIG. 1.

FIG. 8 is a perspective view of a bookholder in its extended configuration.

FIG. 9 is a front view of the bookholder illustrated in FIG. 8.

FIG. 10 is a rear view of the bookholder illustrated in FIG. 8.

FIG. 11 is an enlarged left side view of the bookholder illustrated in FIG. 8.

FIG. 12 is an enlarged right side view of the bookholder illustrated in FIG. 8.

FIG. 13 is an enlarged top view of the bookholder illustrated in FIG. 8; and,

FIG. 14 is an enlarged bottom view of the bookholder illustrated in FIG. 8.

**1 Claim, 14 Drawing Sheets**

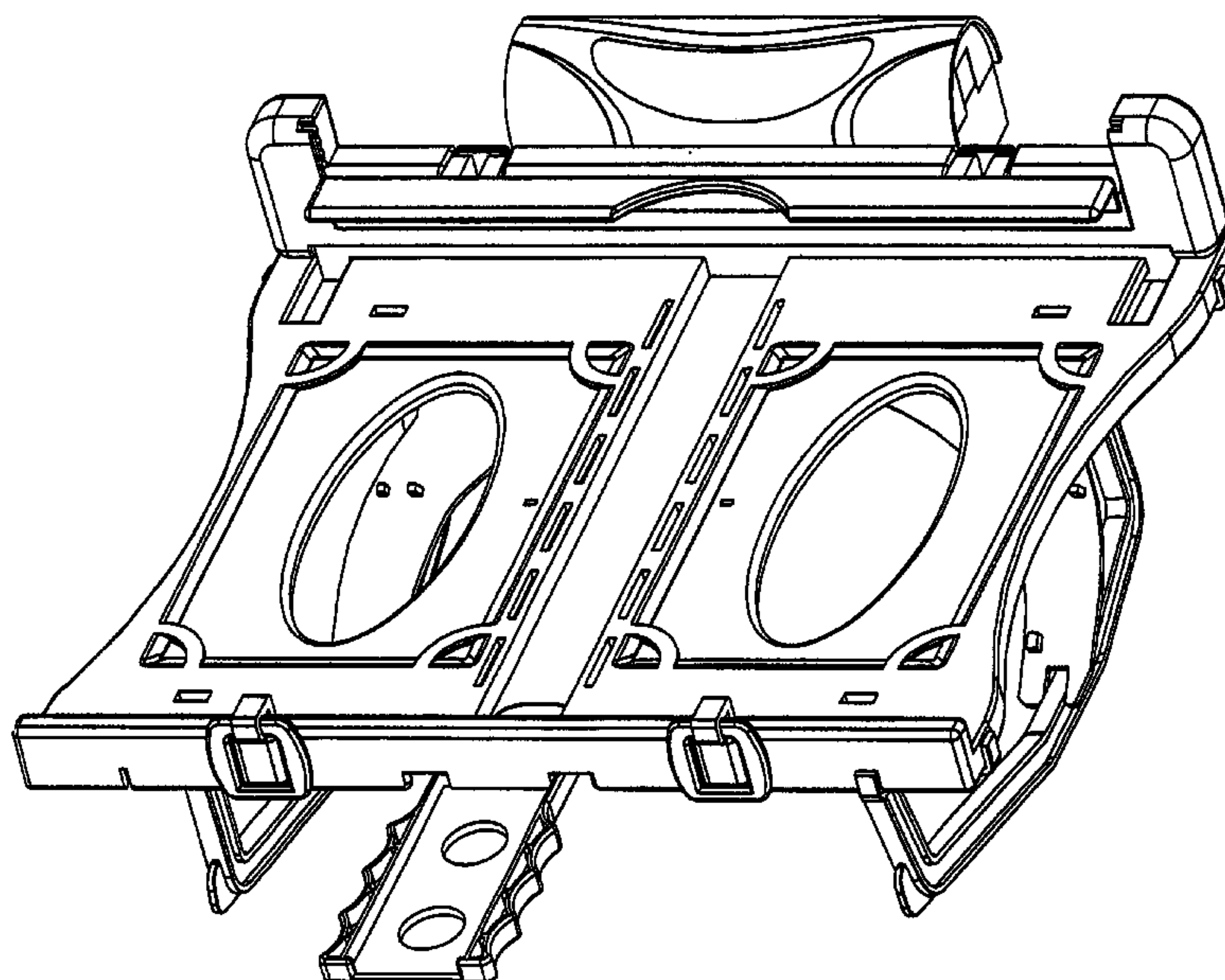


Fig. 1

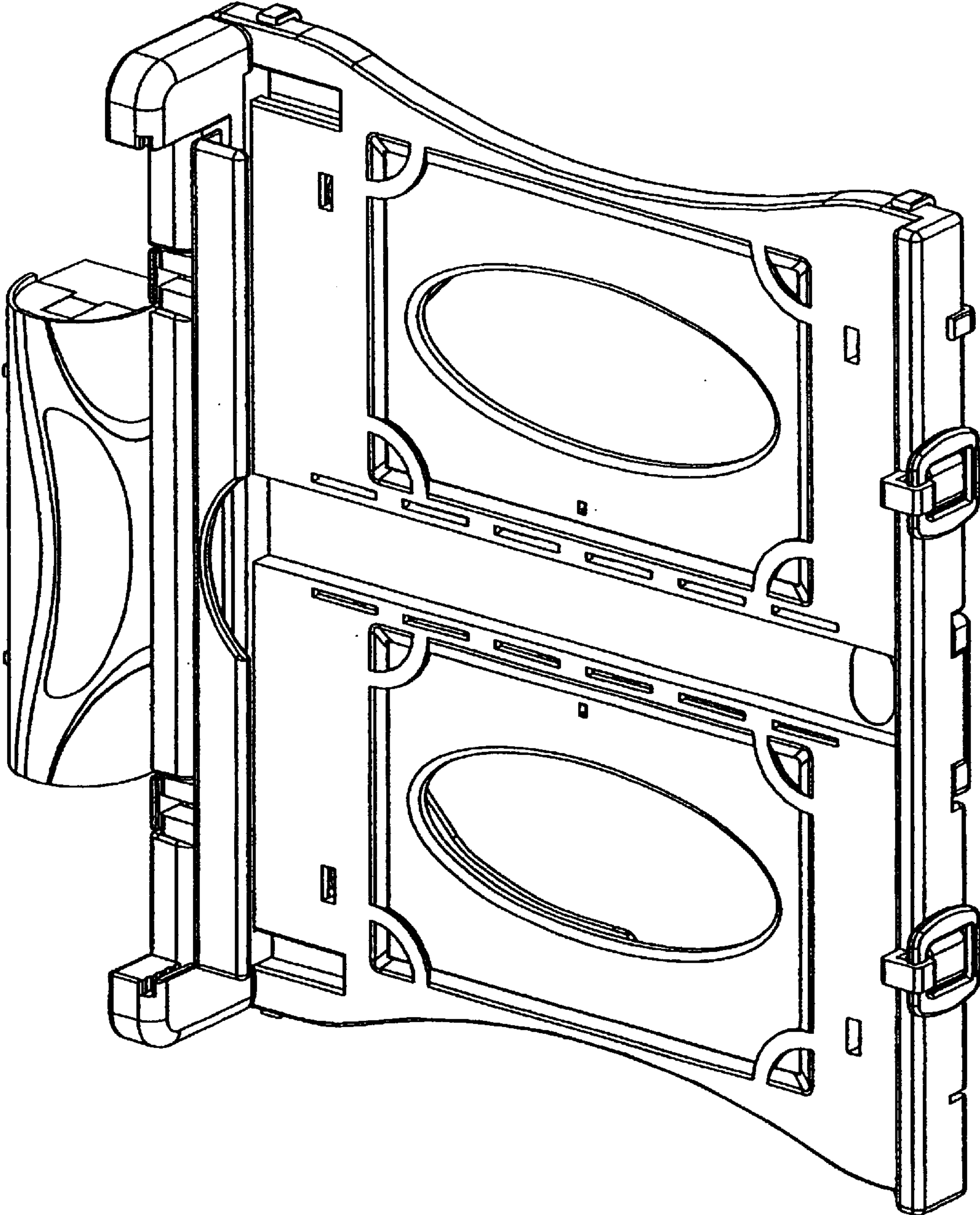


Fig. 2

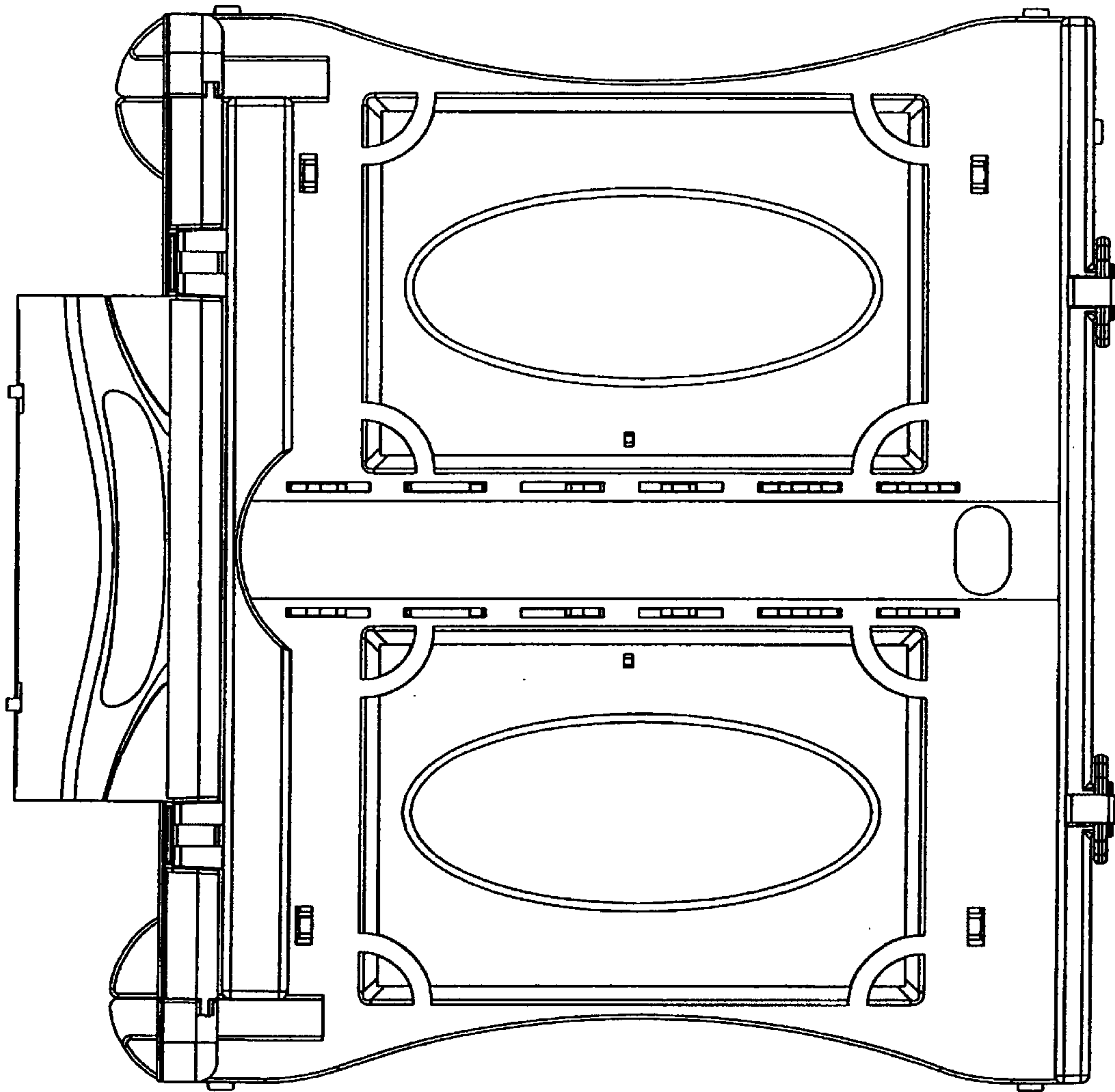
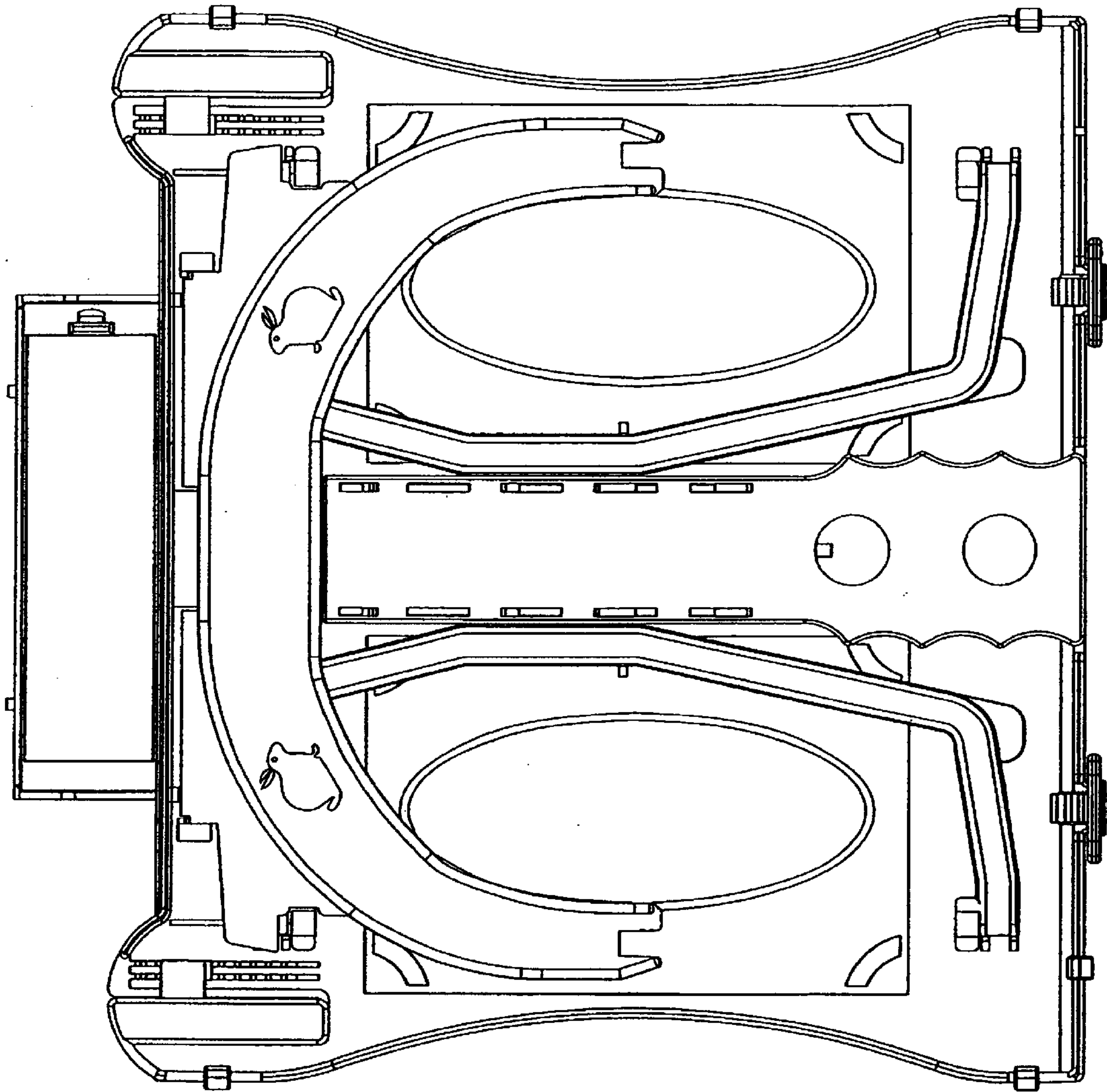




Fig. 3



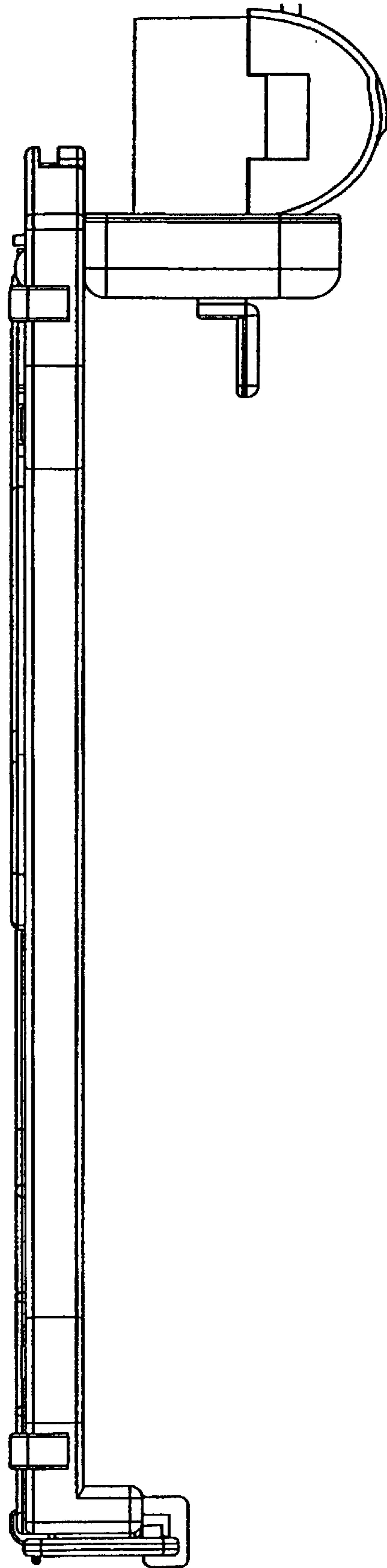


Fig. 4

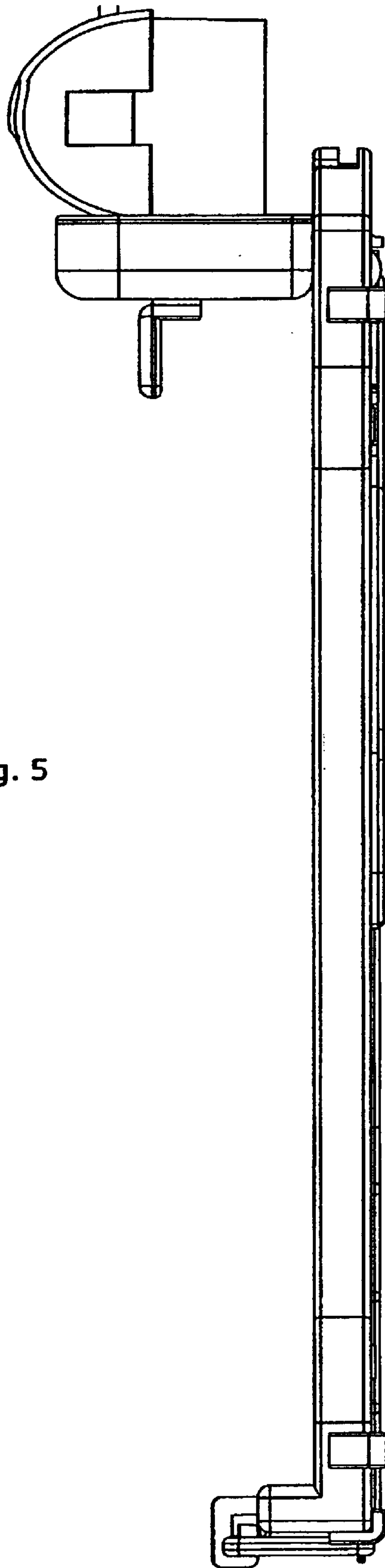


Fig. 5

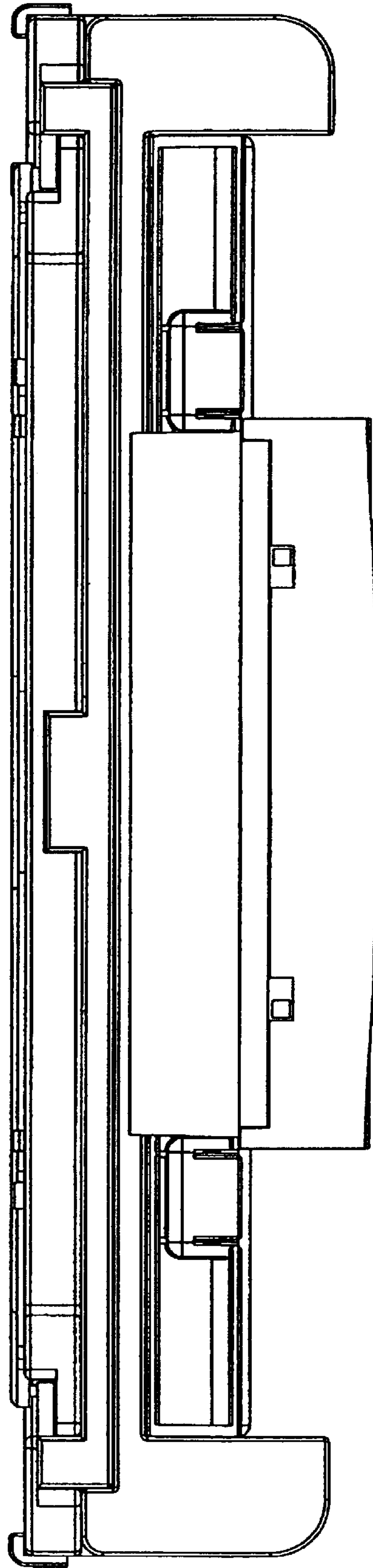


Fig. 6

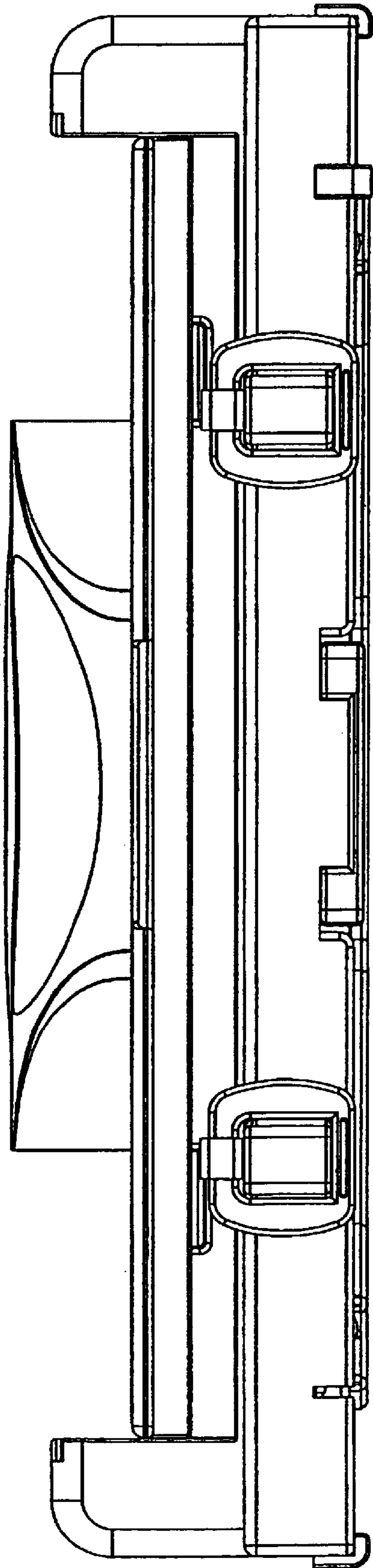


Fig. 7



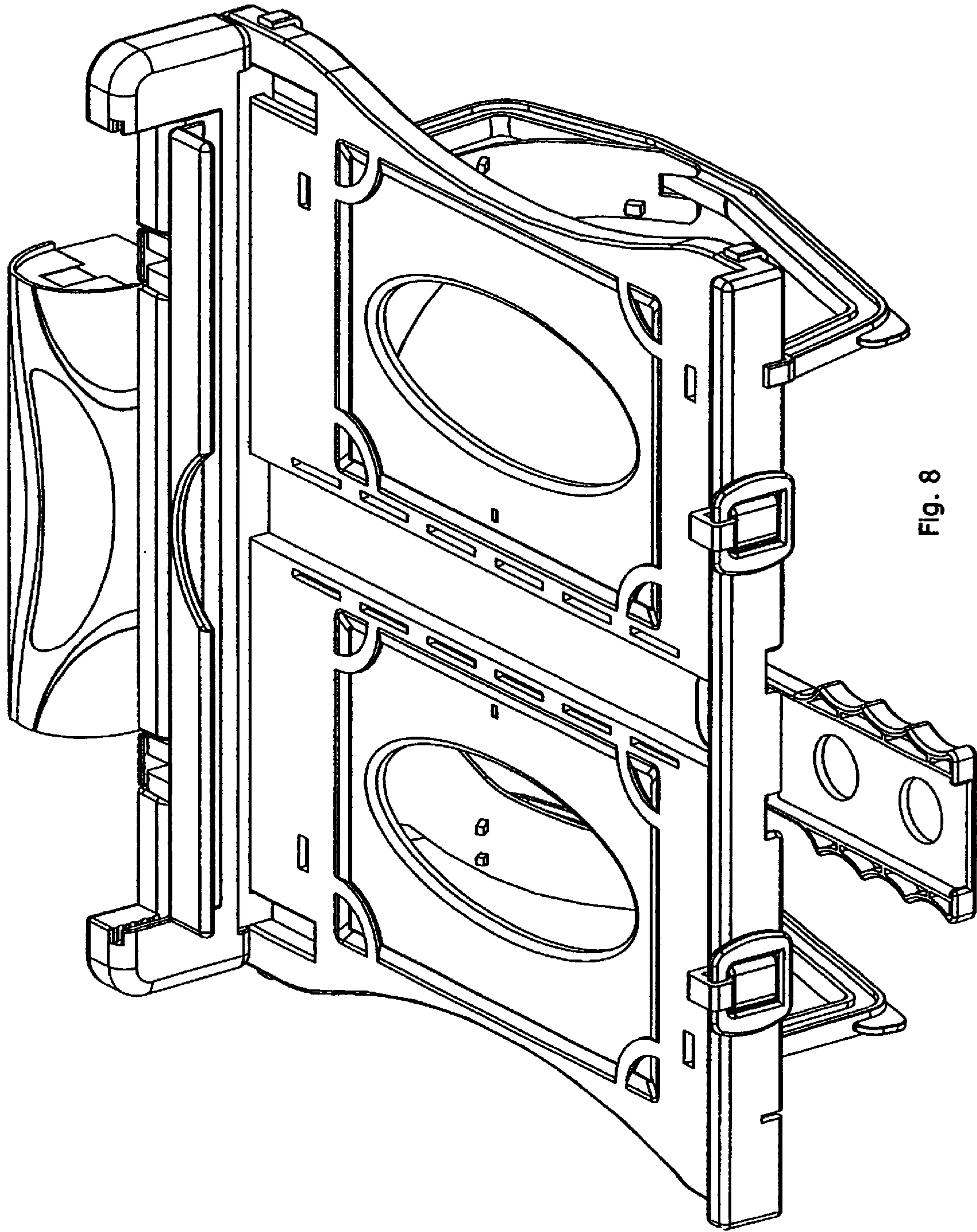


Fig. 8

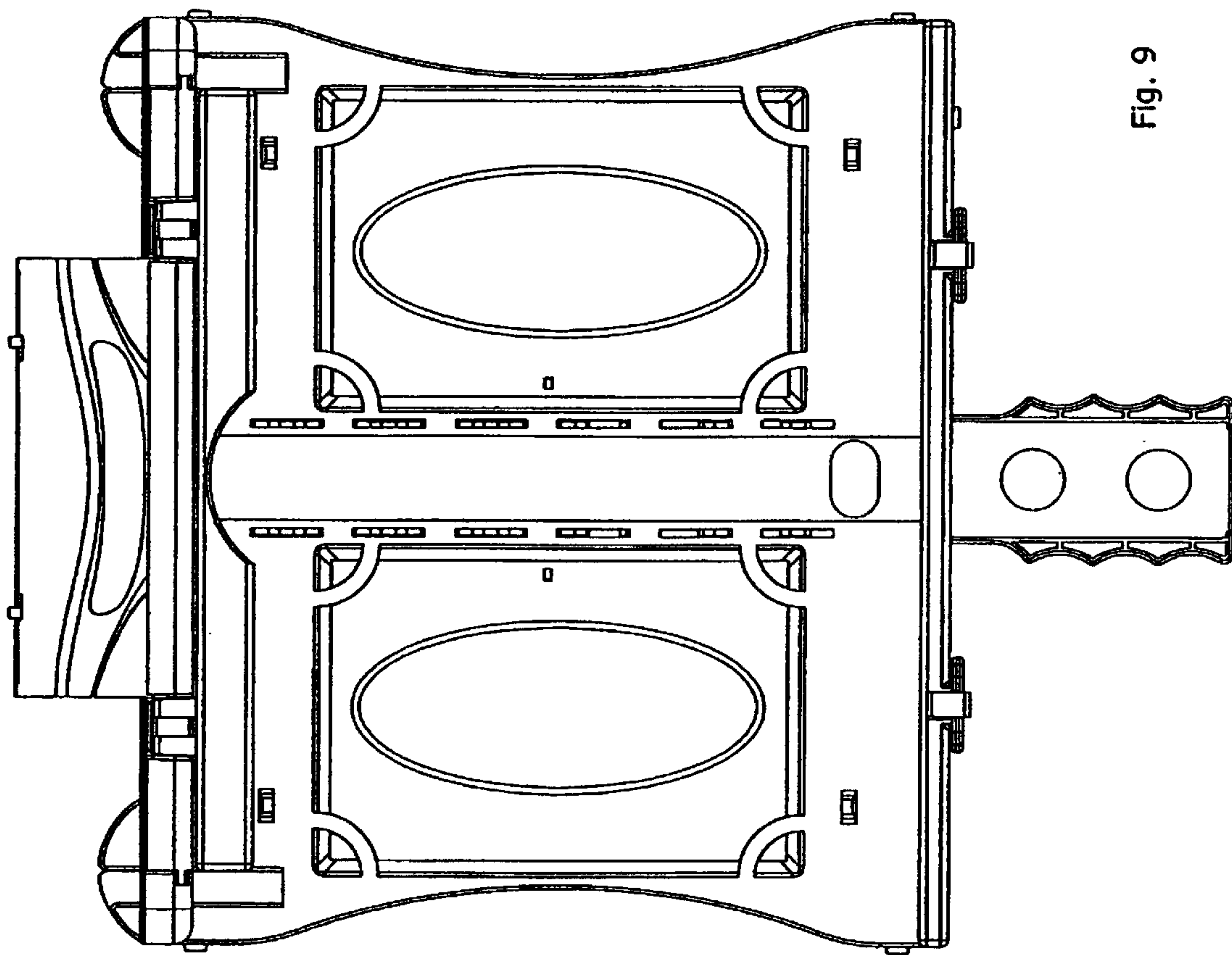


Fig. 9

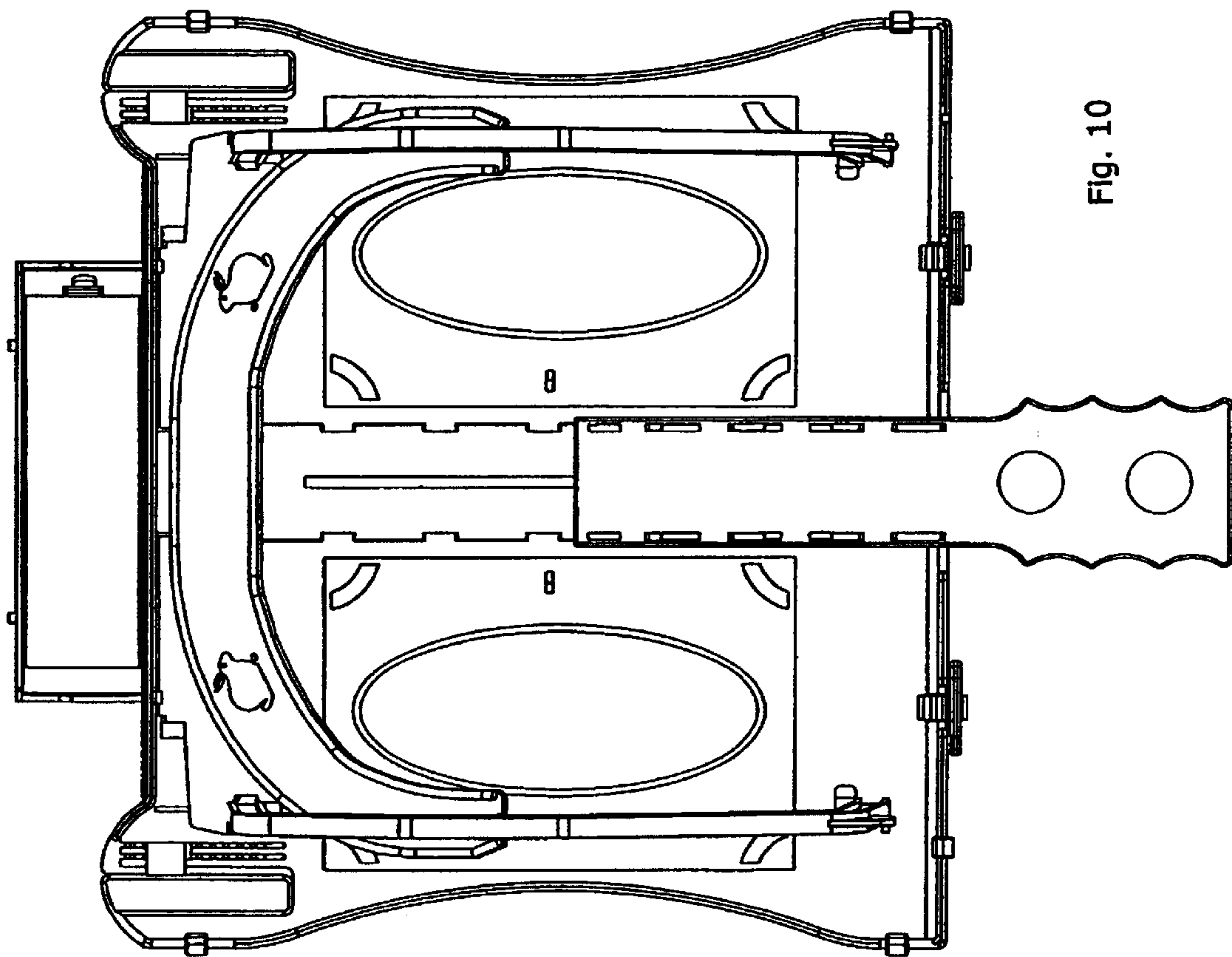


Fig. 10

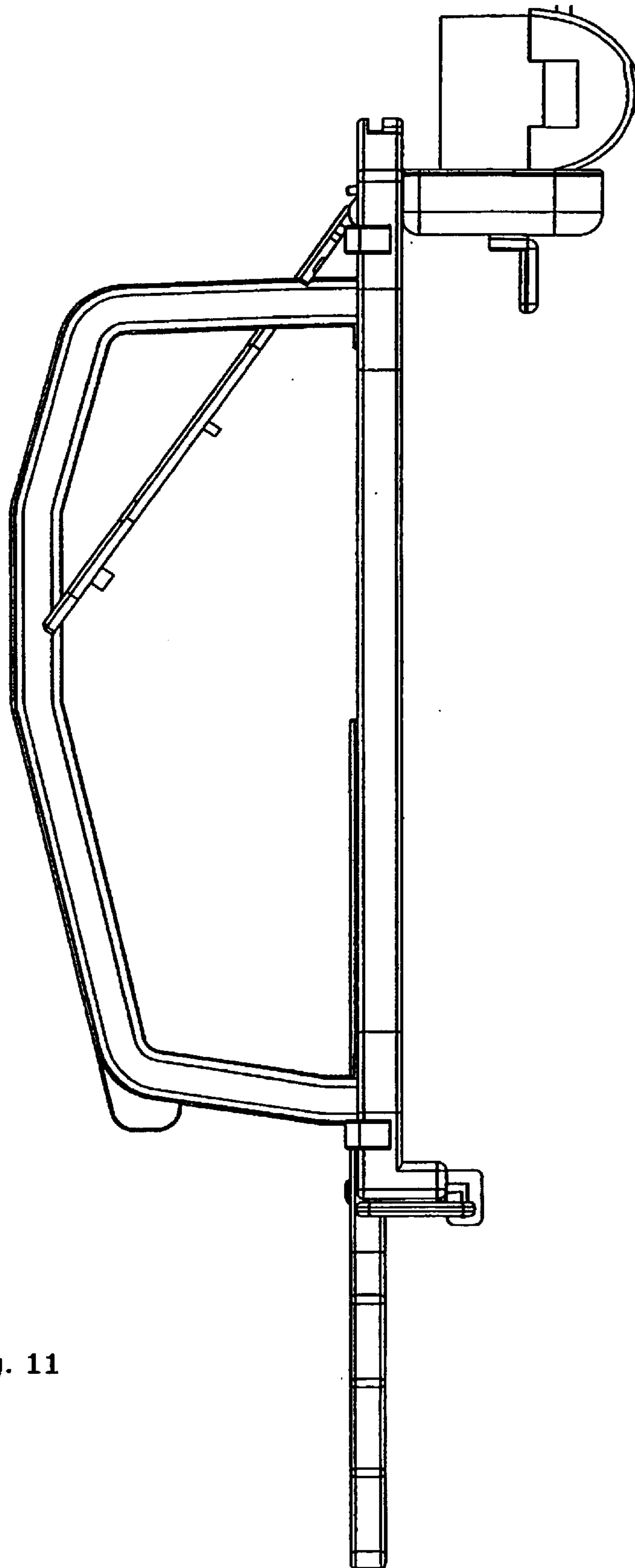


Fig. 11

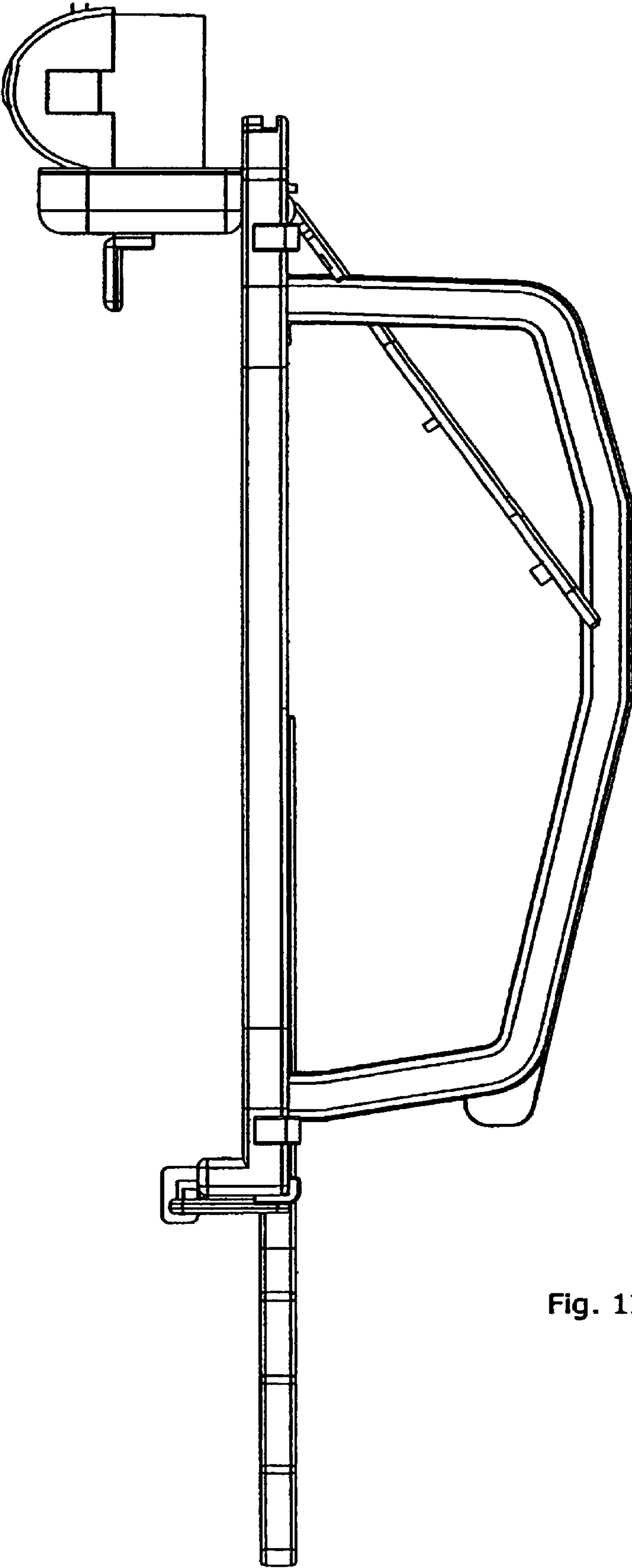


Fig. 12



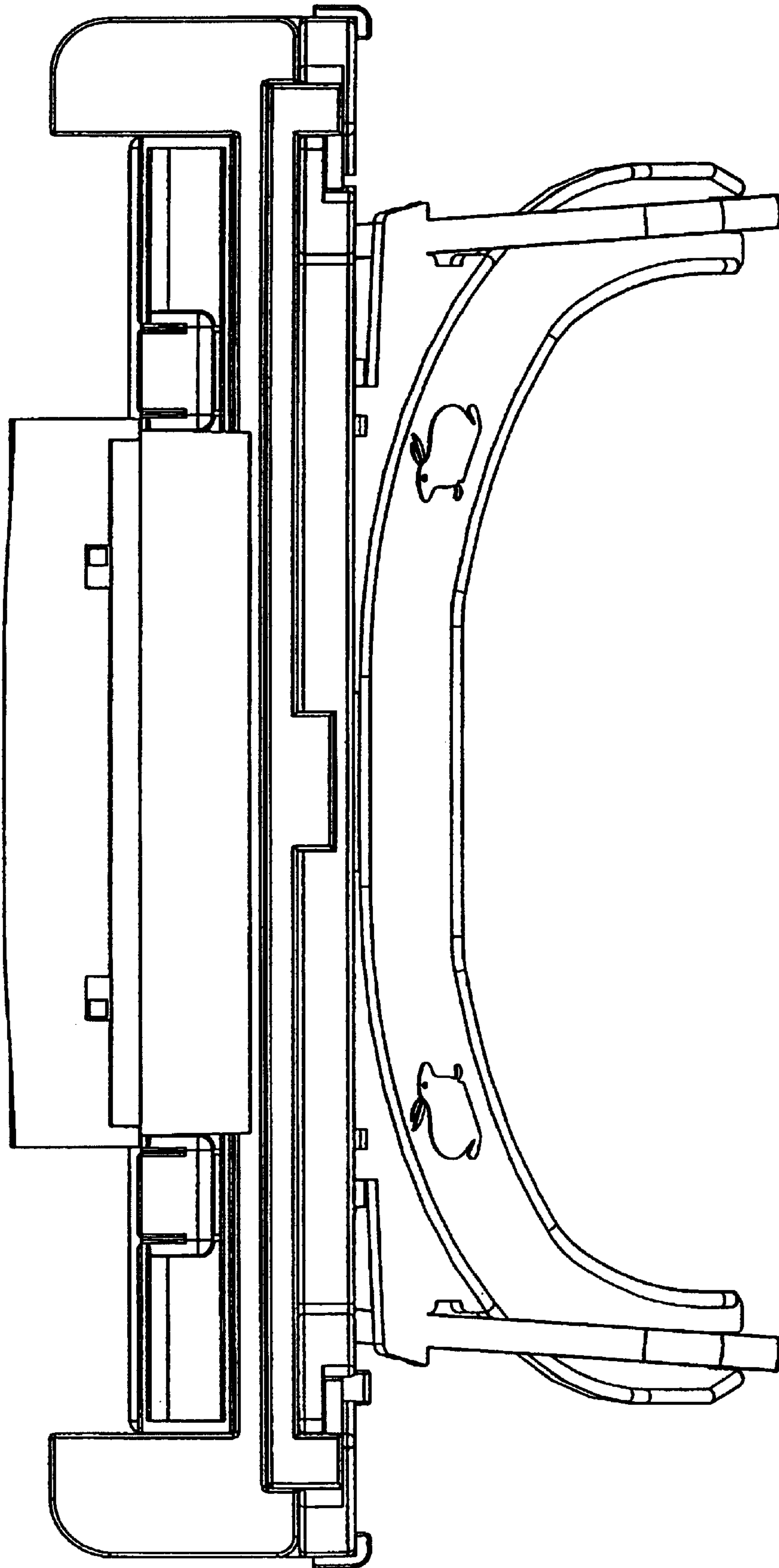


Fig. 13

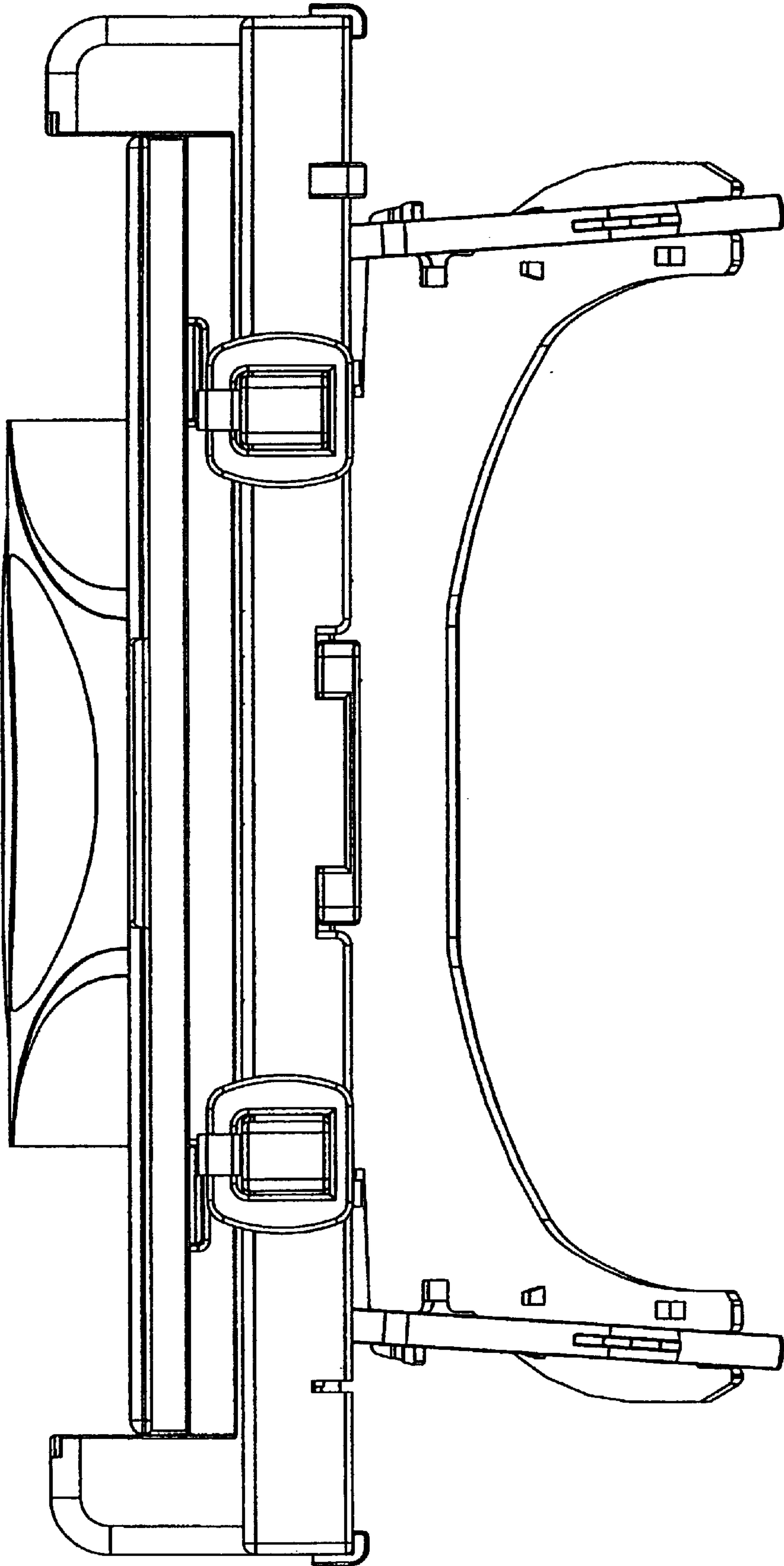


Fig. 14