



US00D520564S

(12) **United States Design Patent**  
**Hsieh**

(10) **Patent No.:** **US D520,564 S**

(45) **Date of Patent:** **\*\* May 9, 2006**

(54) **LIQUID CLIP CADDY**

(76) **Inventor:** **Shu-Yueh Hsieh**, 4F, No.3, Alley 23,  
Lane 18, Hou-Shun St., Shi-Chi City,  
Taipei Hsien (TW)

(\*\*) **Term:** **14 Years**

(21) **Appl. No.:** **29/216,543**

(22) **Filed:** **Nov. 5, 2004**

(51) **LOC (8) Cl.** ..... **19-02**

(52) **U.S. Cl.** ..... **D19/75**

(58) **Field of Classification Search** ..... D19/75,  
D19/77, 80, 85, 97, 100; D30/110, 111; 221/212;  
220/23.9, 506; 206/214, 338, 545, 818; D9/636  
See application file for complete search history.

(56) **References Cited**

**U.S. PATENT DOCUMENTS**

2,548,706	A	*	4/1951	Corning	.....	40/661
2,951,312	A	*	9/1960	Eng	.....	446/110
D194,109	S	*	11/1962	Dilley	.....	D30/126
D233,430	S	*	10/1974	Greenlawn	.....	D19/85
3,992,811	A	*	11/1976	Yellin	.....	47/69
D283,714	S	*	5/1986	Petroulias	.....	D19/75
D323,352	S	*	1/1992	Halm	.....	D19/75
D329,467	S	*	9/1992	Petersen	.....	D20/41

D329,509	S	*	9/1992	Burleigh	.....	D30/124
5,263,576	A	*	11/1993	Boreen et al.	.....	206/455
5,417,339	A	*	5/1995	Liu	.....	220/315
D385,186	S	*	10/1997	Fildan	.....	D9/430
D396,331	S	*	7/1998	Niemetz	.....	D30/110
6,464,078	B1	*	10/2002	Grossnickle	.....	206/459.5
D495,368	S	*	8/2004	Hardy	.....	D19/77

\* cited by examiner

*Primary Examiner*—Caron D. Veynar

*Assistant Examiner*—Elizabeth Albert

(74) *Attorney, Agent, or Firm*—Dennison, Schultz,  
Dougherty & MacDonald

(57) **CLAIM**

The ornamental design for a liquid clip caddy, as shown and described.

**DESCRIPTION**

FIG. 1 is a perspective view of a liquid clip caddy showing my new design;

FIG. 2 is a front elevation view thereof;

FIG. 3 is a rear elevation view thereof;

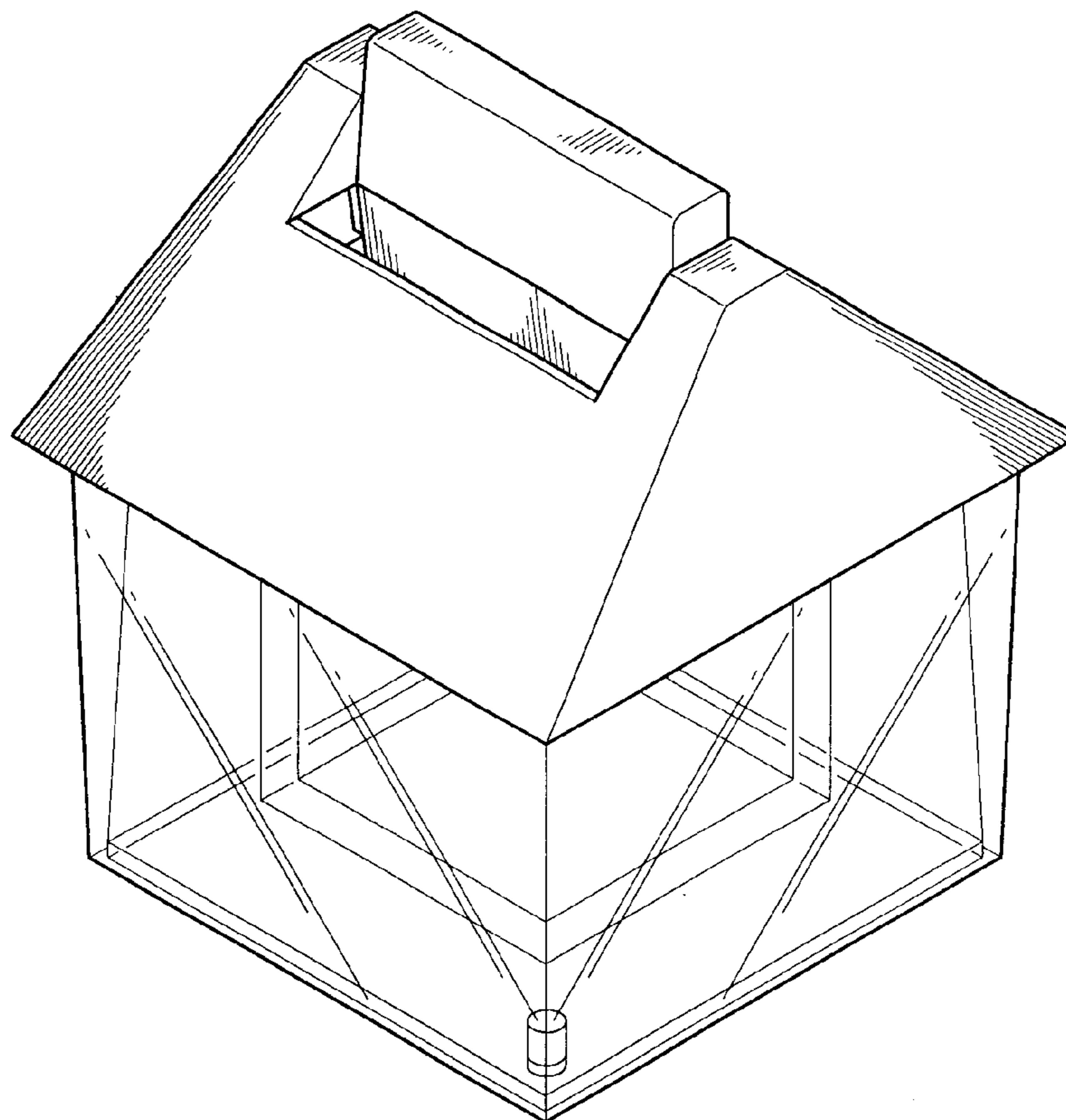
FIG. 4 is a side elevation view thereof;

FIG. 5 is a an elevation view of side opposite to FIG. 4;

FIG. 6 is a top plan view thereof; and,

FIG. 7 is a bottom plan view thereof.

**1 Claim, 4 Drawing Sheets**



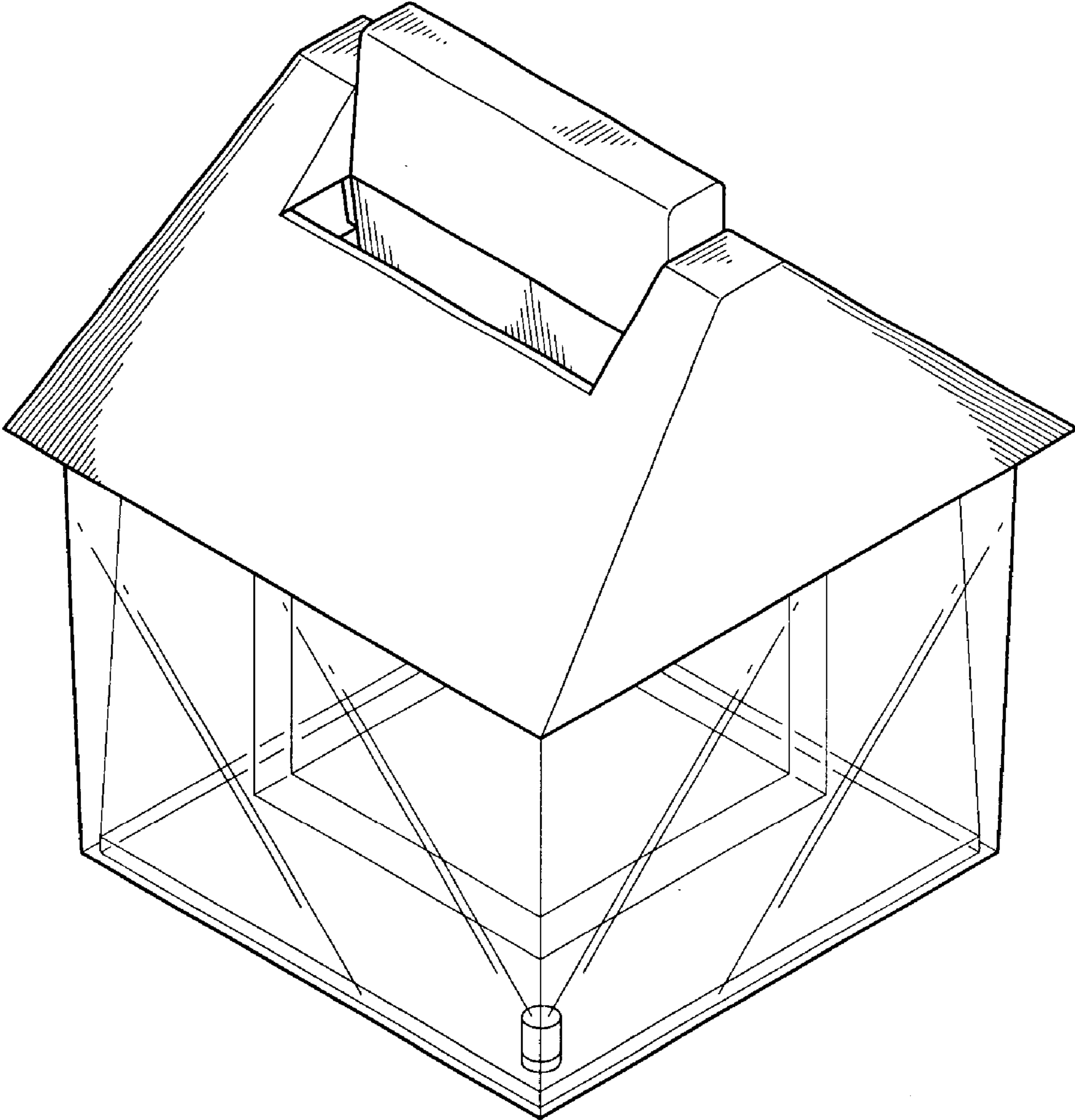


FIG. 1

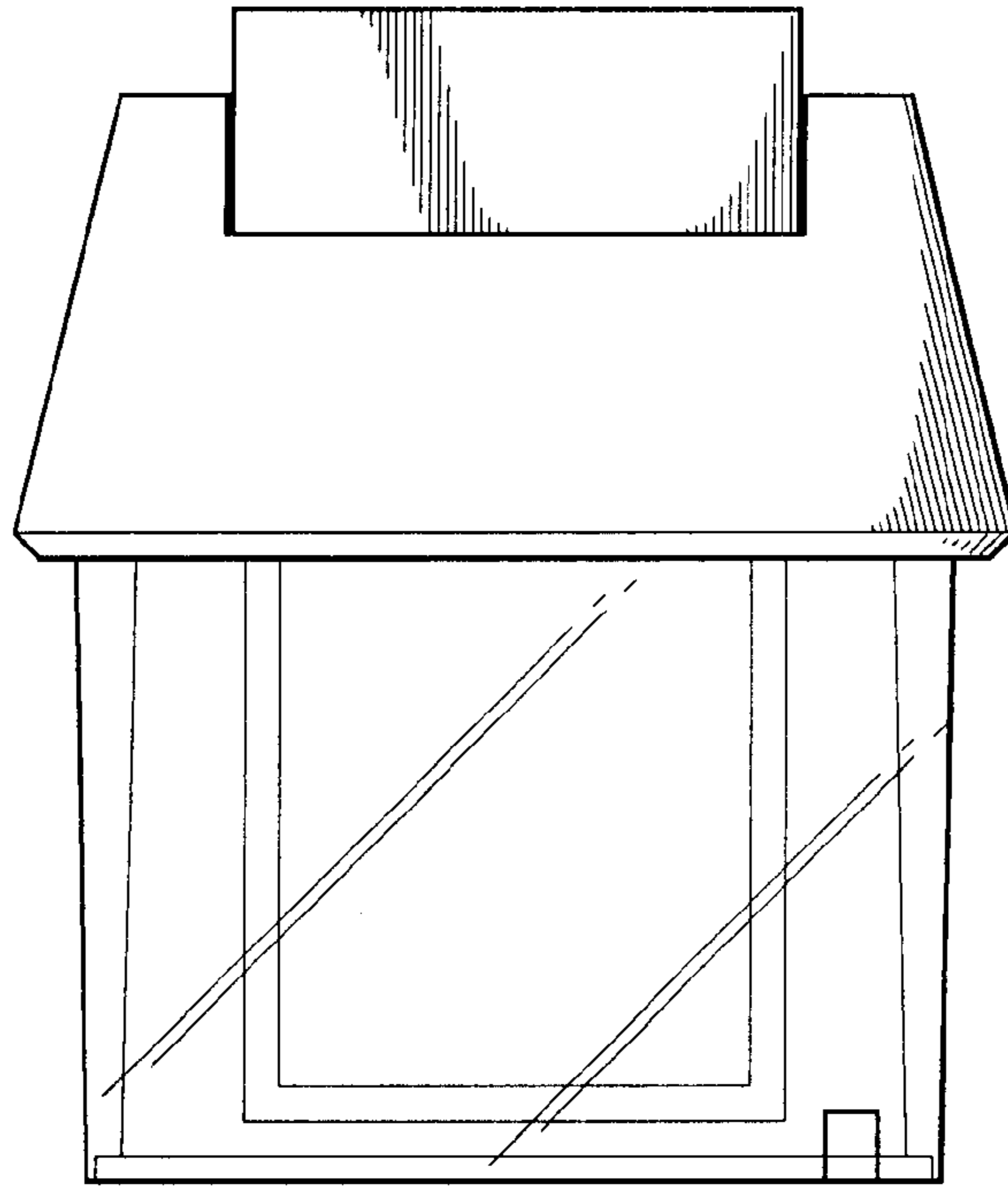


FIG. 2

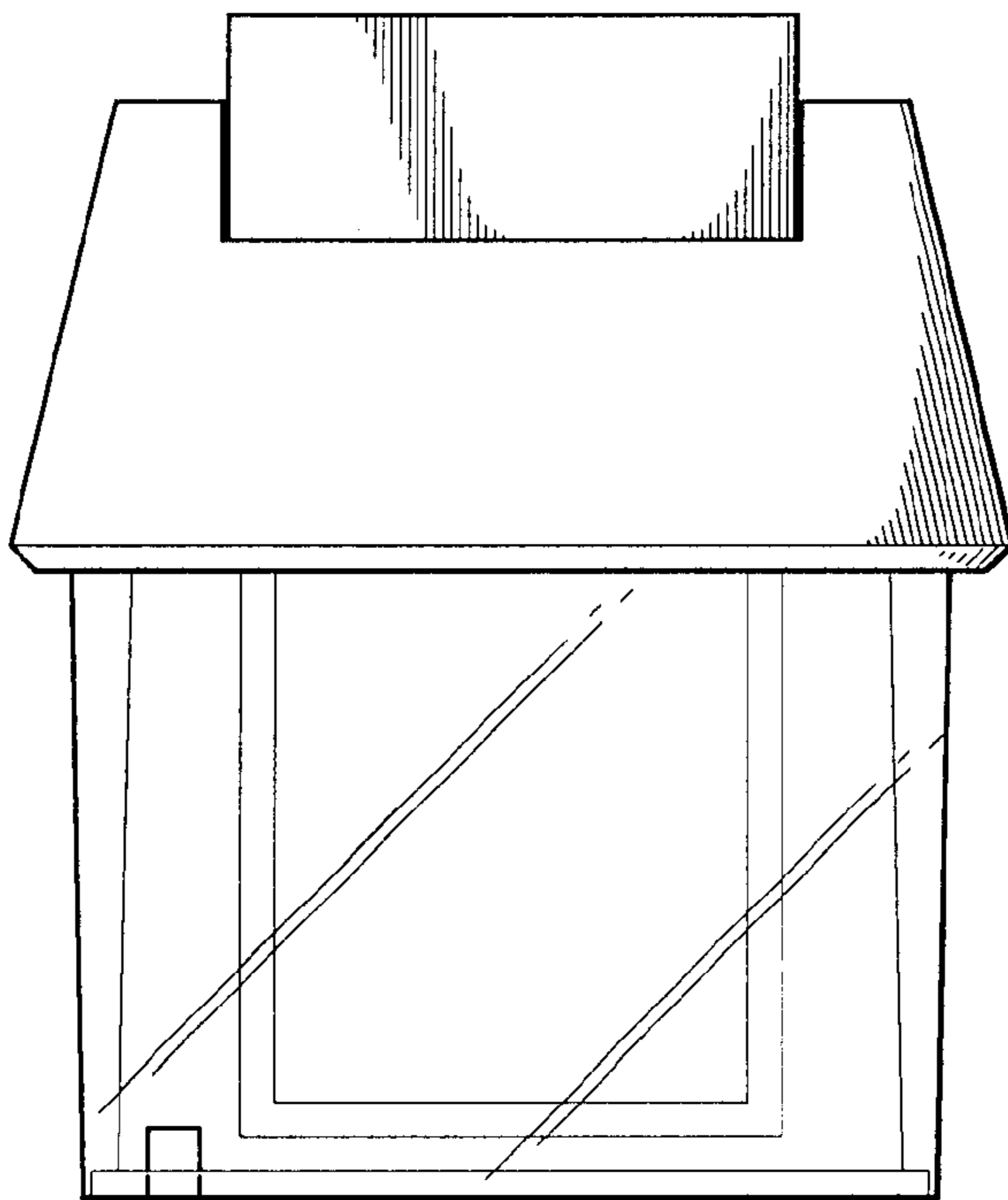


FIG. 3

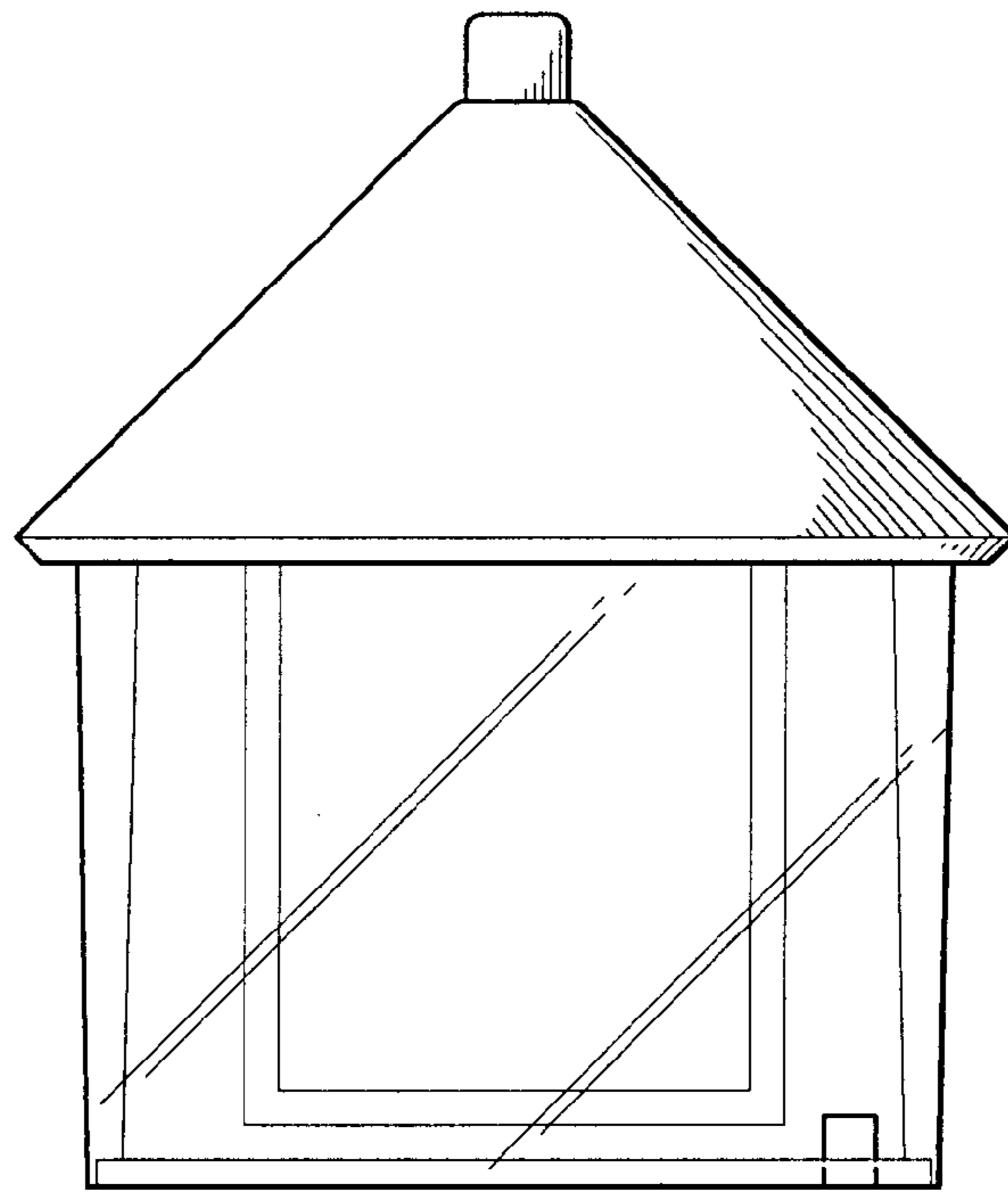


FIG. 4

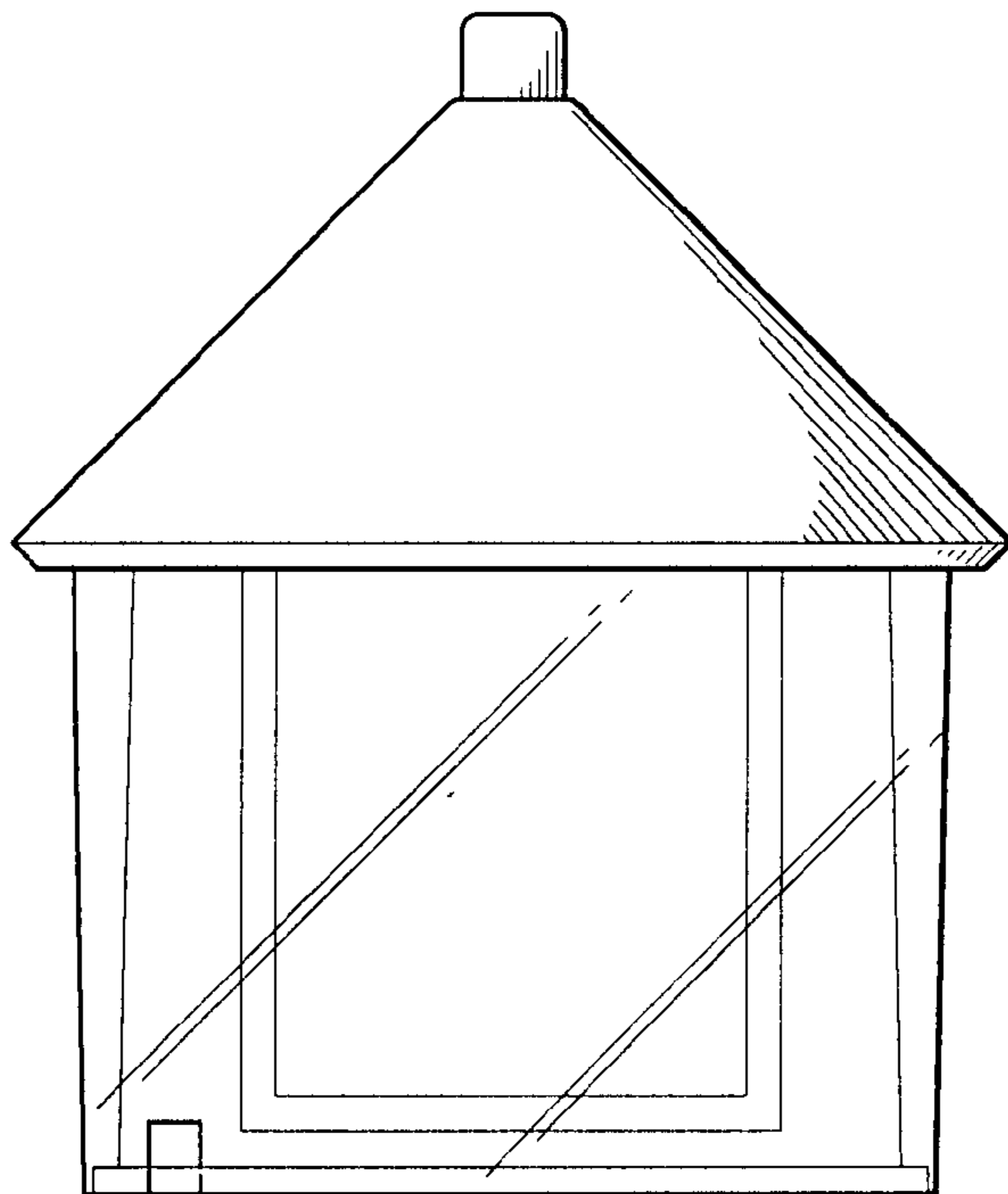


FIG. 5

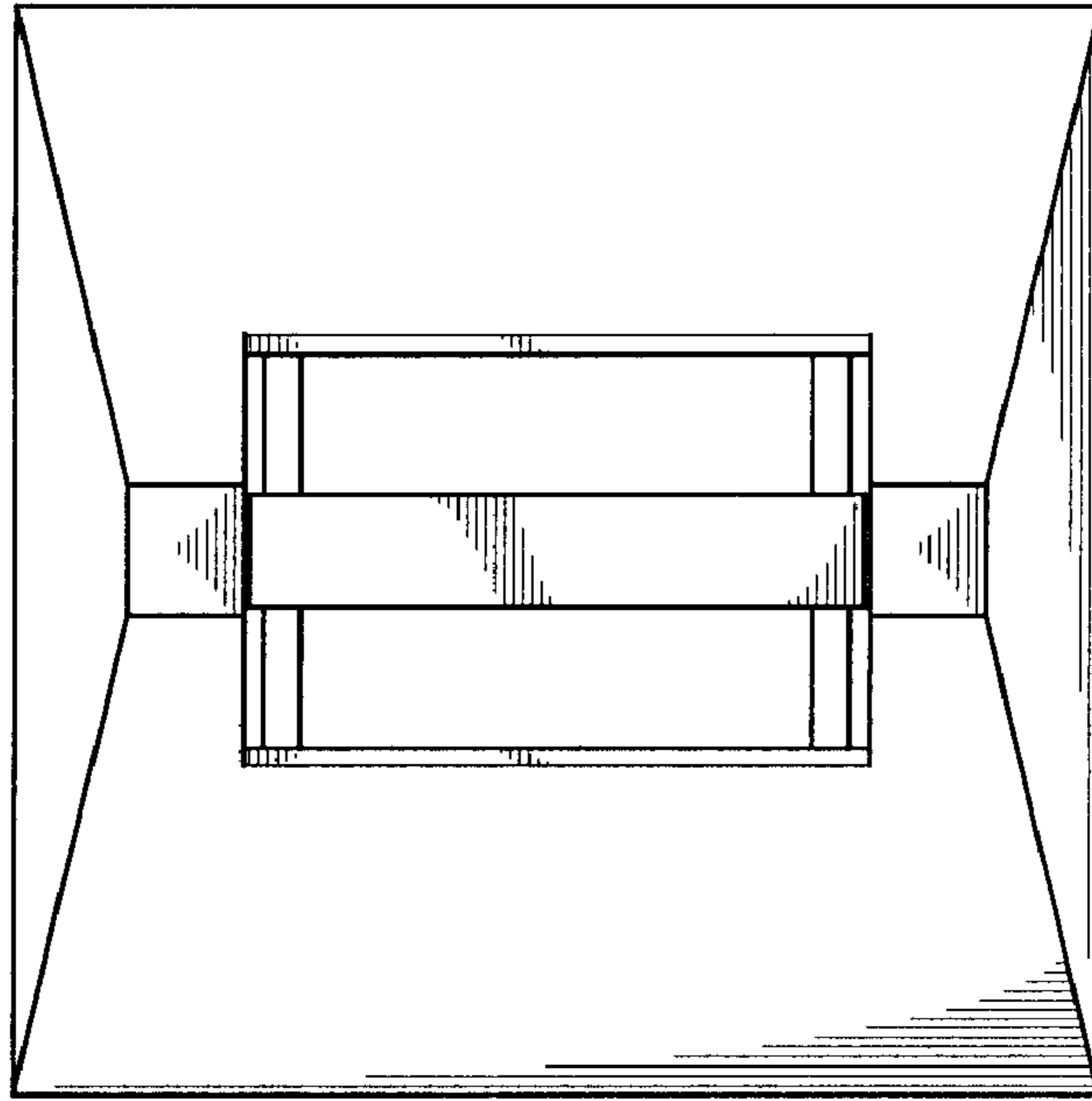


FIG. 6

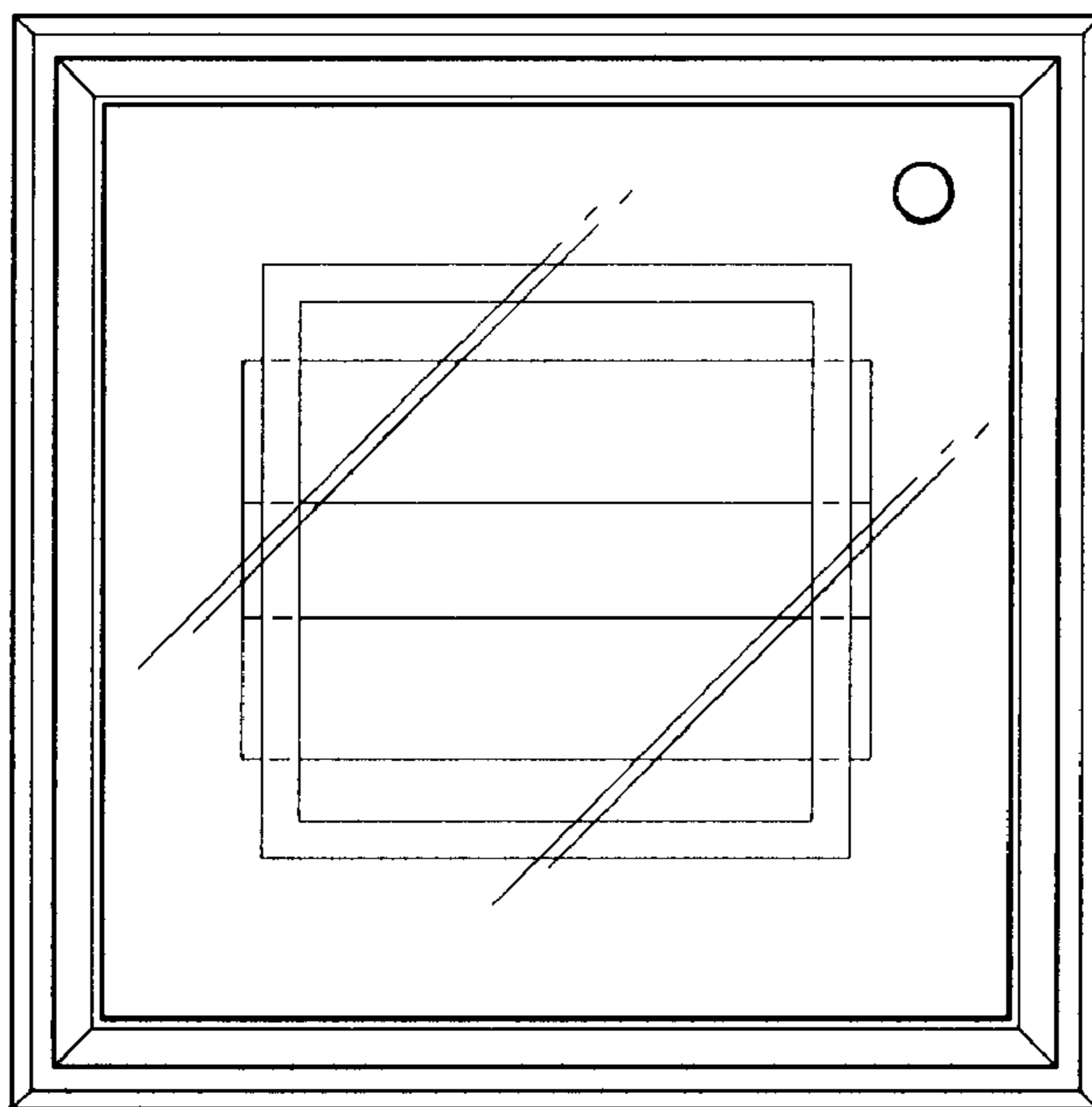


FIG. 7