



US00D520563S

(12) **United States Design Patent**
Killen et al.

(10) **Patent No.:** **US D520,563 S**

(45) **Date of Patent:** **** May 9, 2006**

(54) **ITEM KEEPER**

(76) Inventors: **Ann G. Killen**, 5602 State Route 270,
Pullman, WA (US) 99163; **Lizette J
Cosko**, 5602 State Route 270, Pullman,
WA (US) 99163

(**) Term: **14 Years**

(21) Appl. No.: **29/196,574**

(22) Filed: **Dec. 31, 2003**

(51) **LOC (8) Cl.** **19-02**

(52) **U.S. Cl.** **D19/75**

(58) **Field of Classification Search** D3/201,
D3/313; D6/570, 571; D9/756; D19/75, 77,
D19/78, 95; 206/214, 338, 340, 350, 371,
206/461, 558, 561, 564, 742, 818; 211/13.1;
221/212; D7/592, 600.1

See application file for complete search history.

(56) **References Cited**

U.S. PATENT DOCUMENTS

3,675,767 A * 7/1972 Taylor 206/162
4,378,889 A * 4/1983 Lebowitz 211/75
D286,968 S * 12/1986 Gecchelin D7/614
4,819,815 A * 4/1989 Tarlow et al. 211/74

5,232,103 A * 8/1993 Koenig et al. 211/69.5
D468,162 S 1/2003 Martin
D469,926 S * 2/2003 Petruccelli D28/73
D495,212 S * 8/2004 Martin D7/592

* cited by examiner

Primary Examiner—Caron D. Veynar

Assistant Examiner—Elizabeth Albert

(74) *Attorney, Agent, or Firm*—Duncan Palmatier

(57) **CLAIM**

The ornamental design for an item keeper, as shown and described.

DESCRIPTION

FIG. 1 is a perspective view of an item keeper showing my new design.

FIG. 2 is a front elevation thereof.

FIG. 3 is a side elevation thereof.

FIG. 4 is a top plan view thereof.

FIG. 5 is a bottom plan view thereof; and,

FIG. 6 is an exploded perspective view showing a keeper detached from the base.

The interior pattern around the band on the lids is for information purposes only and forms no part of the claimed design.

1 Claim, 4 Drawing Sheets

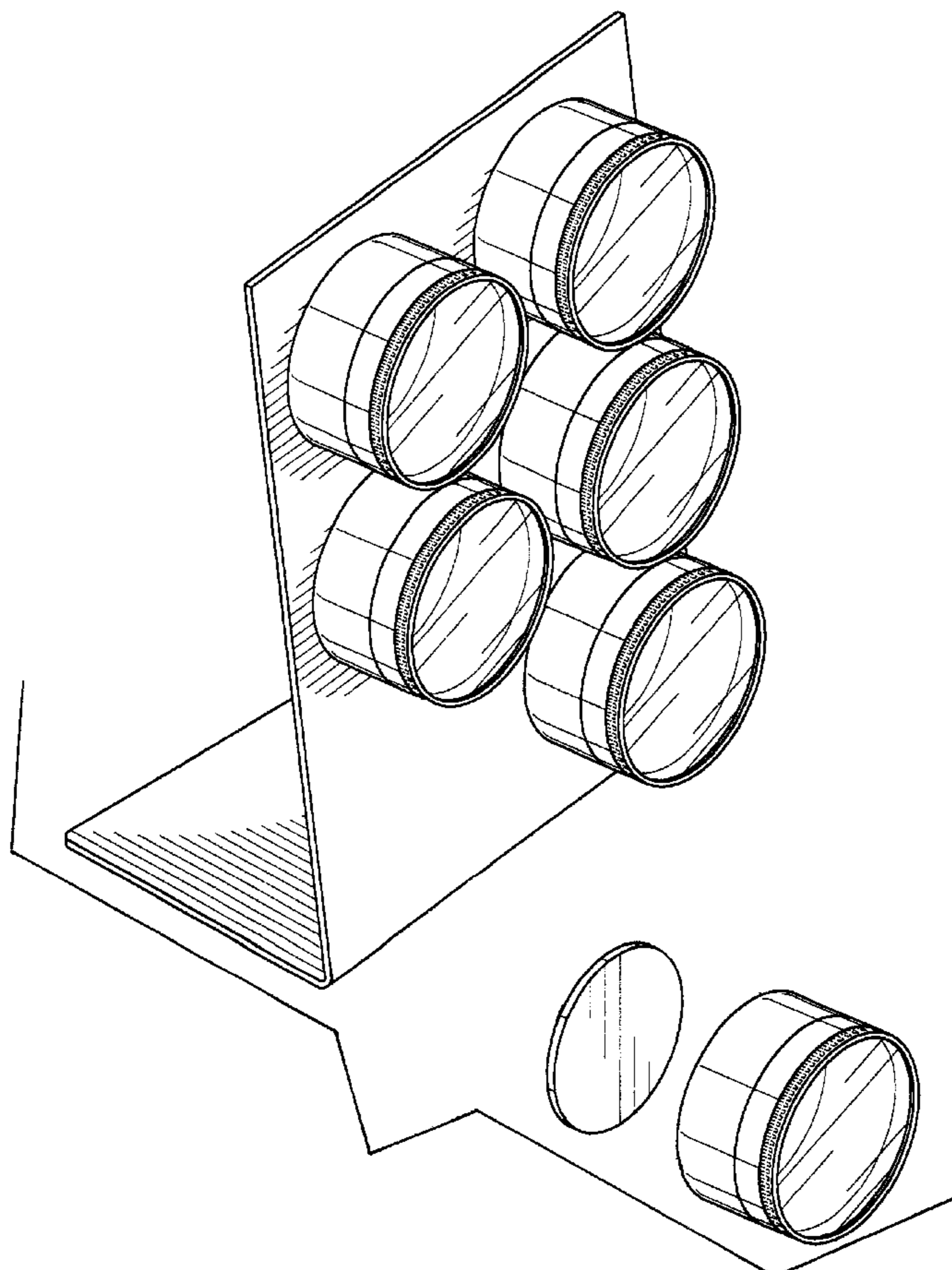


FIG. 1

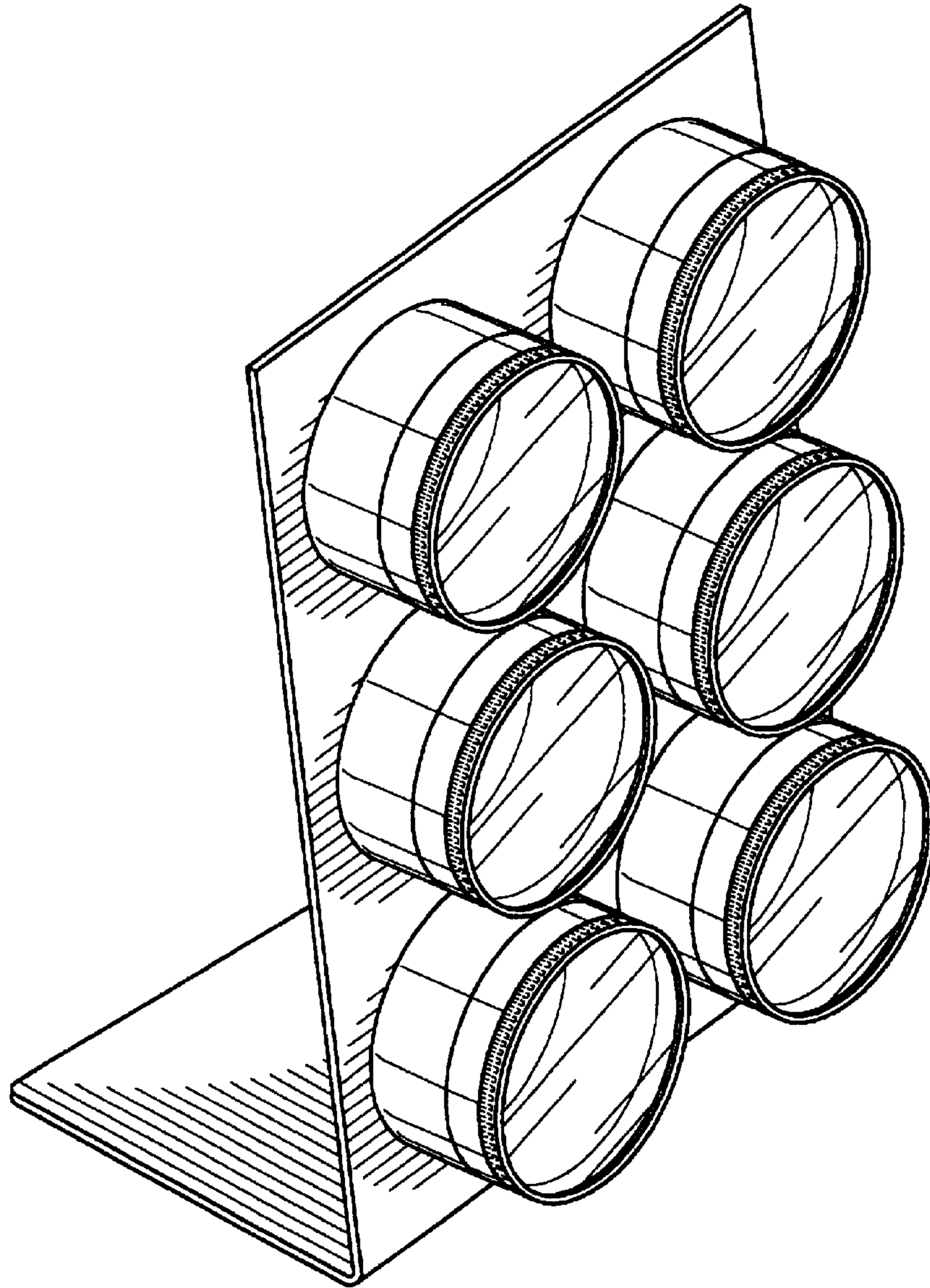


FIG. 3

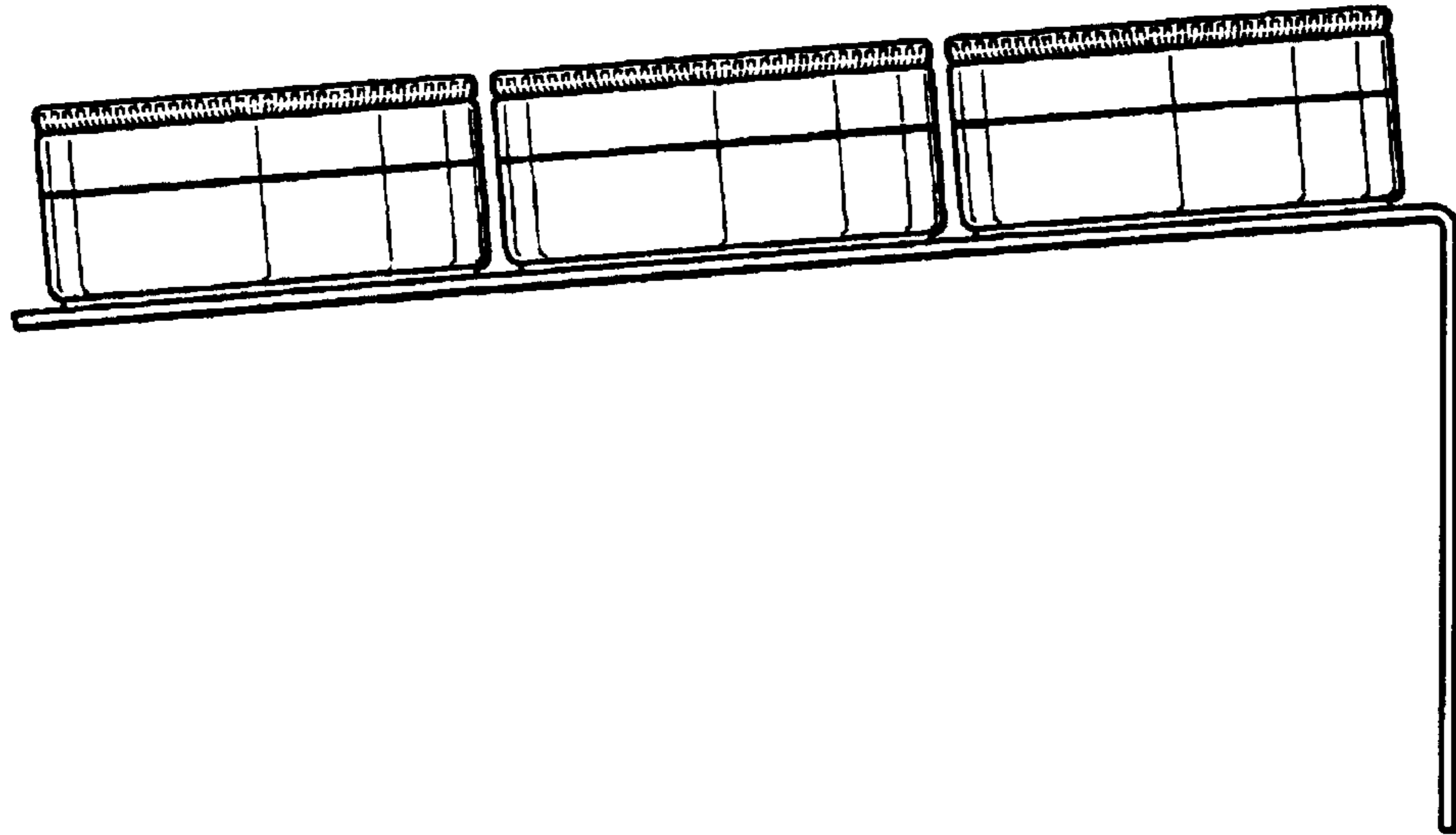


FIG. 2

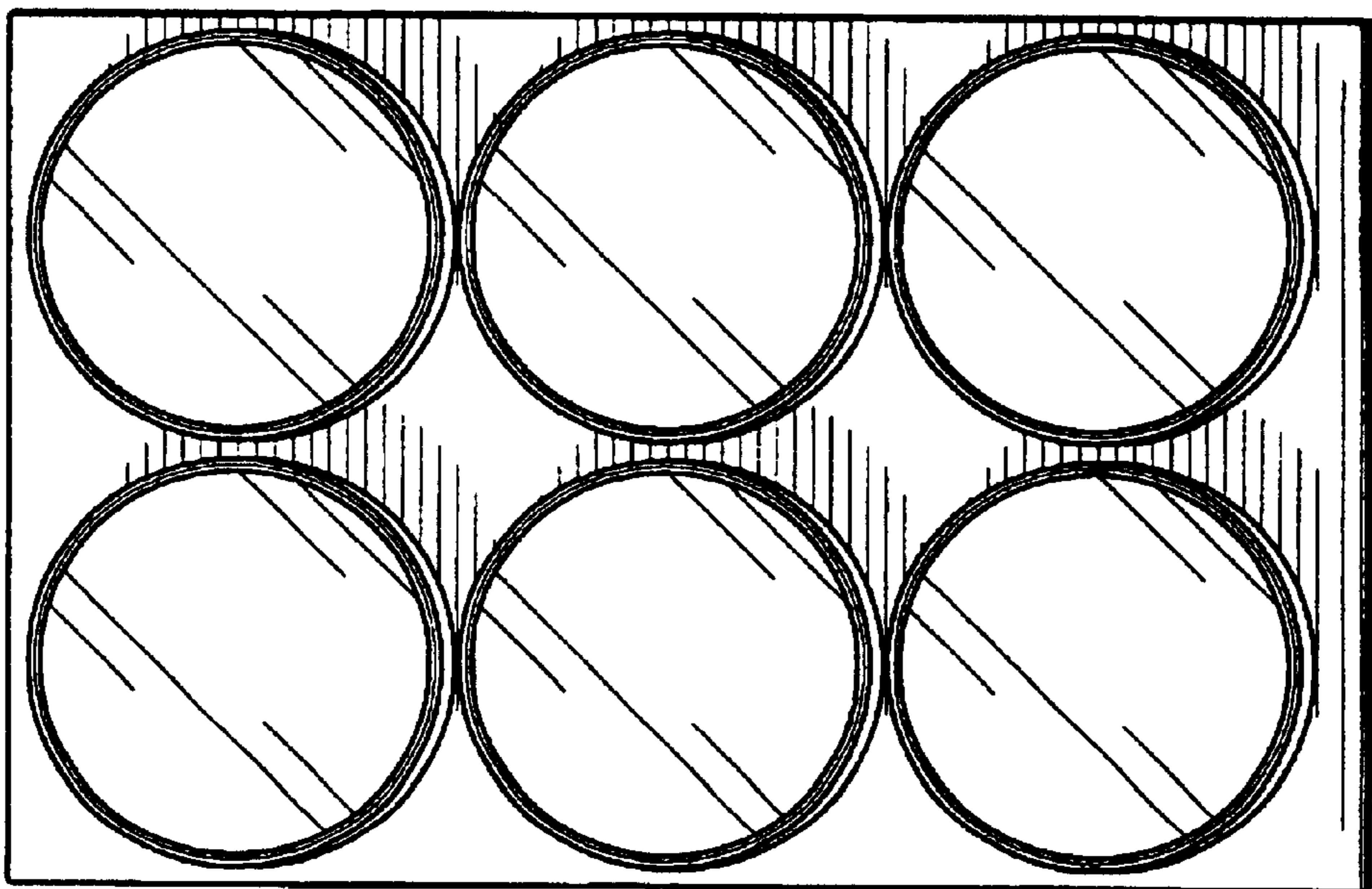


FIG.4

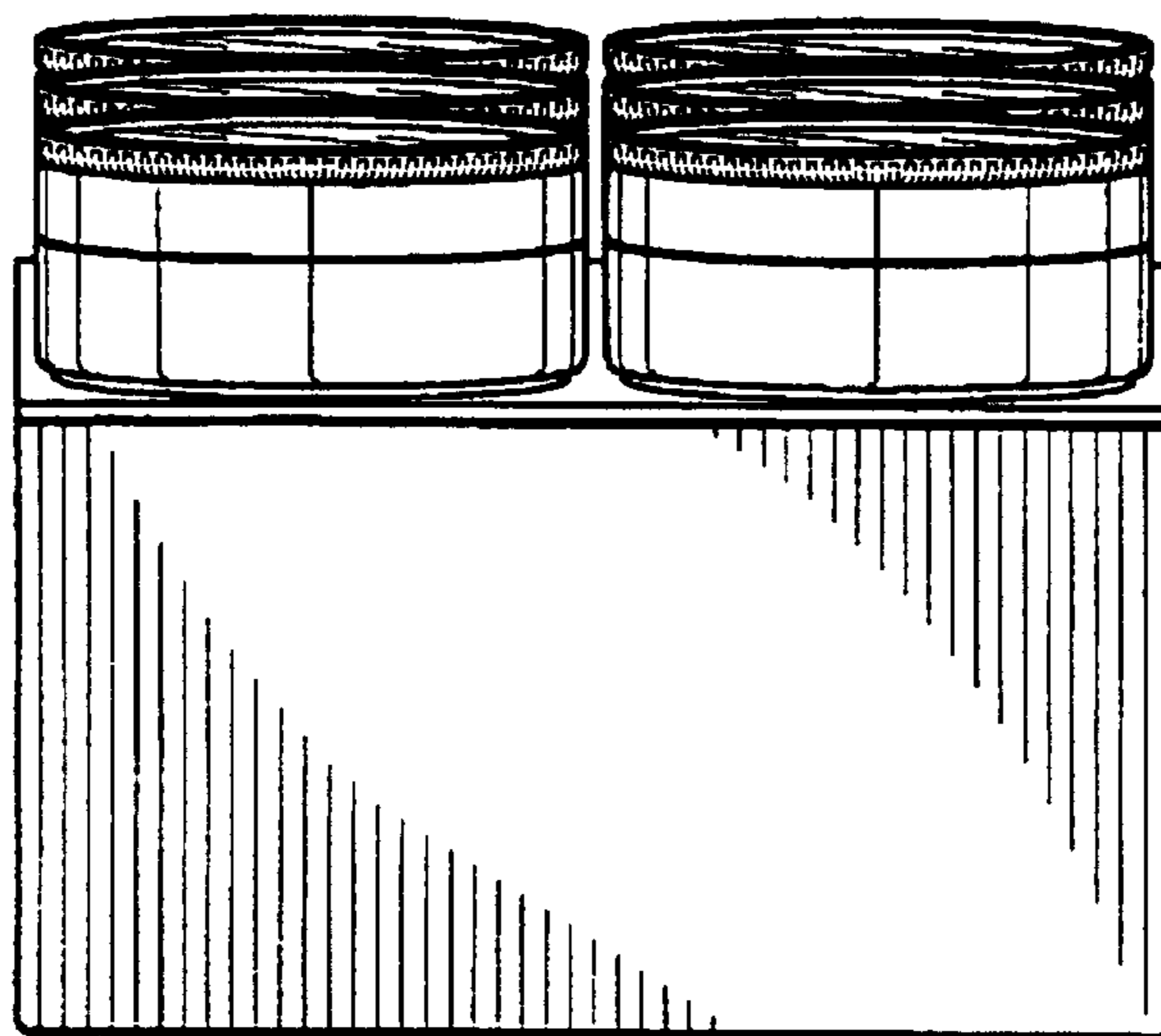


FIG.5

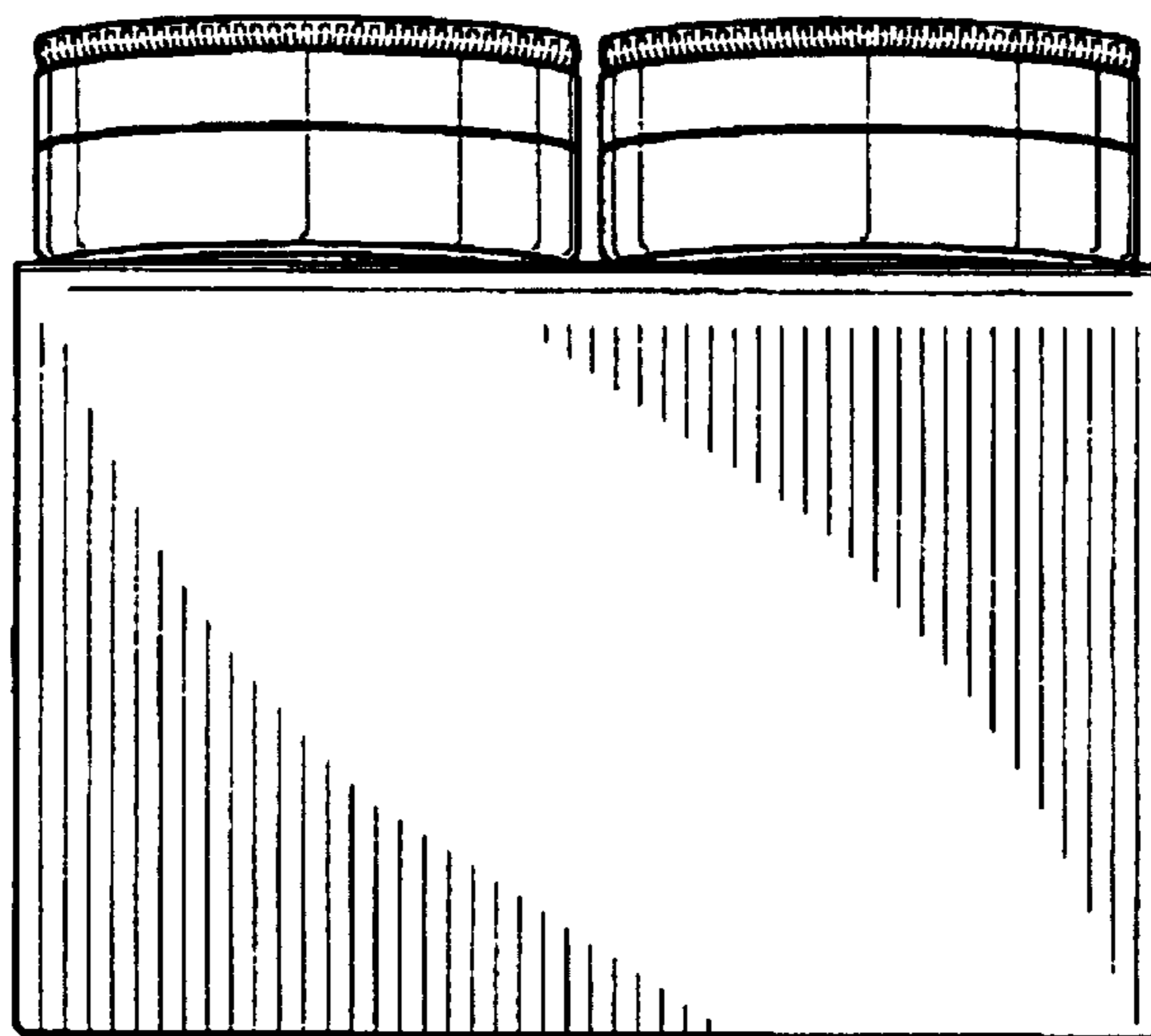


FIG. 6

