

US00D520562S

(12) **United States Design Patent**
Nash

(10) **Patent No.:** **US D520,562 S**

(45) **Date of Patent:** **** May 9, 2006**

(54) **FOLDING DRY ERASE BOARD**

(75) Inventor: **James E. Nash**, Bloomington, MN
(US)

(73) Assignee: **3M Innovative Properties Company**,
St. Paul, MN (US)

(**) Term: **14 Years**

(21) Appl. No.: **29/230,773**

(22) Filed: **May 26, 2005**

| | | | | |
|-------------|---|---------|------------------|--------|
| D346,067 S | * | 4/1994 | Bell et al. | D6/300 |
| 5,351,928 A | | 10/1994 | Cooper et al. | |
| 5,397,091 A | | 3/1995 | Tsuar | |
| D366,280 S | | 1/1996 | Henderson | |
| 5,501,603 A | | 3/1996 | Mueller et al. | |
| 5,518,217 A | | 5/1996 | Deutsch et al. | |
| 5,565,253 A | | 10/1996 | Crawford et al. | |
| 5,571,617 A | | 11/1996 | Cooprider et al. | |
| 5,626,478 A | | 5/1997 | Gatlin | |
| 5,720,464 A | | 2/1998 | Meinscher et al. | |
| D391,987 S | | 3/1998 | Jambhekar et al. | |
| 5,743,414 A | | 4/1998 | Baudino | |

(Continued)

Related U.S. Application Data

(62) Division of application No. 29/210,038, filed on Jul. 26, 2004, now Pat. No. Des. 509,247.

(51) **LOC (8) Cl.** **19-06**

(52) **U.S. Cl.** **D19/52**

(58) **Field of Classification Search** D6/300;
D19/36, 52, 87, 88, 90, 91; D20/10, 42; 40/1,
40/124.01, 611.02, 606.1; 428/455; 434/408,
434/409, 415, 417, 421, 422, 425, 428; 248/460
See application file for complete search history.

(56) **References Cited**

U.S. PATENT DOCUMENTS

| | | |
|-------------|---------|-----------------|
| 165,747 A | 7/1875 | Meigs, Jr. |
| 227,662 A | 5/1880 | Thompson |
| 3,011,988 A | 12/1961 | Luedke |
| 3,691,140 A | 9/1972 | Silver |
| D232,231 S | 7/1974 | Langieri |
| D246,180 S | 10/1977 | Yamachi |
| 4,584,356 A | 4/1986 | Crivello |
| 4,728,571 A | 3/1988 | Clemens |
| 4,773,786 A | 9/1988 | Pozzobon |
| 4,828,502 A | 5/1989 | Leahy |
| 4,885,332 A | 12/1989 | Bilkadi |
| 5,028,075 A | 7/1991 | Donnelly |
| 5,045,569 A | 9/1991 | Delgado |
| 5,104,929 A | 4/1992 | Bilkadi |
| 5,153,041 A | 10/1992 | Clements et al. |
| 5,163,845 A | 11/1992 | Blassingame |
| D332,466 S | 1/1993 | Logan |

FOREIGN PATENT DOCUMENTS

WO WO 94/19420 9/1994

Primary Examiner—Caron D. Veynar
Assistant Examiner—Elizabeth Albert

(57) **CLAIM**

The ornamental design for a folding dry erase board, as shown and described.

DESCRIPTION

FIG. 1 is an isometric view of a folding dry erase board according to the present invention;

FIG. 2 is a front view of the folding dry erase board illustrated in FIG. 1, the rear view being the mirror image thereof;

FIG. 3 is a back view of the folding dry erase board illustrated in FIG. 1;

FIG. 4 is a top view of the folding dry erase board illustrated in FIG. 1;

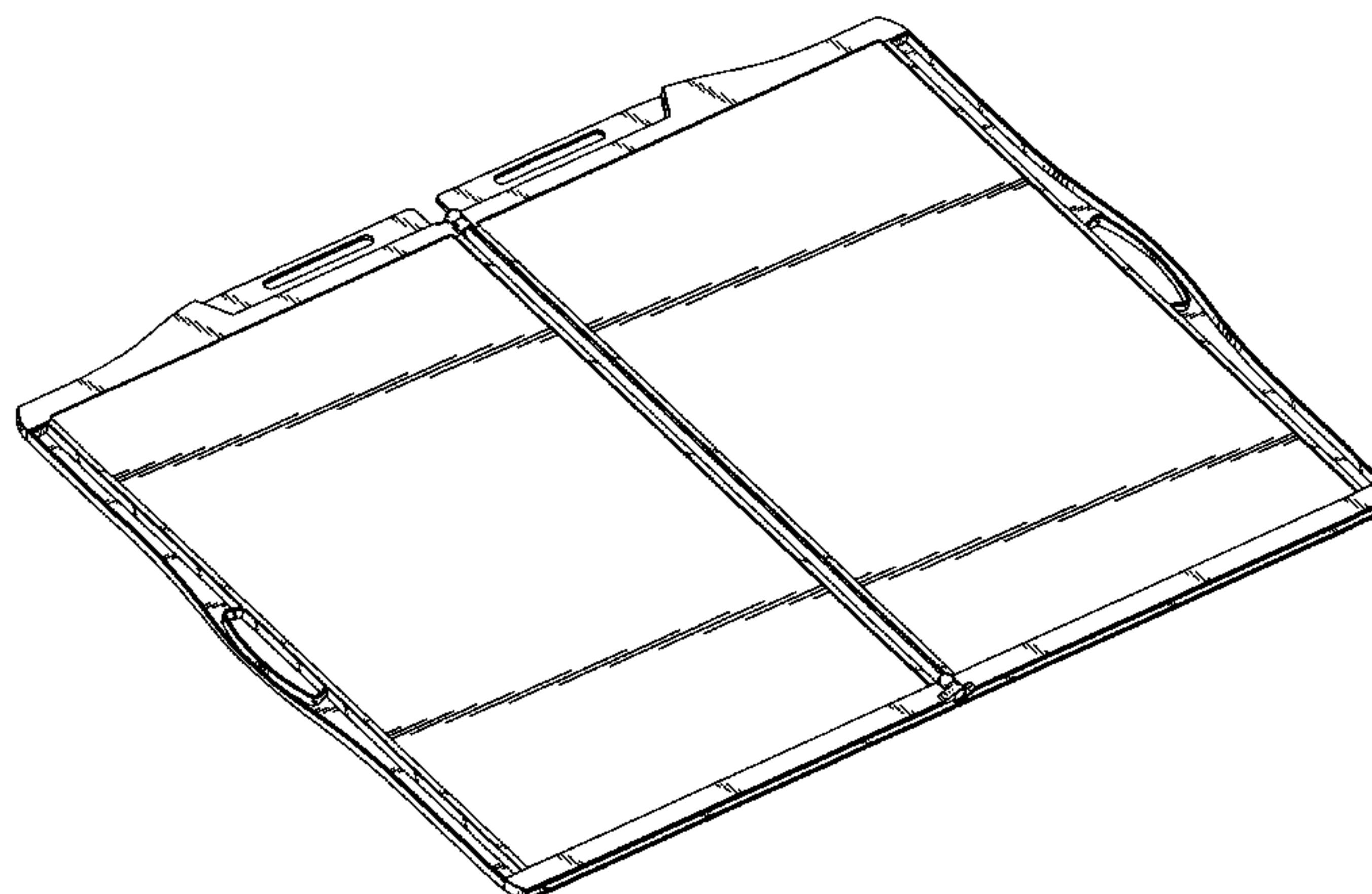
FIG. 5 is a bottom view of the folding dry erase board illustrated in FIG. 1;

FIG. 6 is a left side view of the folding dry erase board illustrated in FIG. 1;

FIG. 7 is a right side view of the folding dry erase board illustrated in FIG. 1; and,

FIG. 8 is an isometric view of the folding dry erase board illustrated in FIG. 1, shown in a folded position.

1 Claim, 6 Drawing Sheets



US D520,562 S

Page 2

U.S. PATENT DOCUMENTS

| | | | | | | |
|-------------|---------|---------------|-----------------|---------|----------------|---------|
| D399,526 S | 10/1998 | Brady | 6,164,976 A | 12/2000 | Wilson | |
| 5,824,748 A | 10/1998 | Kesti et al. | 6,241,528 B1 * | 6/2001 | Myers | 434/408 |
| D400,578 S | 11/1998 | Takemura | 6,263,602 B1 | 7/2001 | Seiber et al. | |
| 5,941,713 A | 8/1999 | Wayner et al. | 6,265,061 B1 | 7/2001 | Kang et al. | |
| 5,947,437 A | 9/1999 | Tate et al. | 6,458,462 B1 | 10/2002 | Kang et al. | |
| 5,987,825 A | 11/1999 | Rosen | 6,527,243 B1 * | 3/2003 | Kume, Jr. | 248/448 |
| 5,989,676 A | 11/1999 | Davis et al. | 2001/0040207 A1 | 11/2001 | Richardson | |

* cited by examiner

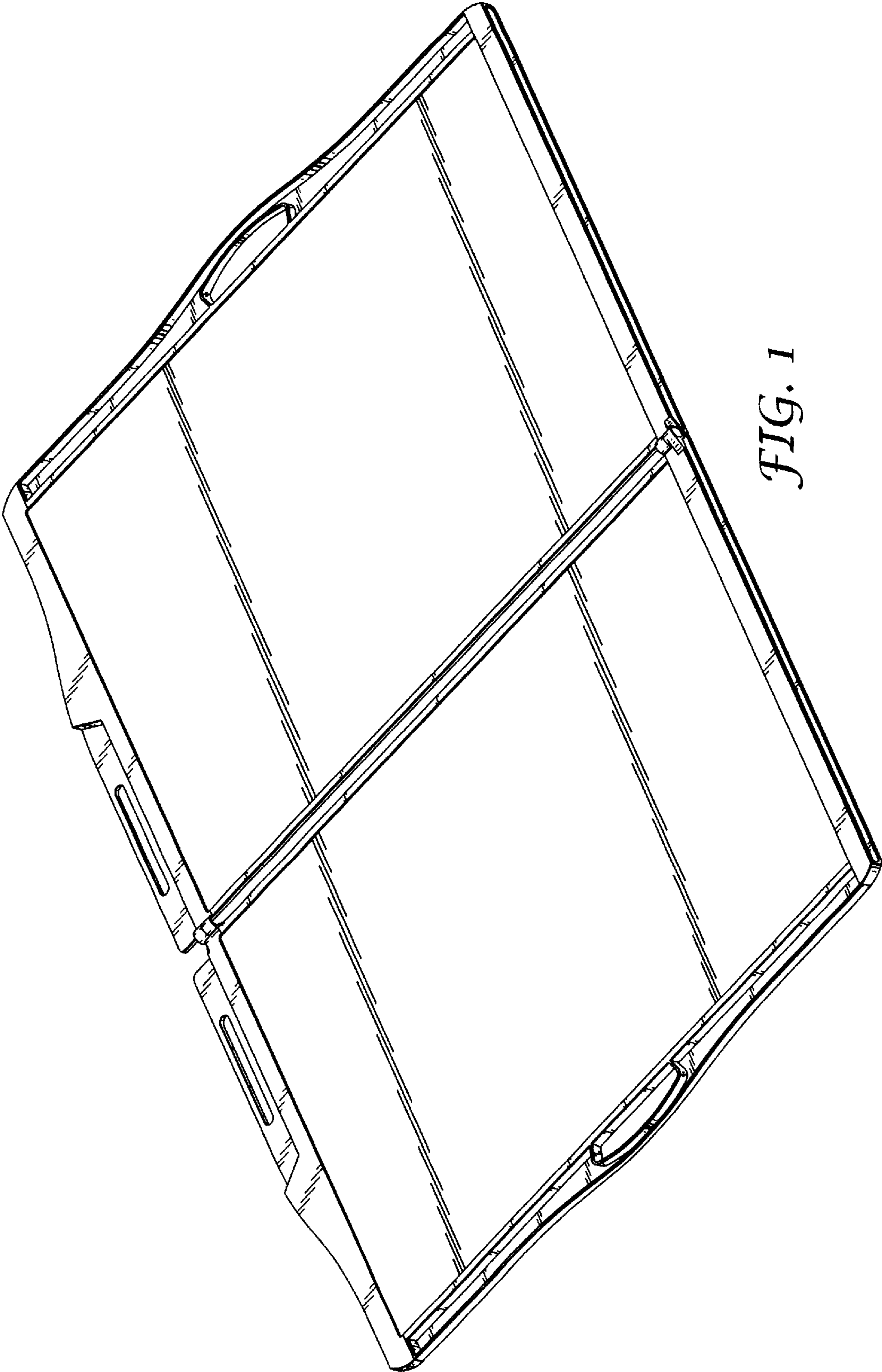


FIG. 1

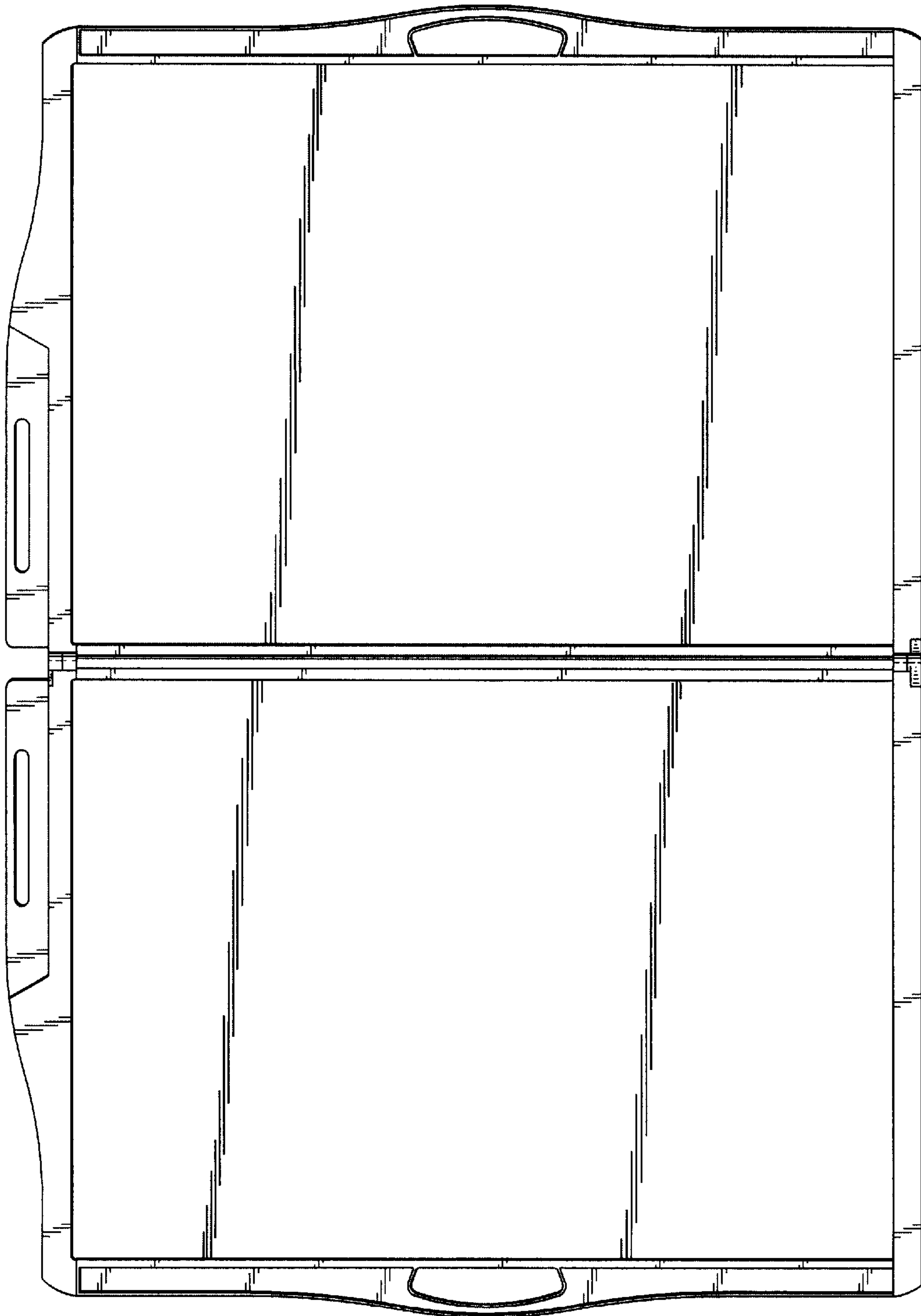


FIG. 2

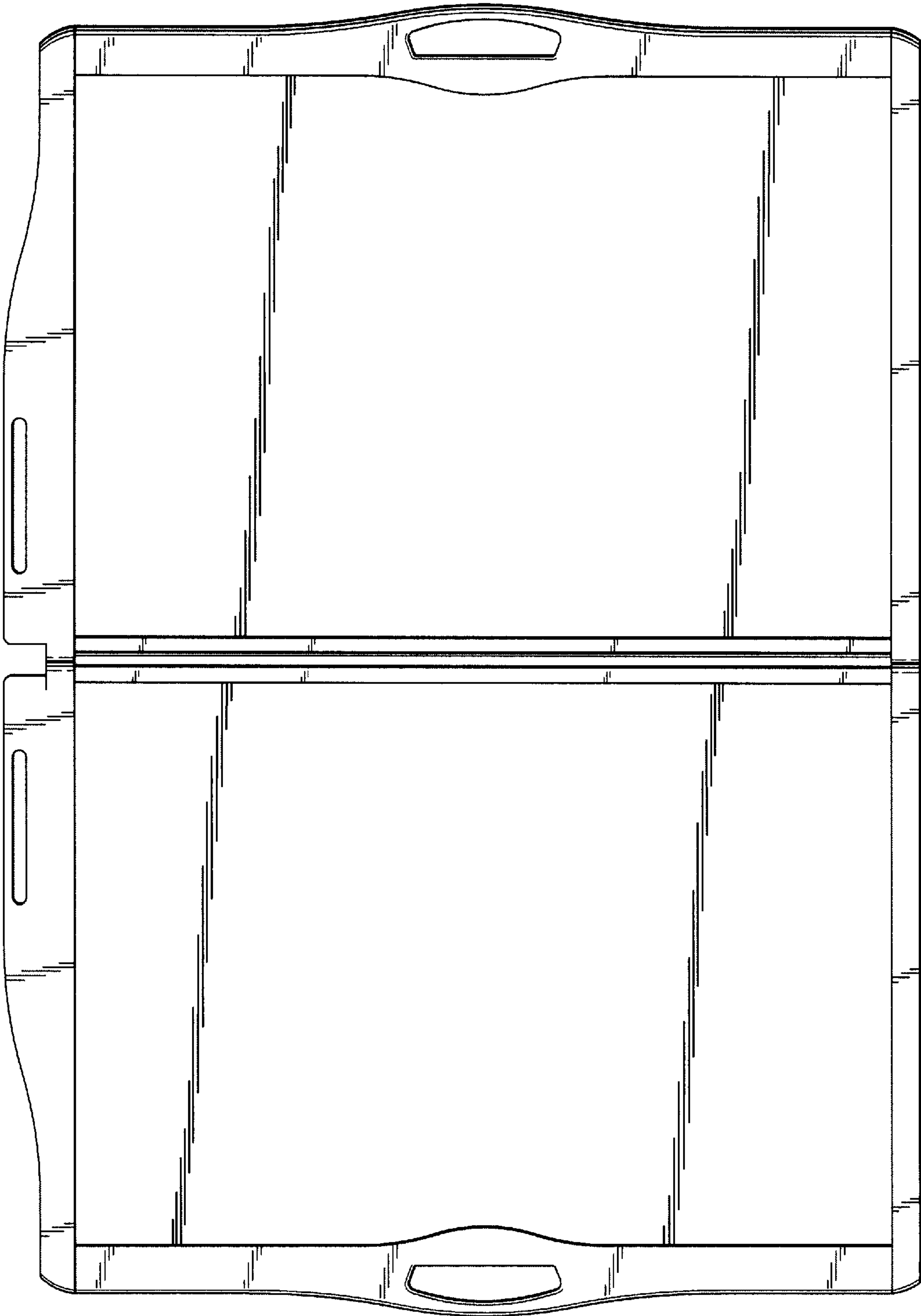


FIG. 3



FIG. 4



FIG. 5

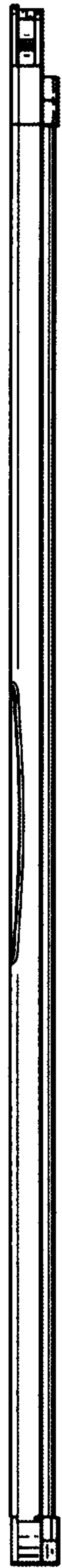


FIG. 6



FIG. 7

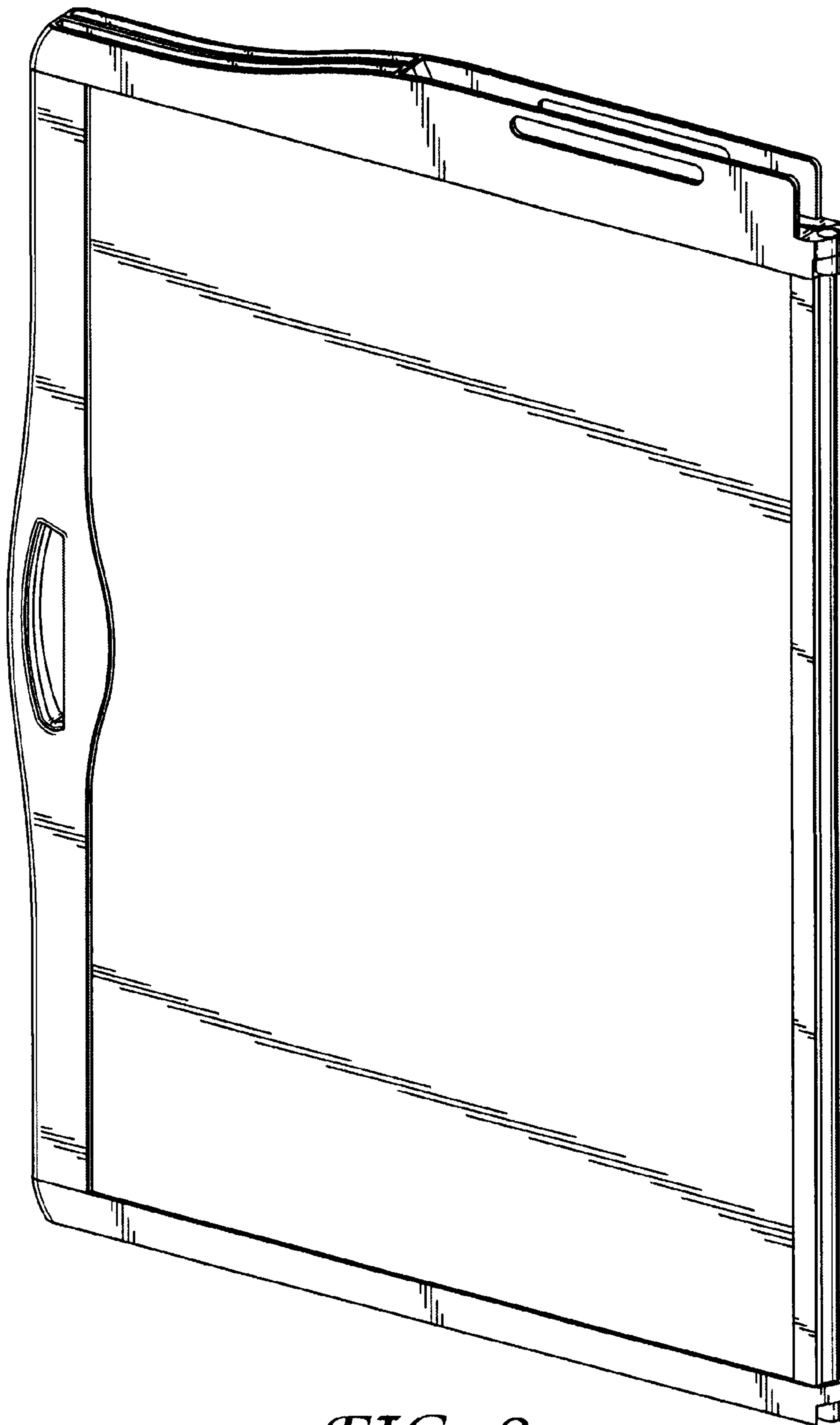


FIG. 8