



US00D520552S

(12) **United States Design Patent** (10) **Patent No.:** **US D520,552 S**
Miyashita et al. (45) **Date of Patent:** **** May 9, 2006**

(54) **CONTAINER FOR PROJECTOR DISPLAY PANEL**

(75) Inventors: **Tomoaki Miyashita**, Shimosuwa-machi (JP); **Hiroyuki Kojima**, Suwa (JP); **Hiromi Saitoh**, Chino (JP)

(73) Assignee: **Seiko Epson Corporation**, Tokyo (JP)

(**) Term: **14 Years**

(21) Appl. No.: **29/236,940**

(22) Filed: **Aug. 25, 2005**

Related U.S. Application Data

(62) Division of application No. 29/203,889, filed on Apr. 22, 2004.

(51) **LOC (8) Cl.** **16-02**

(52) **U.S. Cl.** **D16/235**

(58) **Field of Classification Search** D14/374;
D16/221, 225, 232, 235, 236; 353/115, 119,
353/122, DIG. 5

See application file for complete search history.

(56) **References Cited**

U.S. PATENT DOCUMENTS

4,728,184 A	3/1988	Kyhl
D321,361 S	11/1991	Lino
D324,210 S	2/1992	Vossoughi et al.

5,227,820 A	7/1993	Miyashita et al.
D348,685 S	* 7/1994	Miyazawa D16/236
5,337,103 A	8/1994	Gulick
D359,030 S	* 6/1995	Gildea et al. D16/235
D361,586 S	* 8/1995	Noda D16/236
D379,362 S	5/1997	Marfori et al.
D392,628 S	* 3/1998	Hayashi D14/374
D453,158 S	* 1/2002	Chen D16/235
6,731,354 B1	5/2004	Menard

* cited by examiner

Primary Examiner—Adir Aronovich

(74) *Attorney, Agent, or Firm*—Oliff & Berridge, PLC

(57) **CLAIM**

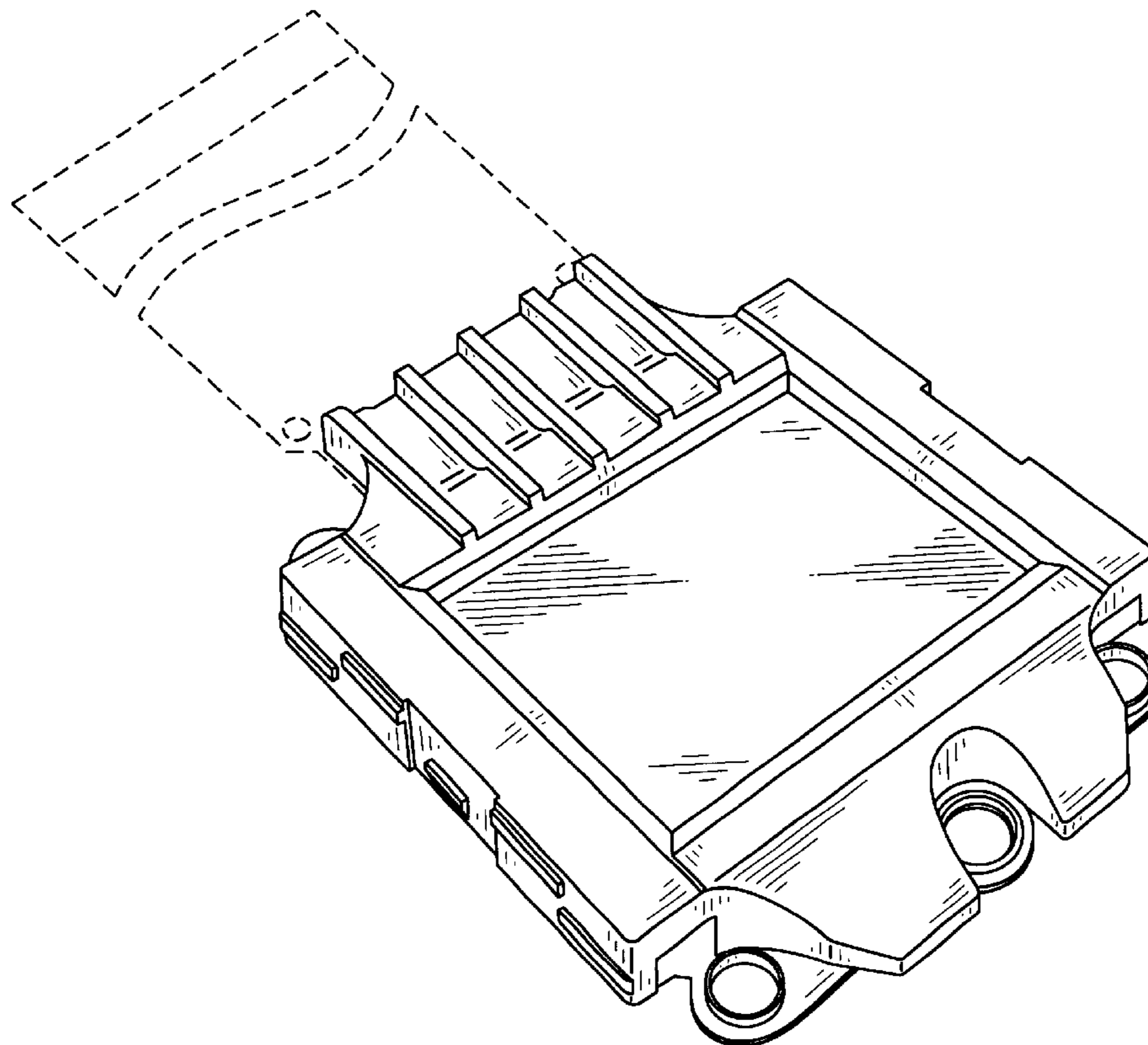
The ornamental design for a container for projector display panel, as shown and described.

DESCRIPTION

FIG. 1 is a perspective view of a container for projector display panel;
 FIG. 2 is a front view thereof;
 FIG. 3 is a rear view thereof;
 FIG. 4 is a top view thereof;
 FIG. 5 is a bottom view thereof;
 FIG. 6 is a left side view thereof; and,
 FIG. 7 is a right side view thereof.

The broken line showing is for illustrative purposes only and forms no part of the claimed design.

1 Claim, 4 Drawing Sheets



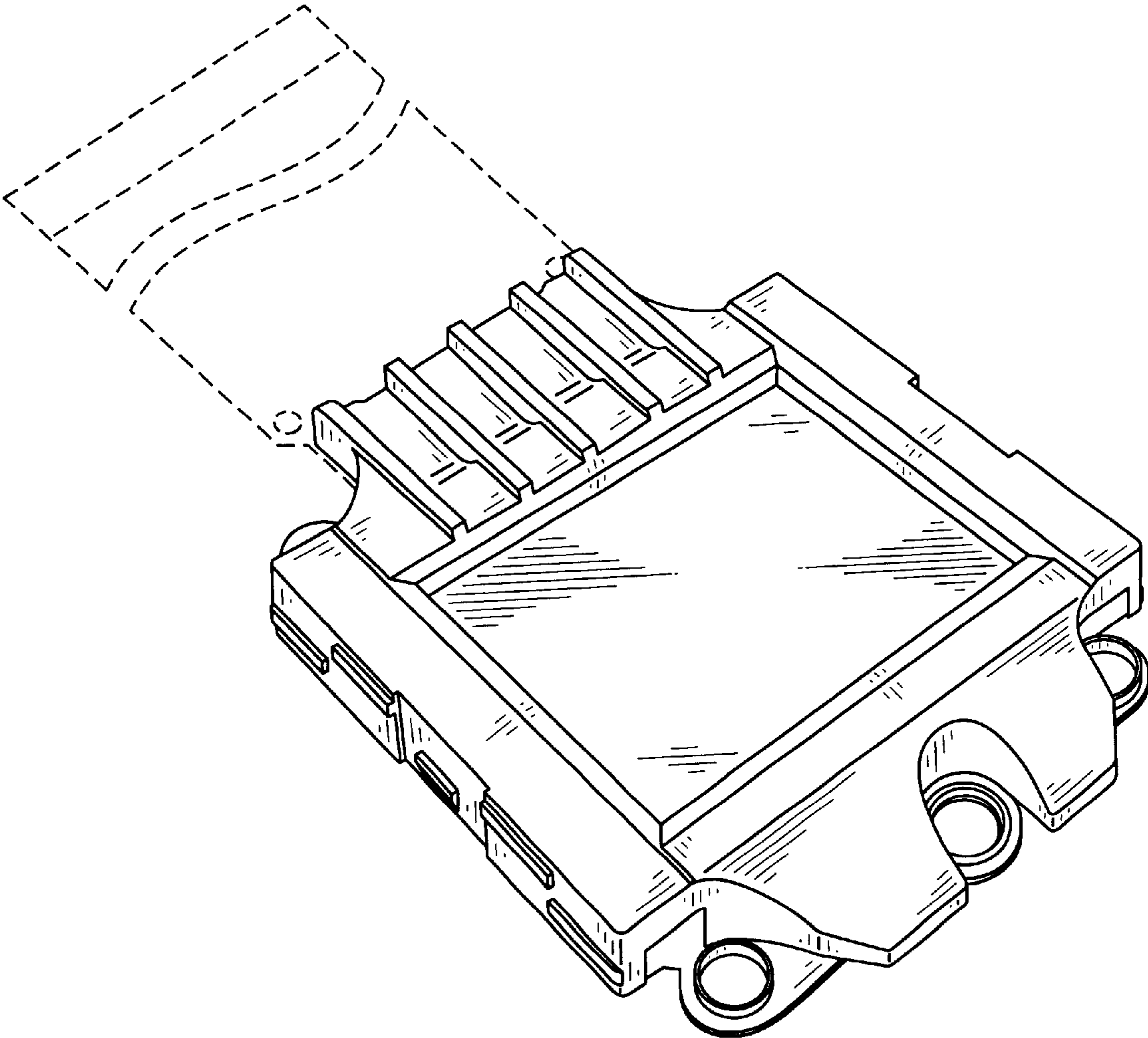


FIG. 1

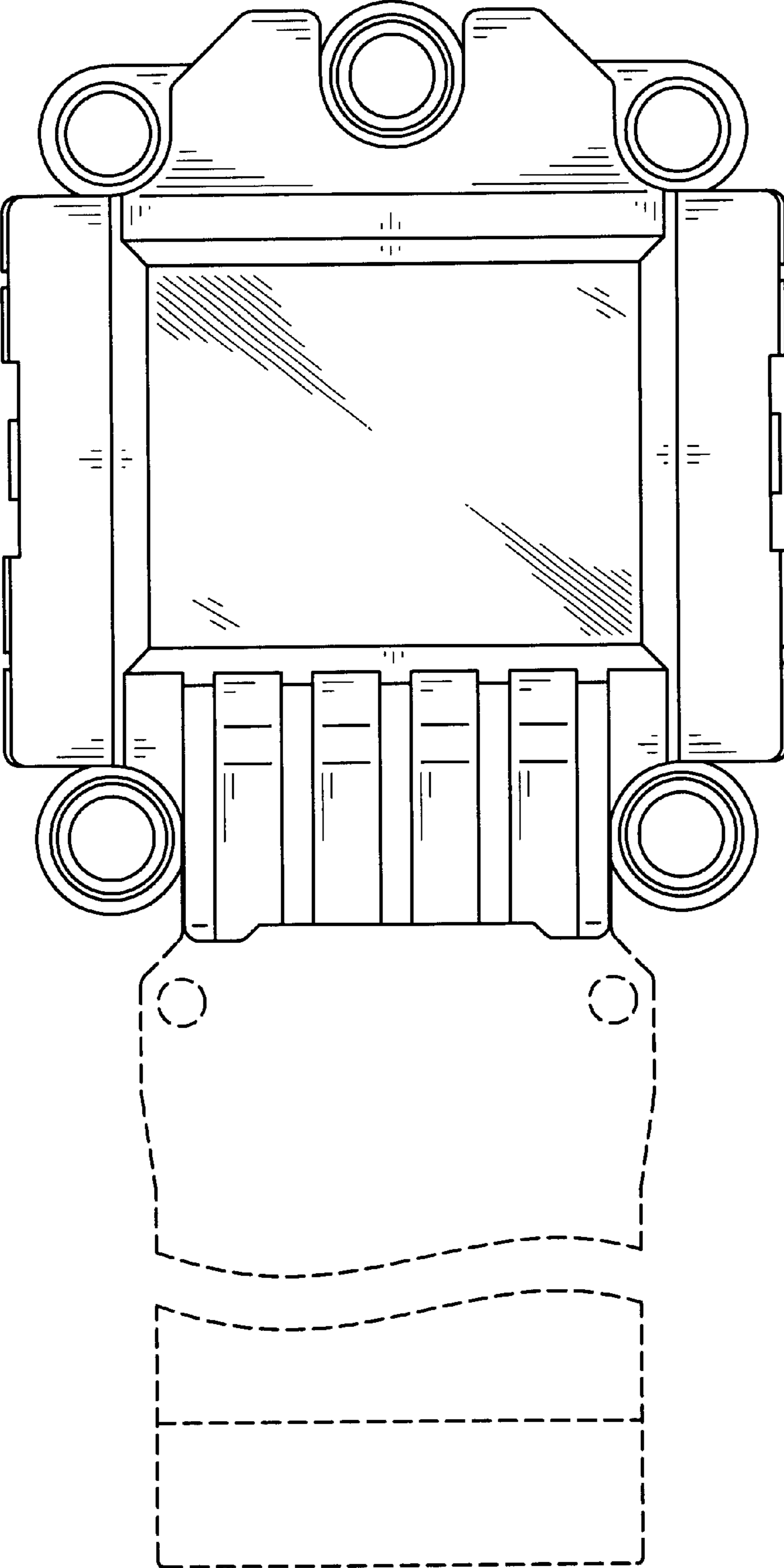


FIG. 2

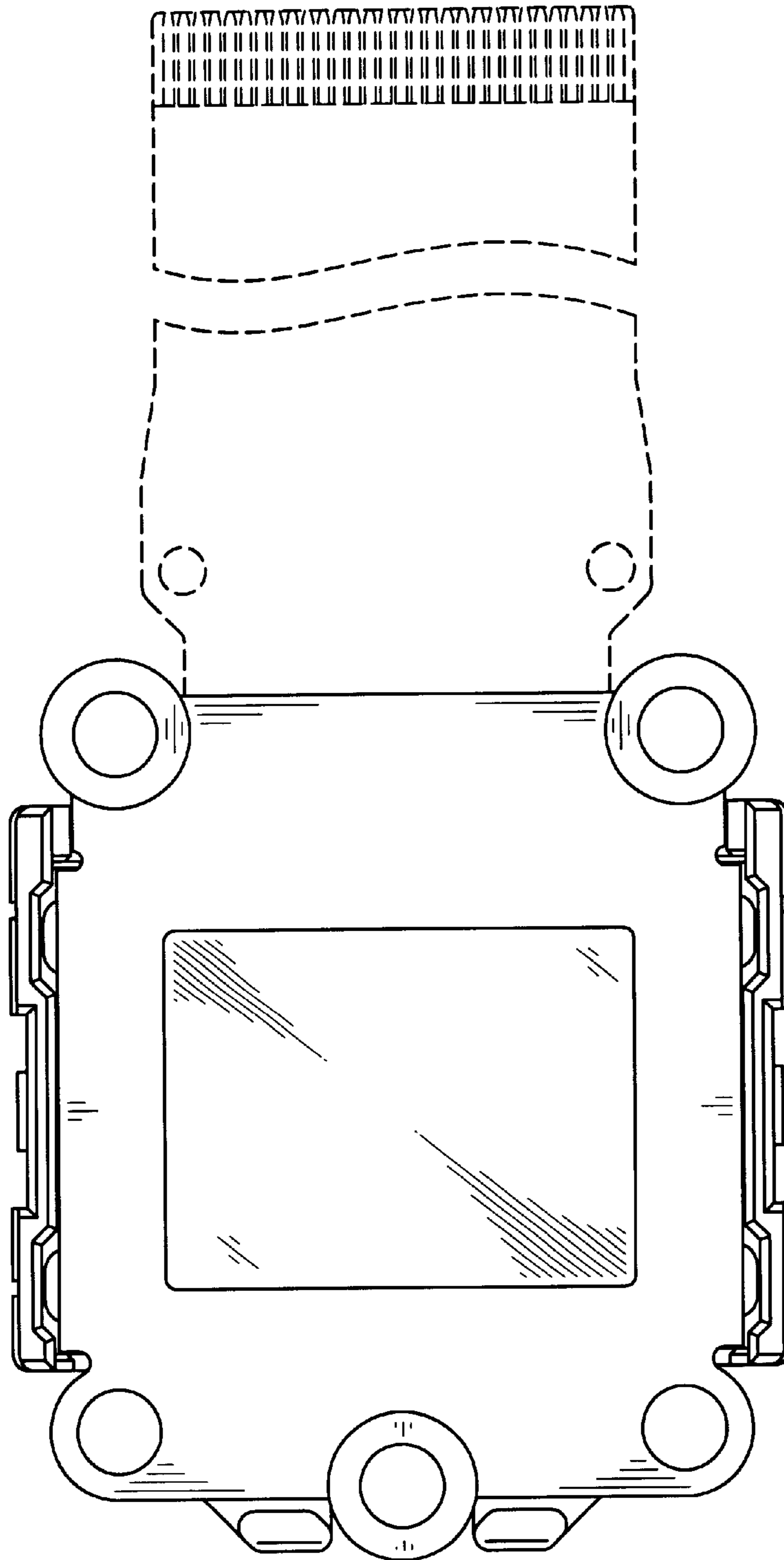


FIG. 3

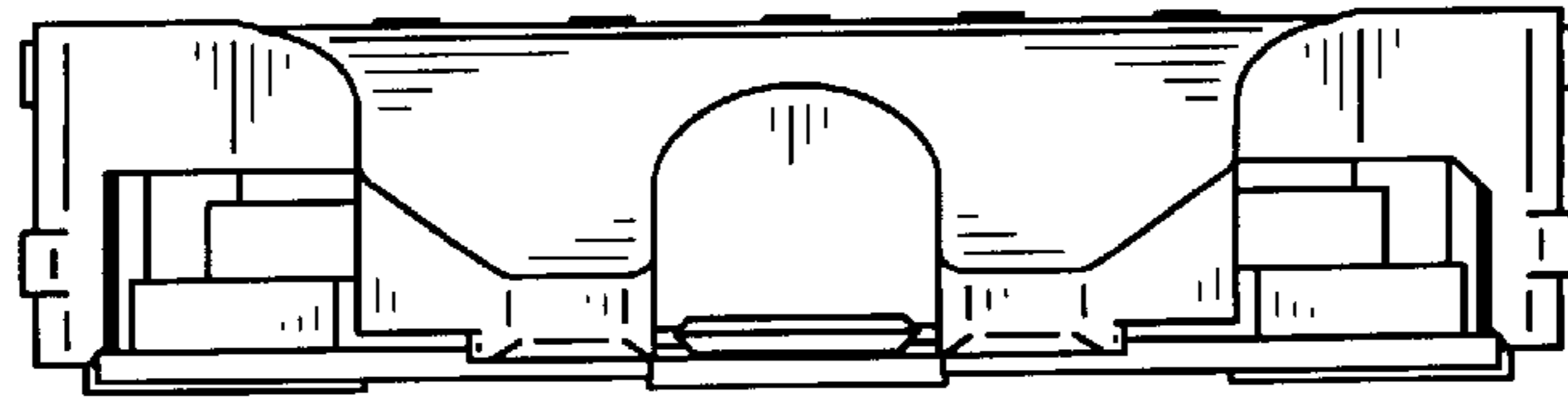


FIG. 4

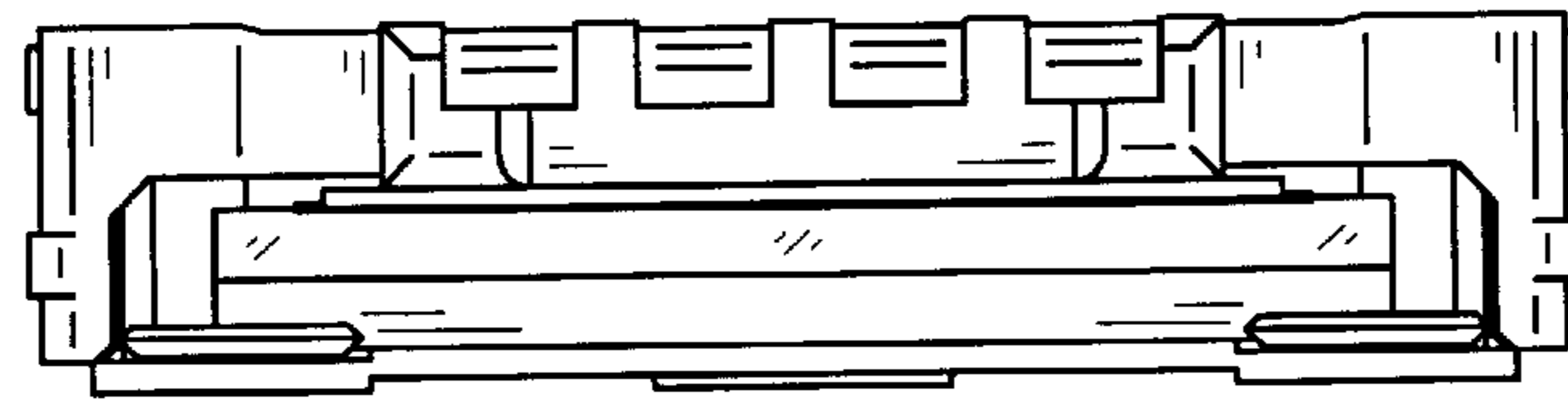


FIG. 5

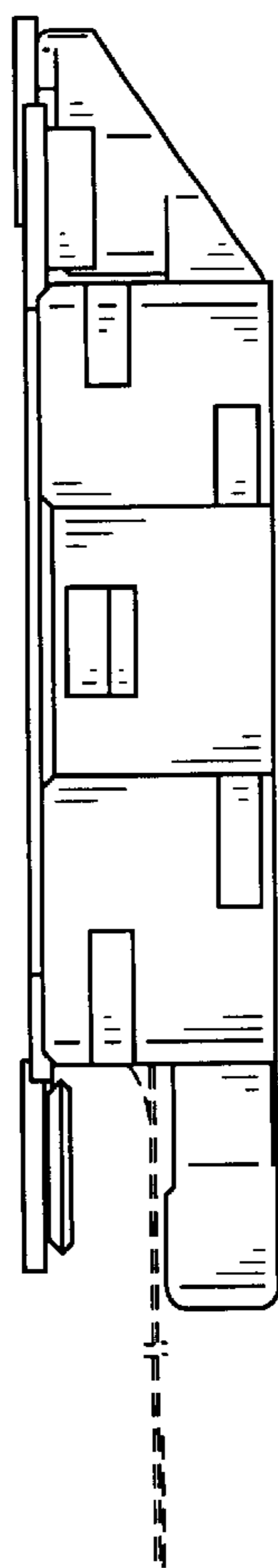


FIG. 6

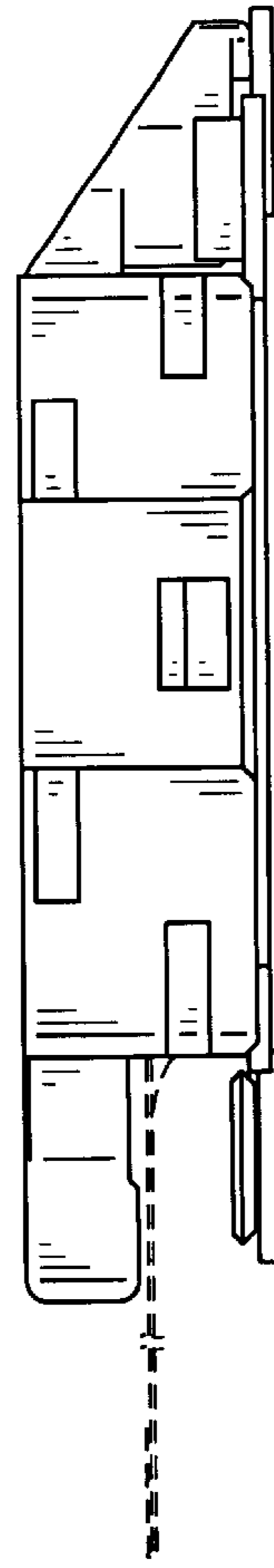


FIG. 7