



US00D520551S

(12) **United States Design Patent** (10) **Patent No.:** **US D520,551 S**
Salvatori et al. (45) **Date of Patent:** **** May 9, 2006**

(54) **PROJECTION DEVICE**

(75) Inventors: **Phillip H. Salvatori**, Salem, OR (US);
Danny Han, Tigard, OR (US); **Richard C. Schoenert**, Sherwood, OR (US)

(73) Assignee: **InFocus Corporation**, Wilsonville, OR (US)

(**) Term: **14 Years**

(21) Appl. No.: **29/182,916**

(22) Filed: **Jun. 2, 2003**

(51) **LOC (8) Cl.** **16-02**

(52) **U.S. Cl.** **D16/235; D16/230**

(58) **Field of Classification Search** D16/205,
D16/208, 221, 225, 229, 230, 231, 234; D21/514;
353/115, 119, 122

See application file for complete search history.

(56) **References Cited**

U.S. PATENT DOCUMENTS

- D350,147 S * 8/1994 Ina D16/230
- D387,795 S 12/1997 Sakamoto
- D389,503 S 1/1998 Shimizu et al.
- D437,337 S 2/2001 Kawasaki et al.
- D443,630 S 6/2001 Salvatori
- D449,060 S 10/2001 Saeki et al.
- D450,076 S * 11/2001 Fujimaki D16/230
- D464,074 S 10/2002 Miyazaki
- 6,488,380 B1 12/2002 Fujimori
- 6,491,399 B1 * 12/2002 Fujimori 353/119
- D470,525 S 2/2003 Nakayama et al.
- D472,570 S 4/2003 Takahashi

- 6,547,396 B1 4/2003 Svardal et al.
- D475,389 S * 6/2003 Kurokawa D16/230
- D477,833 S * 7/2003 Kurokawa et al. D16/230
- 6,683,654 B1 * 1/2004 Haijima 348/374
- 2002/0140909 A1 10/2002 Tanaka

FOREIGN PATENT DOCUMENTS

WO DM/058129 11/2001

* cited by examiner

Primary Examiner—Adir Aronovich

(74) *Attorney, Agent, or Firm*—Alleman Hall McCoy

(57) **CLAIM**

The ornamental design for a projection device, as shown and described.

DESCRIPTION

FIG. 1 is a front perspective view of a projection device according to the present invention.

FIG. 2 is a rear perspective view thereof.

FIG. 3 is a top view thereof.

FIG. 4 is a bottom view thereof.

FIG. 5 is a front view thereof.

FIG. 6 is a rear view thereof.

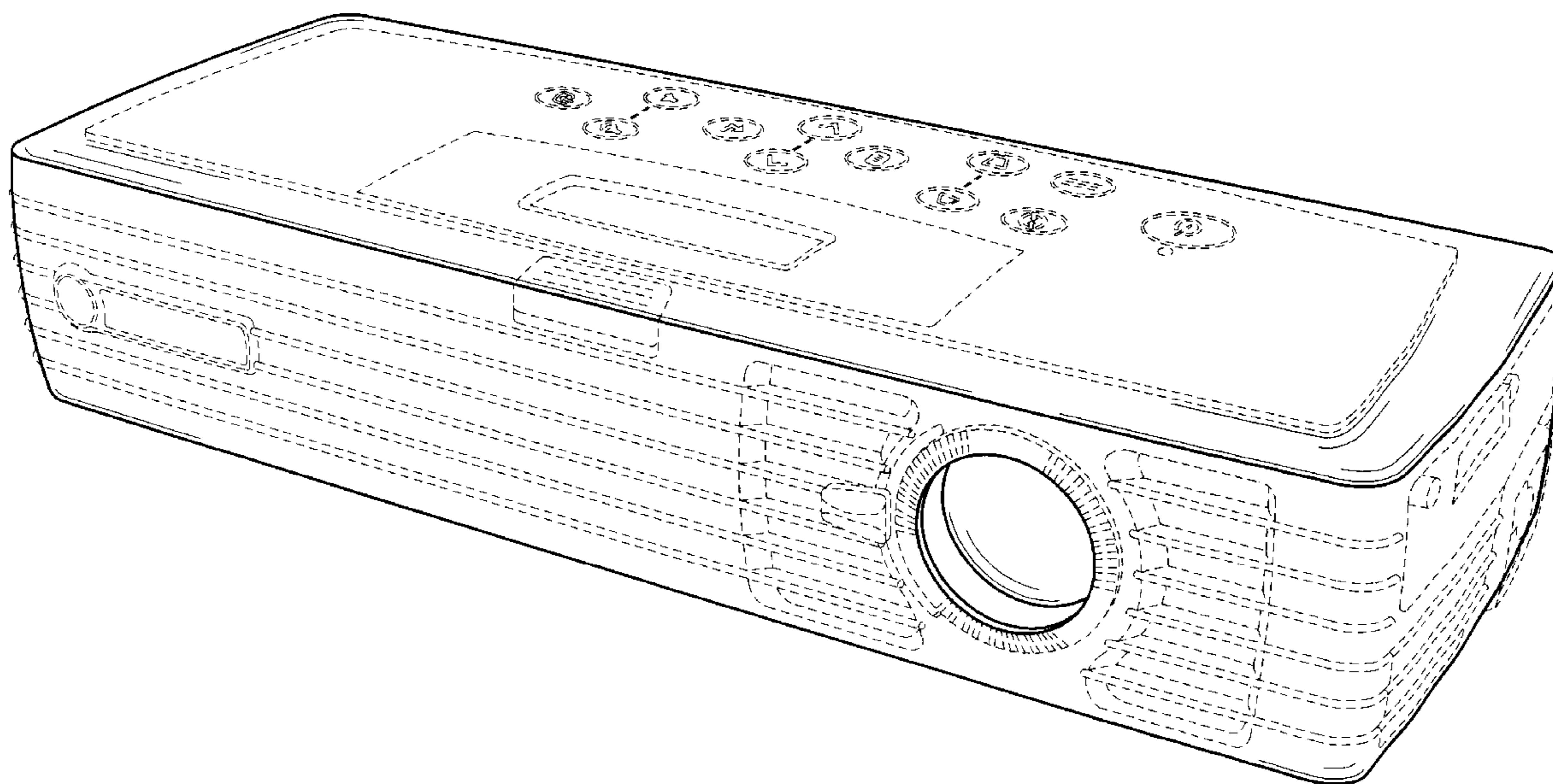
FIG. 7 is a left side view thereof; and,

FIG. 8 is a right side view thereof.

The broken line(s) shown in the drawings are for illustrative purposes only and form no part of the claimed design.

The shading lines shown in the drawing(s) represent the approximate three-dimensional contour of the design, and are not intended to indicate surface decoration.

1 Claim, 6 Drawing Sheets



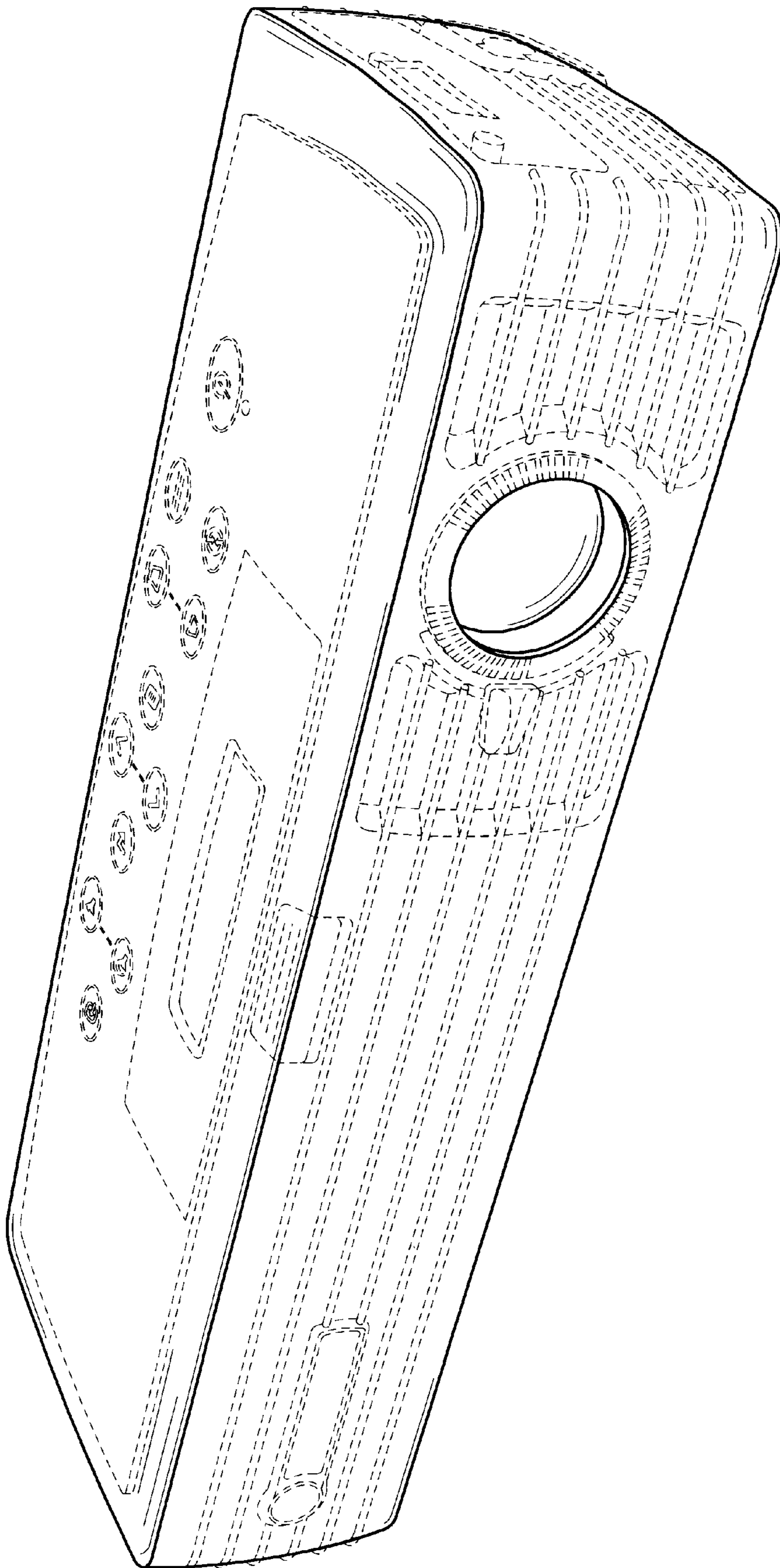


FIG. 1

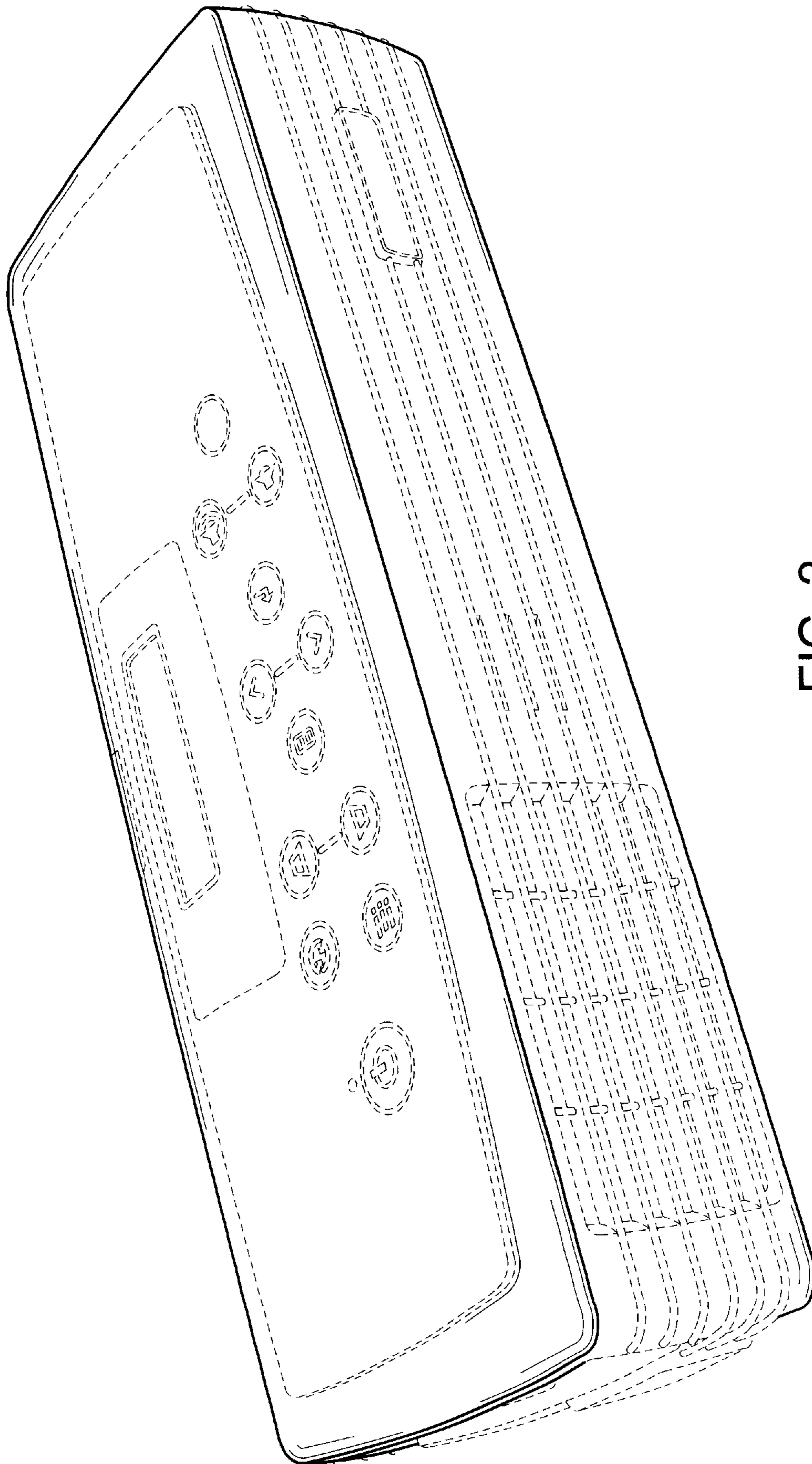


FIG. 2

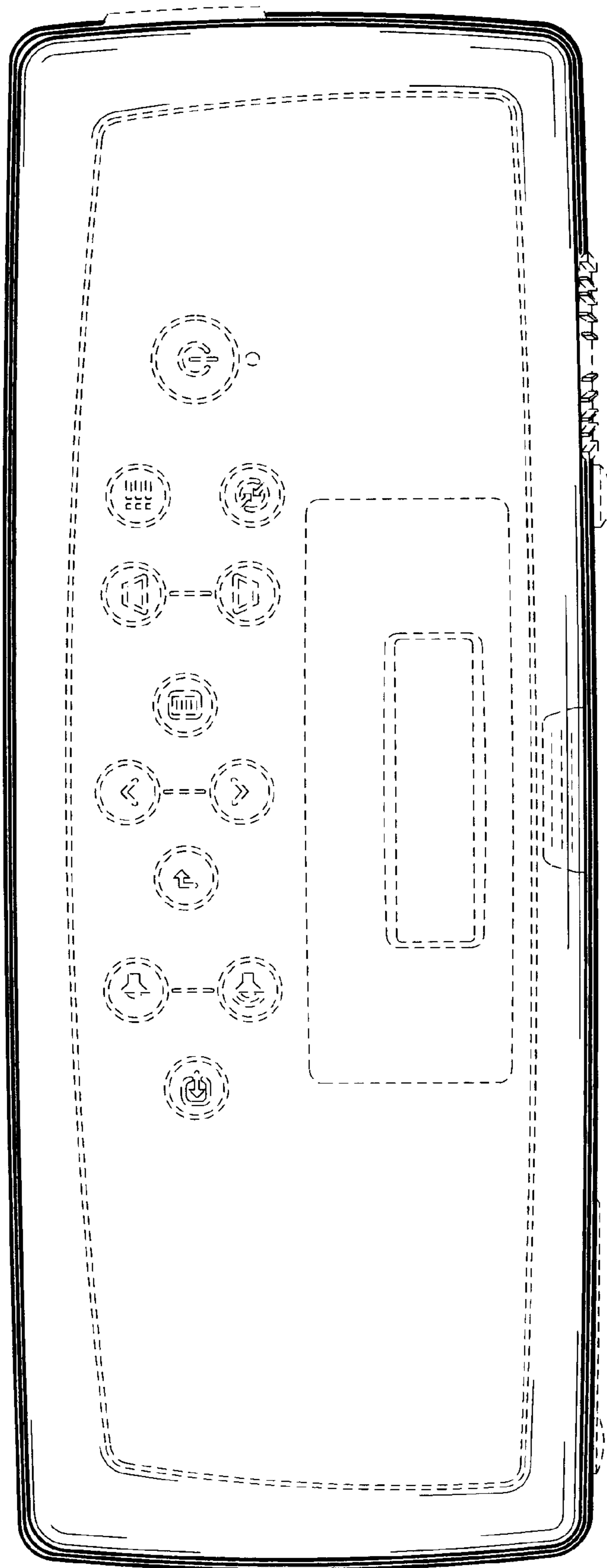


FIG. 3

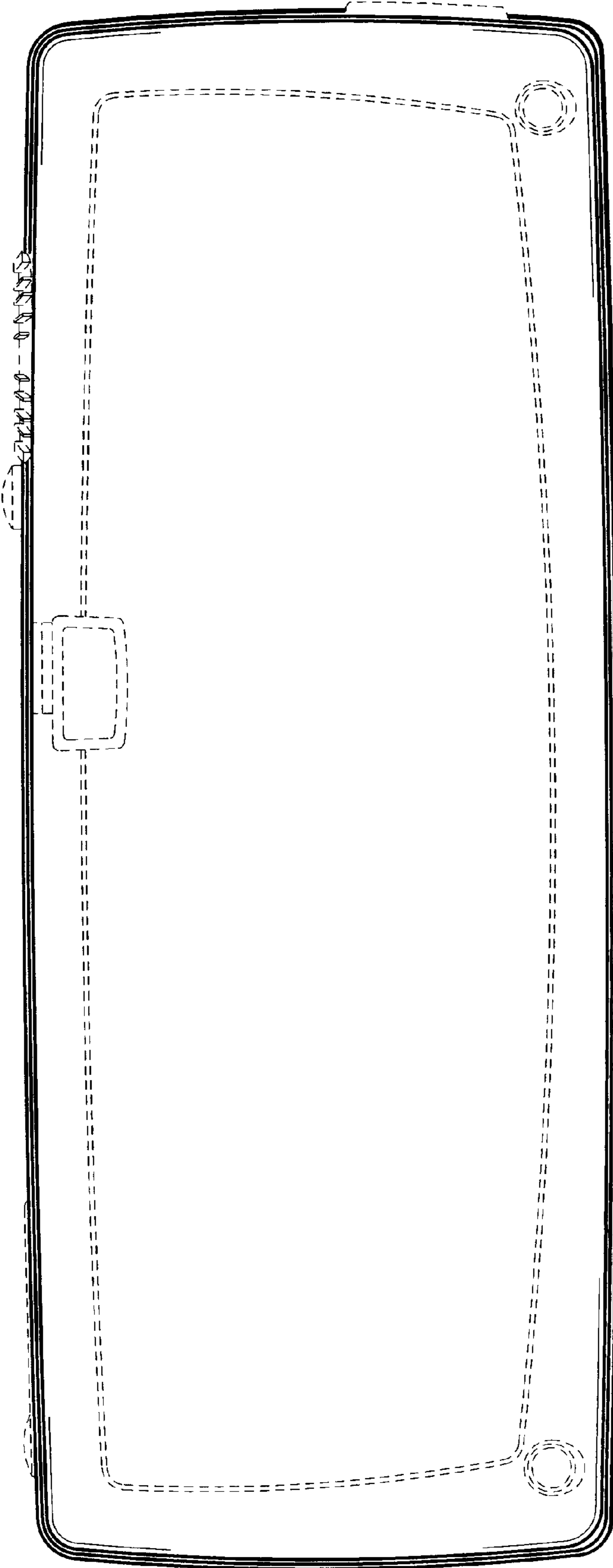


FIG. 4

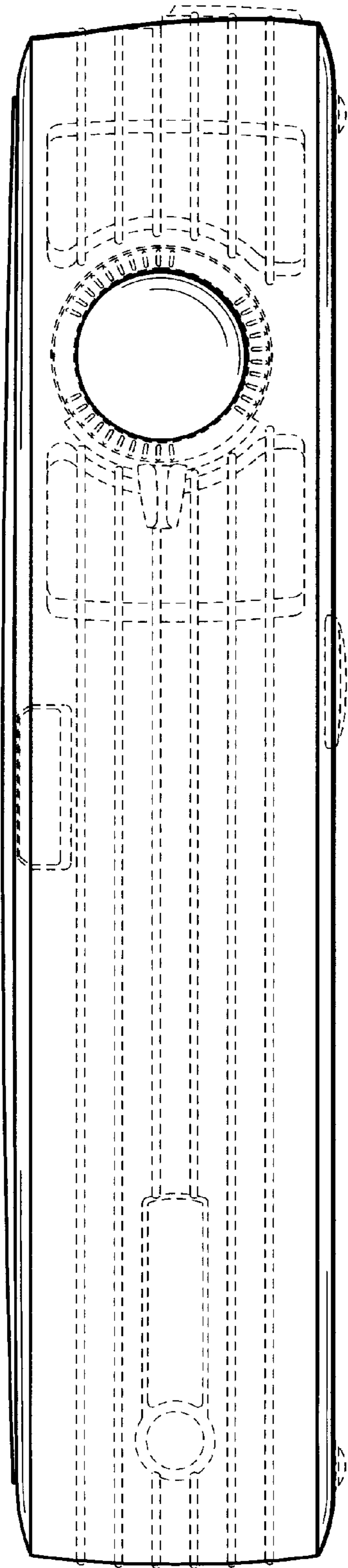


FIG. 5

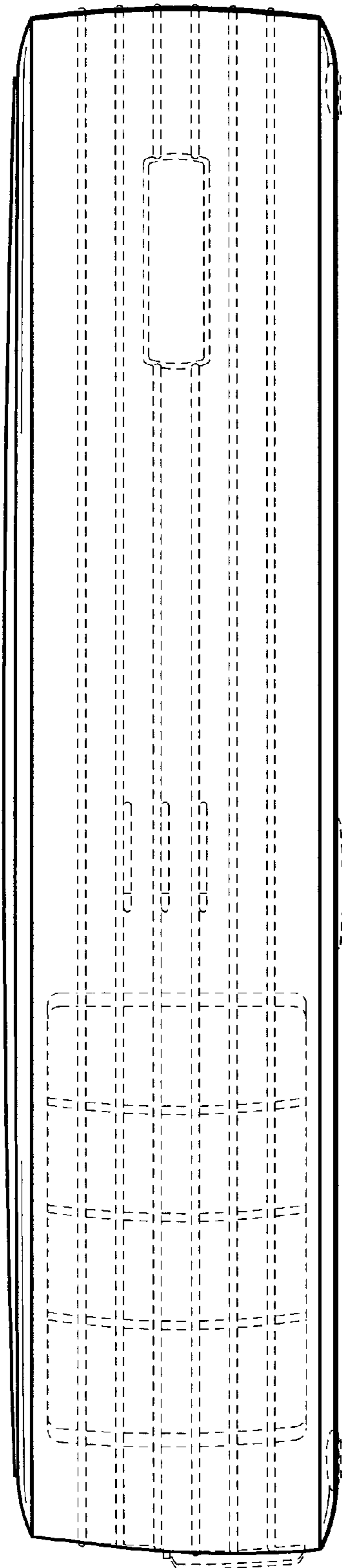


FIG. 6

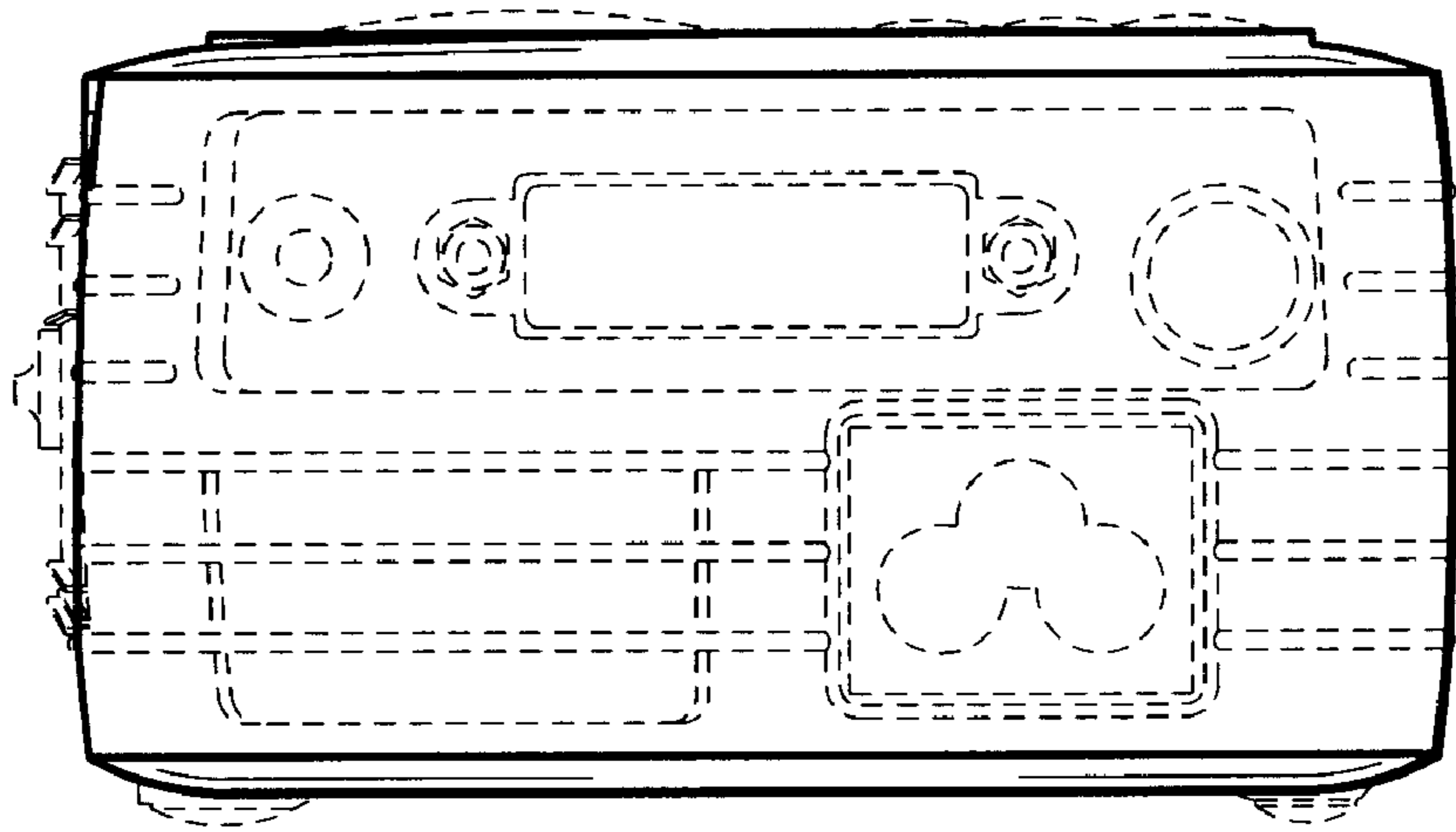


FIG. 7

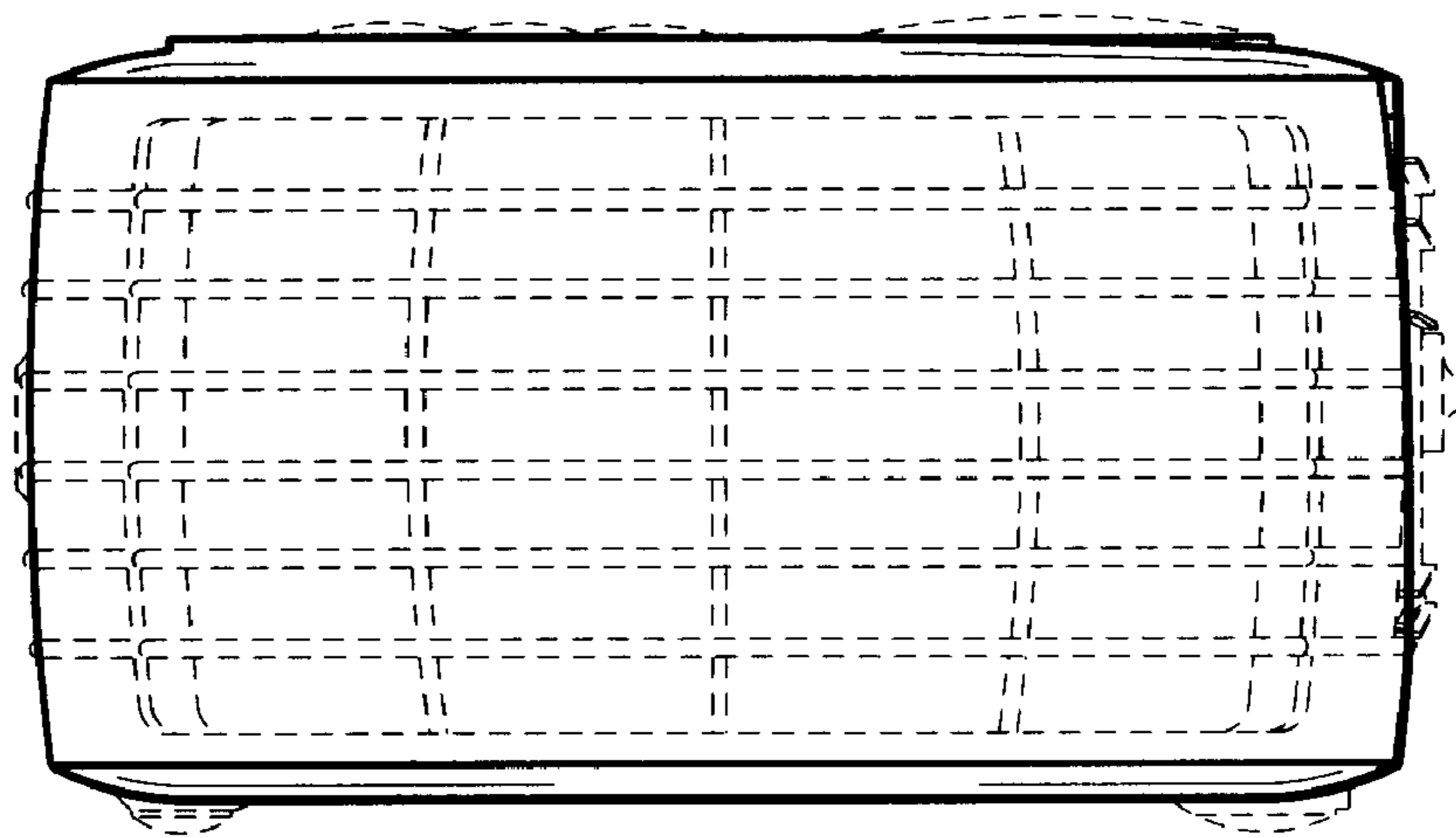


FIG. 8