



US00D520549S

(12) **United States Design Patent**  
**Tako**

(10) **Patent No.:** **US D520,549 S**

(45) **Date of Patent:** **\*\* May 9, 2006**

(54) **PROJECTOR**

D506,771 S \* 6/2005 Ooshima et al. .... D16/230

(75) Inventor: **Hiroataka Tako**, Tokyo (JP)

FOREIGN PATENT DOCUMENTS

(73) Assignee: **Sony Corporation**, Tokyo (JP)

JP D1072560 6/2000

JP D1078936 7/2000

(\*\*) Term: **14 Years**

\* cited by examiner

(21) Appl. No.: **29/216,378**

*Primary Examiner*—Adir Aronovich

(22) Filed: **Nov. 3, 2004**

(74) *Attorney, Agent, or Firm*—Rader, Fishman & Grauer  
PLLC

(51) **LOC (8) Cl.** ..... **16-02**

(57) **CLAIM**

(52) **U.S. Cl.** ..... **D16/230; D16/225**

The ornamental design for a projector, as shown.

(58) **Field of Classification Search** ..... D16/205,  
D16/208, 213, 221, 225, 230, 231, 234; D21/514;  
353/115, 119, 122

**DESCRIPTION**

See application file for complete search history.

FIG. 1 is a perspective view of a projector showing my new design;

(56) **References Cited**

U.S. PATENT DOCUMENTS

D475,389 S	*	6/2003	Kurokawa	.....	D16/230
D477,833 S	*	7/2003	Kurokawa et al.	.....	D16/225
D480,409 S	*	10/2003	Wang et al.	.....	D16/230
D489,391 S	*	5/2004	Morishita et al.	.....	D16/230
D492,338 S	*	6/2004	Ooshima	.....	D16/230

FIG. 2 is a front elevational view thereof;

FIG. 3 is a rear elevational view thereof;

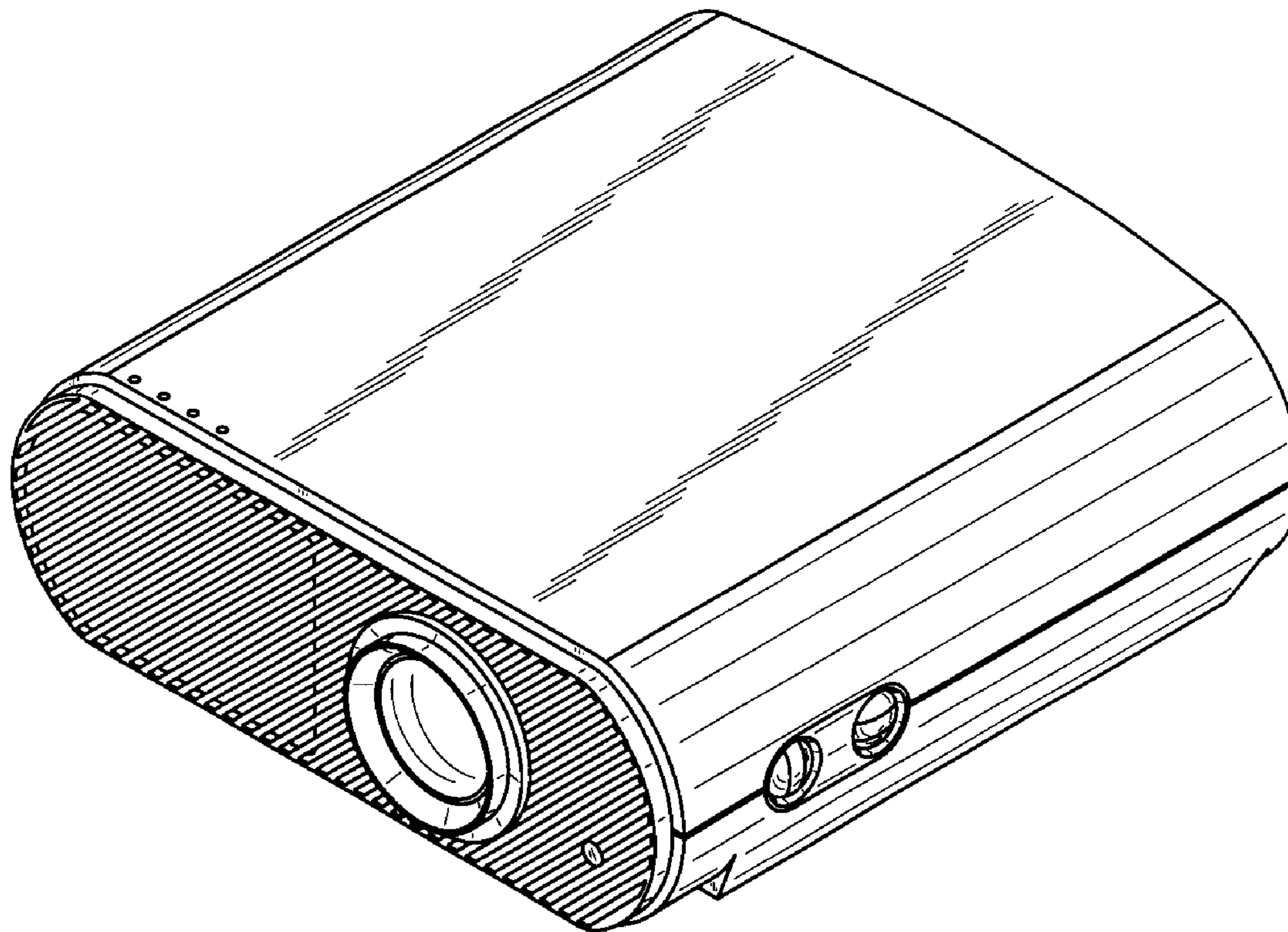
FIG. 4 is a left side elevational view thereof;

FIG. 5 is a right side elevational view thereof;

FIG. 6 is a top plan view thereof; and,

FIG. 7 is a bottom plan view thereof.

**1 Claim, 4 Drawing Sheets**



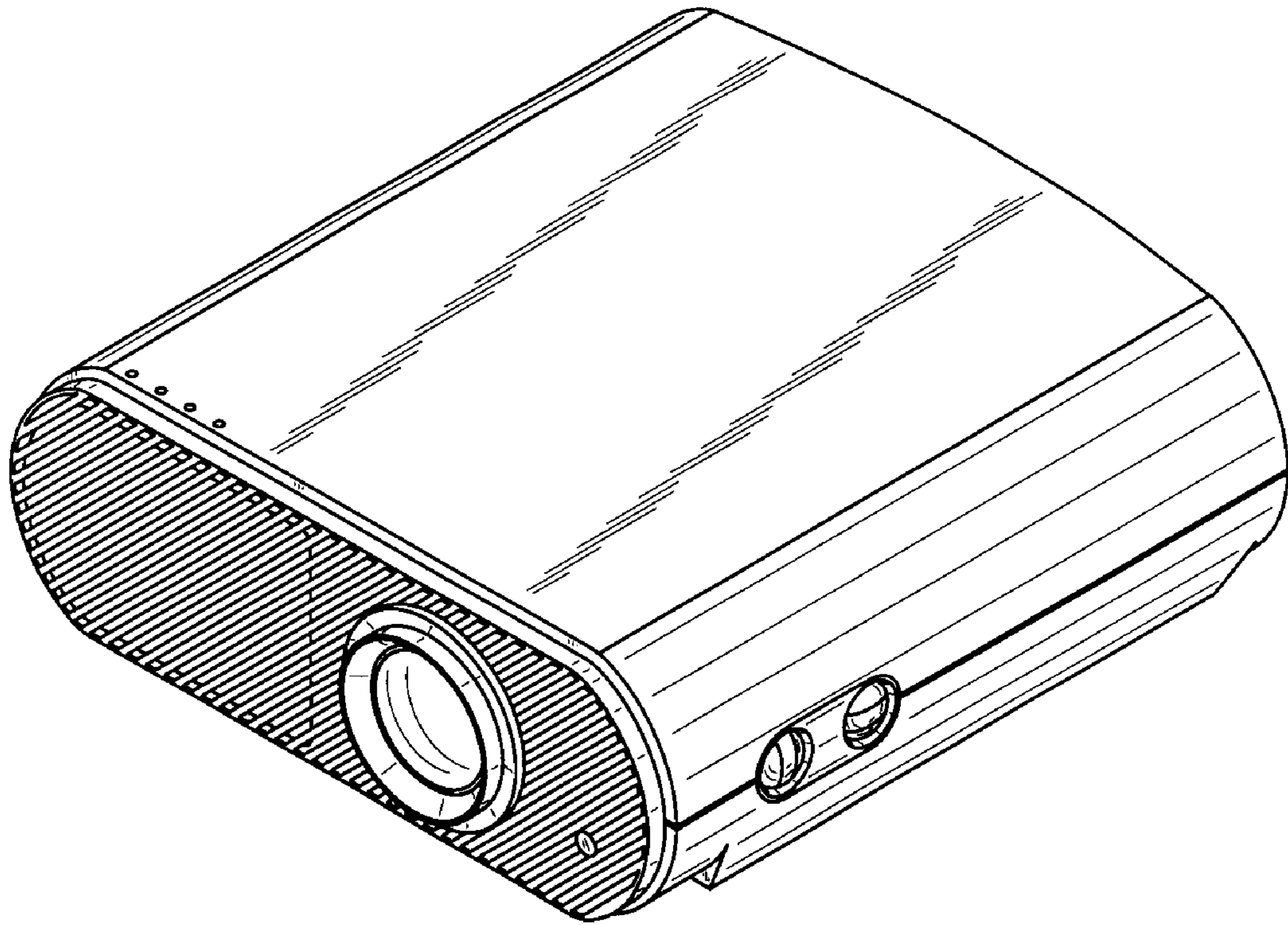


FIG. 1

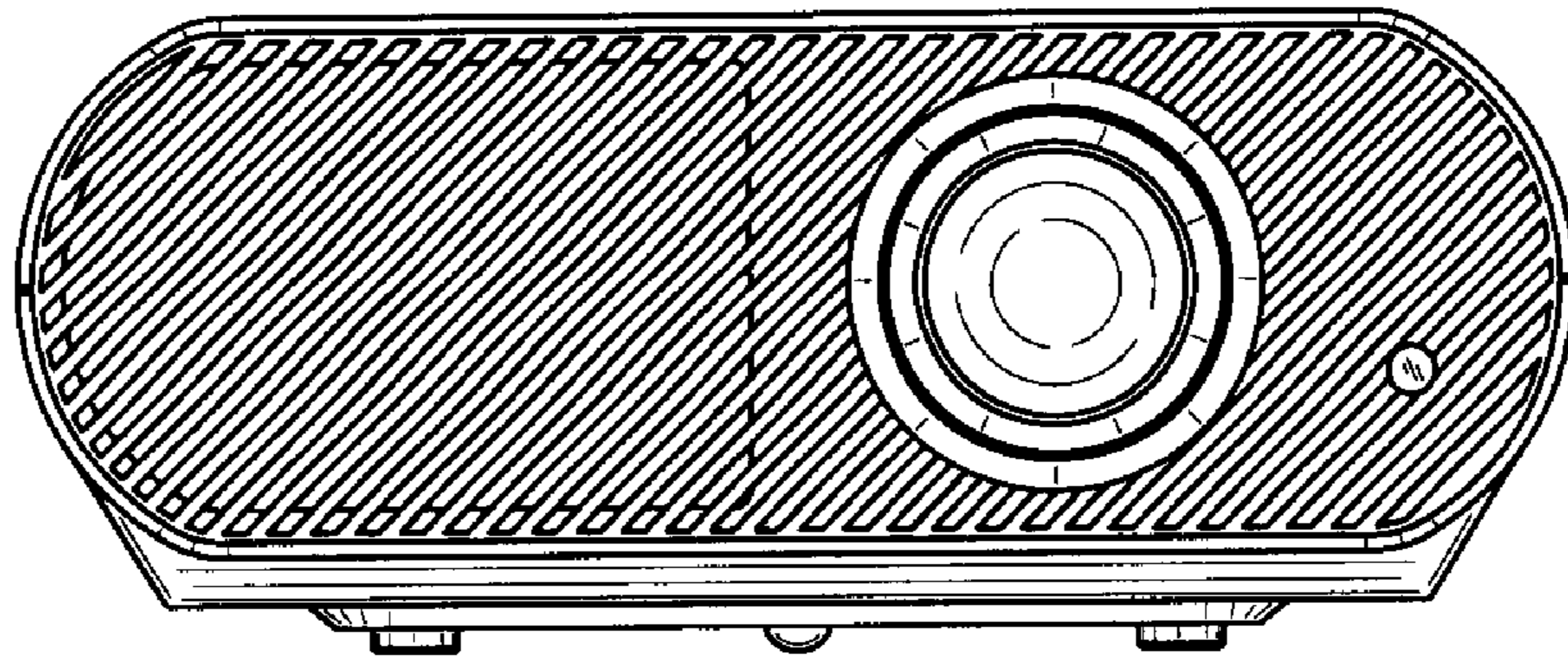


FIG. 2

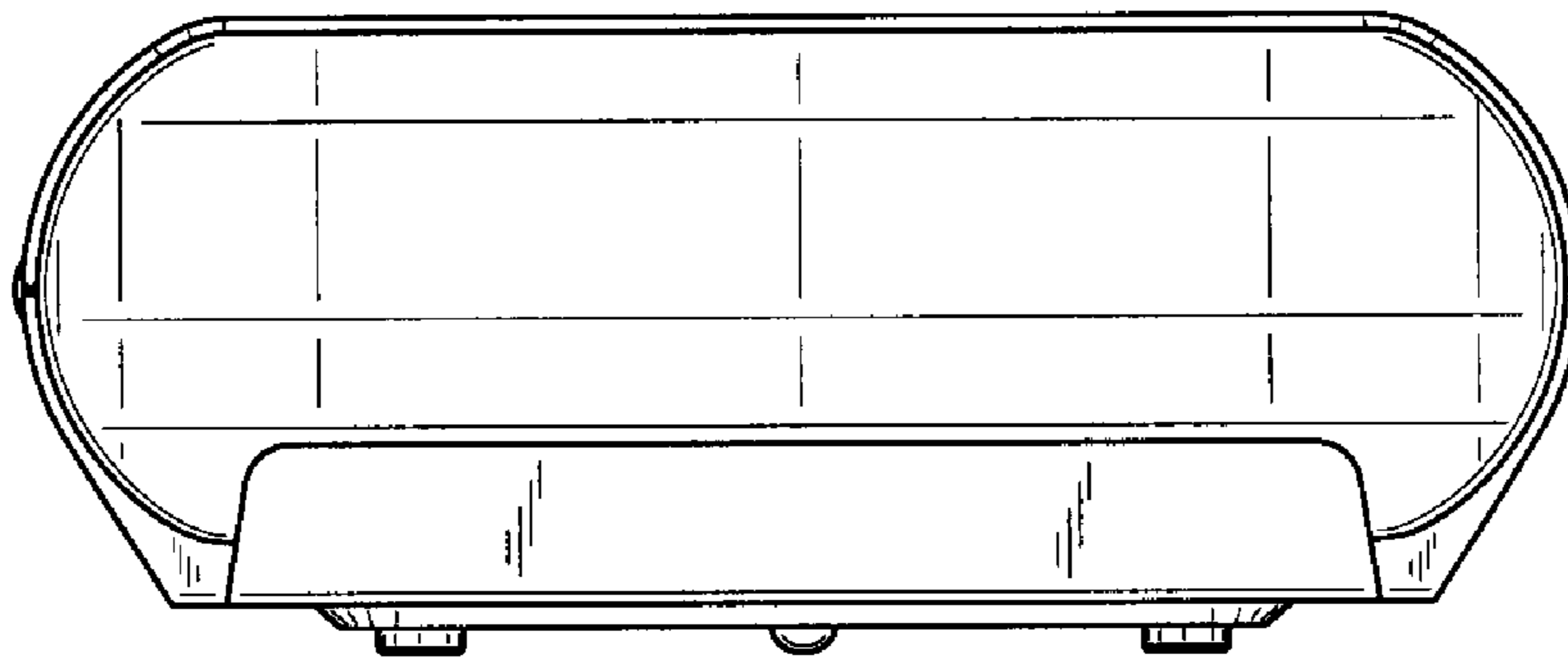


FIG. 3

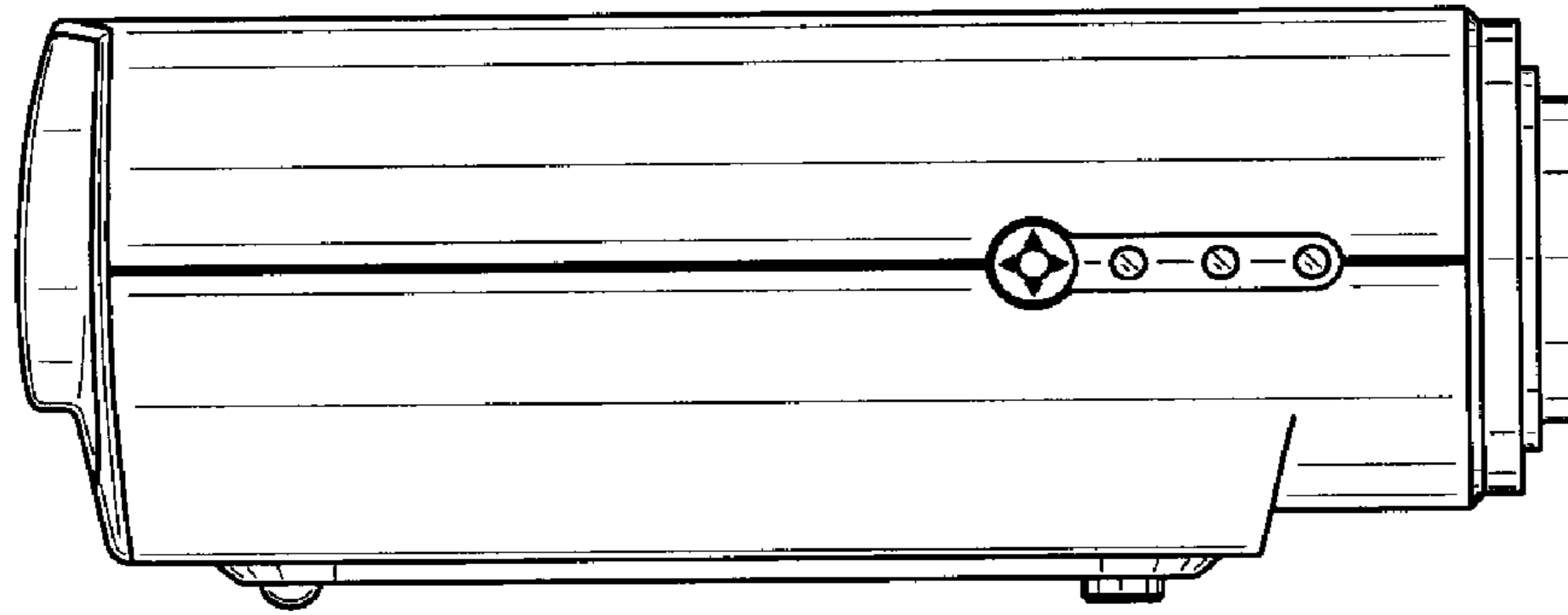


FIG. 4

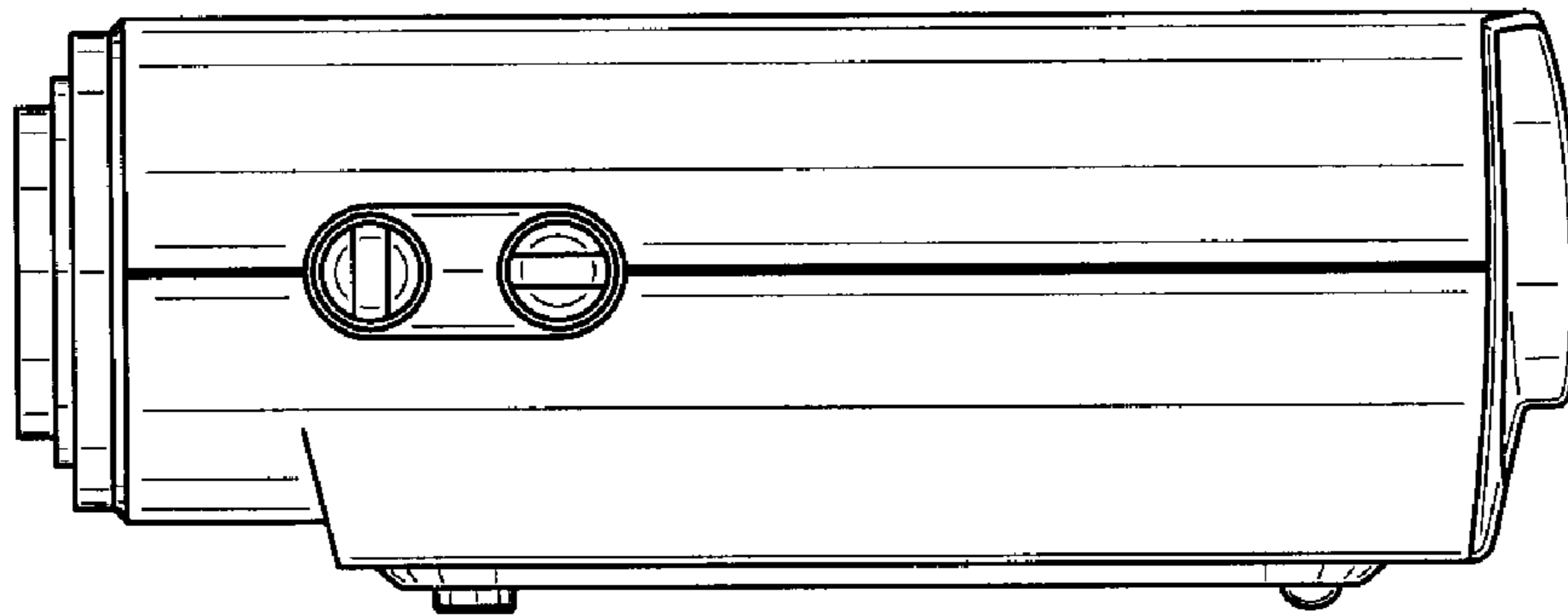


FIG. 5

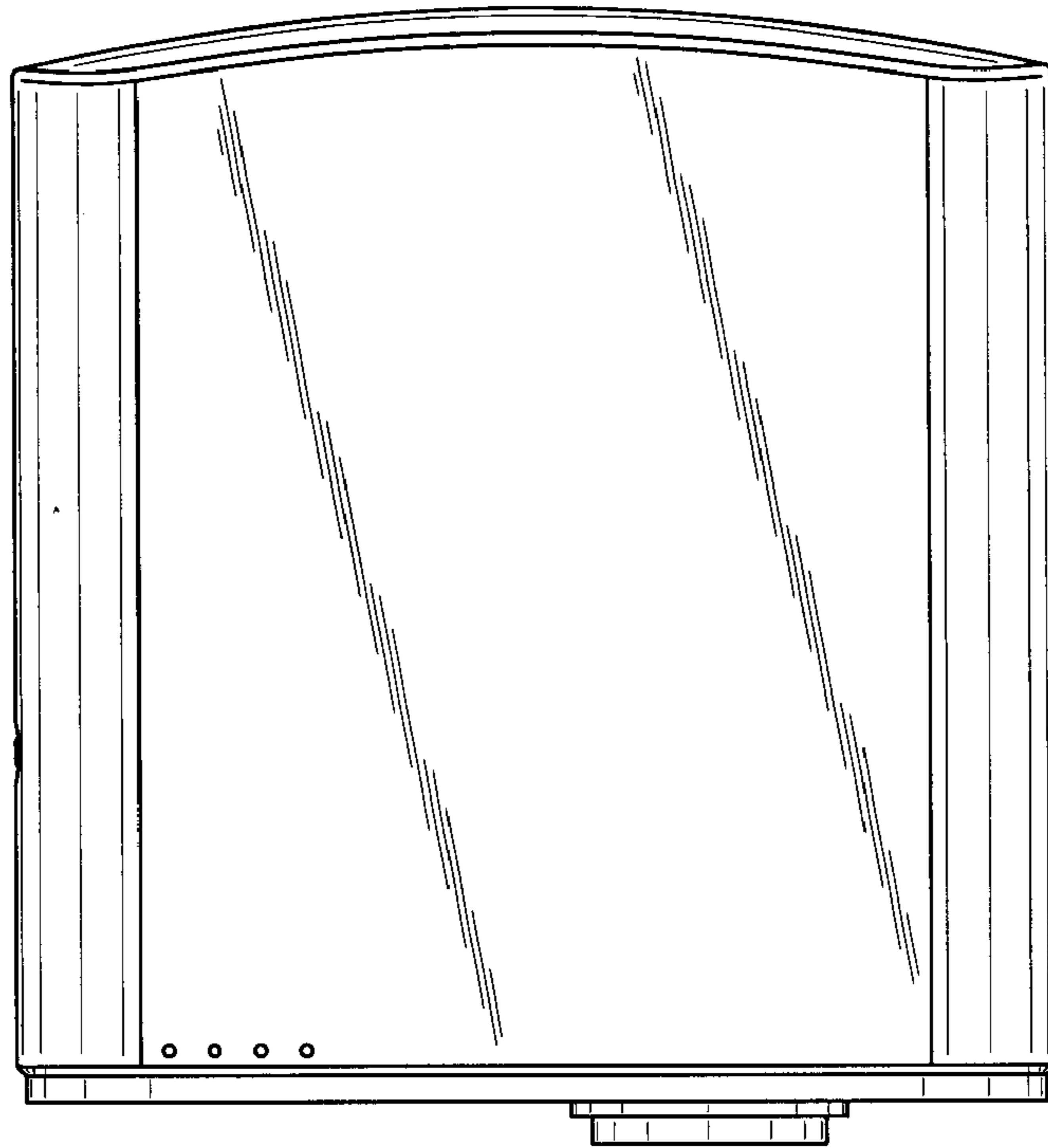


FIG. 6

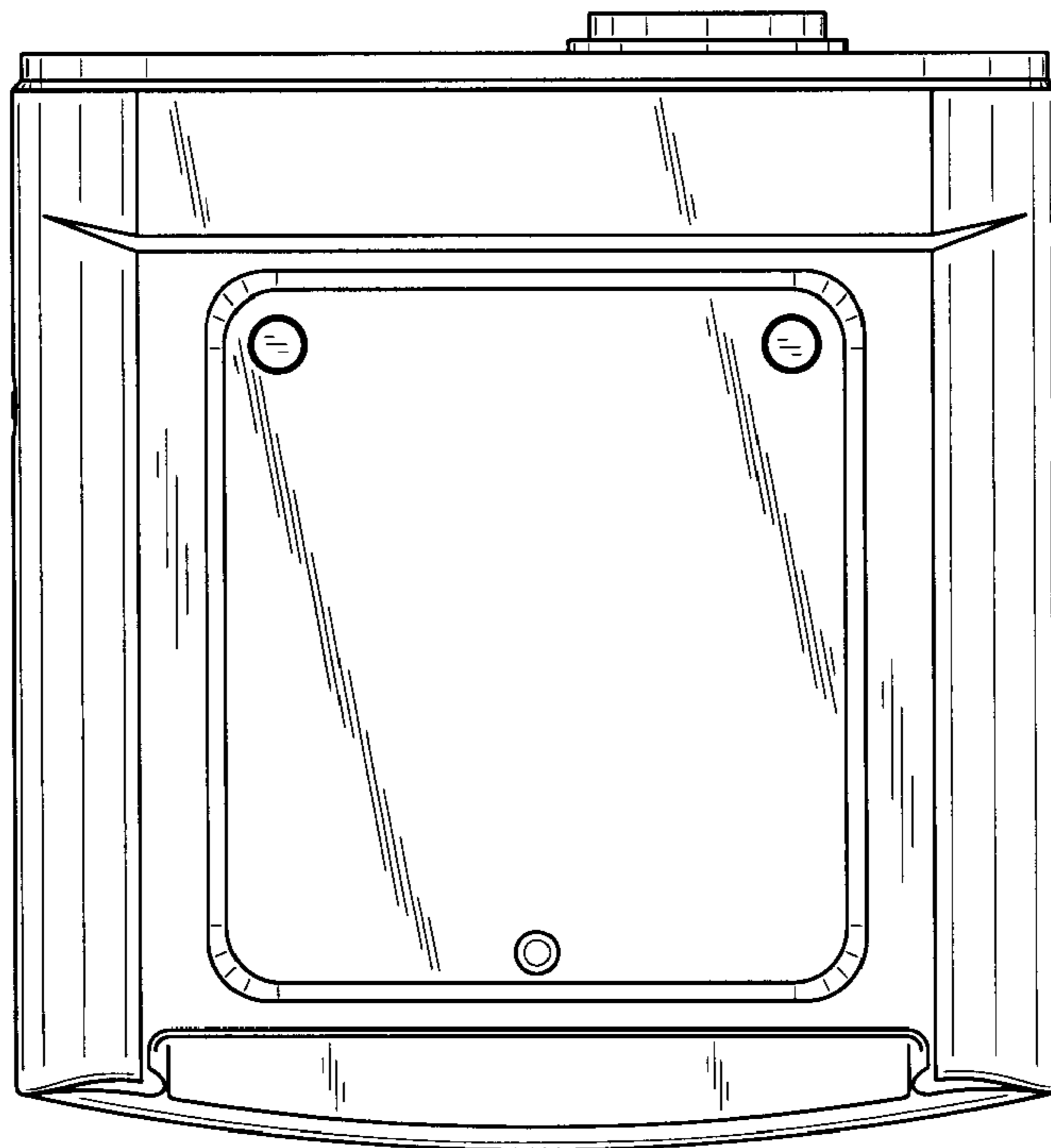


FIG. 7