

US00D520548S

(12) **United States Design Patent**
Tsai

(10) **Patent No.:** **US D520,548 S**

(45) **Date of Patent:** **** May 9, 2006**

(54) **IMAGE RECORDER**

(75) Inventor: **Chieh-Ming Tsai**, Taipei (TW)

(73) Assignee: **Inventec Multimedia & Telecom Corporation**, Taipei (TW)

(**) Term: **14 Years**

(21) Appl. No.: **29/215,769**

(22) Filed: **Oct. 26, 2004**

(51) **LOC (8) Cl.** **16-01**

(52) **U.S. Cl.** **D16/203**

(58) **Field of Classification Search** D16/200–205,
D16/208, 218; 348/143, 151, 373–376; 396/427,
396/535, 536–541

See application file for complete search history.

(56) **References Cited**

U.S. PATENT DOCUMENTS

5,204,742 A * 4/1993 Nordmann 348/373

D340,253 S * 10/1993 Fedorczak D16/203

6,268,882 B1 * 7/2001 Elberbaum 348/151

D478,108 S * 8/2003 Miyazaki D16/202

D502,196 S * 2/2005 Miyazaki D16/202

* cited by examiner

Primary Examiner—Adir Aronovich

(74) *Attorney, Agent, or Firm*—Birch, Stewart, Kolasch & Birch, LLP

(57) **CLAIM**

The ornamental design for a image recorder, as shown and described.

DESCRIPTION

FIG. 1 is a perspective view of a image recorder showing our new design;

FIG. 2 is front view thereof;

FIG. 3 is a rear view thereof;

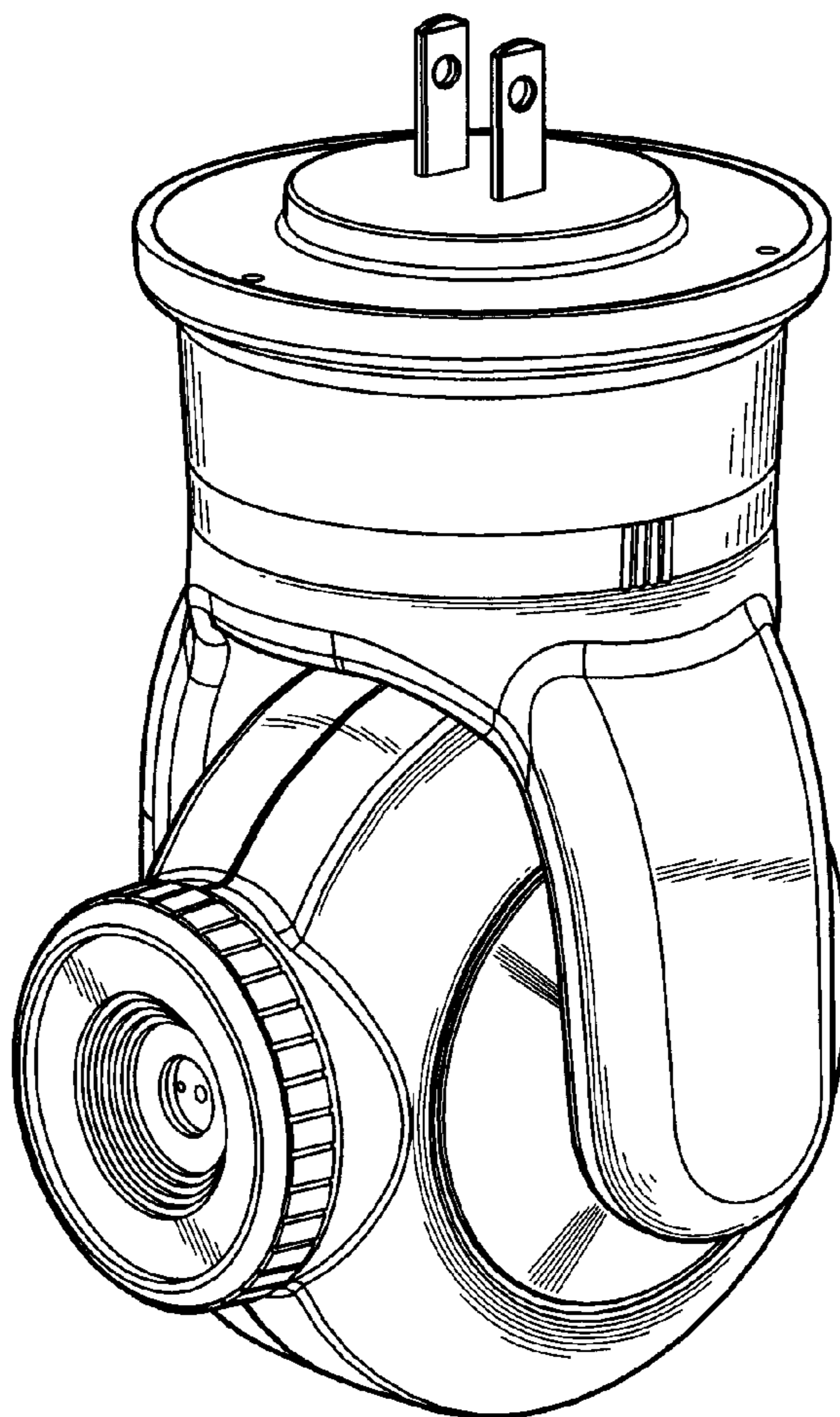
FIG. 4 is a left side elevational view thereof;

FIG. 5 is right side elevational view thereof;

FIG. 6 is a top view thereof; and,

FIG. 7 is a bottom view thereof.

1 Claim, 4 Drawing Sheets



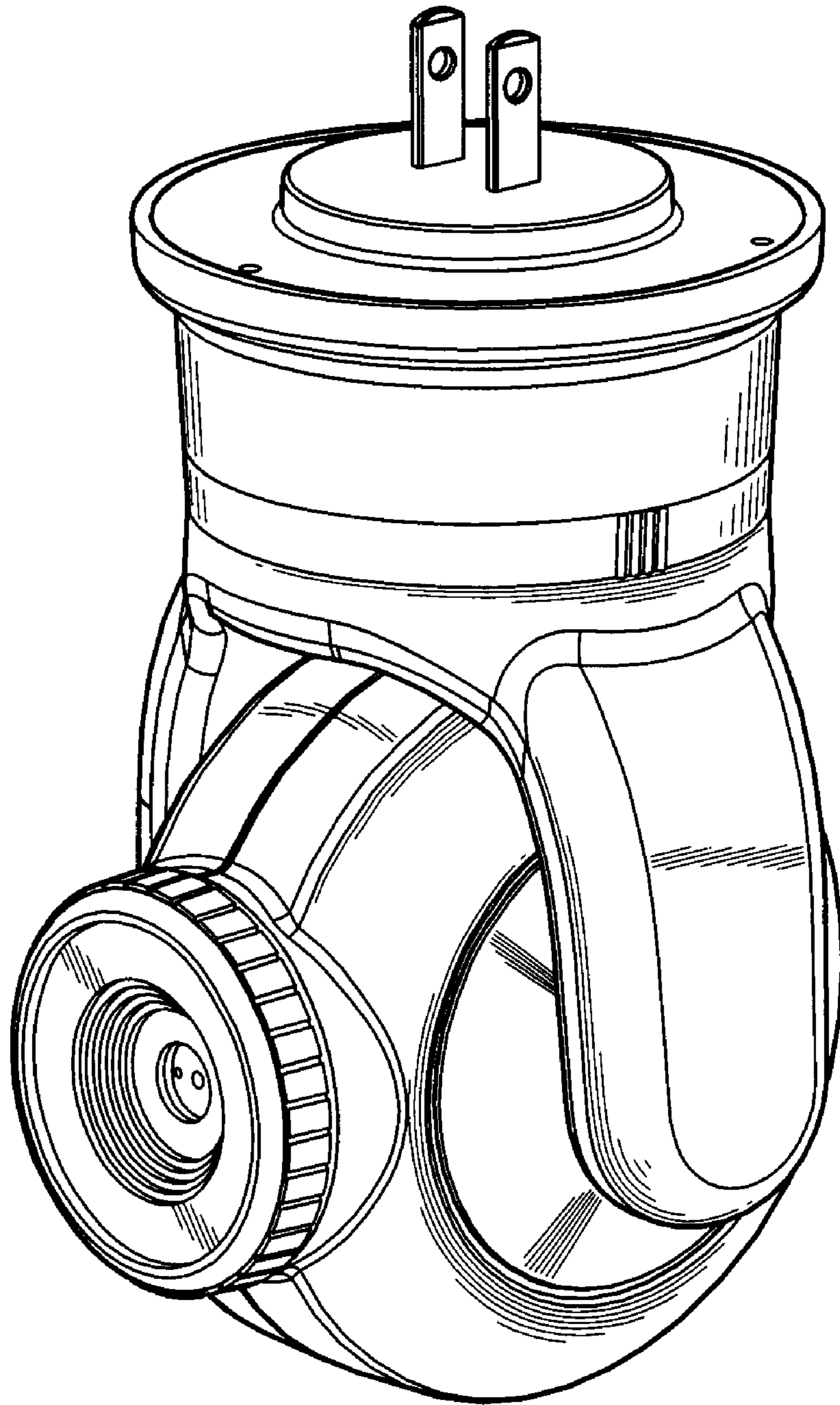


FIG.1

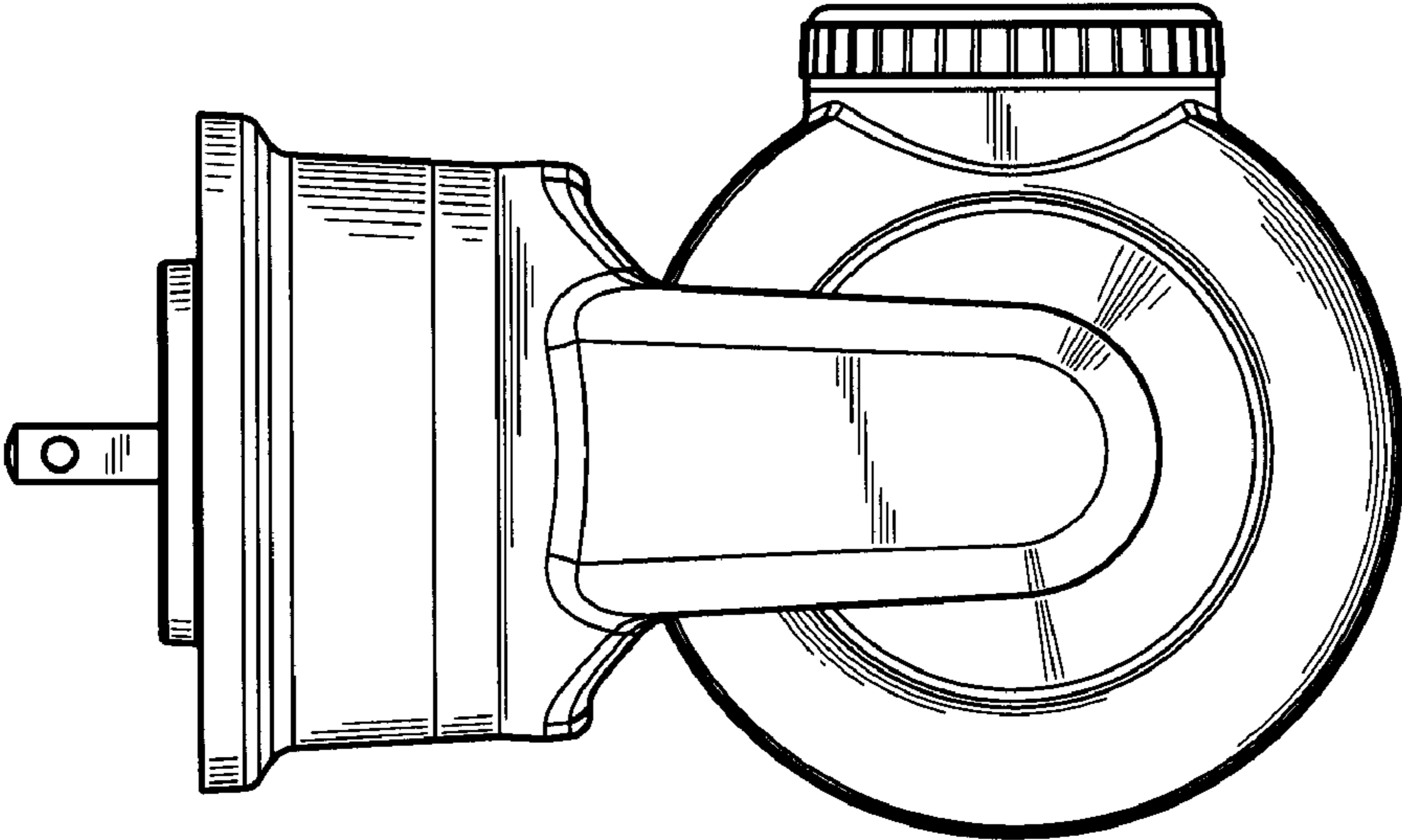


FIG. 2

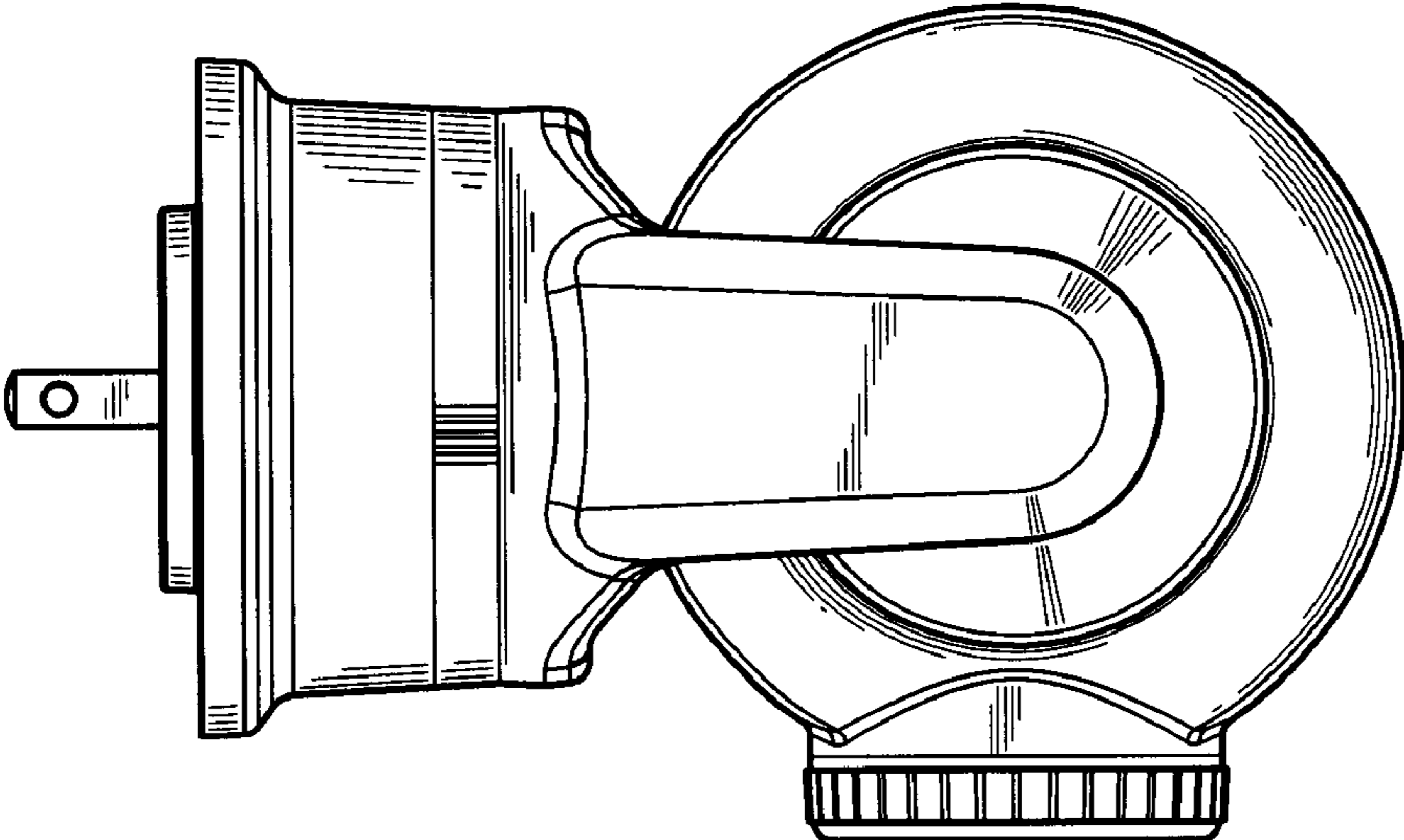


FIG. 3

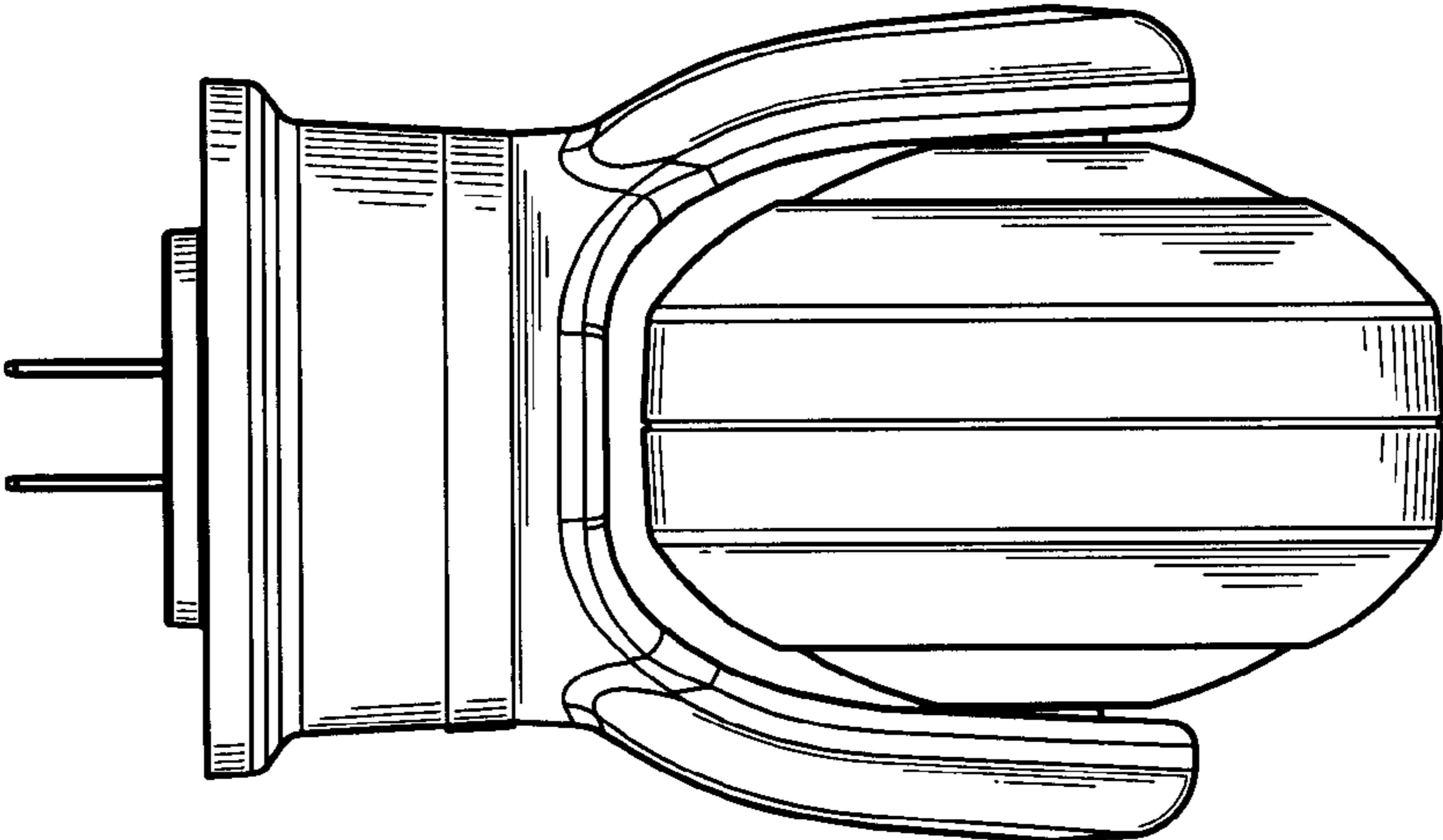


FIG.5

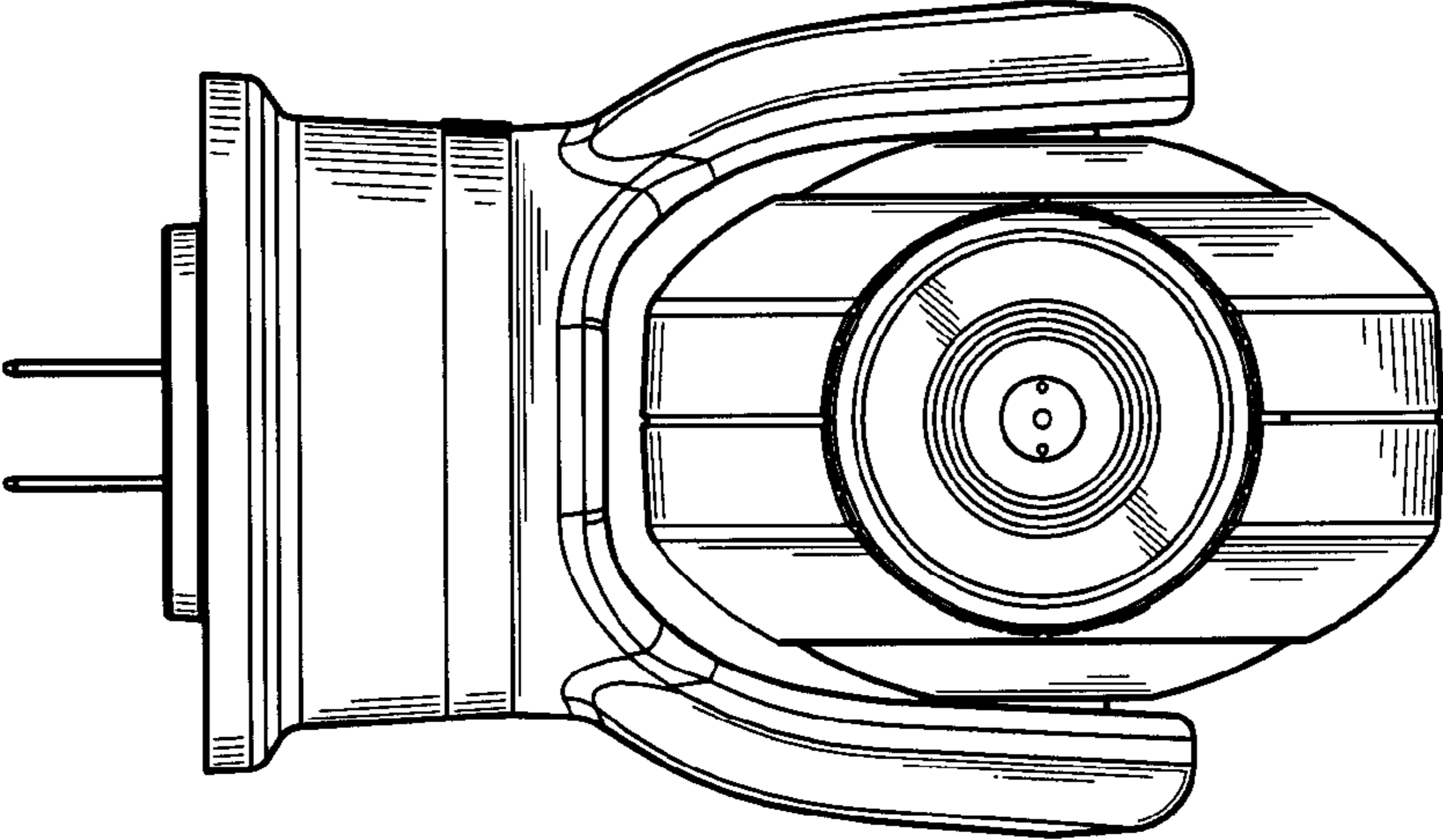


FIG.4

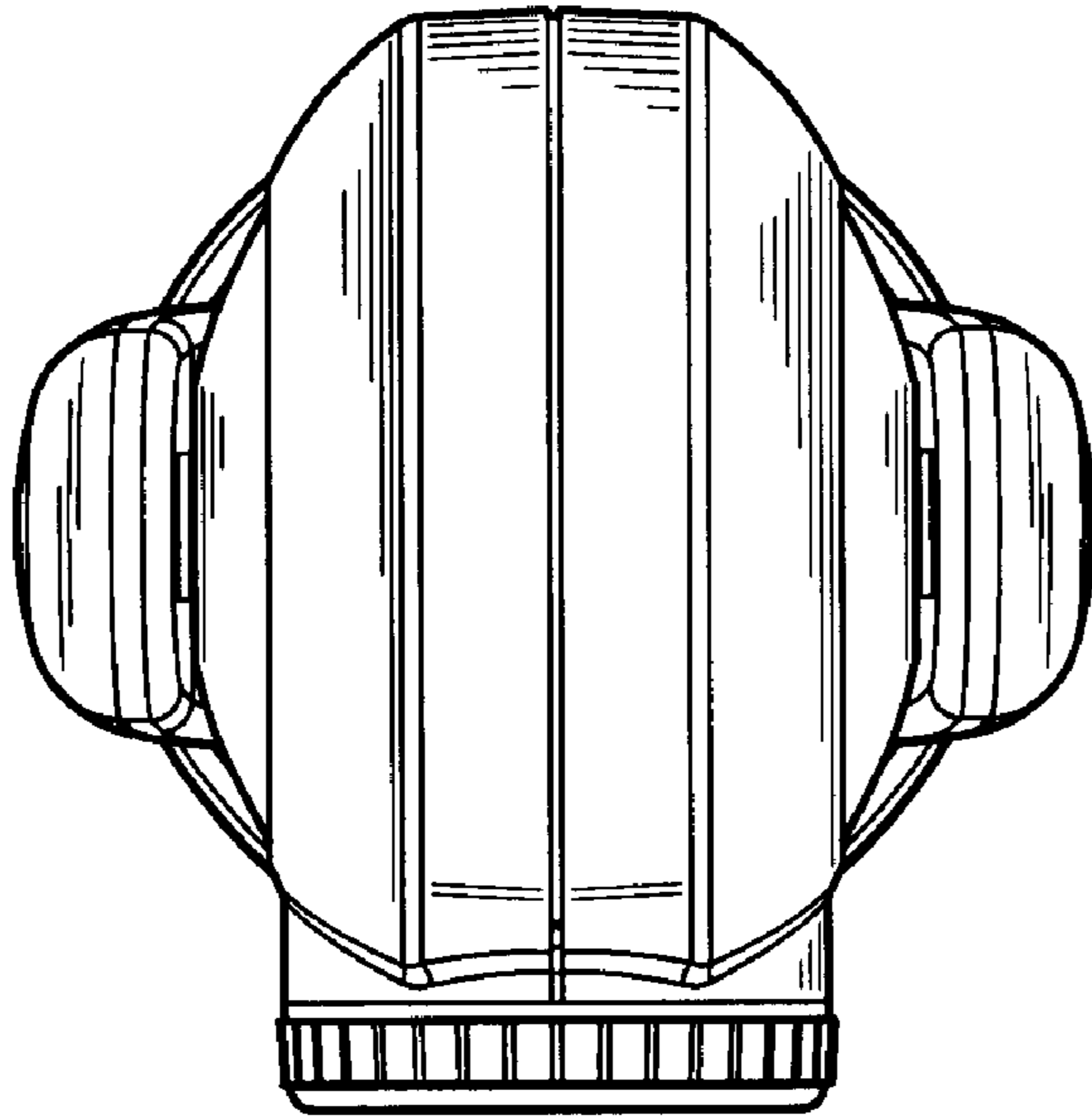


FIG. 7

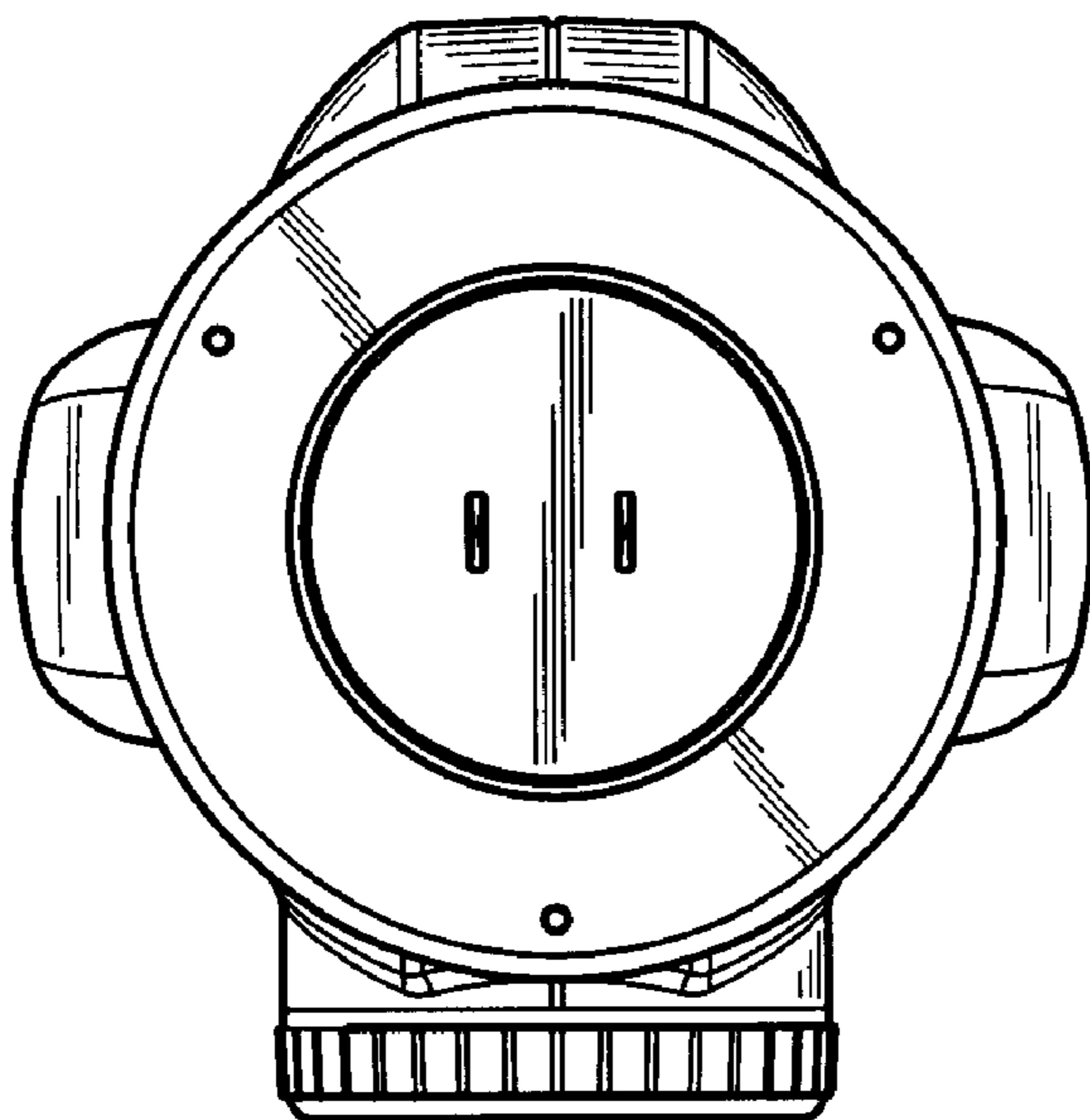


FIG. 6