



US00D520547S

(12) **United States Design Patent**
Yanagisawa et al.

(10) **Patent No.:** **US D520,547 S**

(45) **Date of Patent:** **** May 9, 2006**

(54) **DIGITAL STILL CAMERA**

(75) Inventors: **Kenji Yanagisawa**, Nagano (JP);
Hideaki Sonehara, Nagano (JP);
Hiroataka Ito, Nagano (JP); **Hideki Kato**, Nagano (JP)

(73) Assignee: **Seiko Epson Corporation**, Tokyo (JP)

(**) Term: **14 Years**

(21) Appl. No.: **29/218,109**

(22) Filed: **Nov. 29, 2004**

(30) **Foreign Application Priority Data**

Jun. 21, 2004 (JP) 2004-018469

(51) **LOC (8) Cl.** **16-01**

(52) **U.S. Cl.** **D16/202**

(58) **Field of Classification Search** D16/200-204,
D16/208, 209, 218; 348/373-376; 358/909.1;
396/6, 535, 536-541

See application file for complete search history.

(56) **References Cited**

U.S. PATENT DOCUMENTS

6,434,337 B1 * 8/2002 Misawa 358/909.1

D473,579 S * 4/2003 Katayama et al. D16/202
D482,054 S * 11/2003 Nasu D16/202
D494,612 S * 8/2004 Yang et al. D16/202
D503,946 S * 4/2005 Chao et al. D16/202

* cited by examiner

Primary Examiner—Adir Aronovich

(74) *Attorney, Agent, or Firm*—Sughrue Mion, PLLC

(57) **CLAIM**

The ornamental design for a digital still camera, as shown.

DESCRIPTION

FIG. 1 is a perspective view of the front, right, and top sides of a digital still camera showing our new design;

FIG. 2 is a perspective view of the rear, left, and top sides thereof;

FIG. 3 is a front elevational view thereof;

FIG. 4 is a rear elevational view thereof;

FIG. 5 is a top plan view thereof;

FIG. 6 is a bottom plan view thereof;

FIG. 7 is a left side elevational view thereof; and,

FIG. 8 is a right side elevational view thereof.

1 Claim, 6 Drawing Sheets

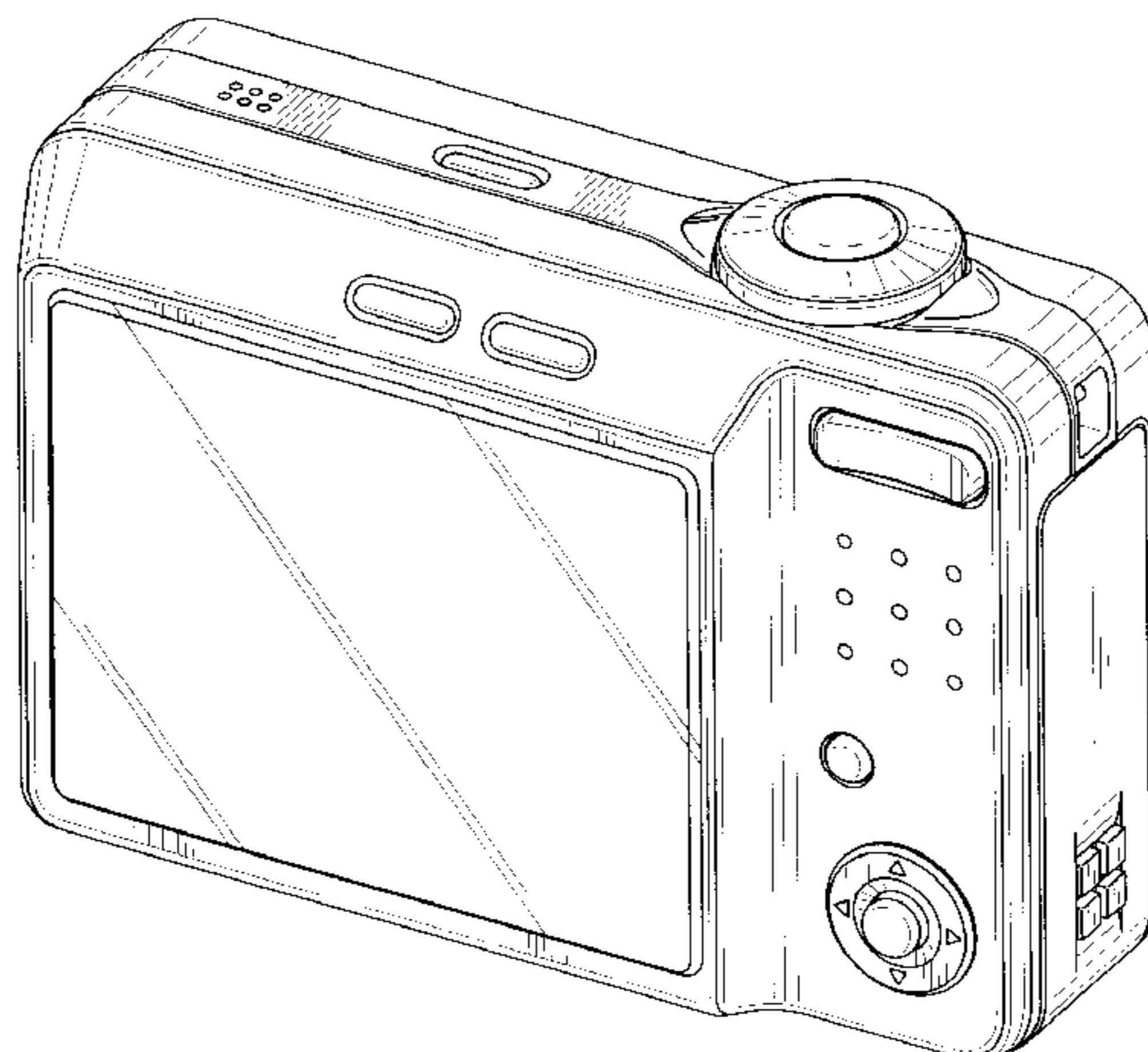
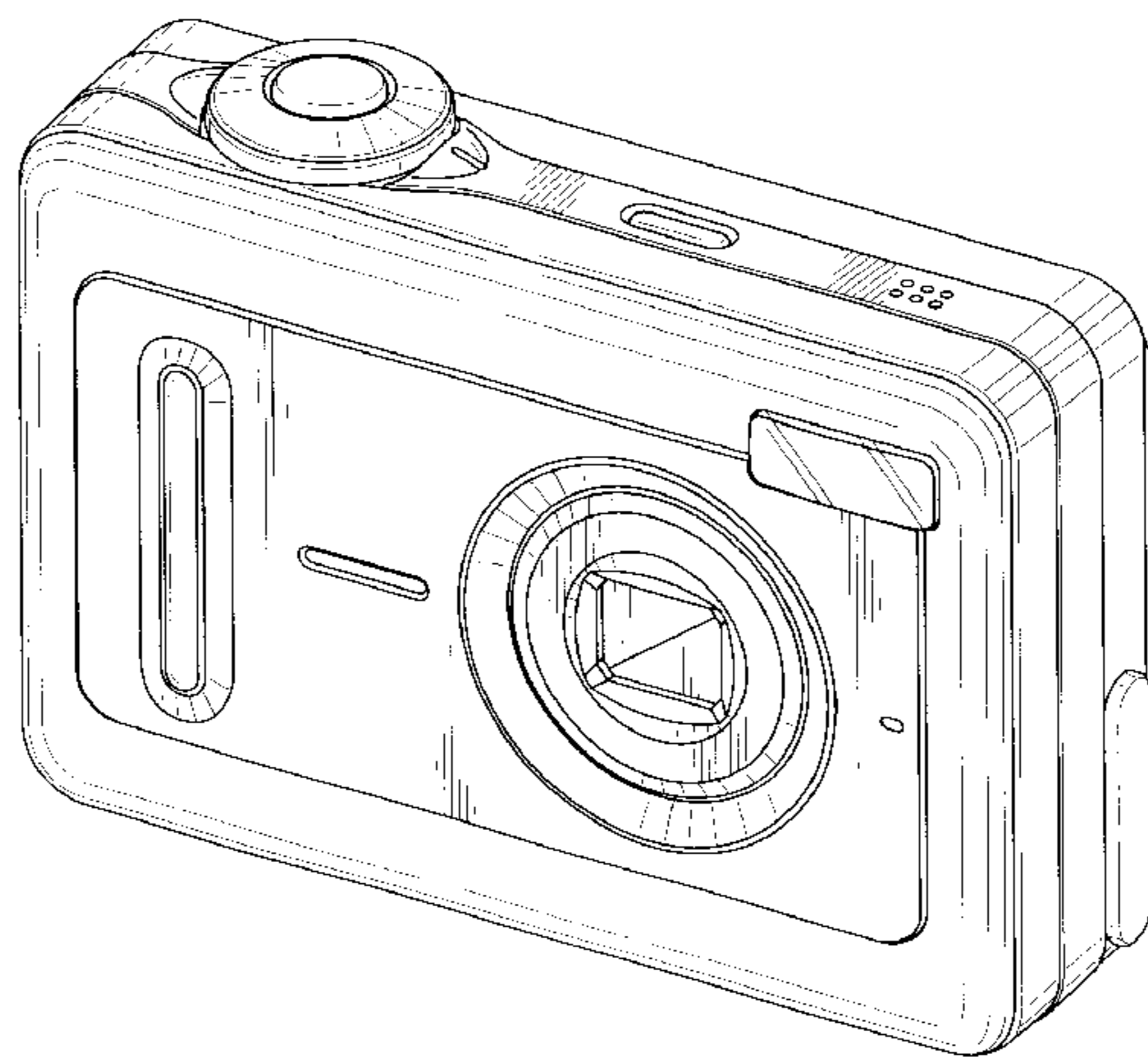


FIG. 1

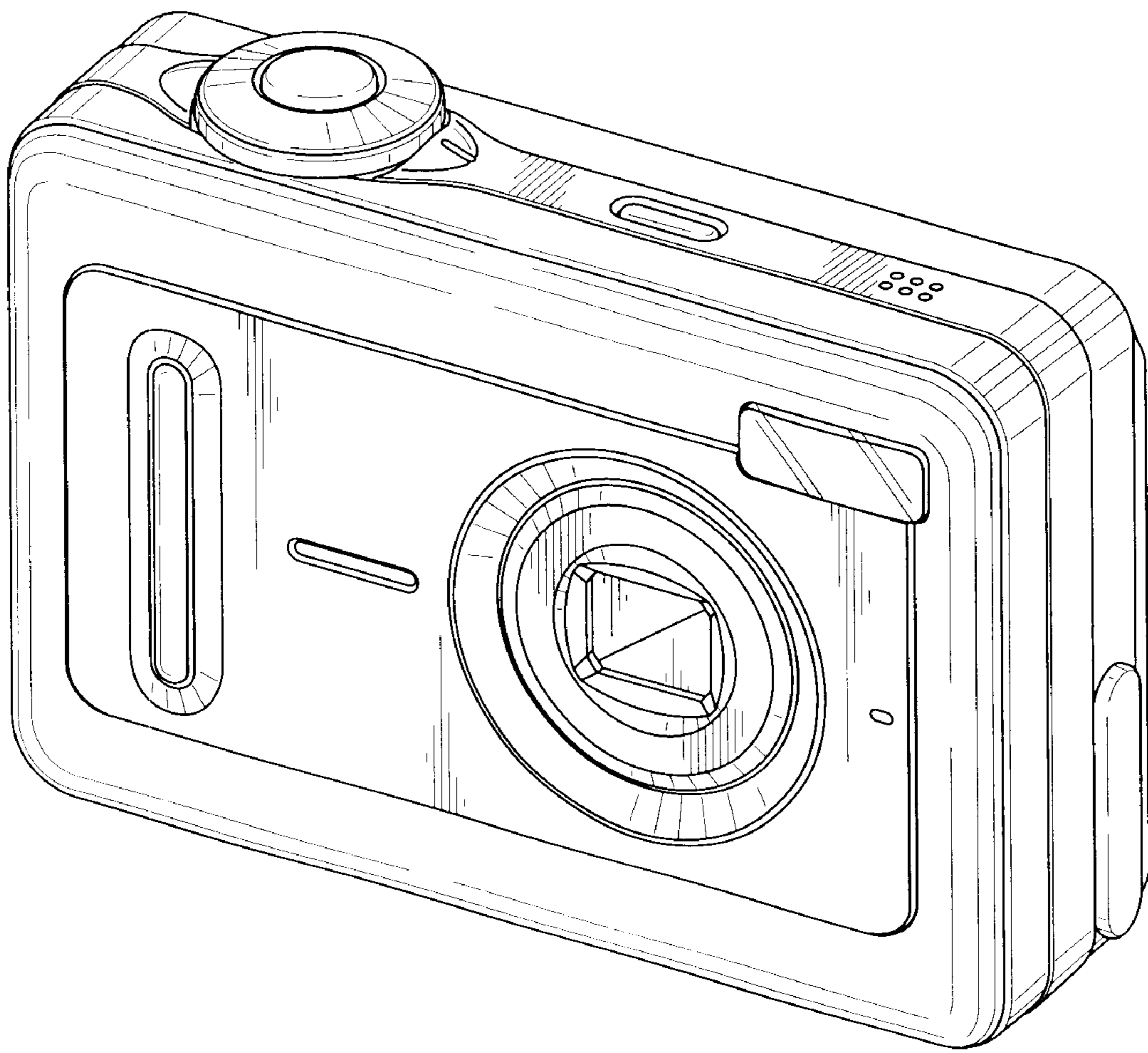


FIG. 2

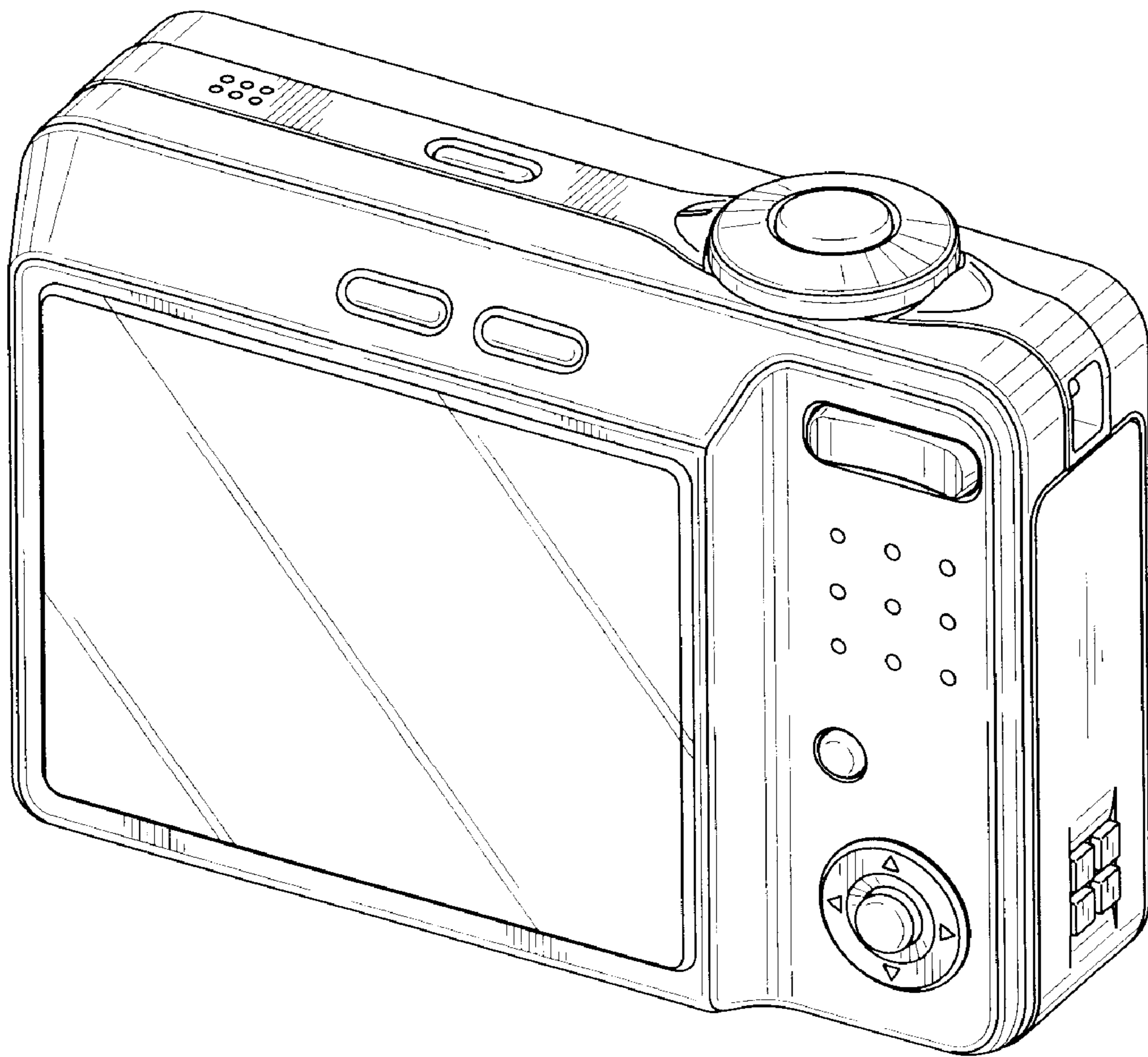


FIG. 3

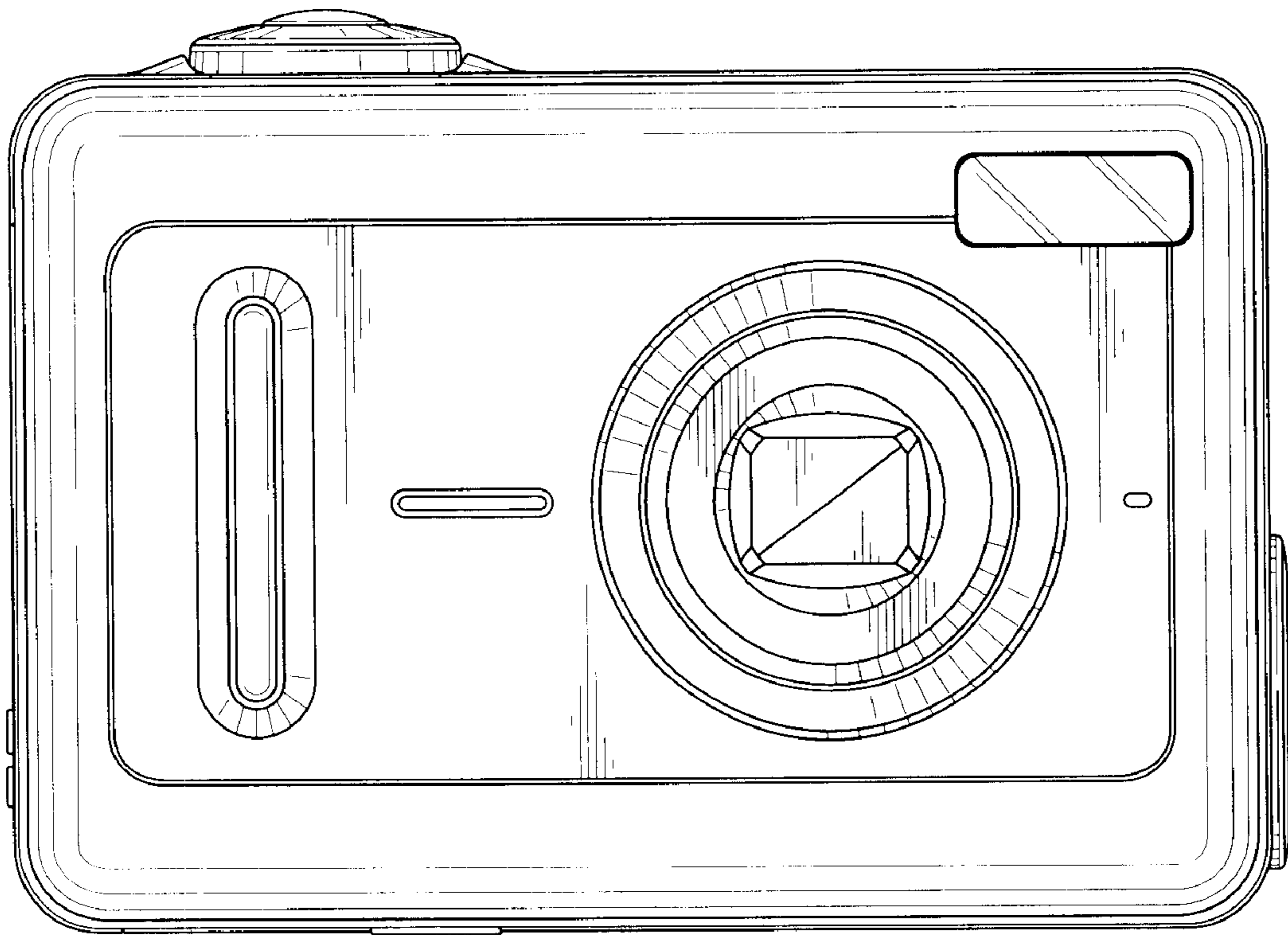


FIG. 4

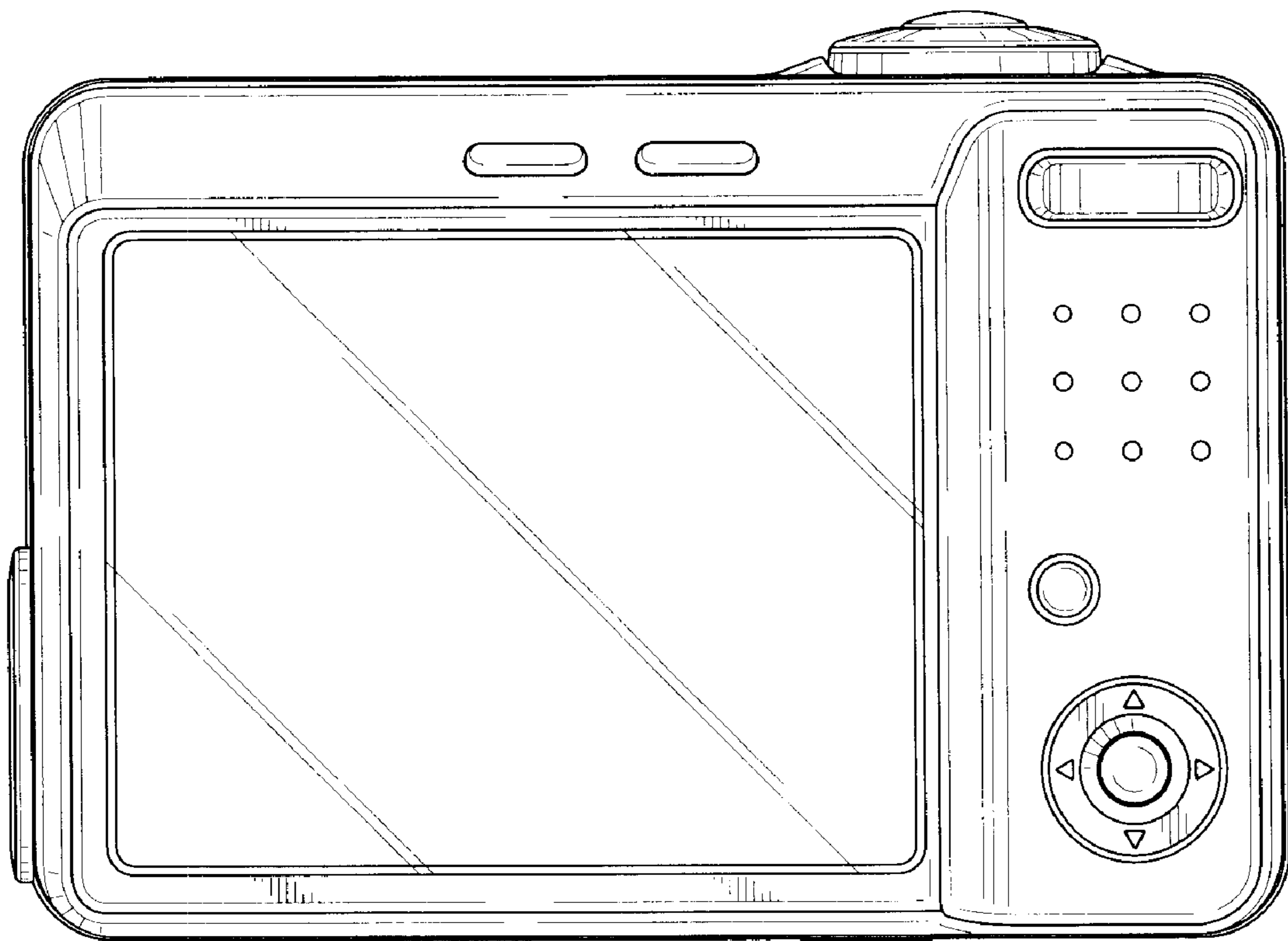


FIG. 5

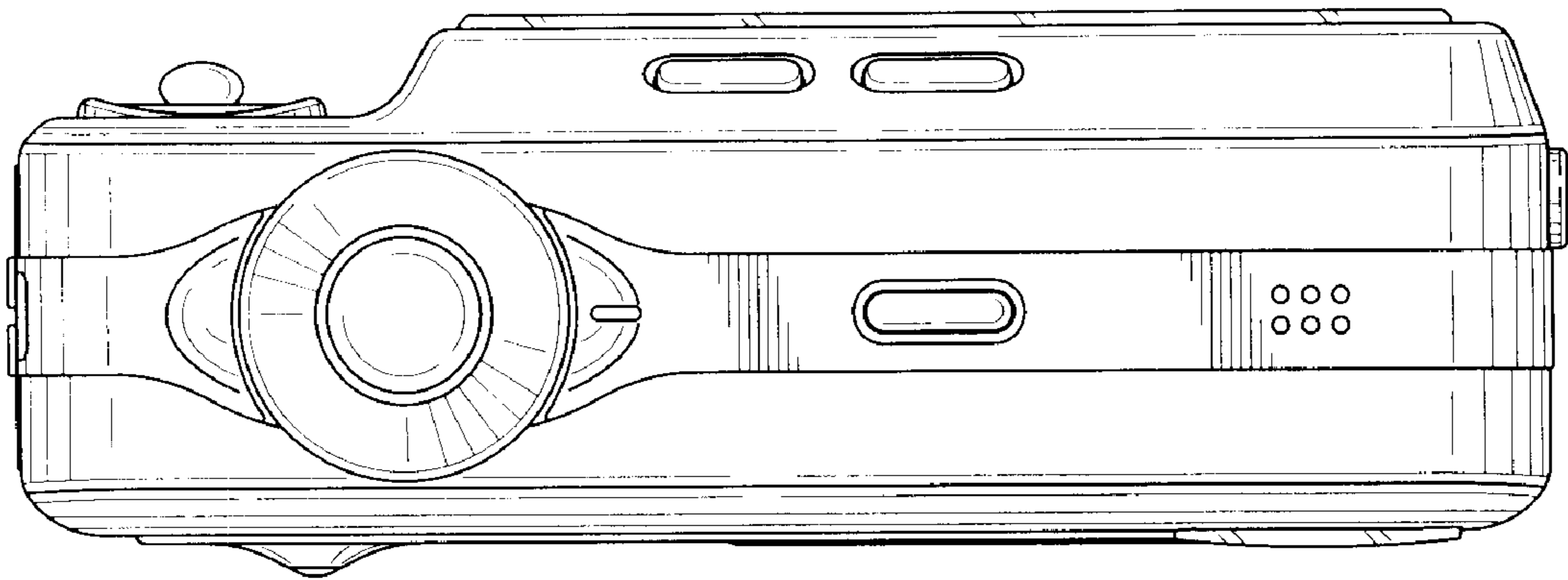


FIG. 6

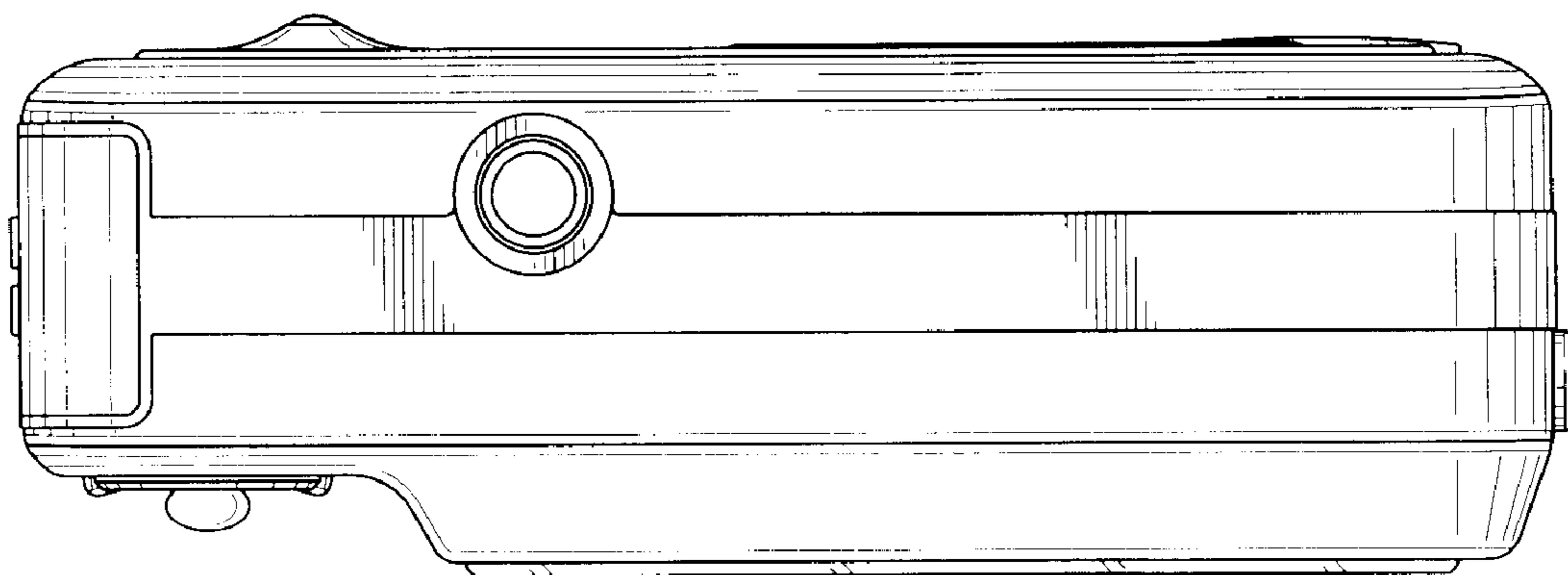


FIG. 7

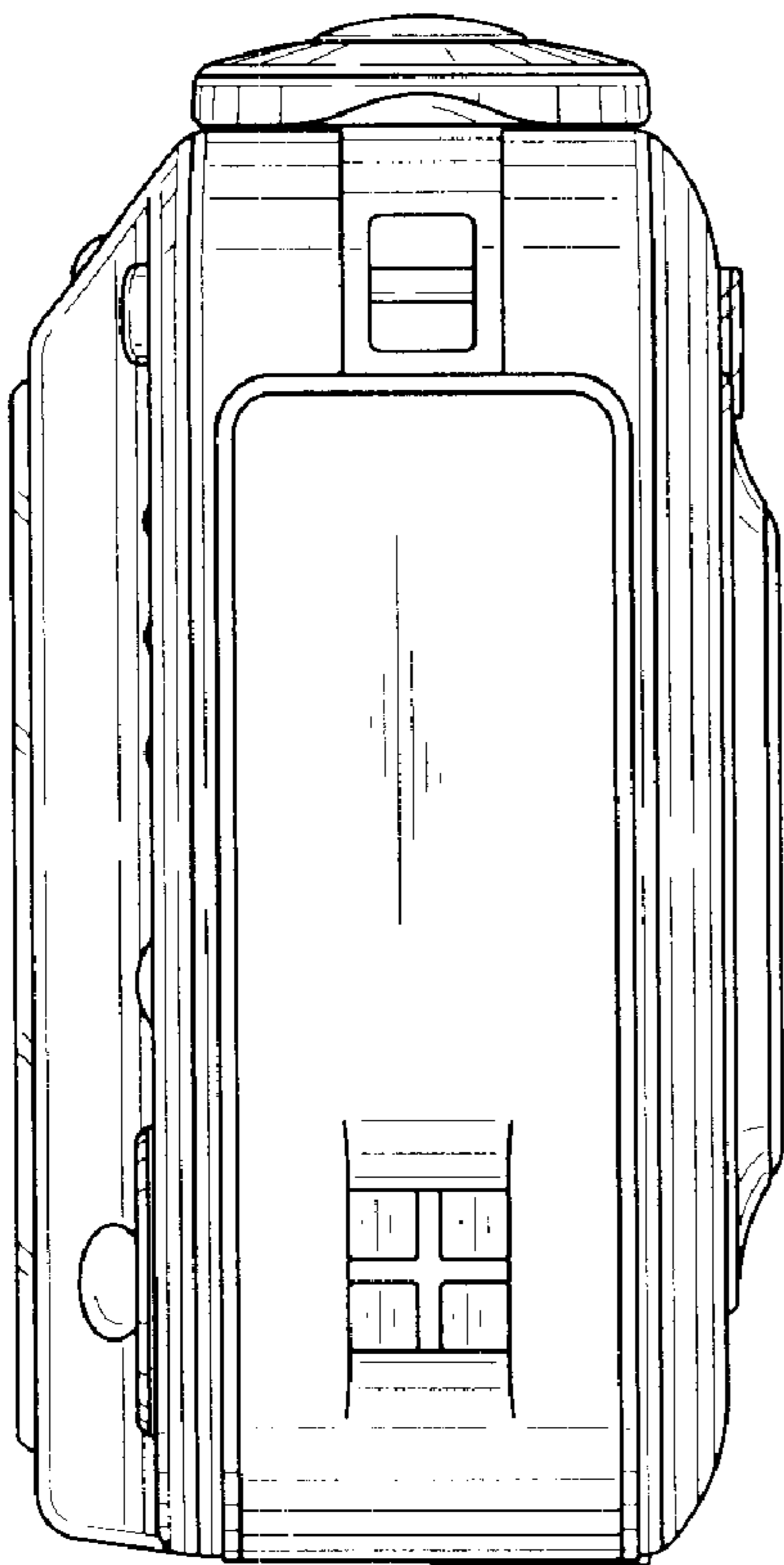


FIG. 8

