



US00D520545S

(12) **United States Design Patent**
Chung et al.

(10) **Patent No.:** **US D520,545 S**

(45) **Date of Patent:** **** May 9, 2006**

(54) **DIGITAL CAMCORDER**

(75) Inventors: **Yeon-Moo Chung**, Seoul (KR);
Won-Gab Byun, Seoul (KR)

(73) Assignee: **Samsung Electronics Co., Ltd.**,
Kyunggi-do (KR)

(**) Term: **14 Years**

(21) Appl. No.: **29/217,939**

(22) Filed: **Nov. 23, 2004**

(51) **LOC (8) Cl.** **16-01**

(52) **U.S. Cl.** **D16/202**

(58) **Field of Classification Search** D16/200–206,
D16/208, 218, 243; 348/373–376; 358/906,
358/909.1; 396/535–541

See application file for complete search history.

(56) **References Cited**

U.S. PATENT DOCUMENTS

4,875,065 A * 10/1989 Kubodera et al. 396/541
D319,068 S * 8/1991 Shinano D16/243

D341,614 S * 11/1993 Okamoto D16/200
D421,618 S * 3/2000 Chen D16/202
D445,816 S * 7/2001 Tanaka D16/203

* cited by examiner

Primary Examiner—Adir Aronovich

(74) *Attorney, Agent, or Firm*—Fynn, Thiel, Boutell &
Tanis, P.C.

(57) **CLAIM**

The ornamental design for a digital camcorder, as shown and described.

DESCRIPTION

FIG. 1. is a top front perspective view of a digital camcorder showing our new design.

FIG. 2. is a front elevational view thereof.

FIG. 3. is a rear elevational view thereof.

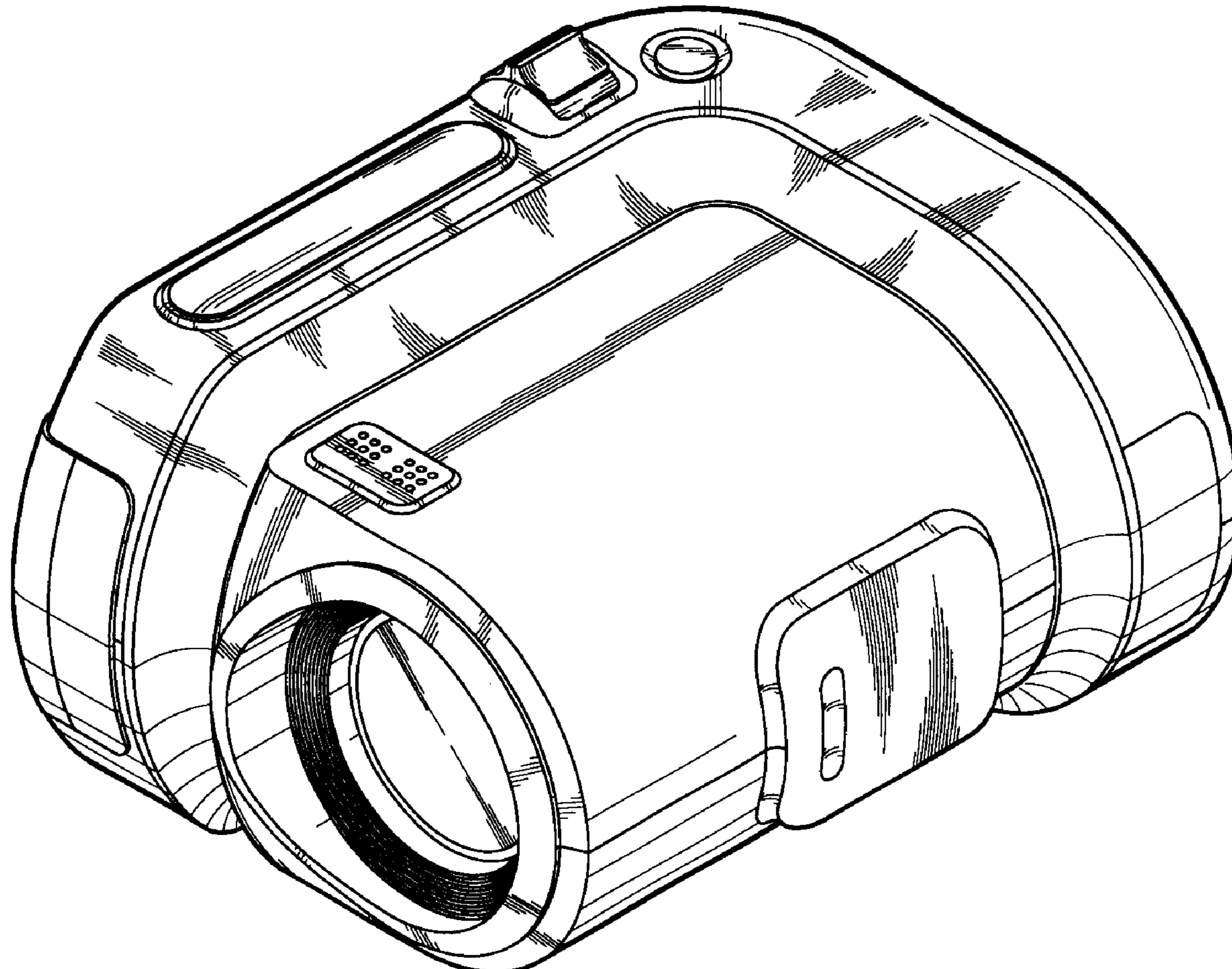
FIG. 4. is a left side elevational view thereof.

FIG. 5. is a right side elevational view thereof.

FIG. 6. is a top plan view thereof; and,

FIG. 7. is a bottom plan view thereof.

1 Claim, 5 Drawing Sheets



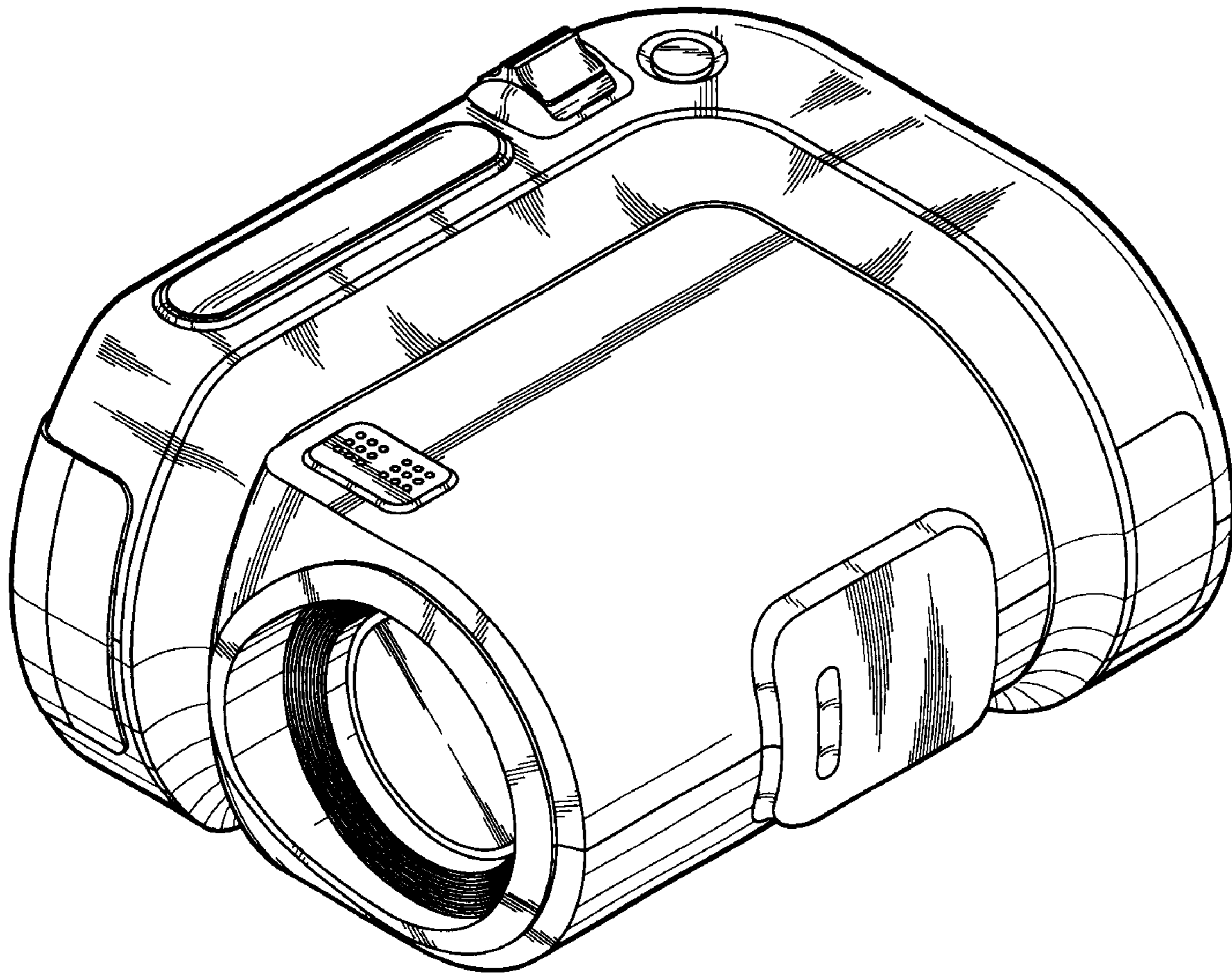


FIG. 1

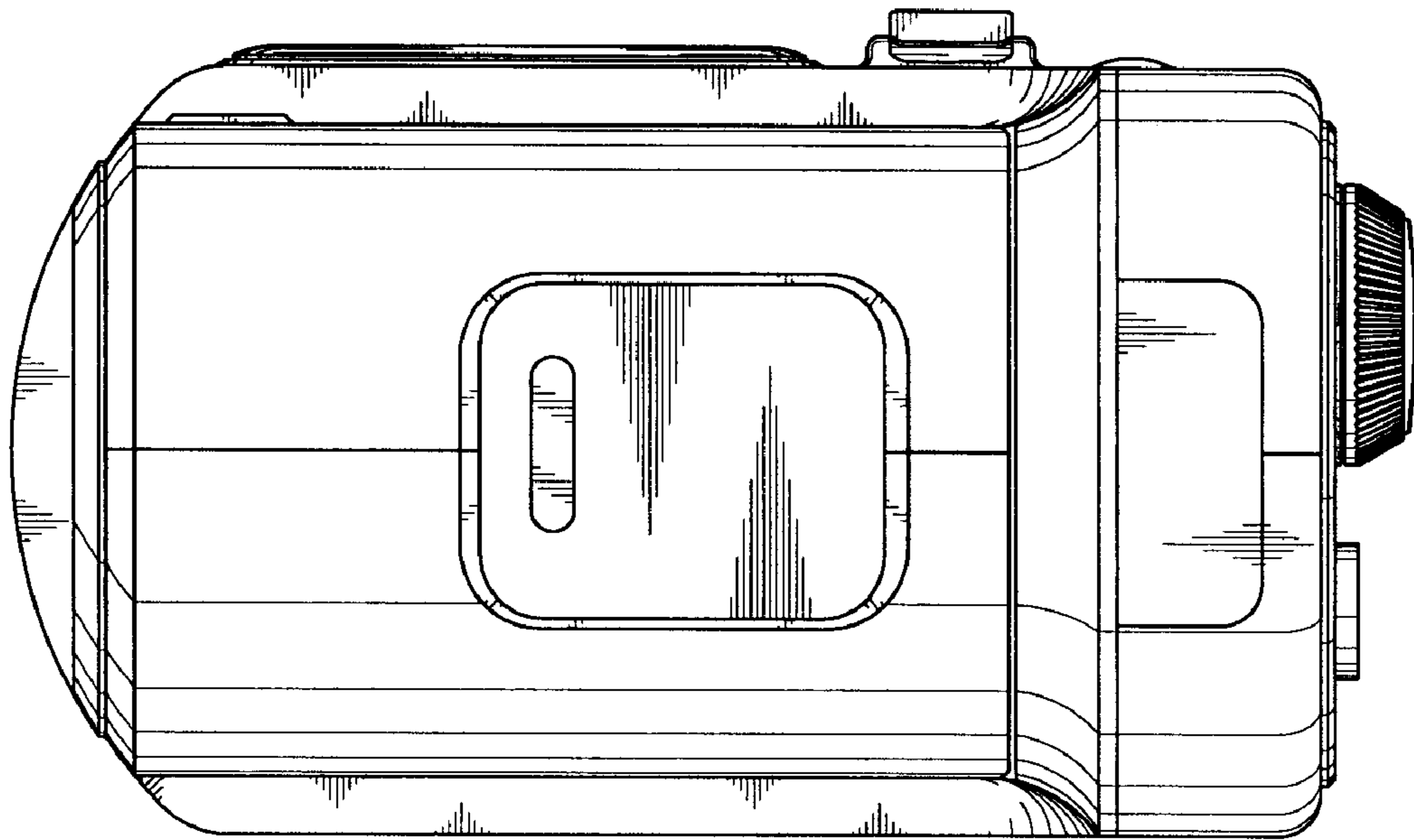


FIG. 2

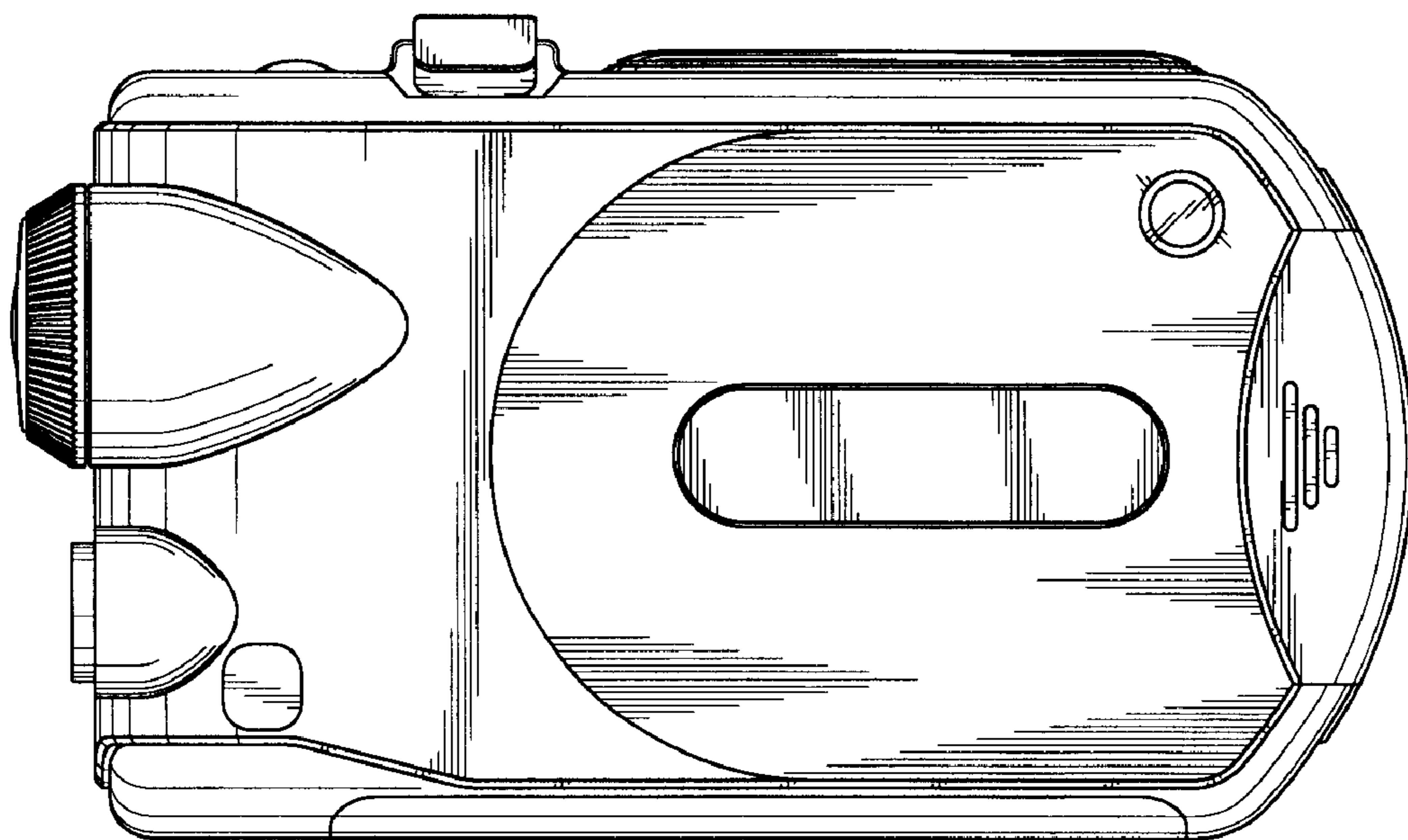


FIG. 3

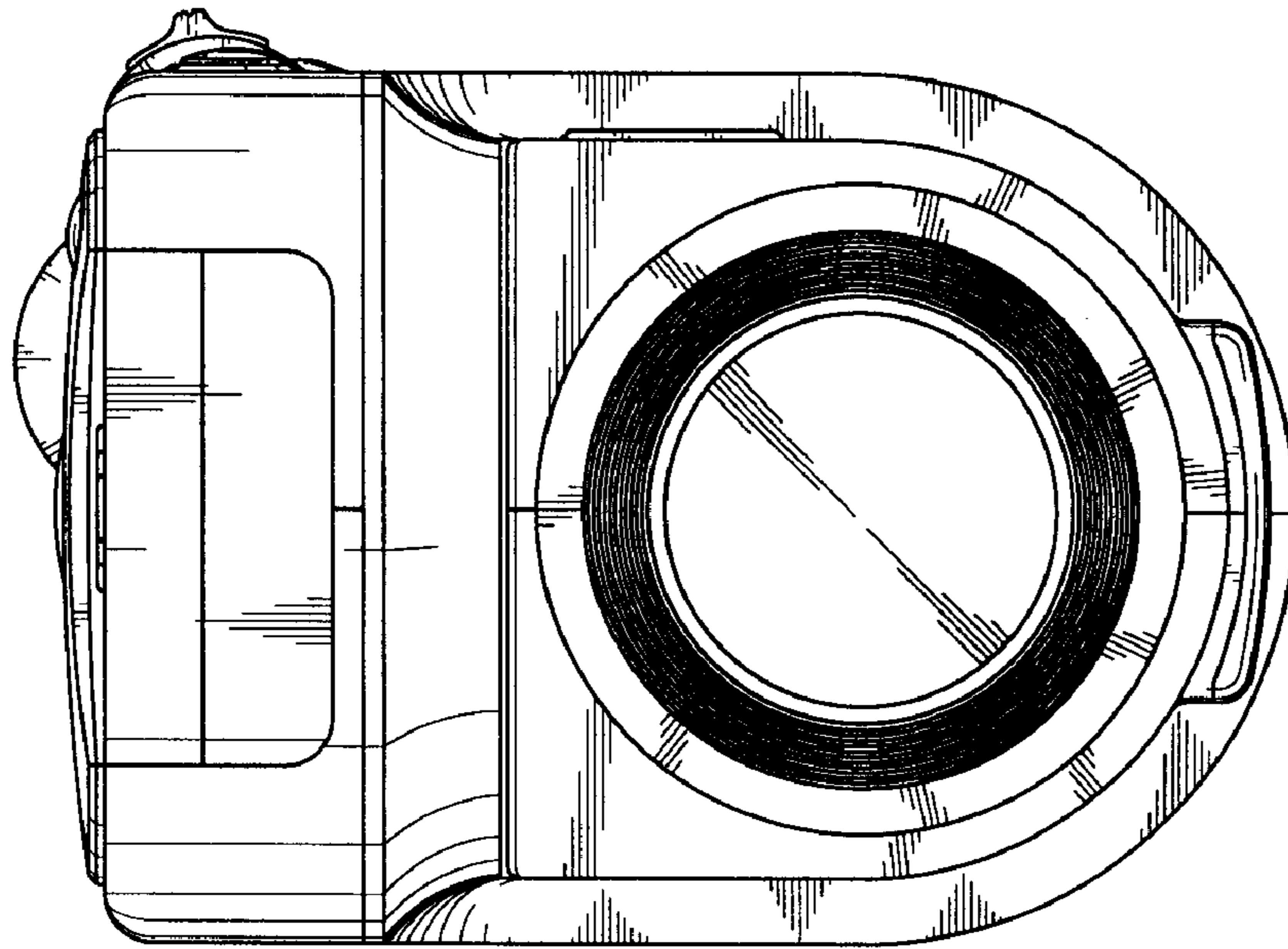


FIG. 4

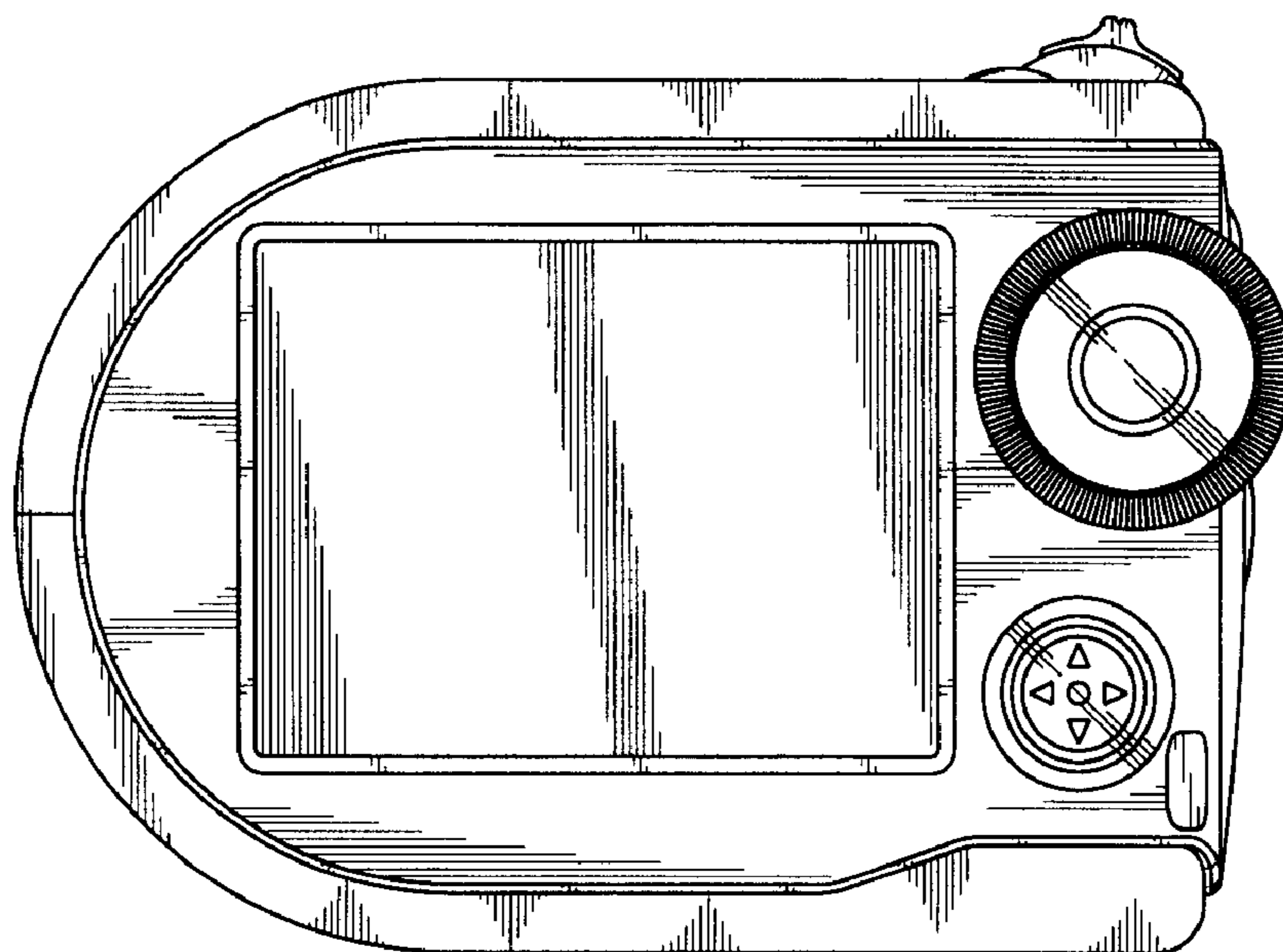


FIG. 5

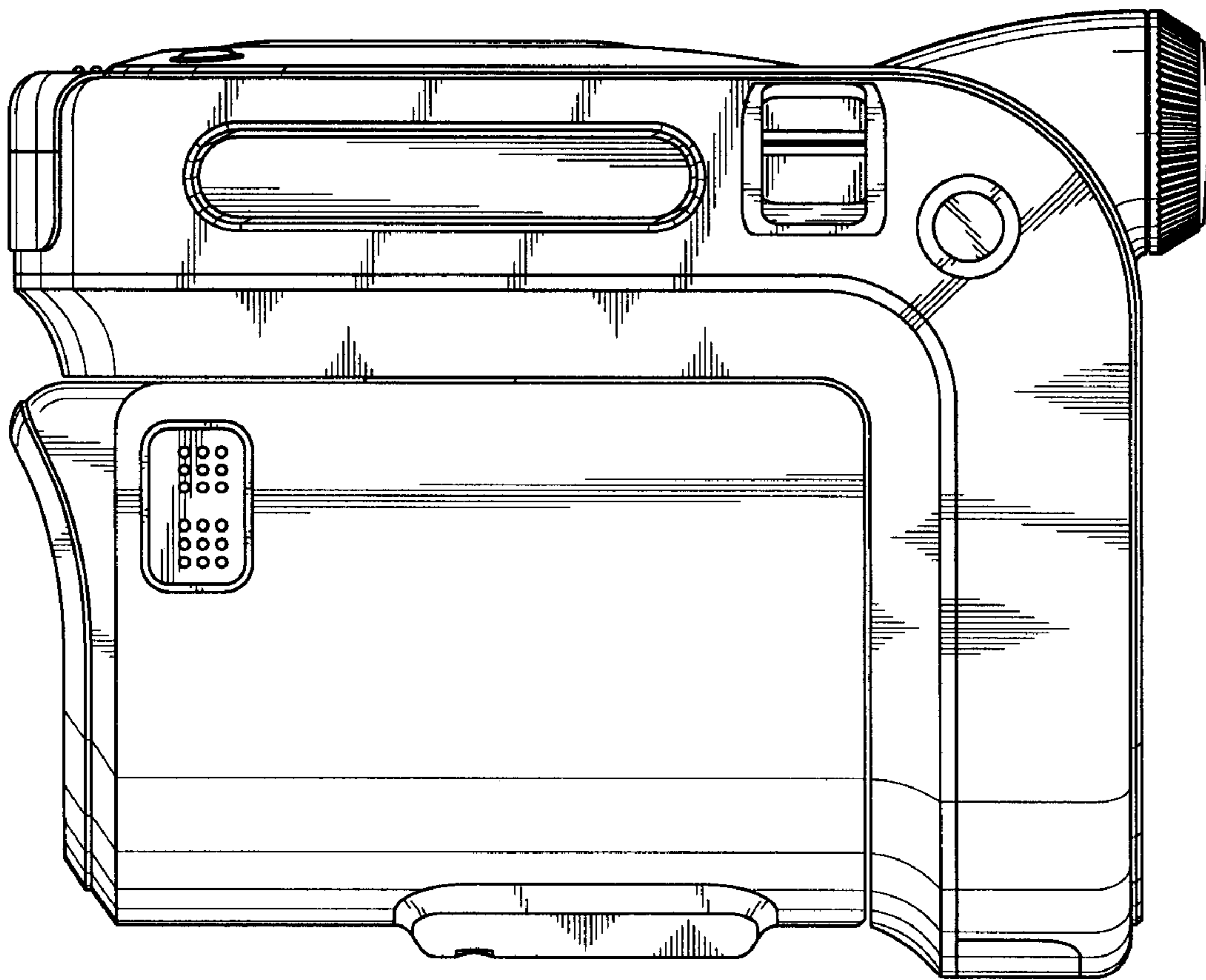


FIG. 6

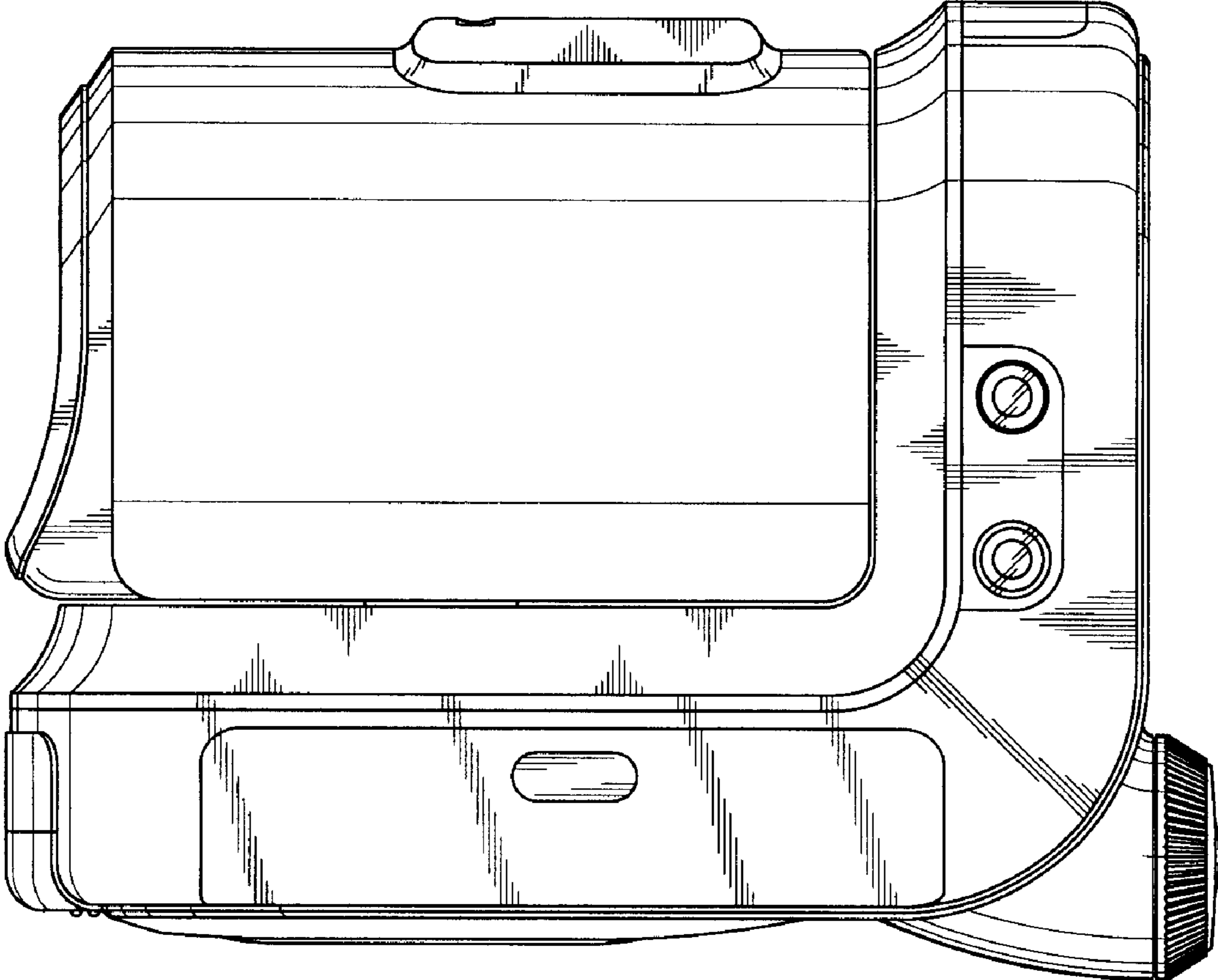


FIG. 7