

US00D520544S

(12) **United States Design Patent**
Senda

(10) **Patent No.:** **US D520,544 S**

(45) **Date of Patent:** **** May 9, 2006**

(54) **ELECTRONIC CAMERA**

(75) Inventor: **Yutaka Senda**, Tokyo (JP)

(73) Assignee: **Fuji Photo Co., Ltd.**, Kanagawa (JP)

(**) Term: **14 Years**

(21) Appl. No.: **29/217,761**

(22) Filed: **Nov. 23, 2004**

(30) **Foreign Application Priority Data**

May 28, 2004 (JP) 2004-015884

(51) **LOC (8) Cl.** **16-01**

(52) **U.S. Cl.** **D16/202; D16/206; D16/209**

(58) **Field of Classification Search** D16/200–206,
D16/208, 209, 218; 348/373–376; 358/909.1;
396/176, 177, 535–541

See application file for complete search history.

(56) **References Cited**

U.S. PATENT DOCUMENTS

5,721,984 A	*	2/1998	Kaneko et al.	396/177
D418,851 S	*	1/2000	Goto et al.	D16/202
D431,583 S	*	10/2000	Matsuda	D16/202
D456,430 S	*	4/2002	Kobayashi et al.	D16/202
D462,706 S	*	9/2002	Hamamura	D16/202

D481,051 S	*	10/2003	Isozaki et al.	D16/202
D486,508 S	*	2/2004	Shimobayashi	D16/202

* cited by examiner

Primary Examiner—Adir Aronovich

(74) *Attorney, Agent, or Firm*—Young & Thompson

(57) **CLAIM**

The ornamental design for an electronic camera, as shown and described.

DESCRIPTION

FIG. 1 is a top, front and left side perspective view of an electronic camera showing my new design;
 FIG. 2 is a front elevational view thereof;
 FIG. 3 is a rear elevational view thereof;
 FIG. 4 is a top plan view thereof;
 FIG. 5 is a bottom plan view thereof;
 FIG. 6 is a side elevational view thereof from the left of FIG. 2;
 FIG. 7 is a side elevational view thereof from the right of FIG. 2;
 FIG. 8 is a top, front and left side perspective view with a pop-up flash in an open position; and,
 FIG. 9 is a top, front and left side perspective view with the lens barrel in a closed position.

1 Claim, 5 Drawing Sheets

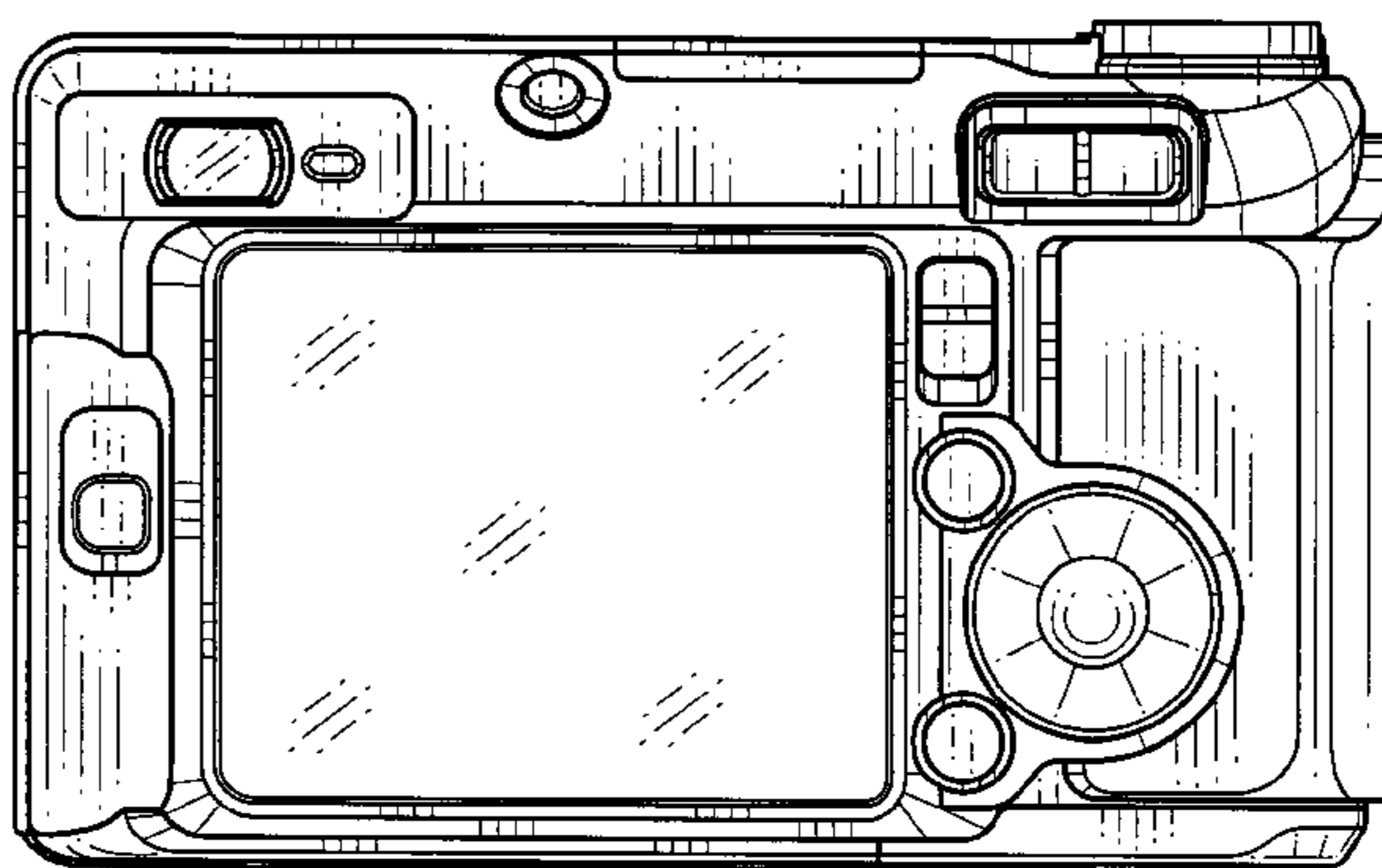
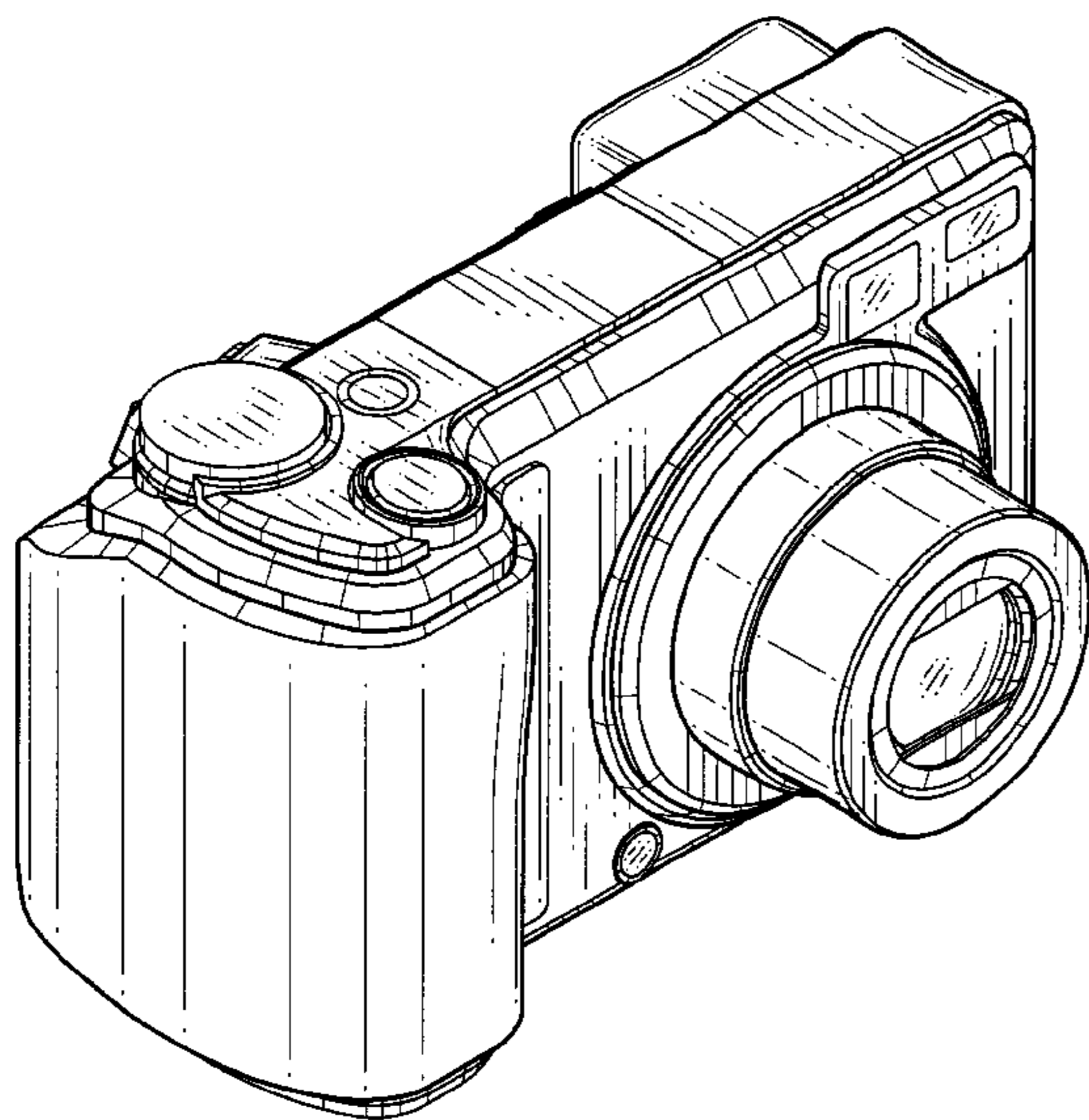


FIG.1

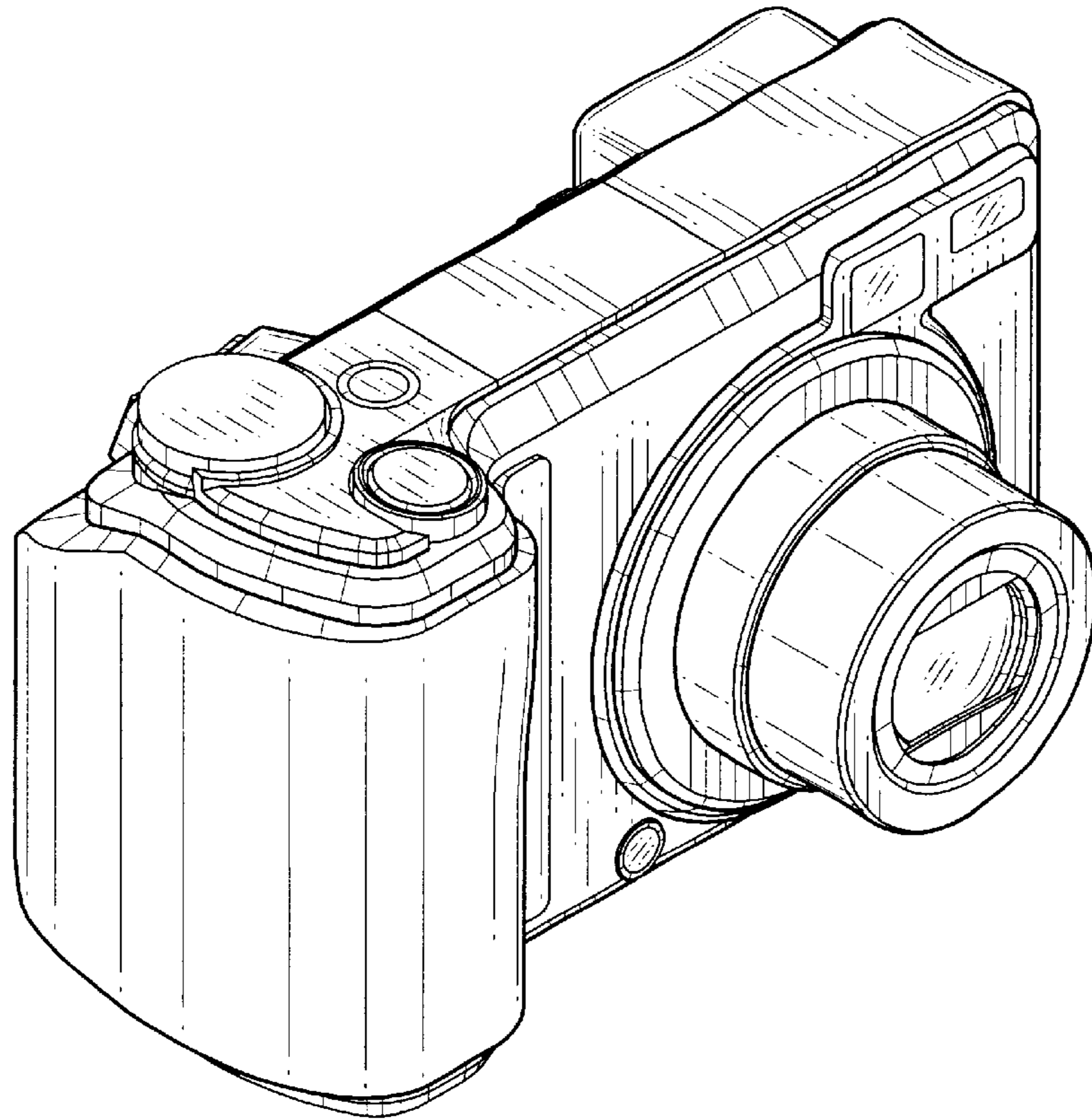


FIG.2

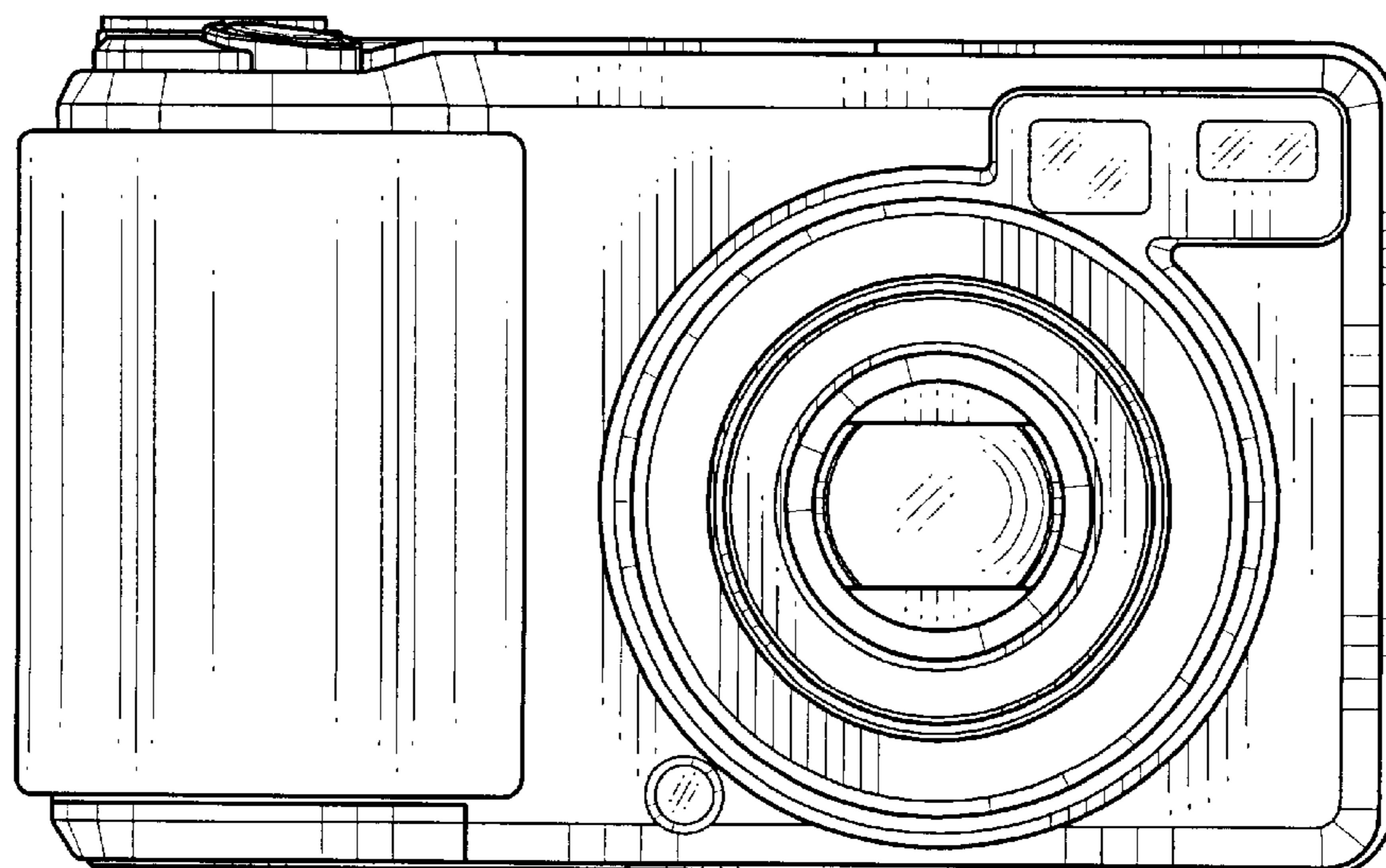


FIG.3

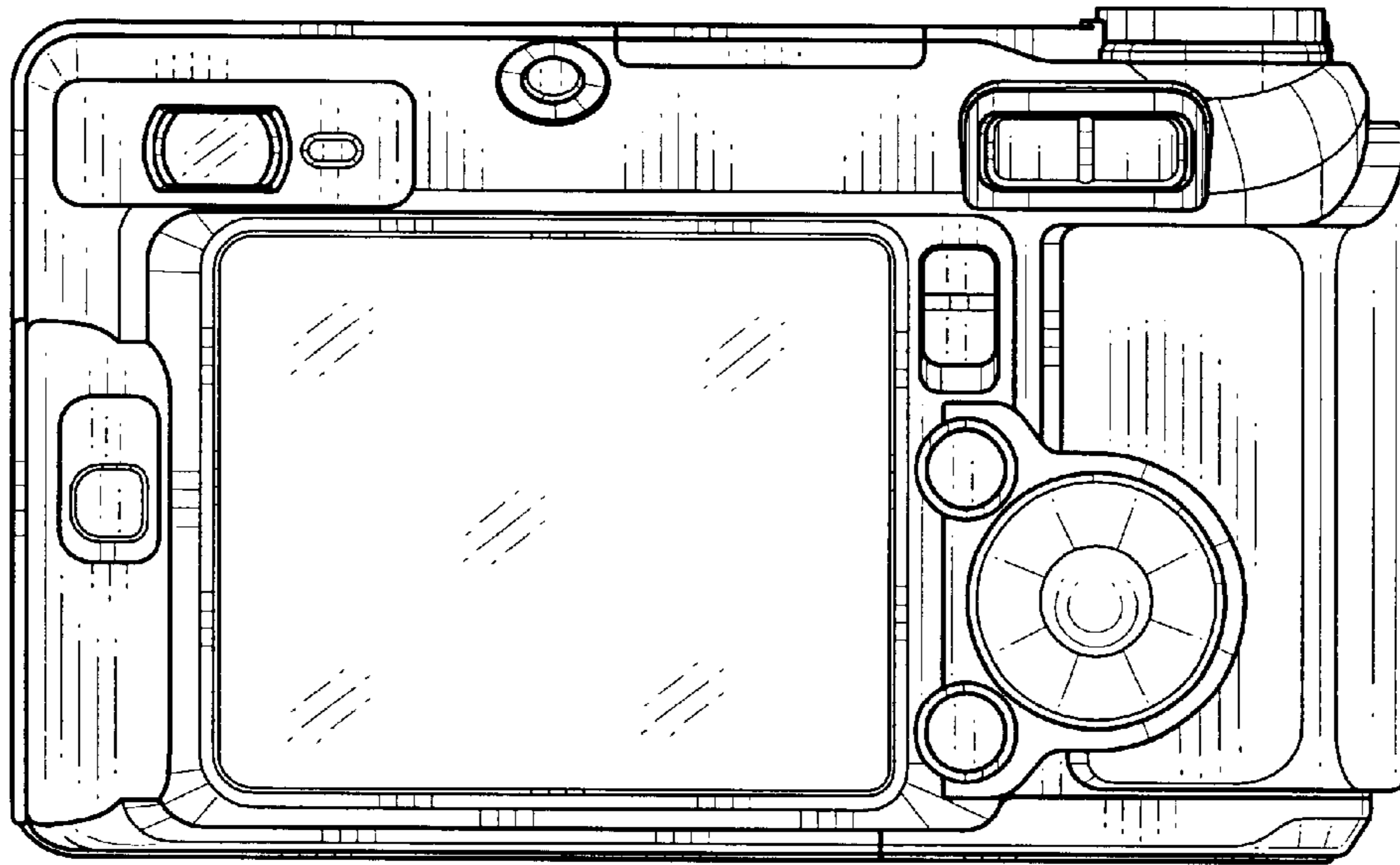


FIG.4

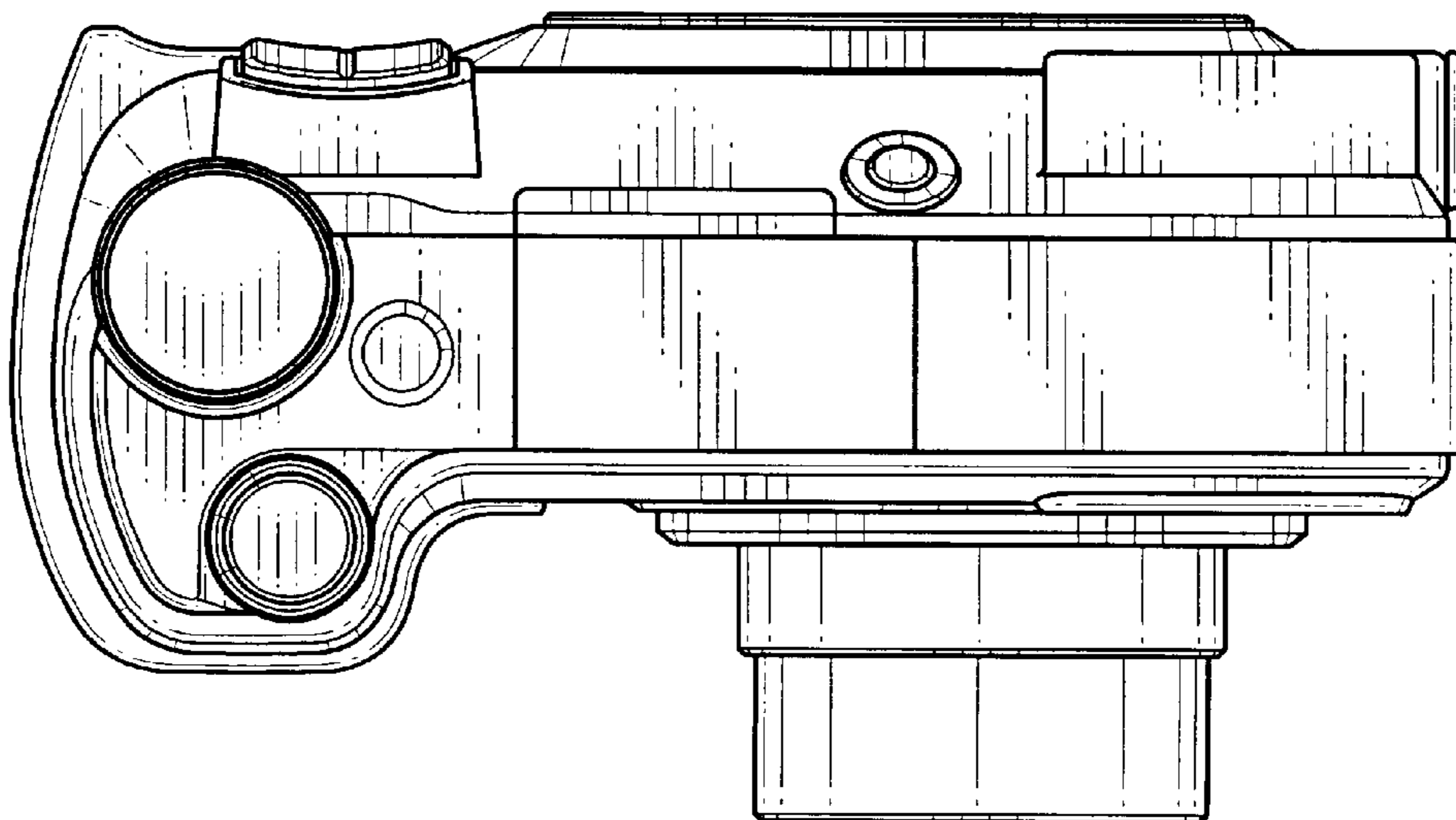


FIG.5

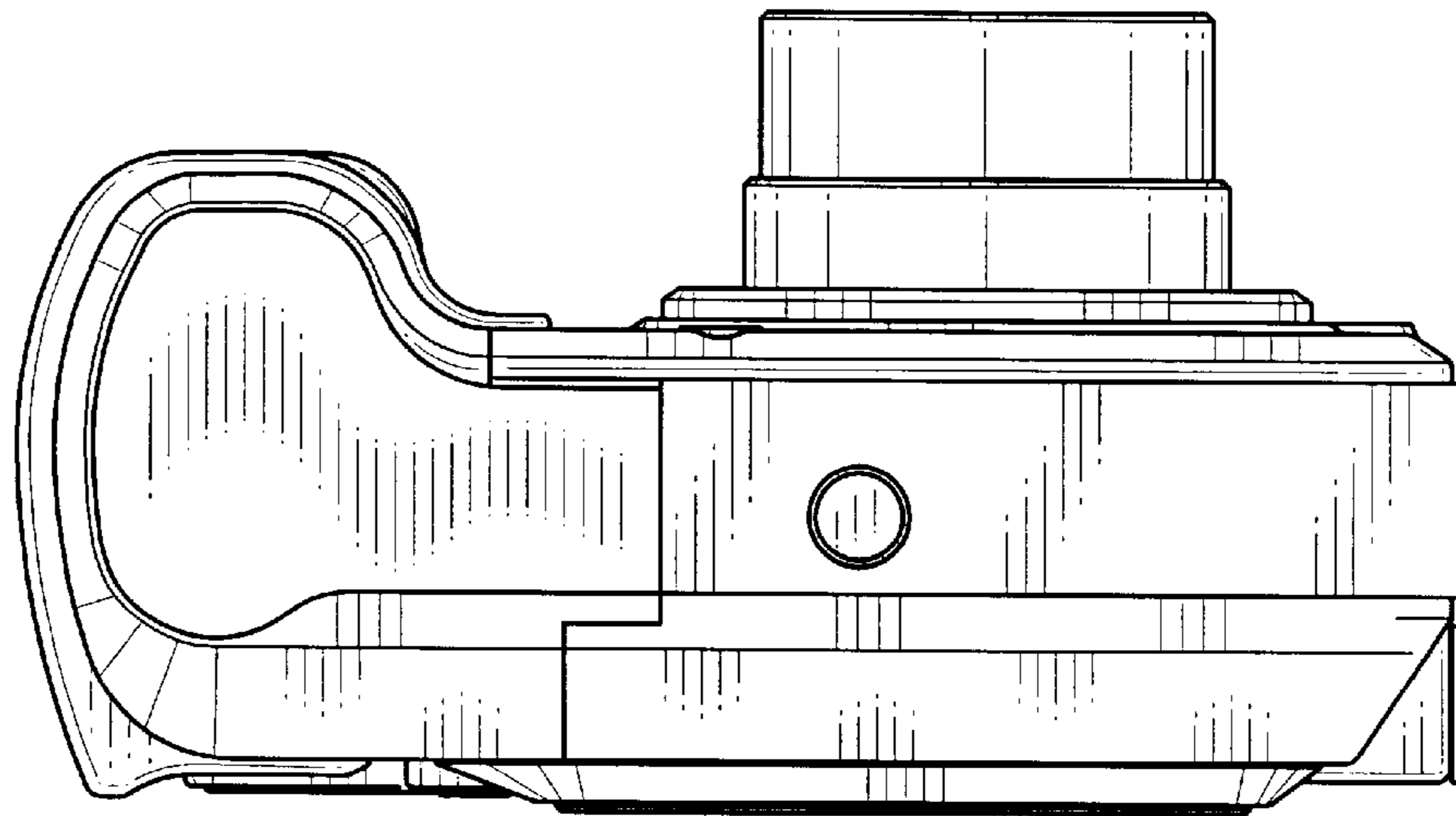


FIG.6

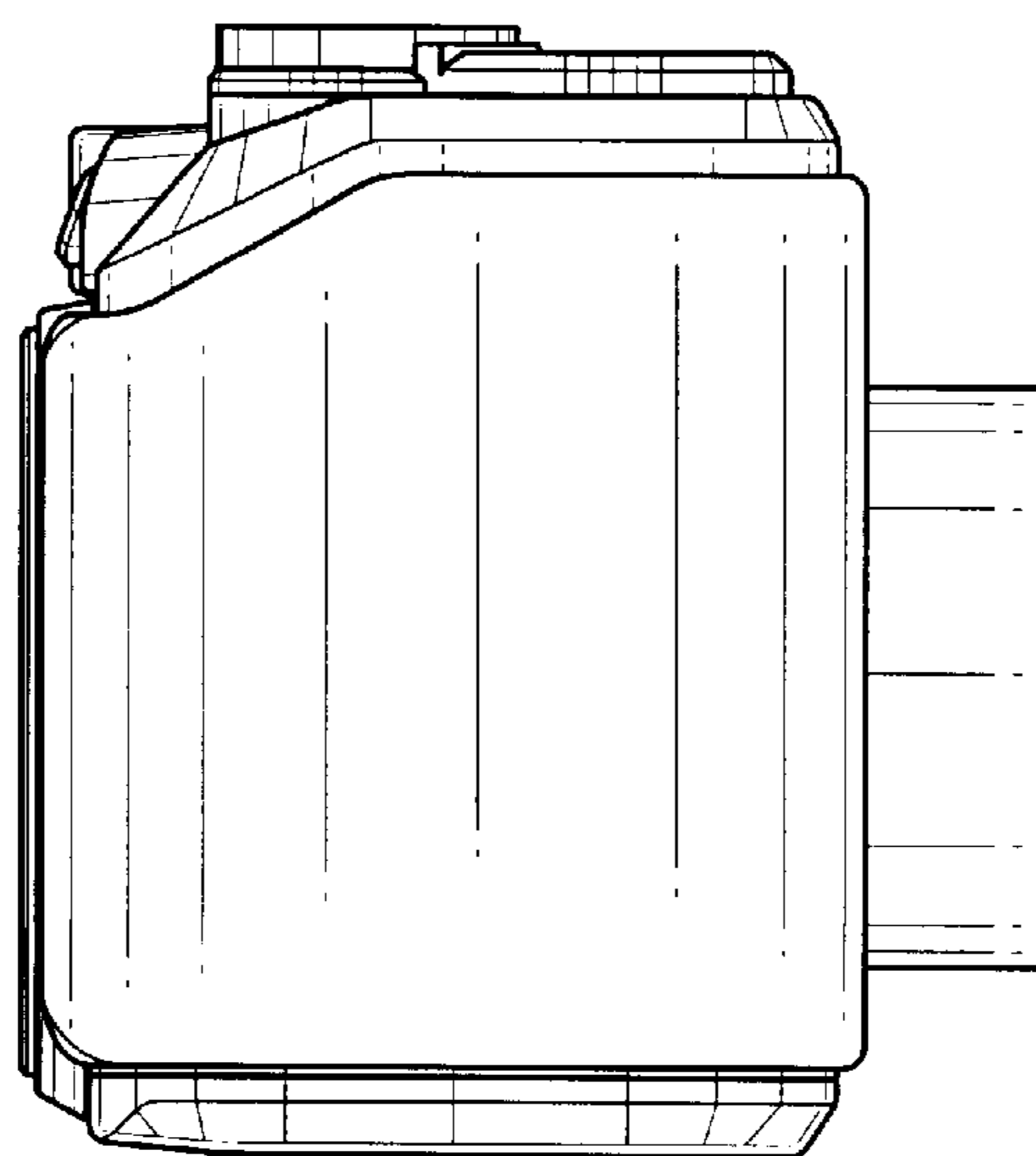


FIG. 7

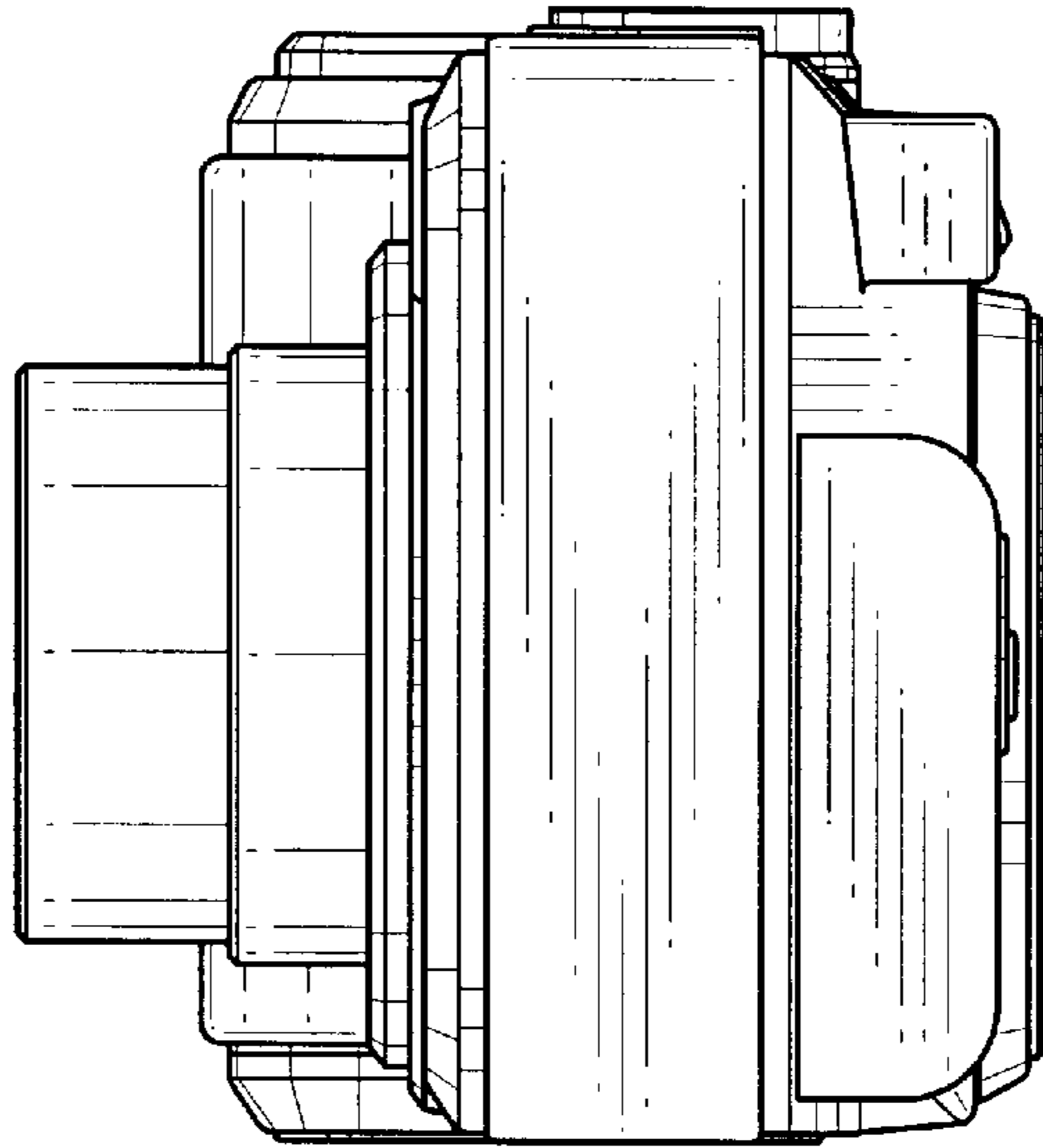


FIG. 8

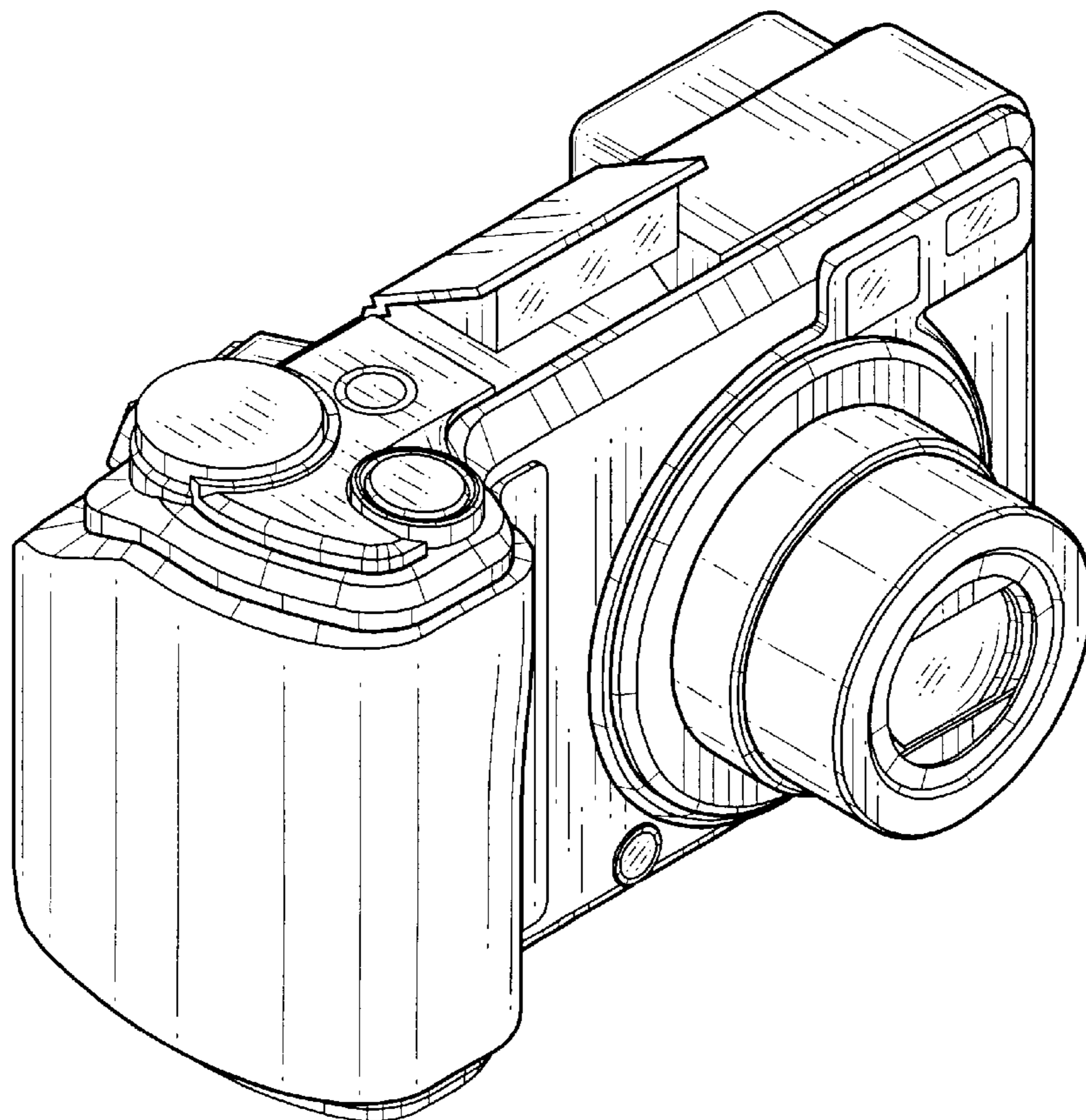


FIG. 9

