



US00D520542S

(12) **United States Design Patent**
Suzuki et al.

(10) **Patent No.:** **US D520,542 S**
(45) **Date of Patent:** **** May 9, 2006**

(54) **STEREOMICROSCOPE**

(75) Inventors: **Koji Suzuki**, Hachioji (JP); **Hideki Obuchi**, Hachioji (JP); **Hironori Utsugi**, Hachioji (JP); **Naoto Yoshida**, Ina (JP); **Yukio Nonoda**, Ina (JP)

(73) Assignee: **Olympus Corporation**, Tokyo (JP)

(**) Term: **14 Years**

(21) Appl. No.: **29/196,014**

(22) Filed: **Dec. 19, 2003**

(30) **Foreign Application Priority Data**

Jun. 27, 2003 (JP) 2003-018494
Jun. 27, 2003 (JP) 2003-018498
Jun. 27, 2003 (JP) 2003-018499

(51) **LOC (8) Cl.** **16-06**

(52) **U.S. Cl.** **D16/131**

(58) **Field of Classification Search** D16/130,
D16/131; 359/382, 383, 384, 385, 368, 375,
359/376, 377, 378, 379, 381, 388, 390, 393
See application file for complete search history.

(56) **References Cited**

U.S. PATENT DOCUMENTS

D184,487 S * 2/1959 Maier D16/131
5,119,233 A * 6/1992 Hayashi 359/390
D345,746 S * 4/1994 Holbl D16/131
D345,747 S * 4/1994 Holbl D16/131
D367,869 S * 3/1996 Hofmann-Igl et al. D16/131
D420,028 S * 2/2000 Wani et al. D16/131
D440,996 S * 4/2001 Takanashi D16/131
D459,744 S 7/2002 Apotheloz
D460,772 S 7/2002 Apotheloz

FOREIGN PATENT DOCUMENTS

GB 1059289 5/1989
JP 689273 10/1986
JP 804457 1/1991
JP 804458 1/1991
JP 804457-1 1/1991
JP 804457-2 1/1991
JP 1030303 1/1999

* cited by examiner

Primary Examiner—Paula A. Greene

(74) *Attorney, Agent, or Firm*—Hogan & Hartson LLP

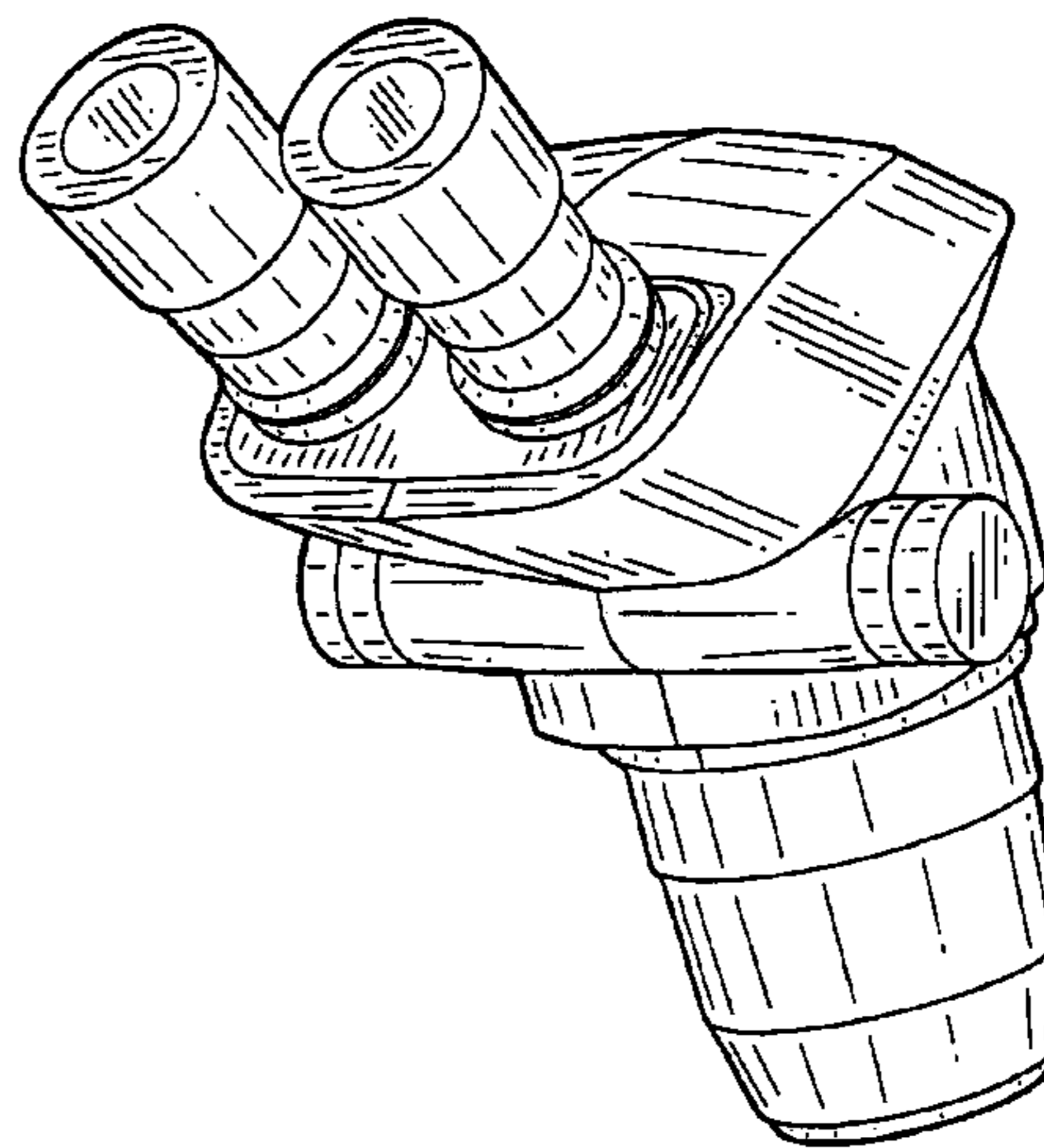
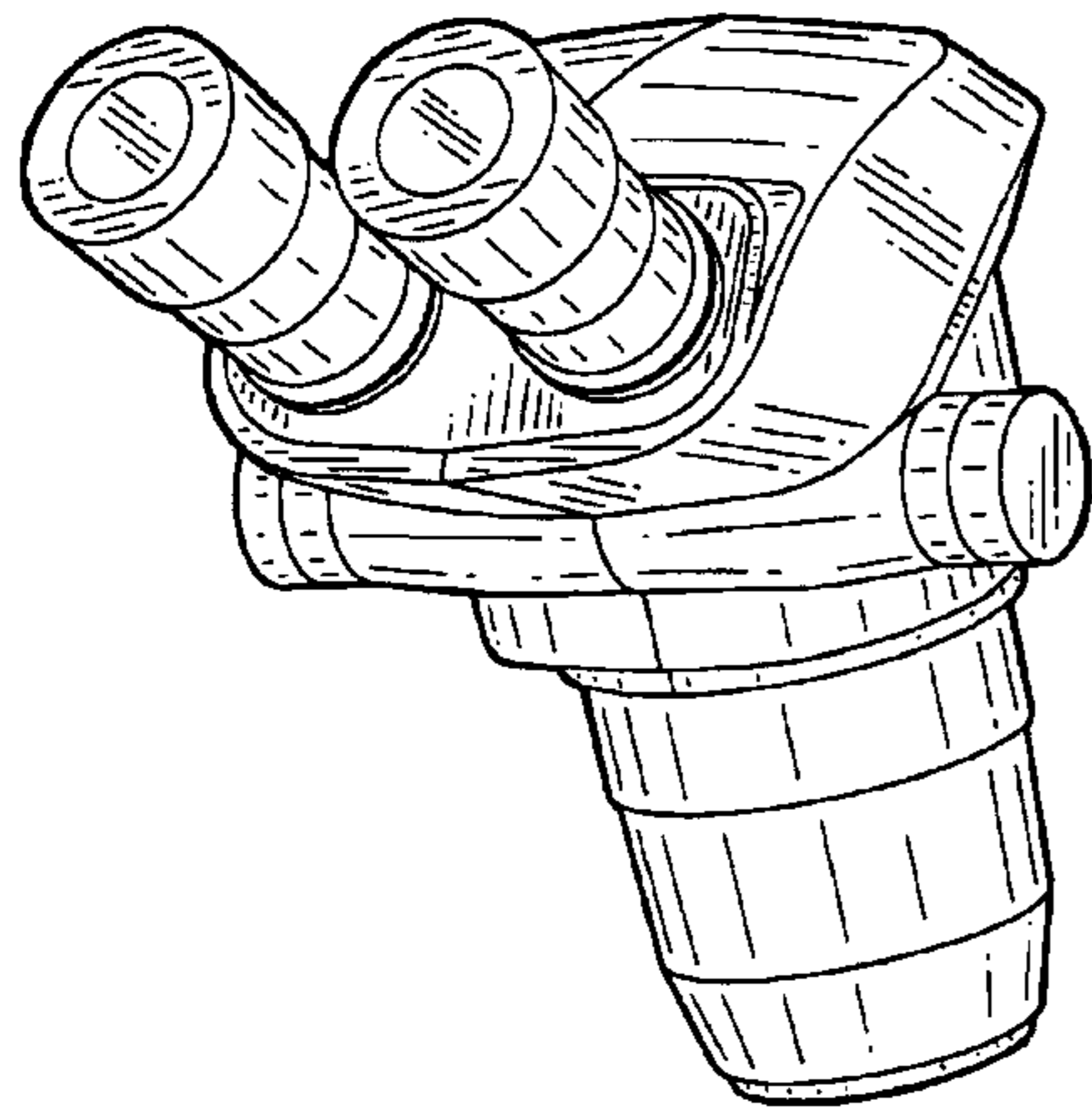
(57) **CLAIM**

The ornamental design for a stereomicroscope, as shown and described.

DESCRIPTION

FIG. 1 is a perspective view of a stereomicroscope, showing our new design;
FIG. 2 is a front elevational view thereof;
FIG. 3 is a rear elevational view thereof;
FIG. 4 is a top plan view thereof;
FIG. 5 is a bottom plan view thereof;
FIG. 6 is a right side elevational view thereof;
FIG. 7 is a left side elevational view thereof;
FIG. 8 is a perspective view of a second embodiment of the stereomicroscope;
FIG. 9 is a front elevational view thereof;
FIG. 10 is a rear elevational view thereof;
FIG. 11 is a top plan view thereof;
FIG. 12 is a bottom plan view thereof;
FIG. 13 is a right side elevational view thereof; and,
FIG. 14 is a left side elevational view thereof.

1 Claim, 8 Drawing Sheets



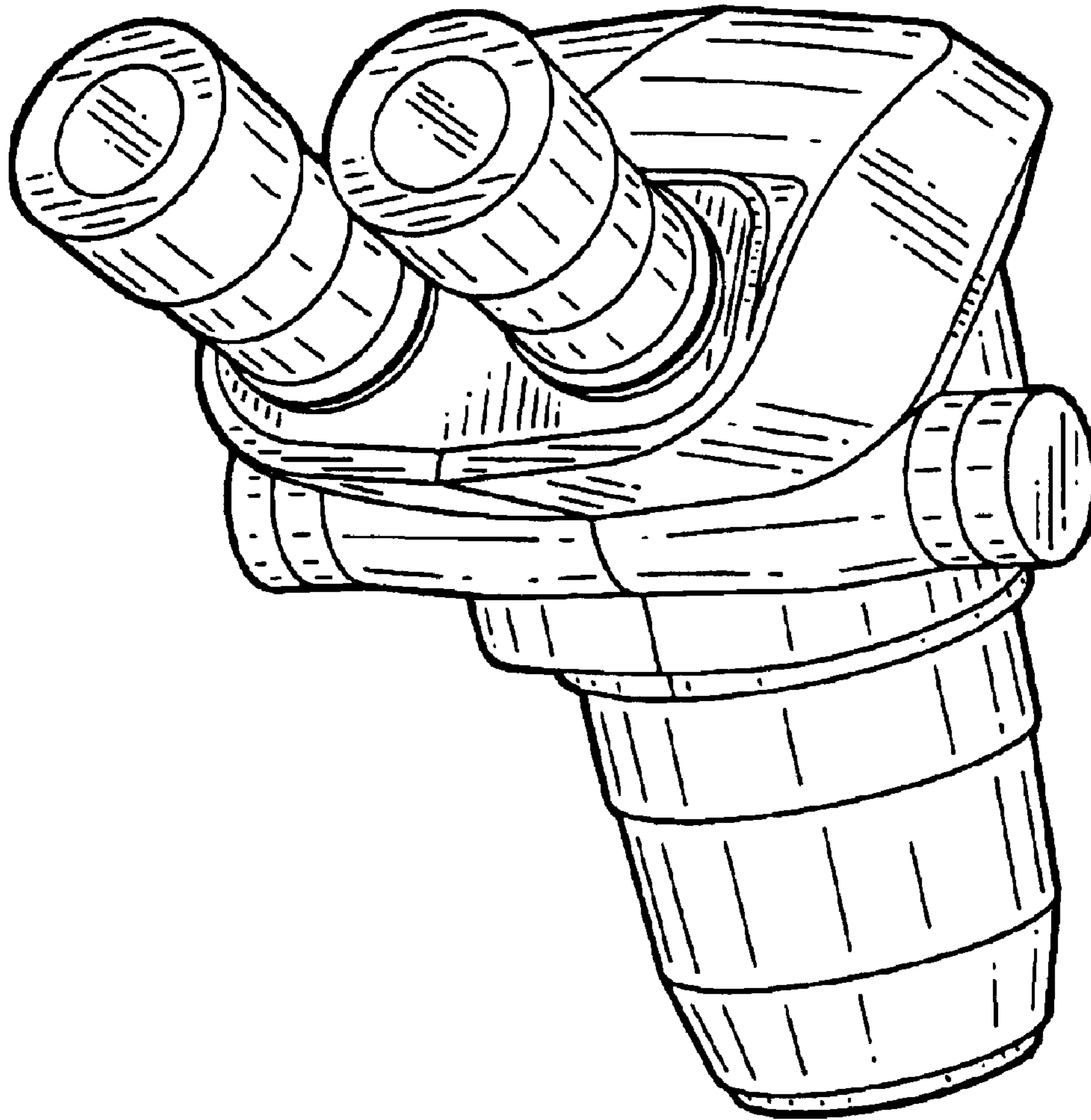


Fig. 1

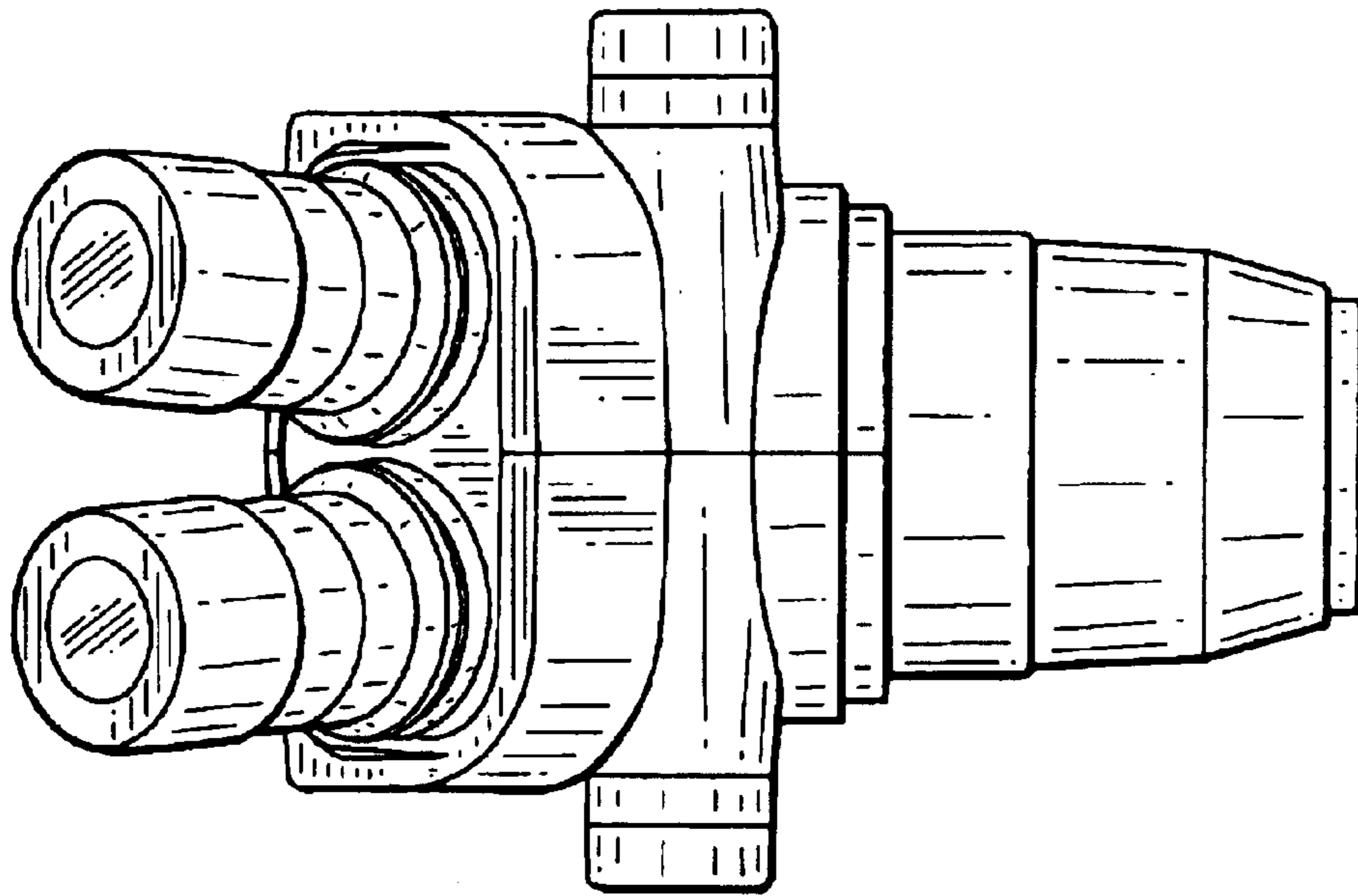


Fig. 2

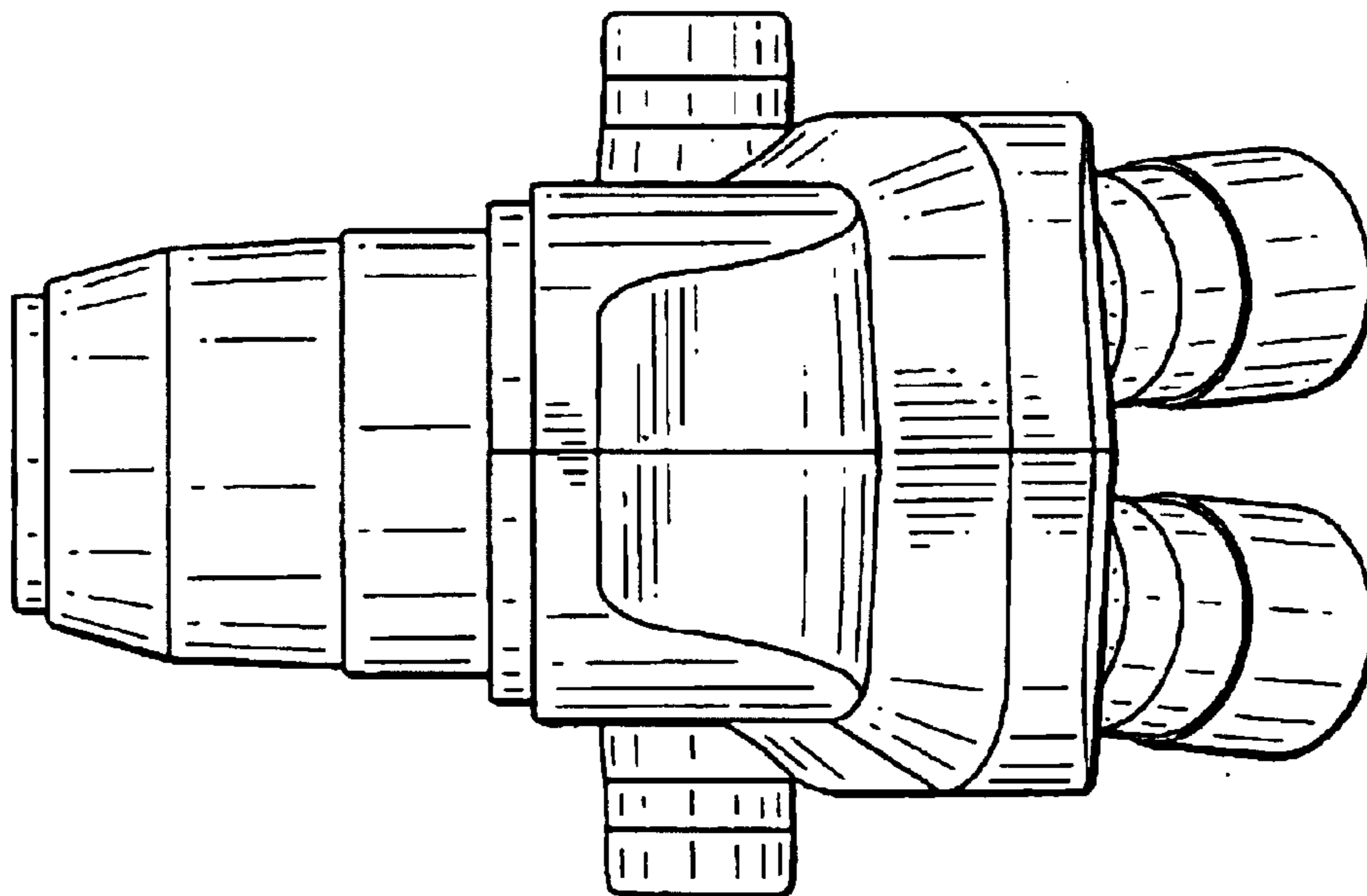


Fig. 3

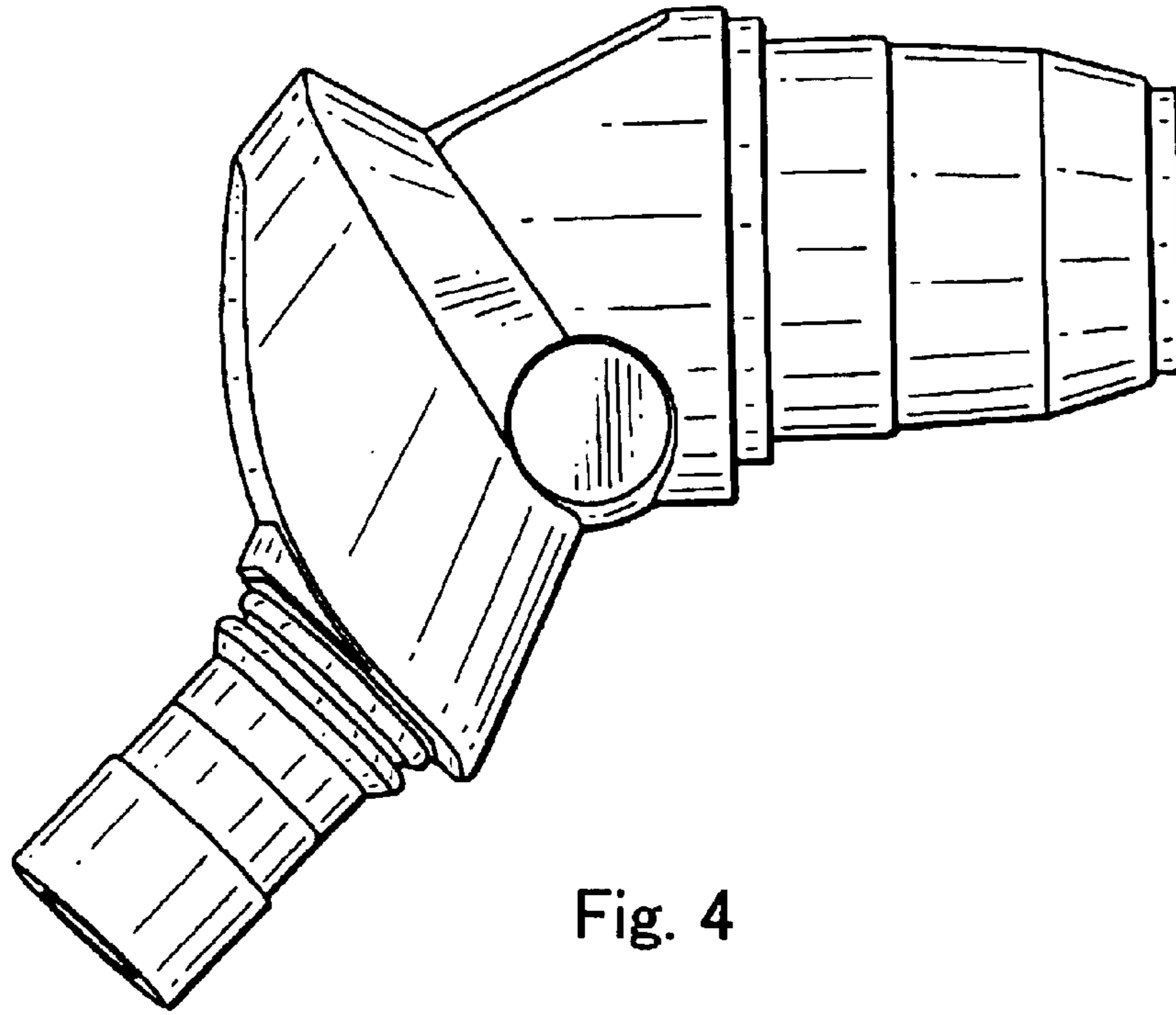


Fig. 4

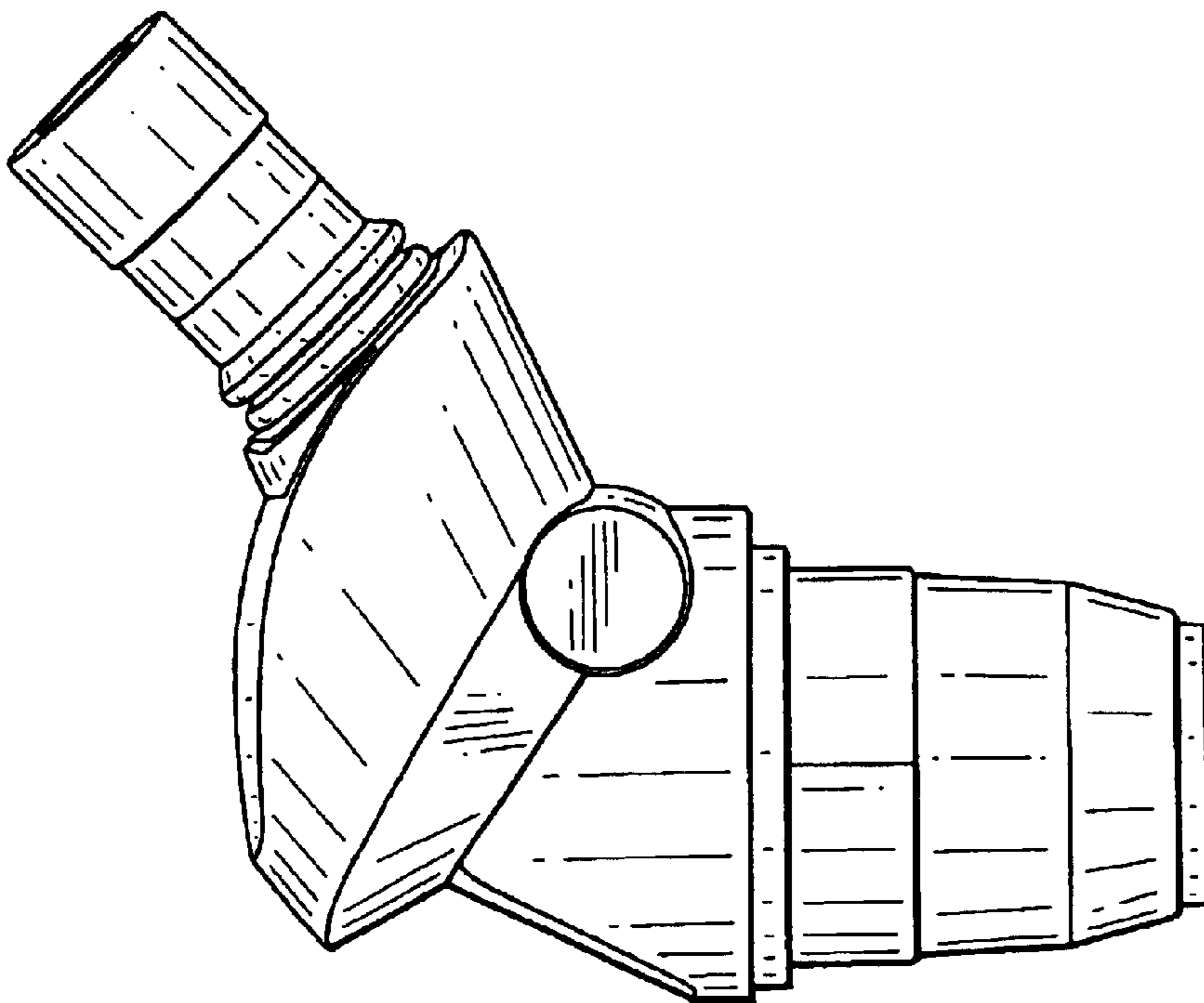


Fig. 5

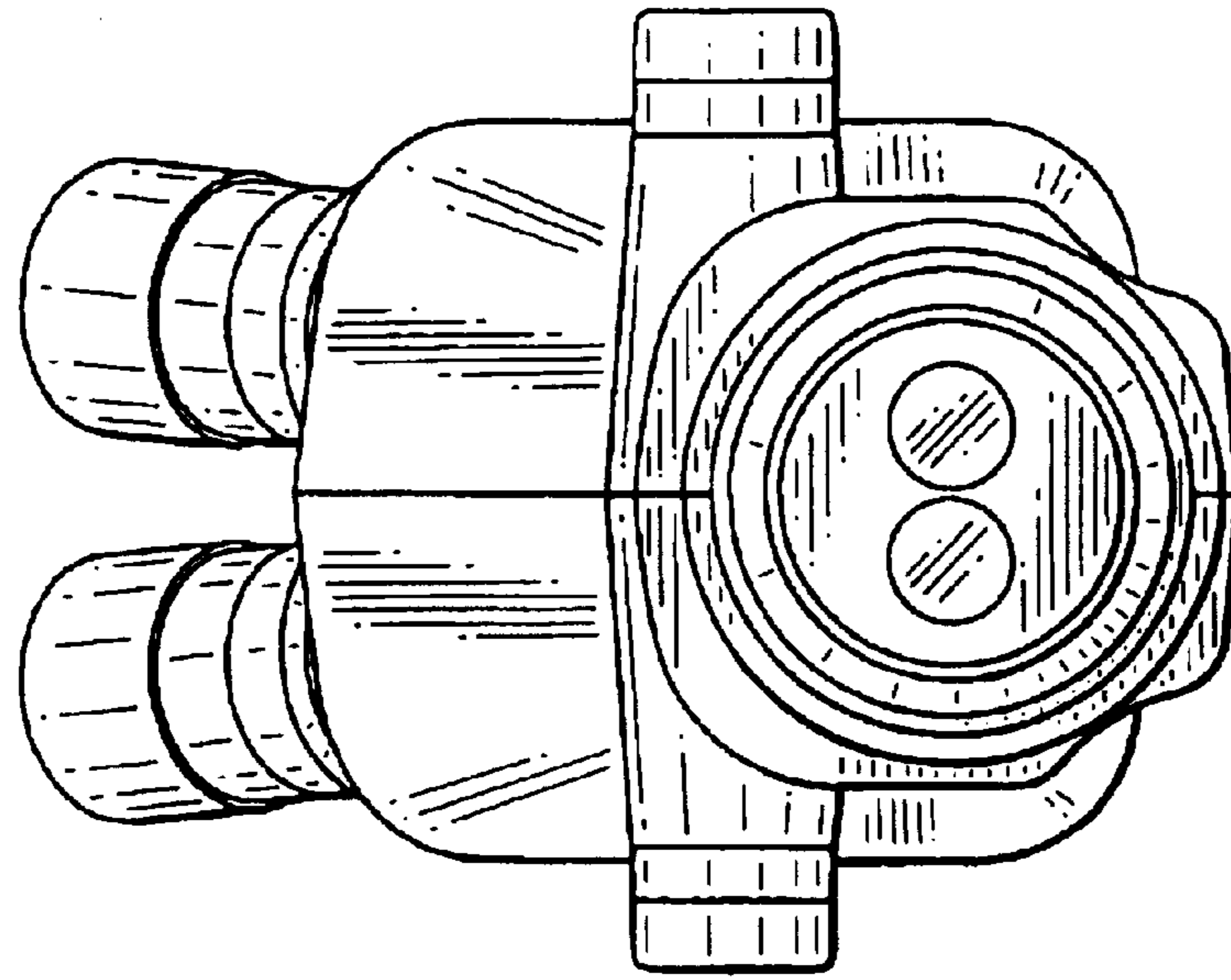


Fig. 6

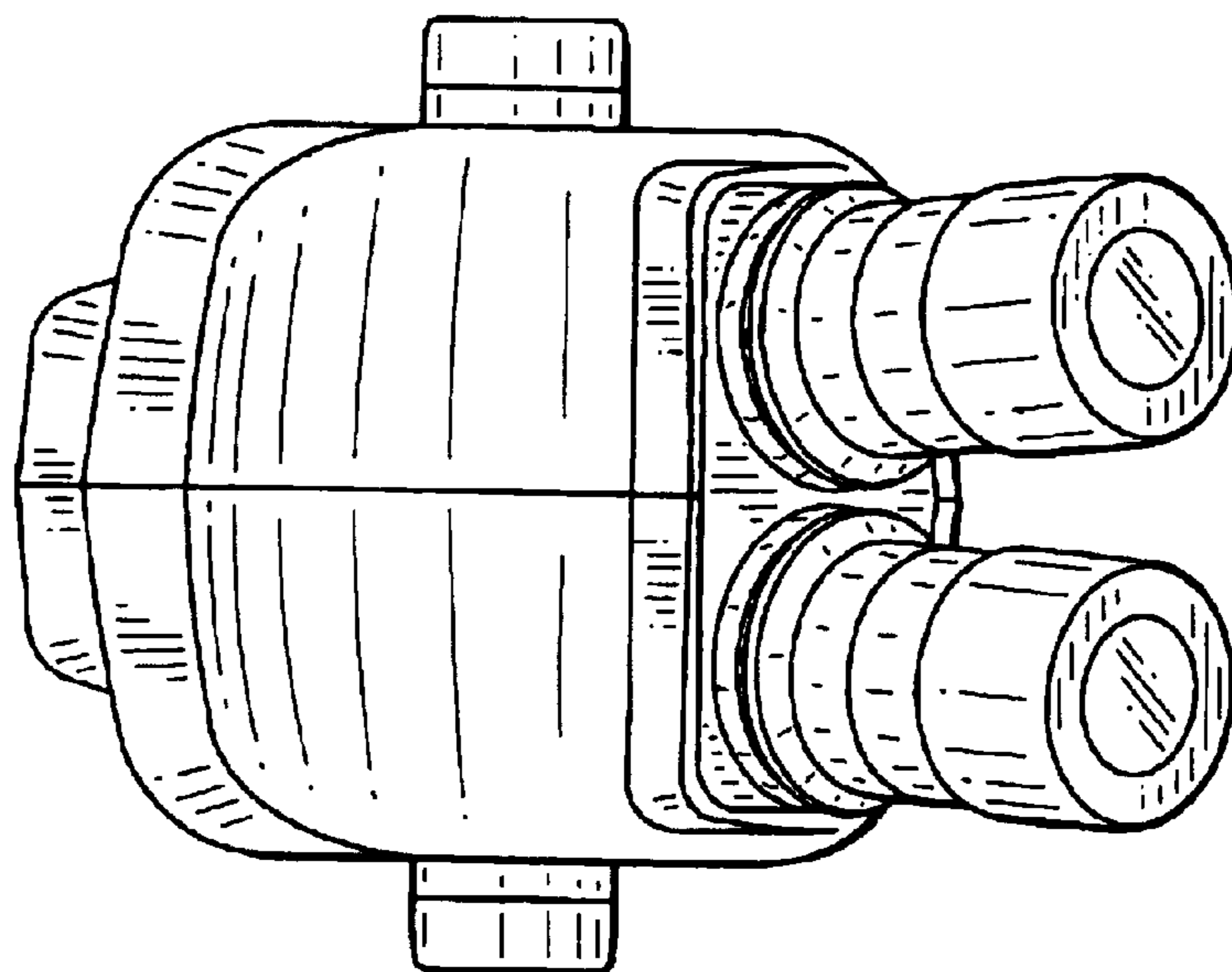


Fig. 7

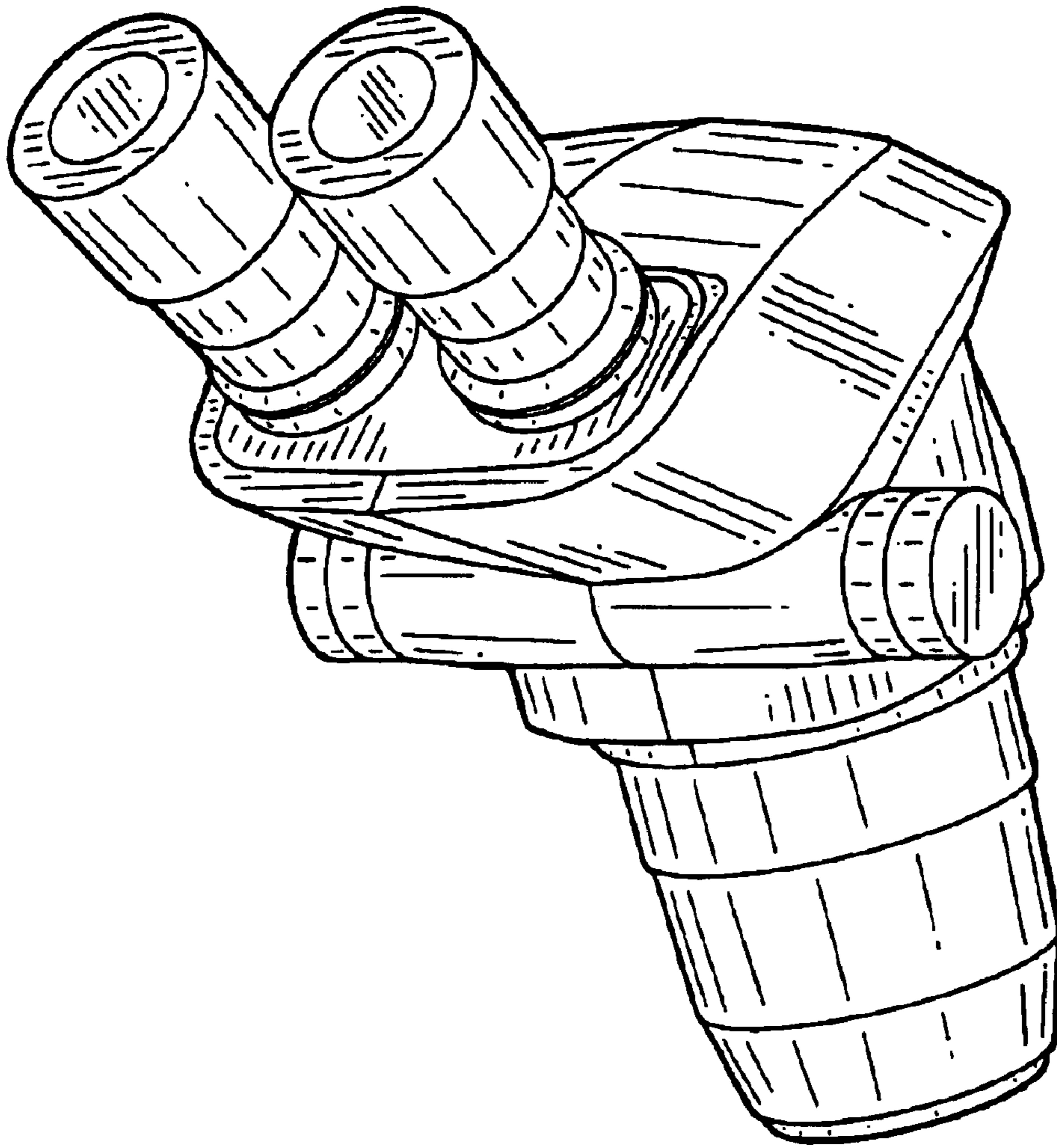


Fig. 8

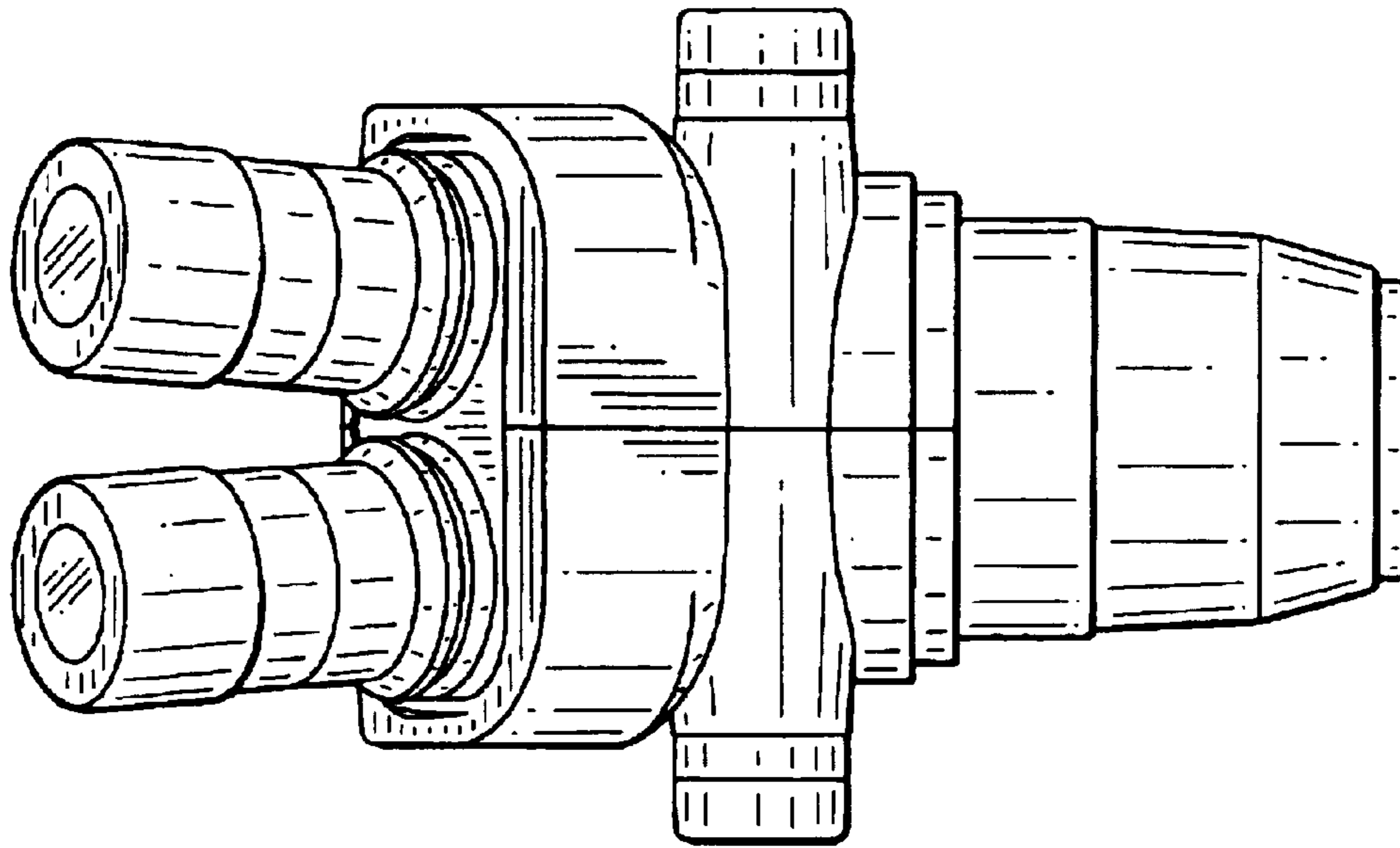


Fig. 9

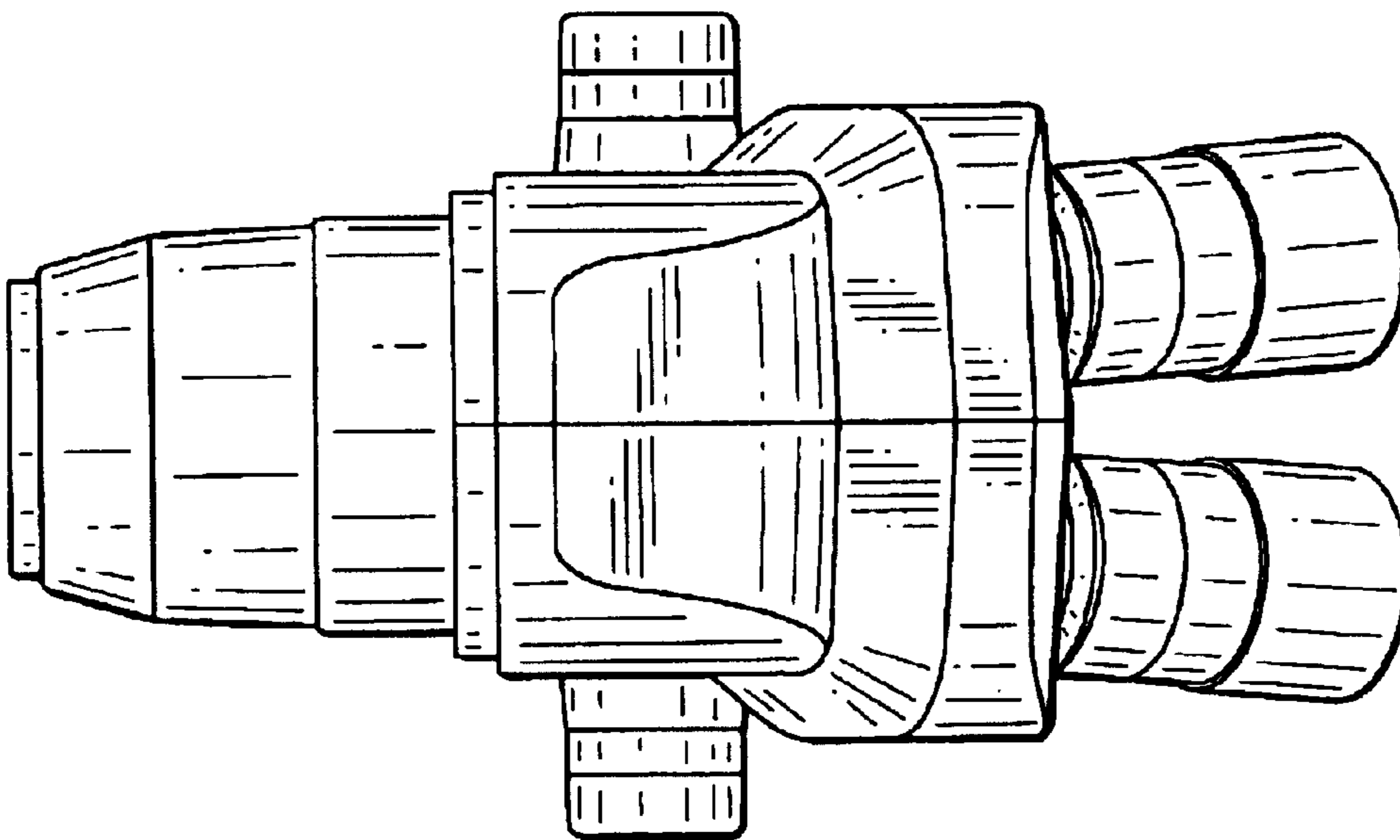


Fig. 10

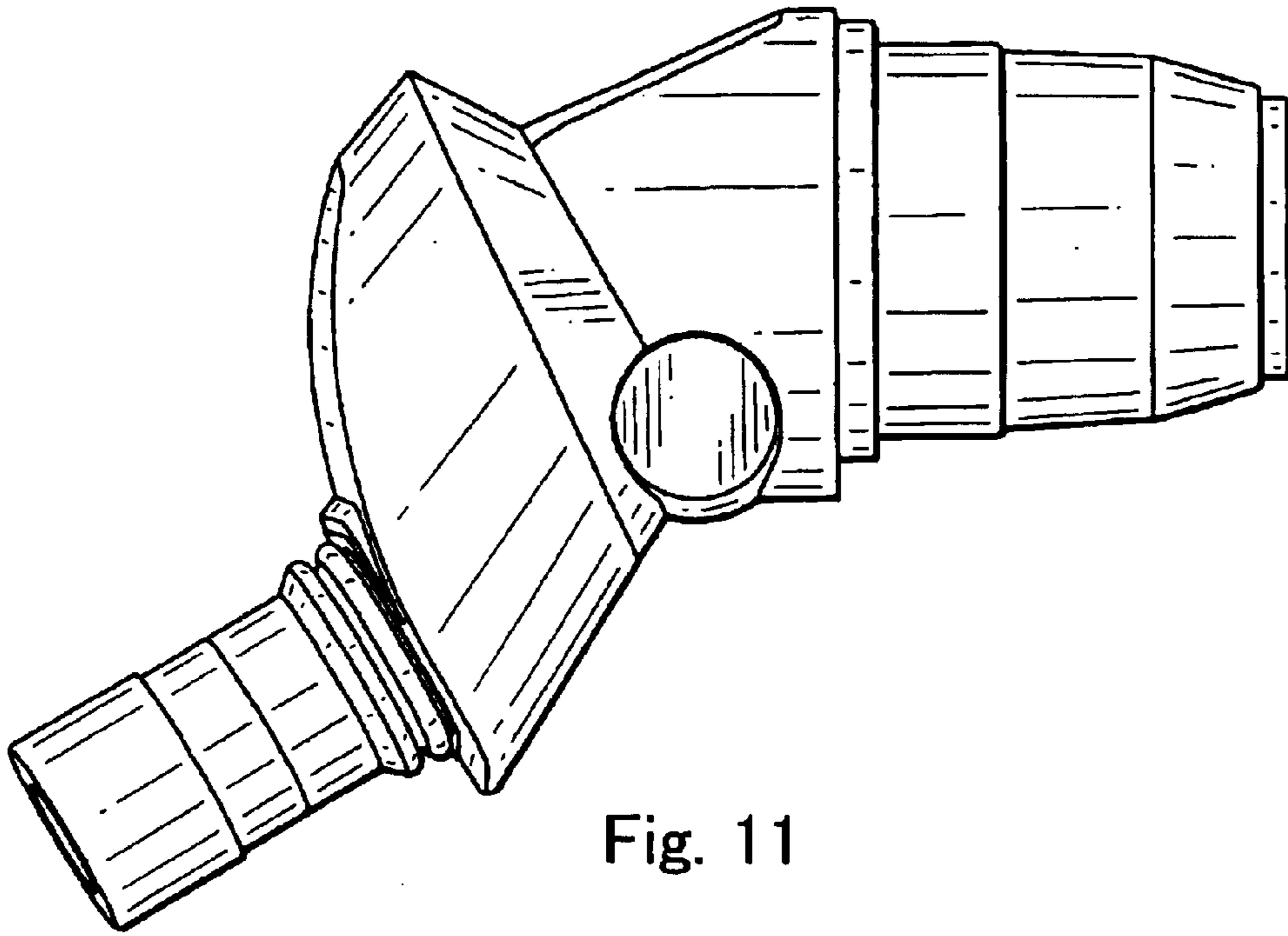


Fig. 11

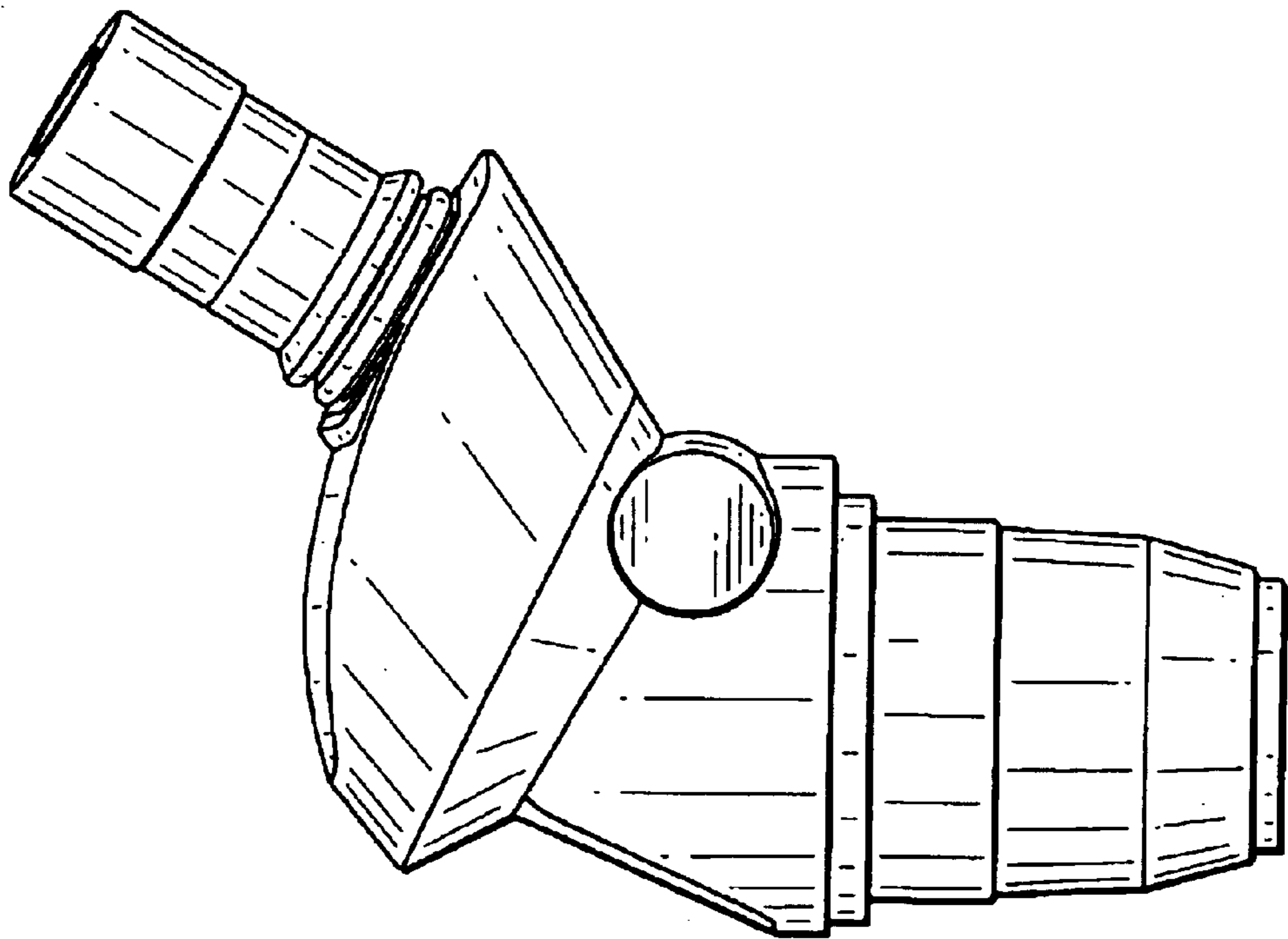


Fig. 12

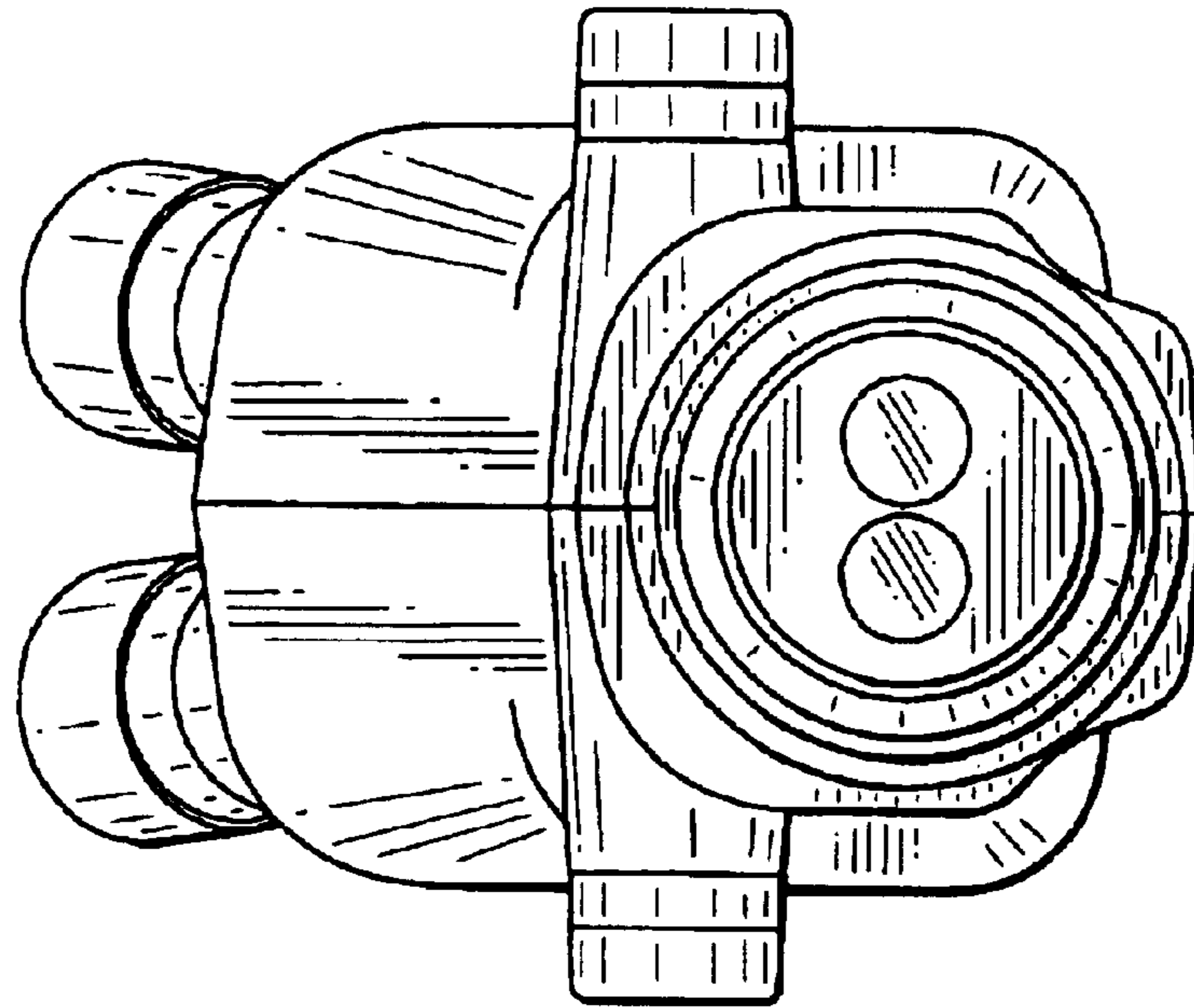


Fig. 13

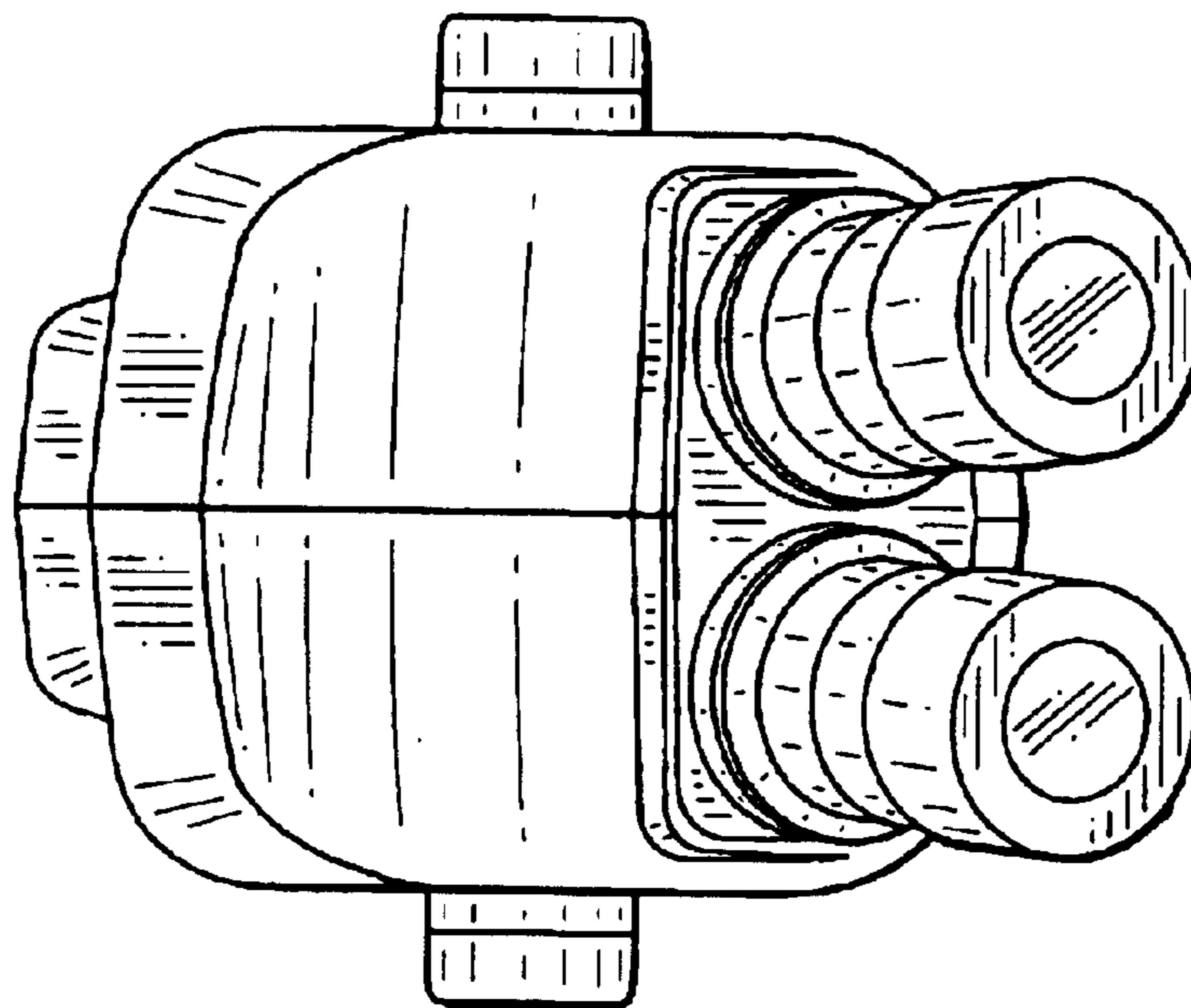


Fig. 14