



US00D520540S

(12) **United States Design Patent**
Siu

(10) **Patent No.:** **US D520,540 S**

(45) **Date of Patent:** **** May 9, 2006**

(54) **WATCH WINDING MACHINE**

(75) Inventor: **Tze Sing Siu**, Kowloon (CN)

(73) Assignee: **Everwell Instruments Limited**,
Kowloon (CN)

(**) Term: **14 Years**

(21) Appl. No.: **29/209,381**

(22) Filed: **Jul. 14, 2004**

(51) **LOC (8) Cl.** **15-99**

(52) **U.S. Cl.** **D15/199**

(58) **Field of Classification Search** D15/199;
81/7.5; 366/614; 368/206-209

See application file for complete search history.

(56) **References Cited**

U.S. PATENT DOCUMENTS

2,863,345	A	*	12/1958	Fiechter	81/7.5
3,620,007	A	*	11/1971	Kauffman	368/206
D452,256	S	*	12/2001	Wolf	D15/199

* cited by examiner

Primary Examiner—Antoine D. Davis

(74) *Attorney, Agent, or Firm*—Alix, Yale & Ristas, LLP

(57) **CLAIM**

The ornamental design for a watch winding machine, as shown and described.

DESCRIPTION

FIG. 1 is a front perspective view of the watch winding machine showing my new design;

FIG. 2 is a front view of the watch winding machine of FIG. 1;

FIG. 3 is a top plan view of the watch winding machine of FIG. 1;

FIG. 4 is a left side view of the watch winding machine of FIG. 1;

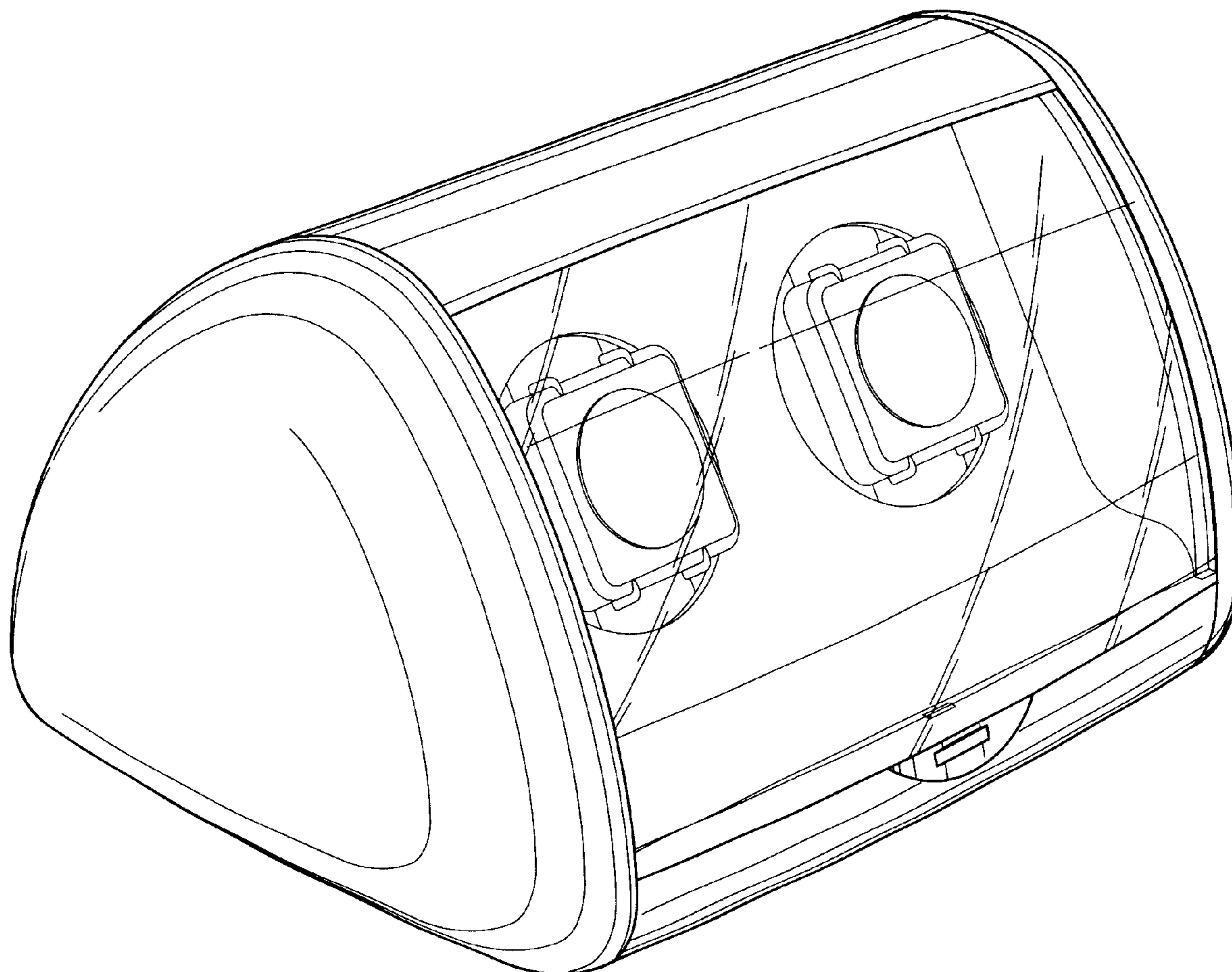
FIG. 5 is a right side view of the watch winding machine of FIG. 1;

FIG. 6 is a rear view of the watch winding machine of FIG. 1;

FIG. 7 is a bottom plan view of the watch winding machine of FIG. 1; and,

FIG. 8 is a front perspective view of the watch winding machine of FIG. 1, viewed in an open position.

1 Claim, 5 Drawing Sheets



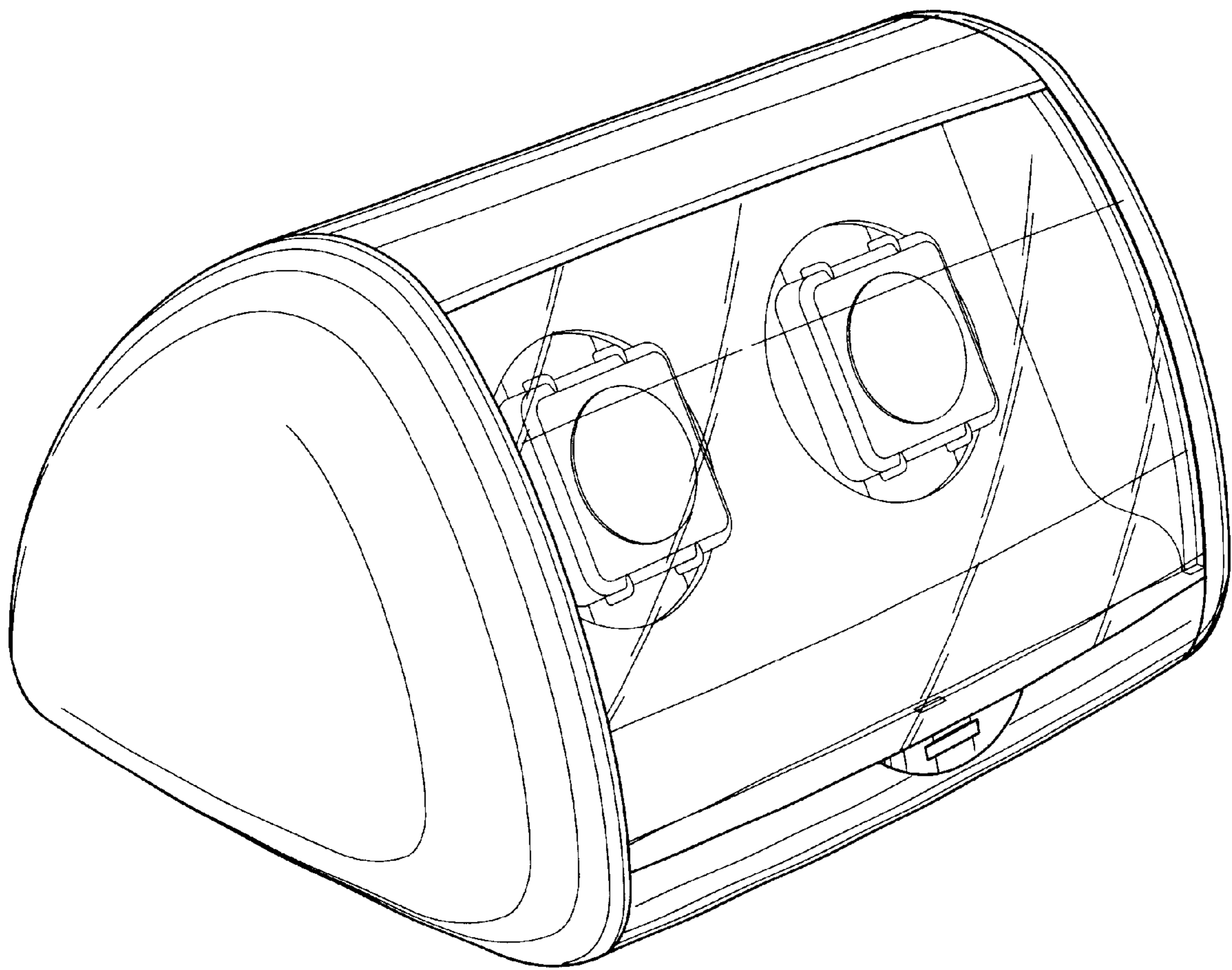


FIG. 1

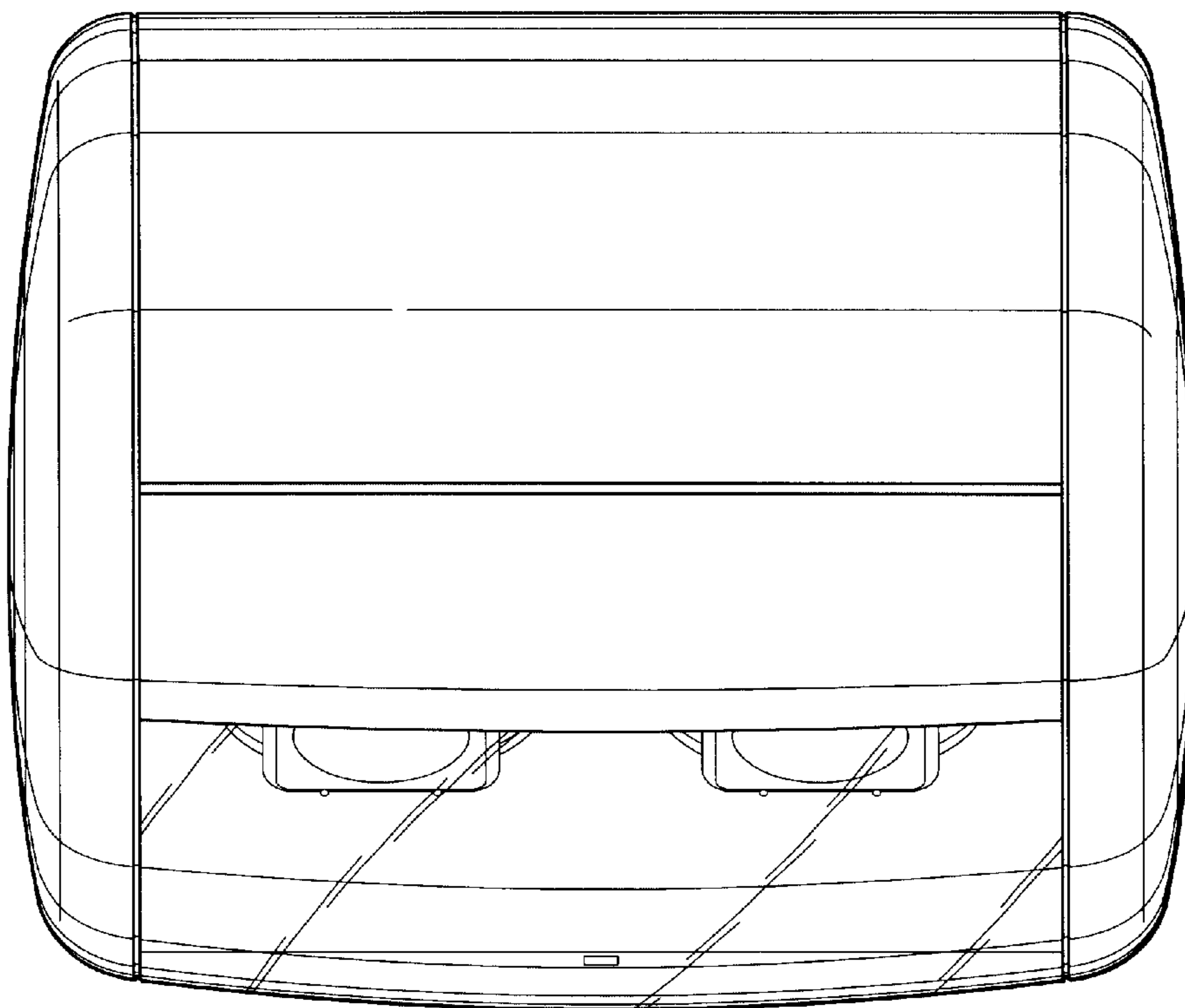


FIG. 3

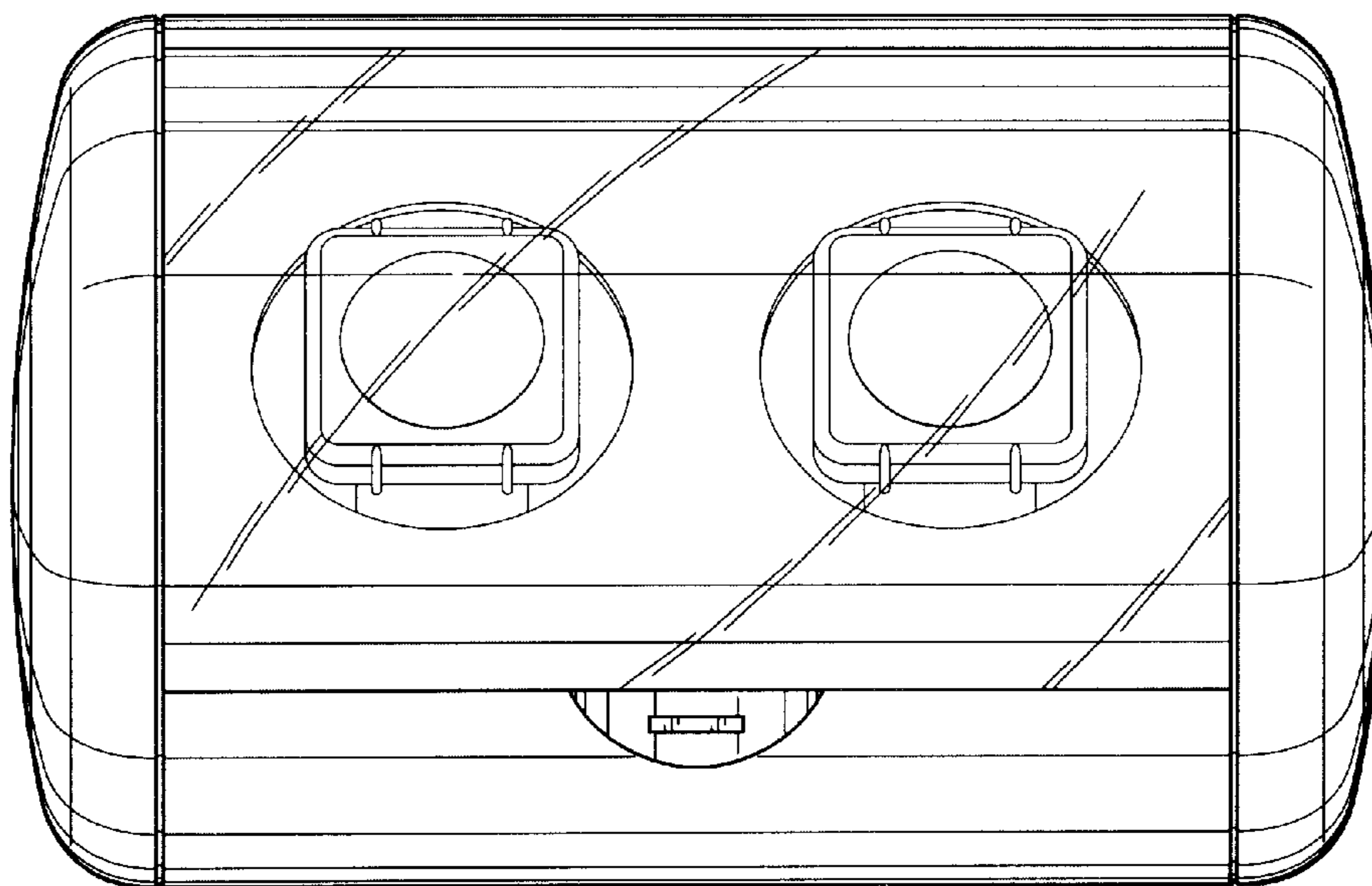


FIG. 2

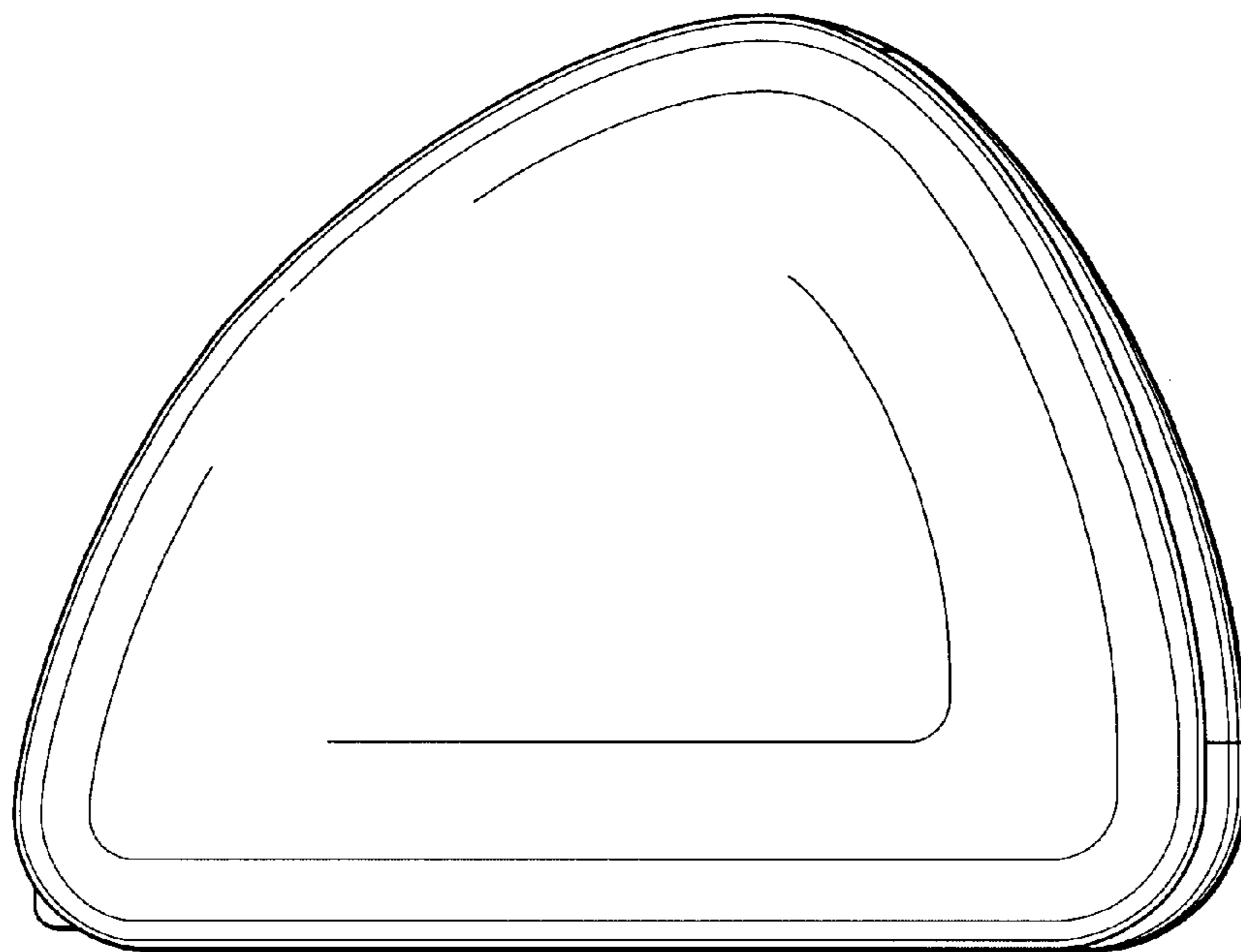


FIG. 4

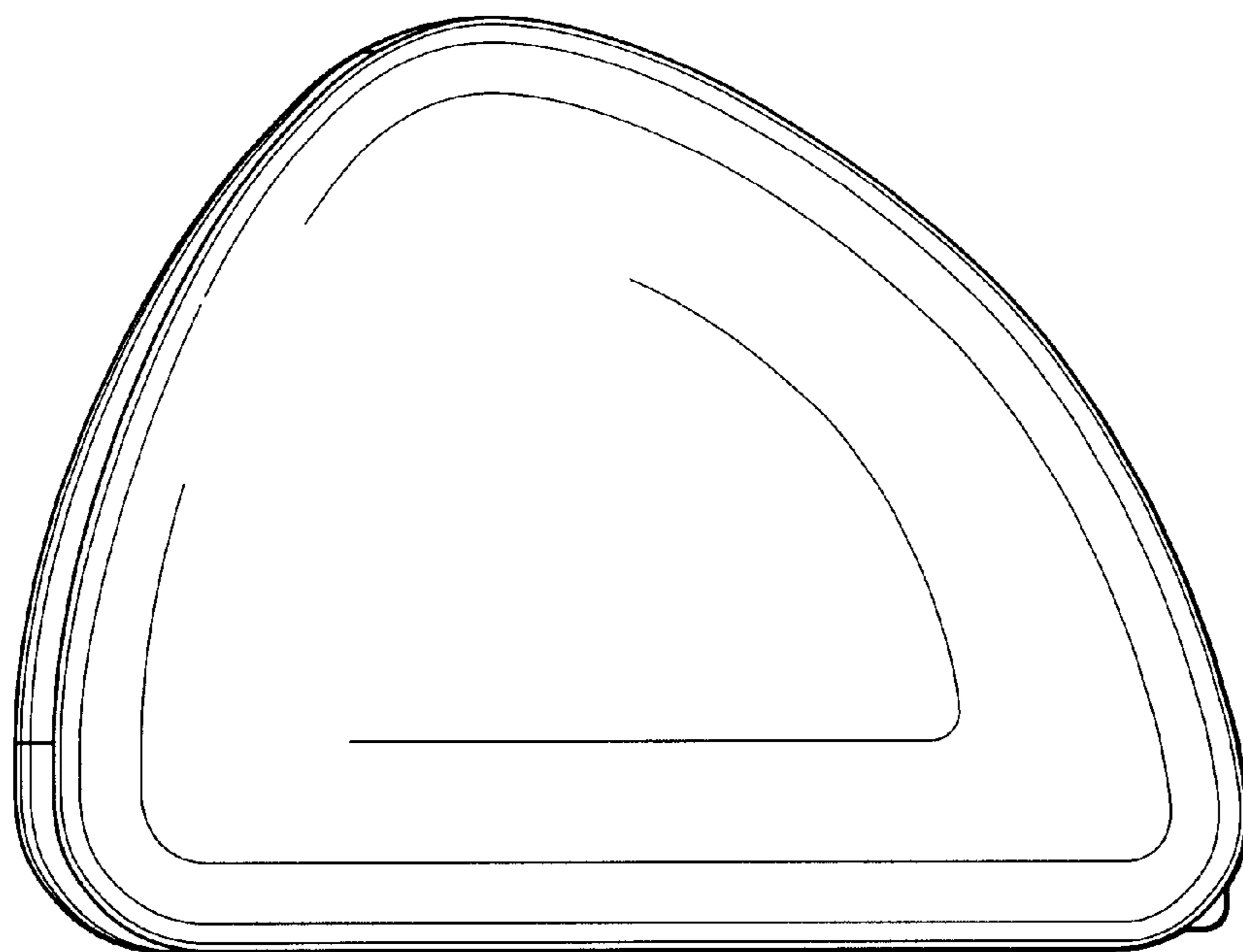


FIG. 5

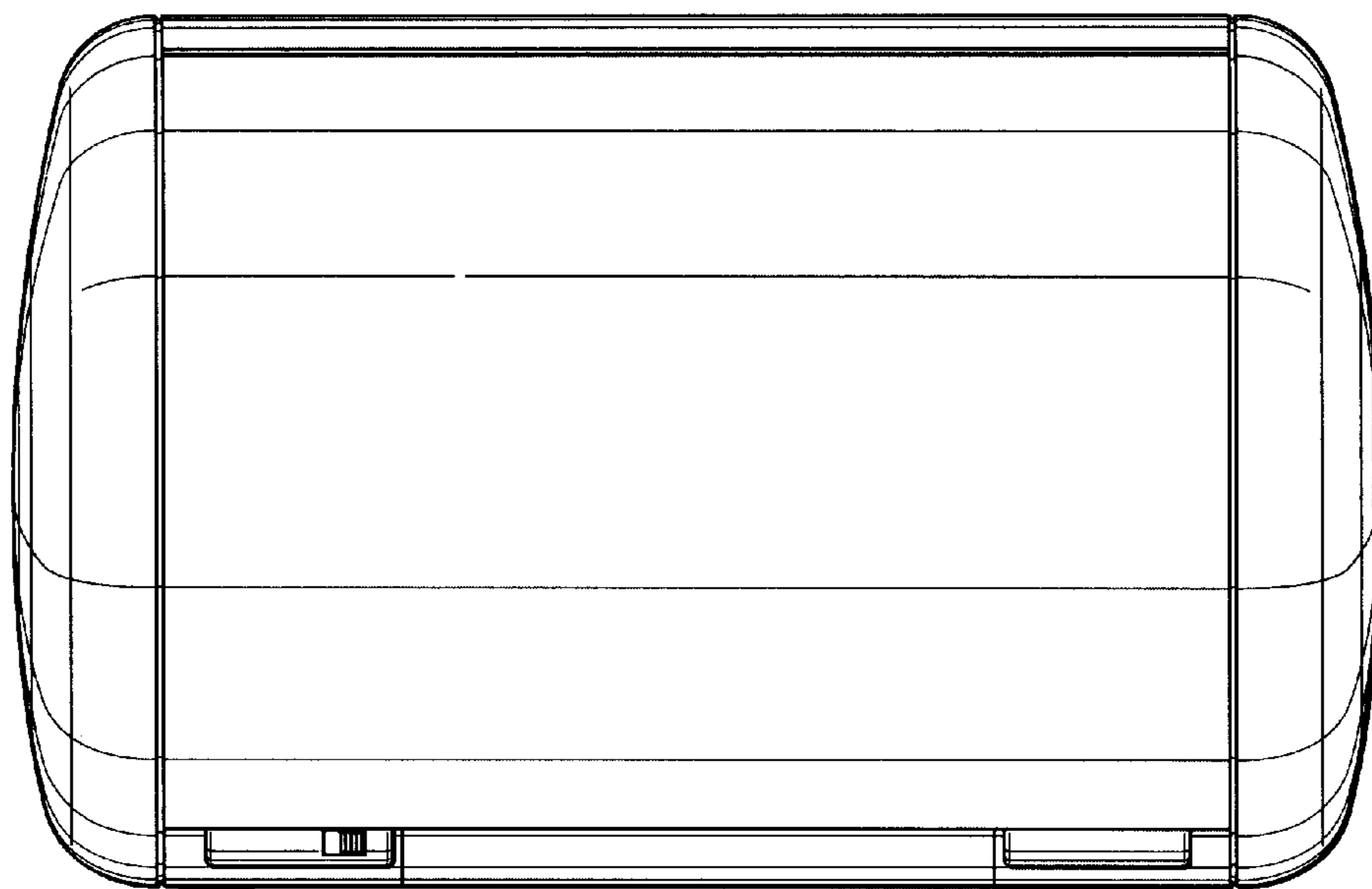


FIG. 6

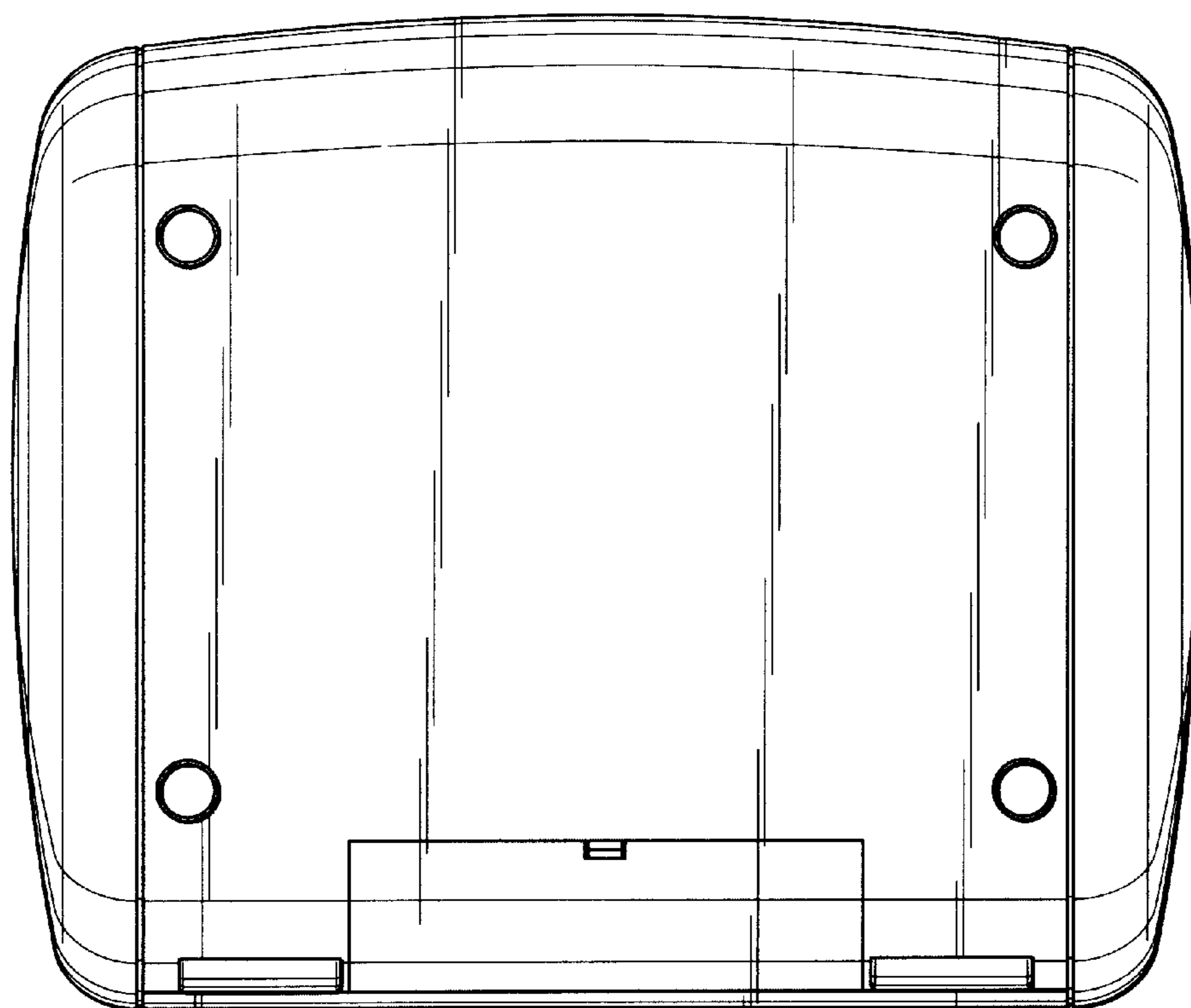


FIG. 7

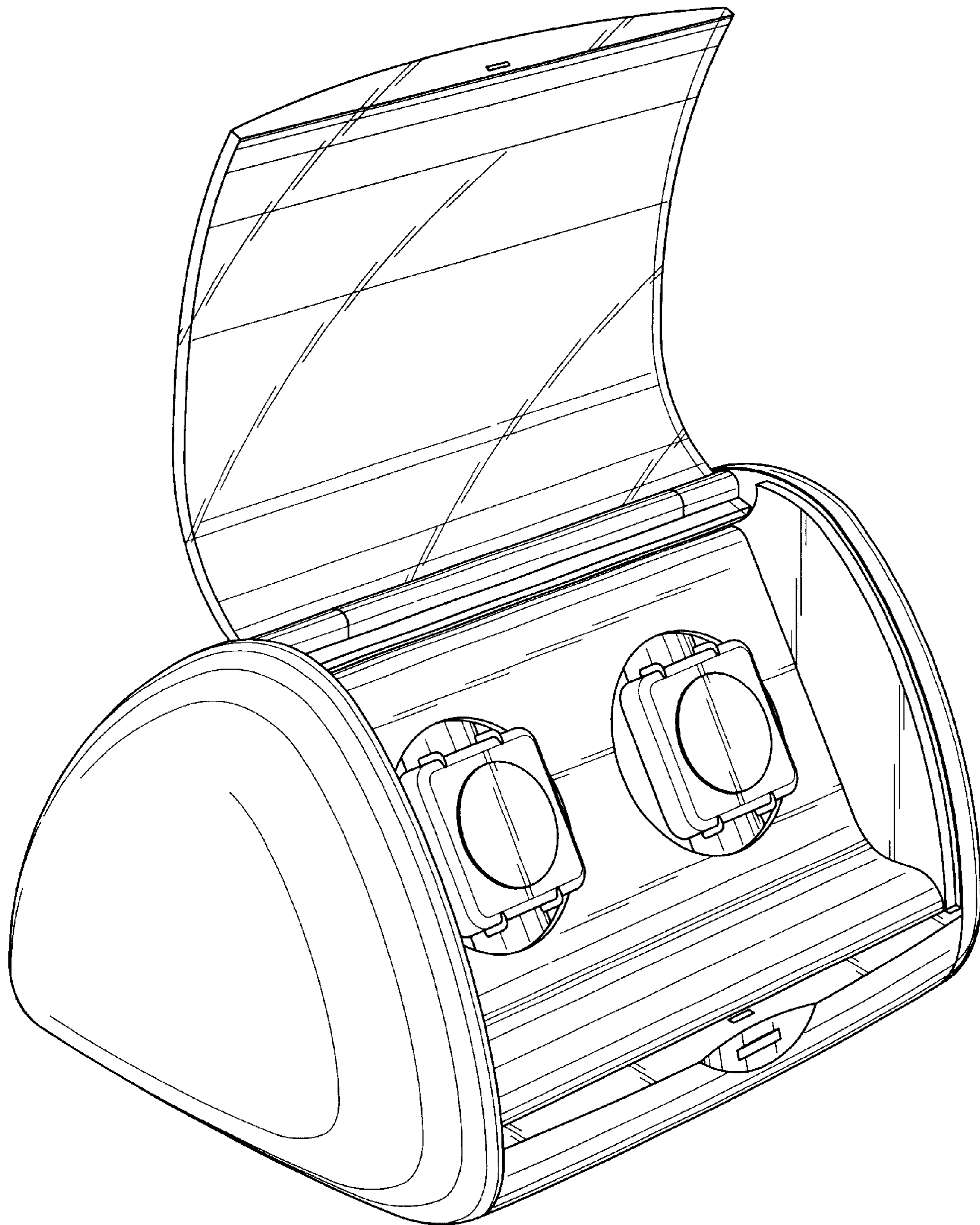


FIG. 8