



US00D520538S

(12) **United States Design Patent**
de Leeuw et al.

(10) **Patent No.:** **US D520,538 S**

(45) **Date of Patent:** **** May 9, 2006**

(54) **NOZZLE**

D466,140 S * 11/2002 Huey D15/144.2
D474,214 S * 5/2003 Huey et al. D15/144.2

(75) Inventors: **Victor de Leeuw**, Hilvarenbeek (NL);
Wendelinus Cornelis van der Heijden,
Drunen (NL)

* cited by examiner

(73) Assignee: **Nordson Corporation**, Westlake, OH
(US)

Primary Examiner—Antoine D. Davis
Assistant Examiner—Patricia Palasik
(74) *Attorney, Agent, or Firm*—Wood, Herron & Evans,
L.L.P.

(**) **Term:** **14 Years**

(57) **CLAIM**

(21) Appl. No.: **29/214,957**

The ornamental design for a nozzle, as shown and described.

(22) Filed: **Oct. 12, 2004**

DESCRIPTION

(30) **Foreign Application Priority Data**

Apr. 14, 2004 (EP) 1658321

(51) **LOC (8) Cl.** **15-09**

(52) **U.S. Cl.** **D15/144**

(58) **Field of Classification Search** D15/144-144.2;
239/1, 11, 71, 539, 536, 290, 423; 425/7,
425/208.2

FIG. 1 is a first perspective view of the nozzle.
FIG. 2 is a second perspective view thereof.
FIG. 3 is a top plan view thereof.
FIG. 4 is a front elevational view of the nozzle as depicted
in FIG. 3.
FIG. 5 is a right side view of the nozzle as depicted in FIG.
3.
FIG. 6 is a rear elevational view of the nozzle as depicted in
FIG. 3.
FIG. 7 is a left side view of the nozzle as depicted in FIG.
3; and,
FIG. 8 is a bottom plan view of the nozzle as depicted in
FIG. 3.

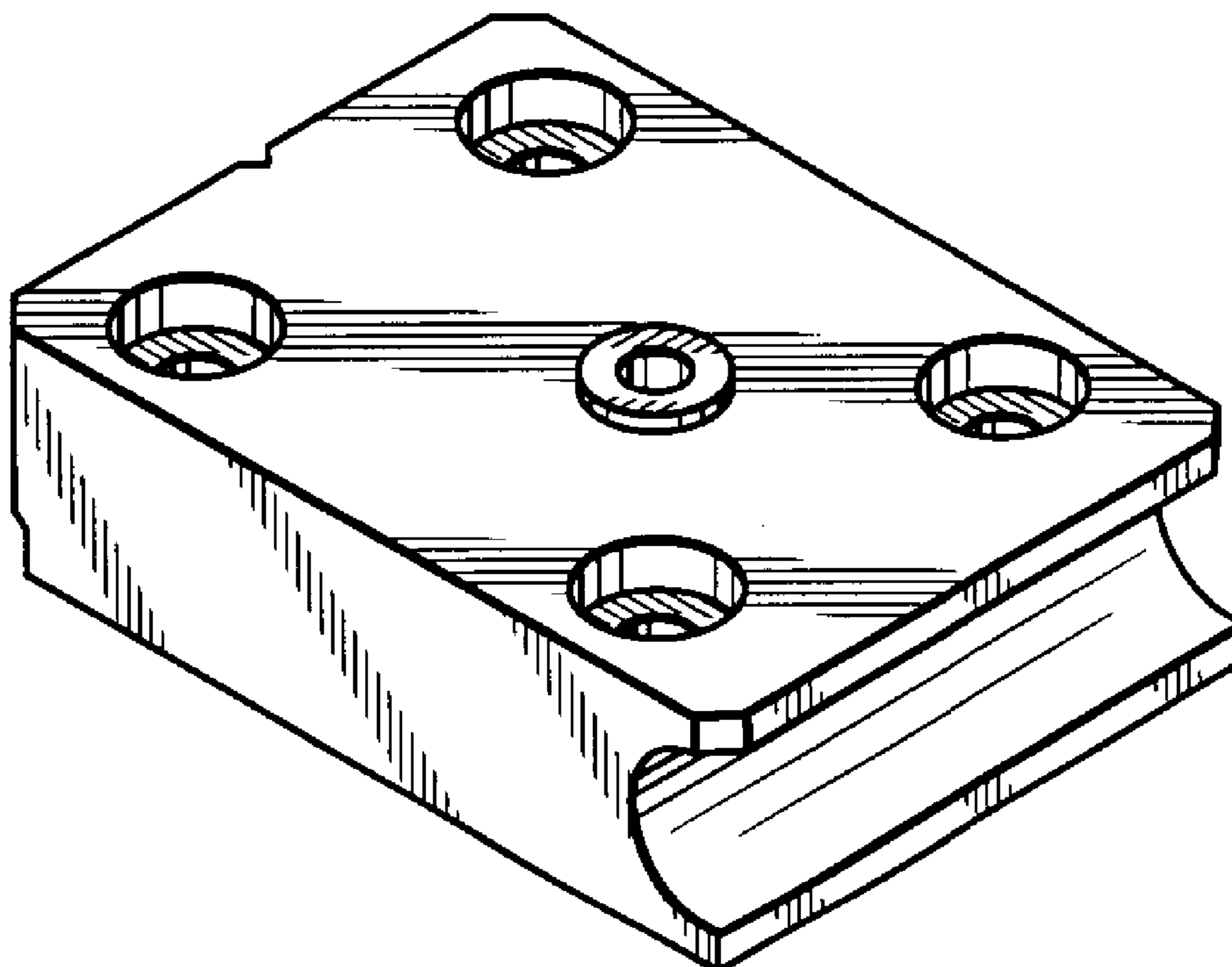
See application file for complete search history.

(56) **References Cited**

U.S. PATENT DOCUMENTS

D451,525 S * 12/2001 Ganzer D15/144
D457,538 S * 5/2002 Gressett et al. D15/144

1 Claim, 1 Drawing Sheet



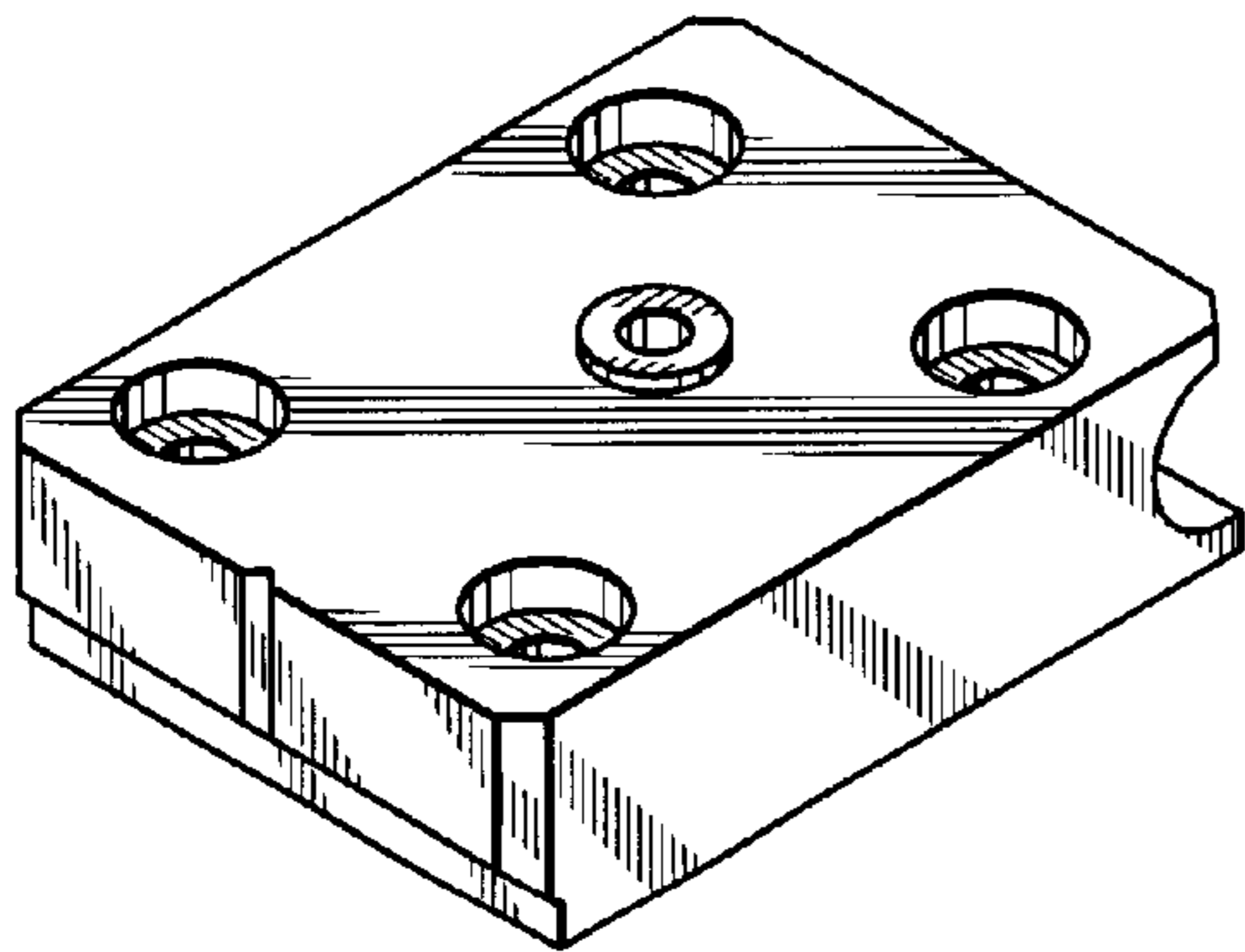


FIG. 1

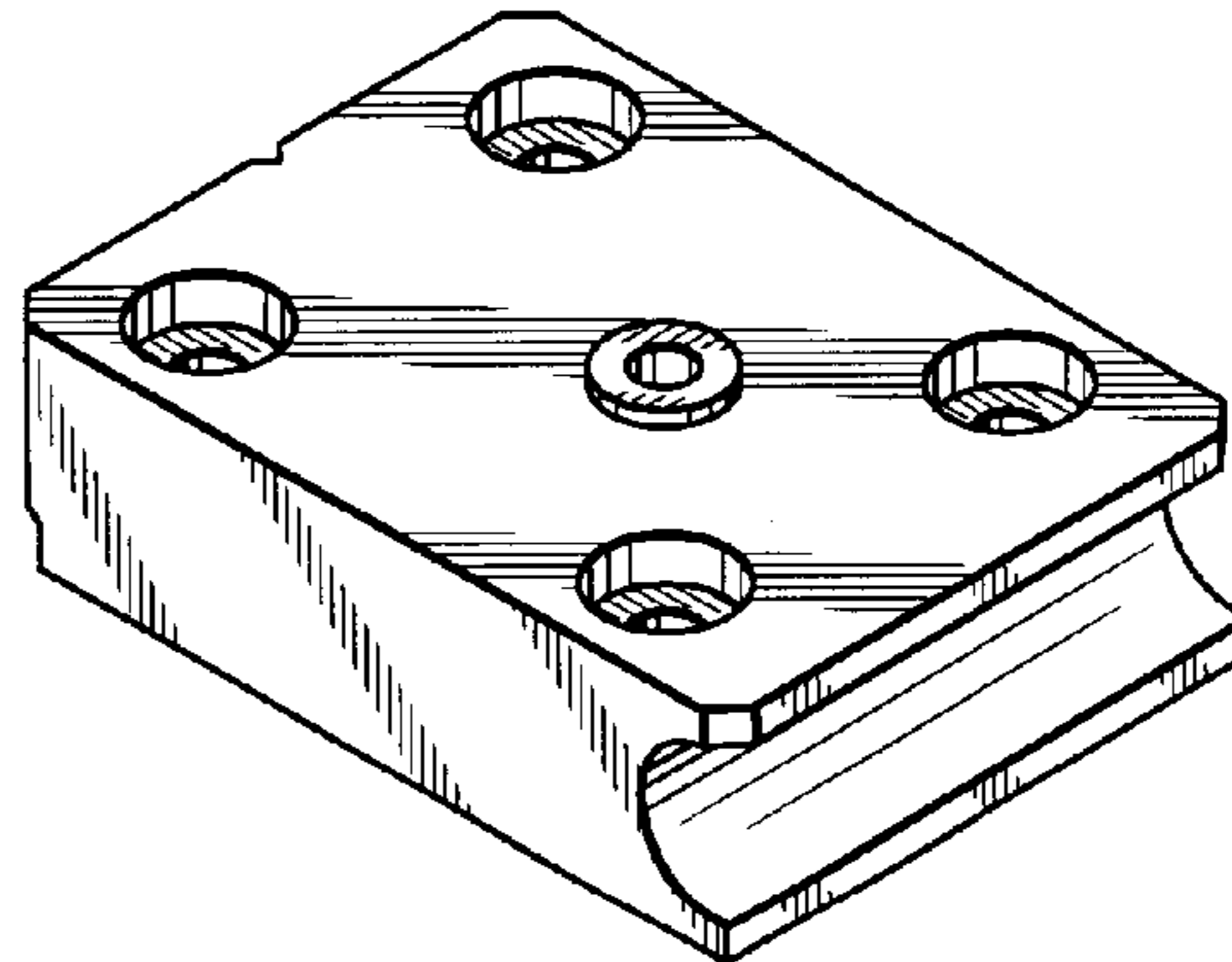


FIG. 2

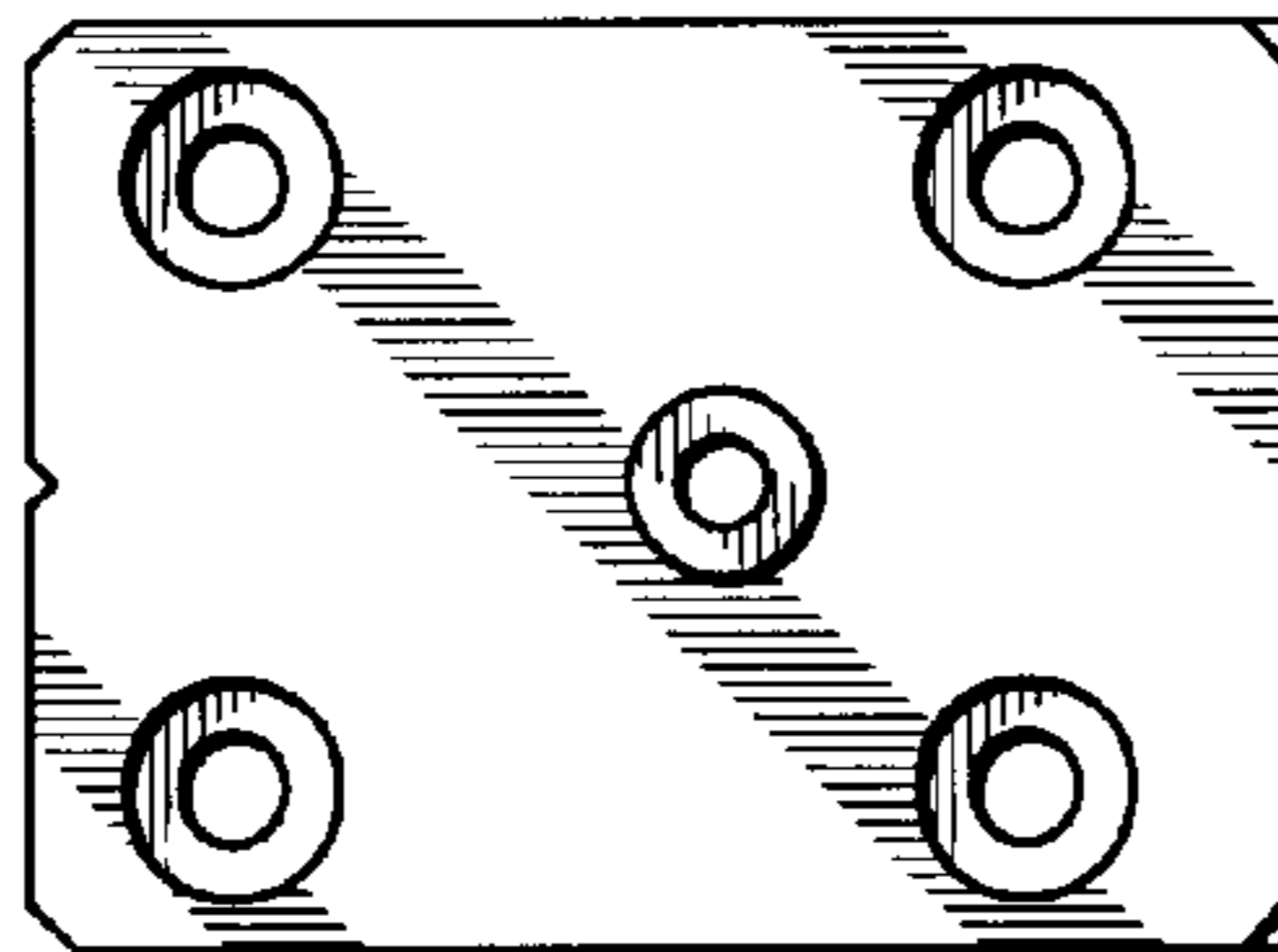


FIG. 3

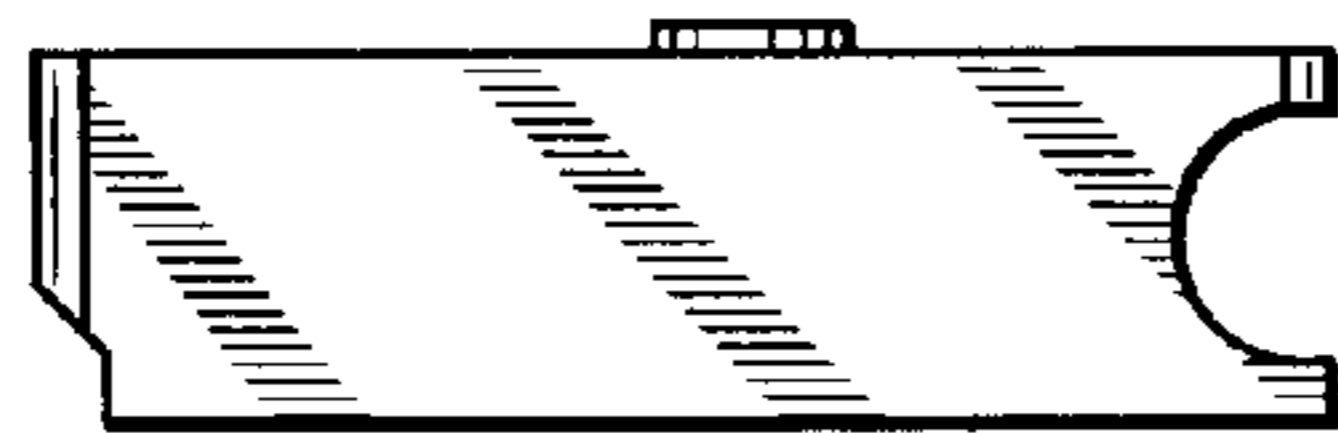


FIG. 4

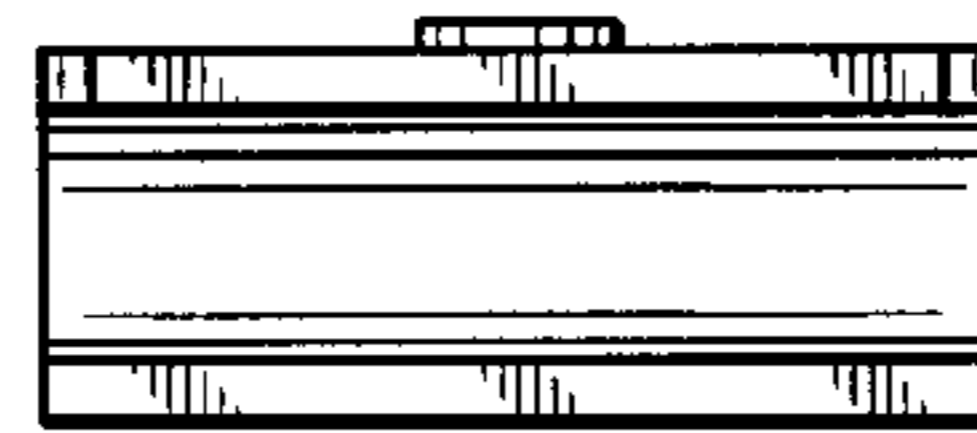


FIG. 5

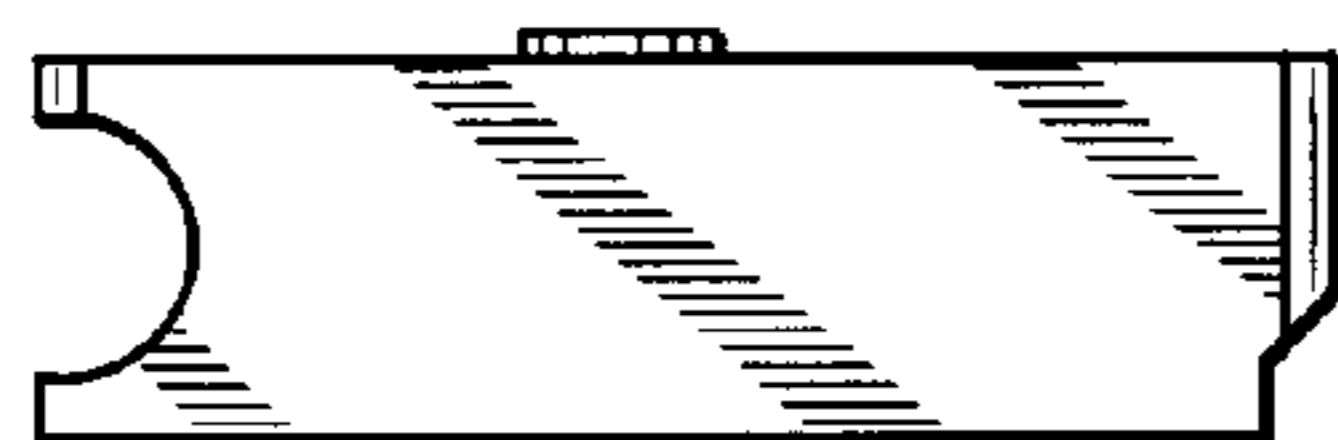


FIG. 6

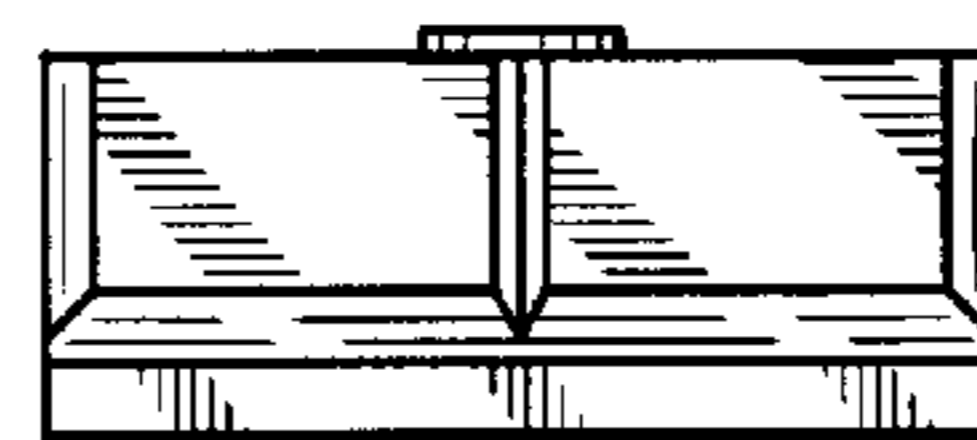


FIG. 7

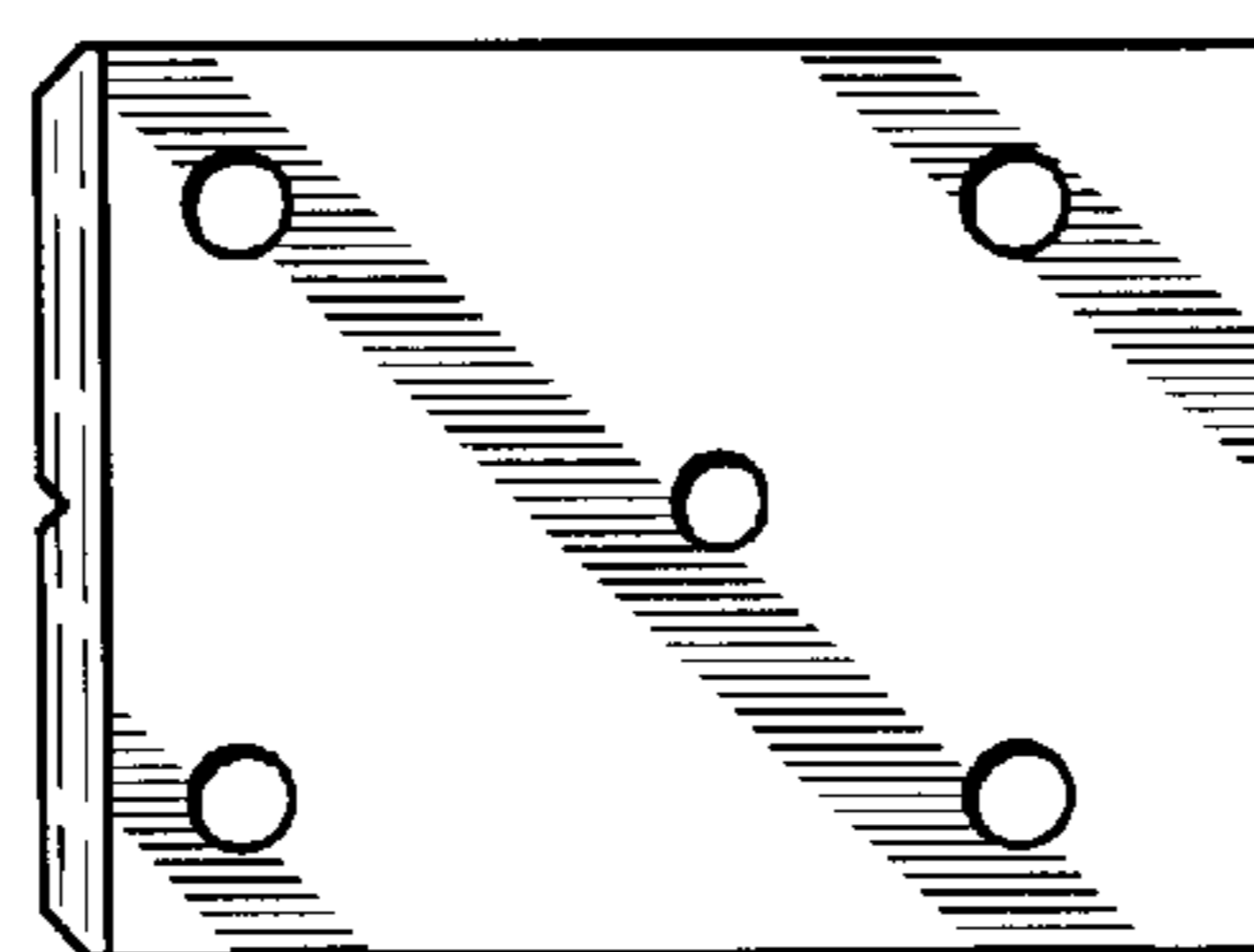


FIG. 8