

US00D520528S

(12) **United States Design Patent**
Kuroki et al.

(10) **Patent No.:** **US D520,528 S**

(45) **Date of Patent:** **** May 9, 2006**

(54) **SEWING MACHINE**

(75) Inventors: **Nobufusa Kuroki**, Tokyo (JP);
Megumi Nakajima, Tokyo (JP)

(73) Assignee: **Janome Sewing Machine Co., Ltd.**,
Tokyo (JP)

(**) Term: **14 Years**

(21) Appl. No.: **29/234,418**

(22) Filed: **Jul. 19, 2005**

(30) **Foreign Application Priority Data**

Jan. 21, 2005 (JP) 2005-001405

(51) **LOC (8) Cl.** **15-06**

(52) **U.S. Cl.** **D15/69**

(58) **Field of Classification Search** D15/66-78;
D21/527; 112/2, 154, 163, 271, 217.1-217.4,
112/258-262, 400, 470.1, 470.4, 444; 312/208.5,
312/208.6

See application file for complete search history.

(56) **References Cited**

U.S. PATENT DOCUMENTS

- D382,280 S * 8/1997 Kato et al. D15/69
- D383,764 S * 9/1997 Ueyama D15/70
- D403,333 S * 12/1998 Takada et al. D15/70
- D434,781 S * 12/2000 Kawaguchi D15/69

- D450,722 S * 11/2001 Kawaguchi D15/69
- D450,723 S * 11/2001 Iwai et al. D15/70
- D474,208 S * 5/2003 Kawaguchi D15/69
- D481,739 S * 11/2003 Iwai D15/69
- D508,500 S * 8/2005 Kawaguchi D15/70

* cited by examiner

Primary Examiner—Mitchell Siegel

Assistant Examiner—Shanda C. Hill

(74) *Attorney, Agent, or Firm*—McGinn IP Law Group,
PLLC

(57) **CLAIM**

The ornamental design for a sewing machine, as shown and described.

DESCRIPTION

FIG. 1 is a front view of a sewing machine showing our design;

FIG. 2 is a rear elevational view thereof;

FIG. 3 is a left side elevational view thereof;

FIG. 4 is a right side elevational view thereof;

FIG. 5 is a top plan view thereof;

FIG. 6 is a bottom plan view thereof;

FIG. 7 is a front perspective view thereof;

FIG. 8 is a rear perspective view thereof; and,

FIG. 9 is a front perspective view of the sewing machine, shown with the flat-bed attachment removed.

1 Claim, 9 Drawing Sheets

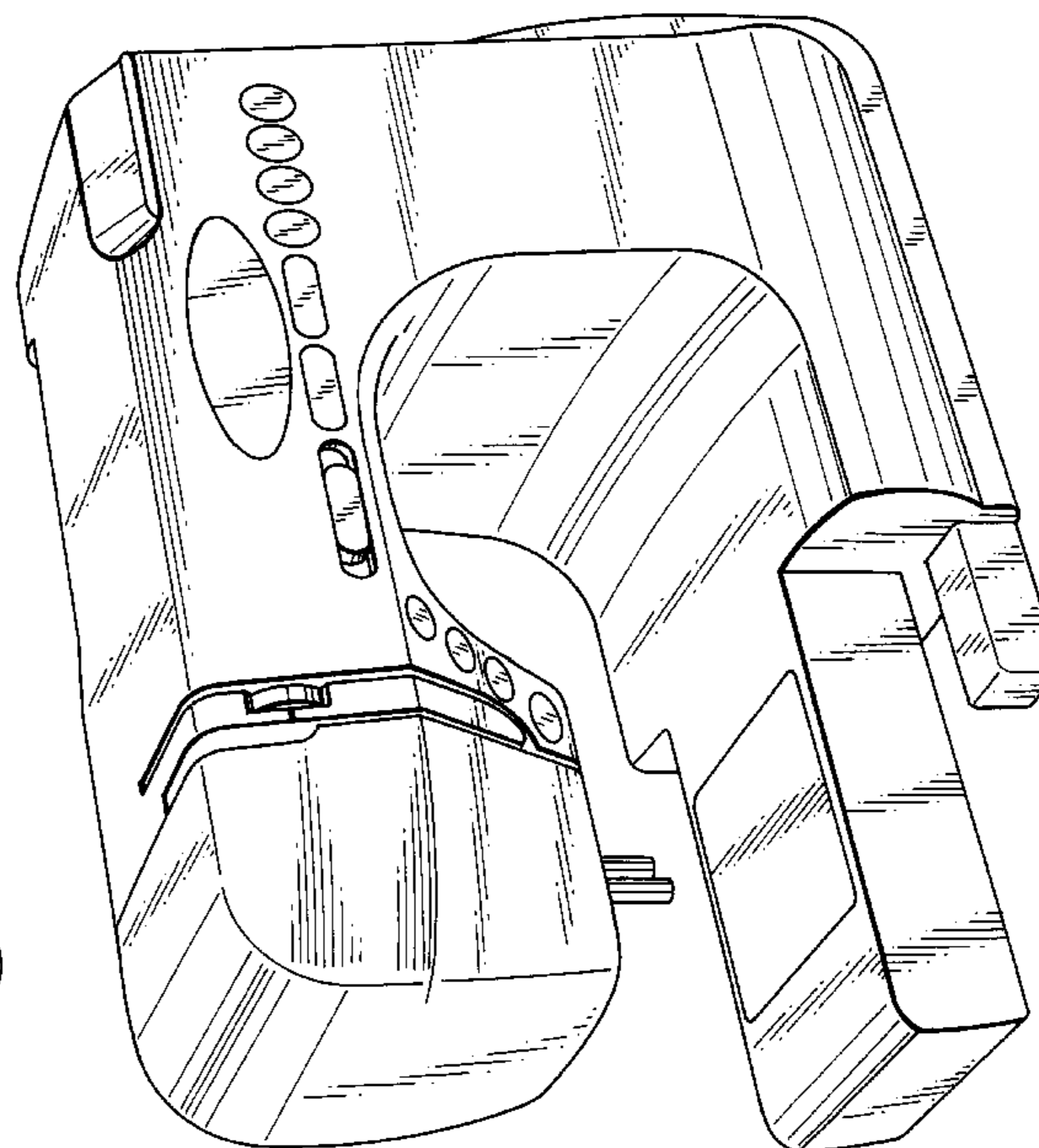
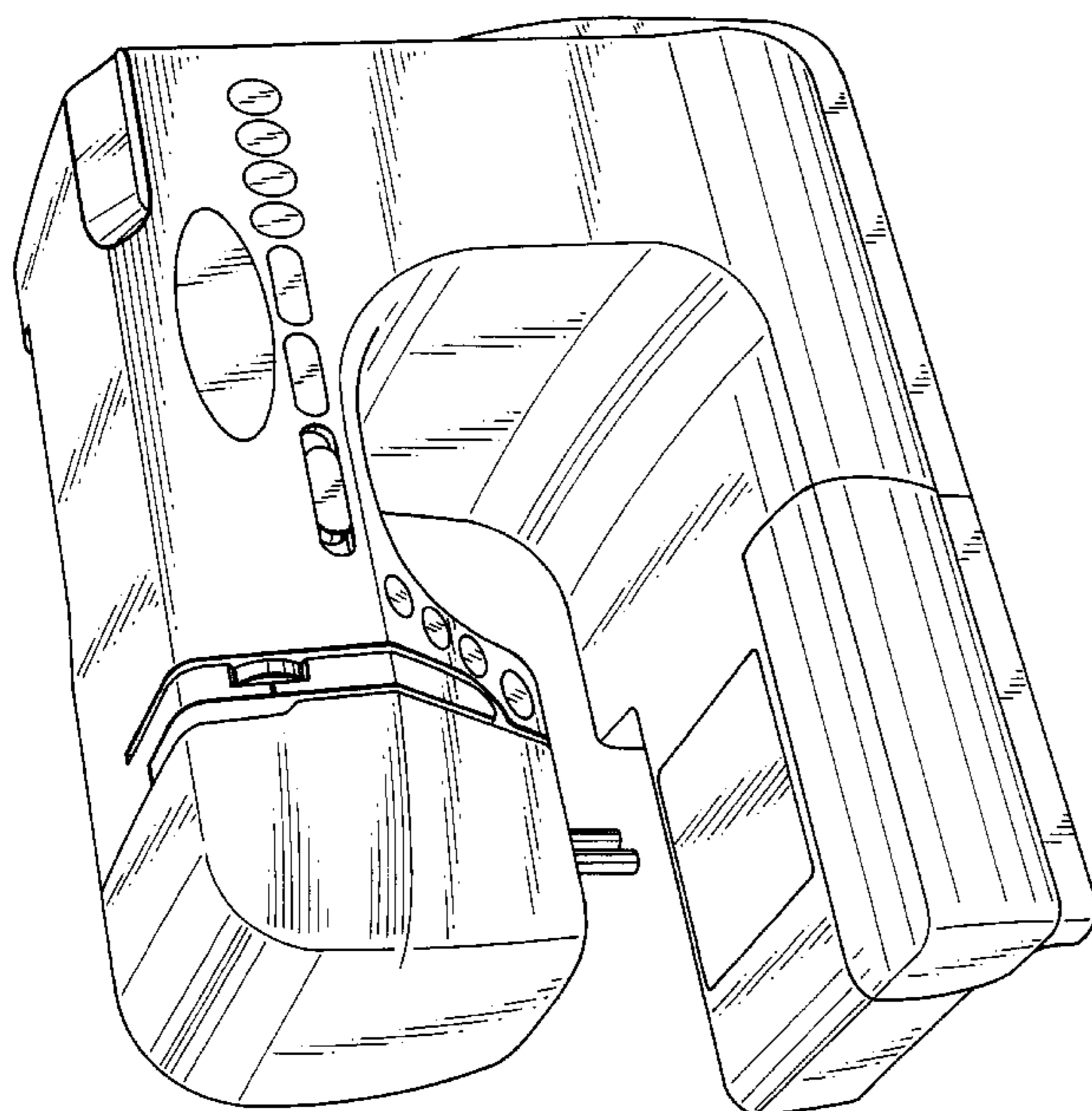


FIG. 1

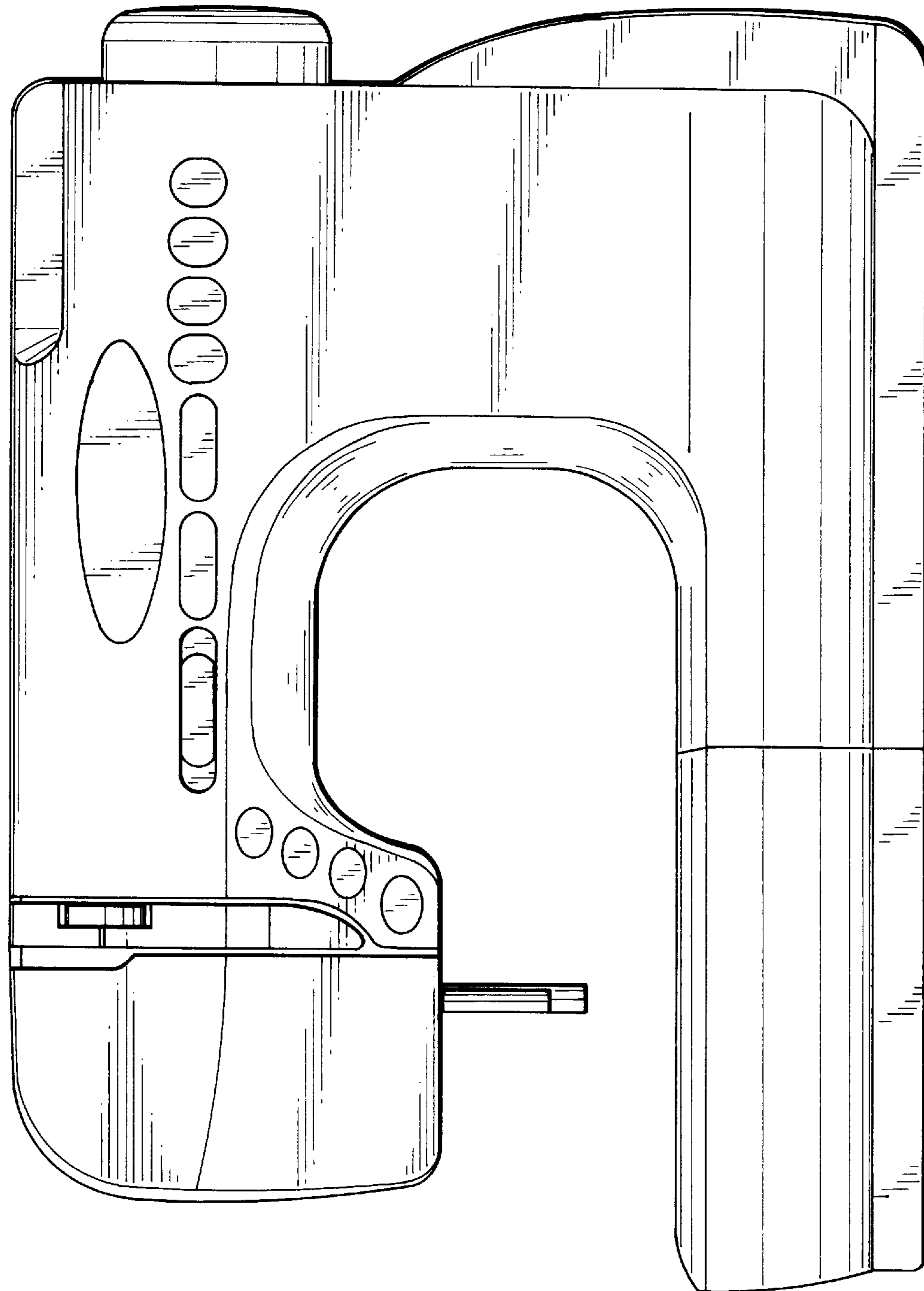


FIG. 2

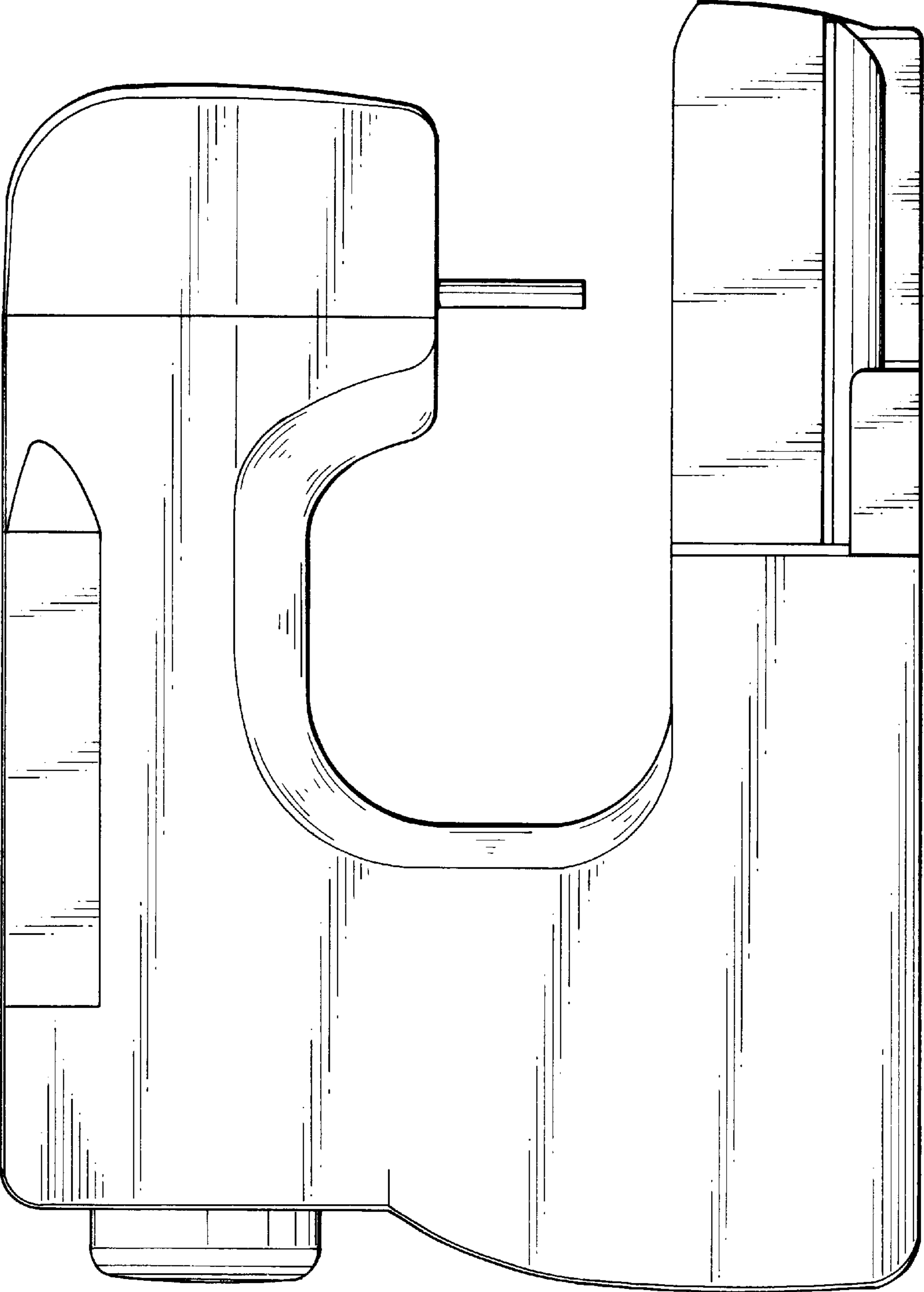


FIG. 3

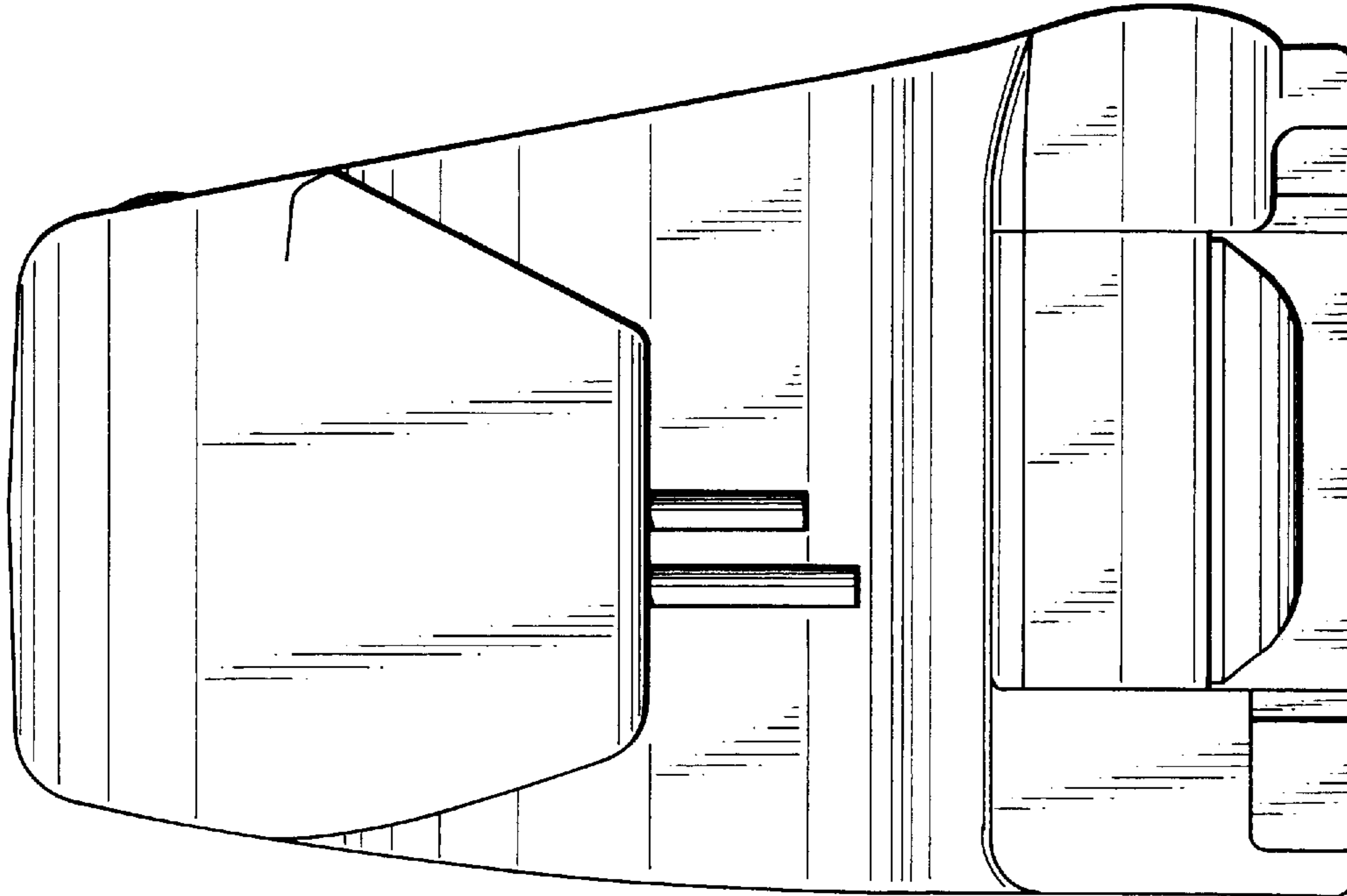


FIG. 4

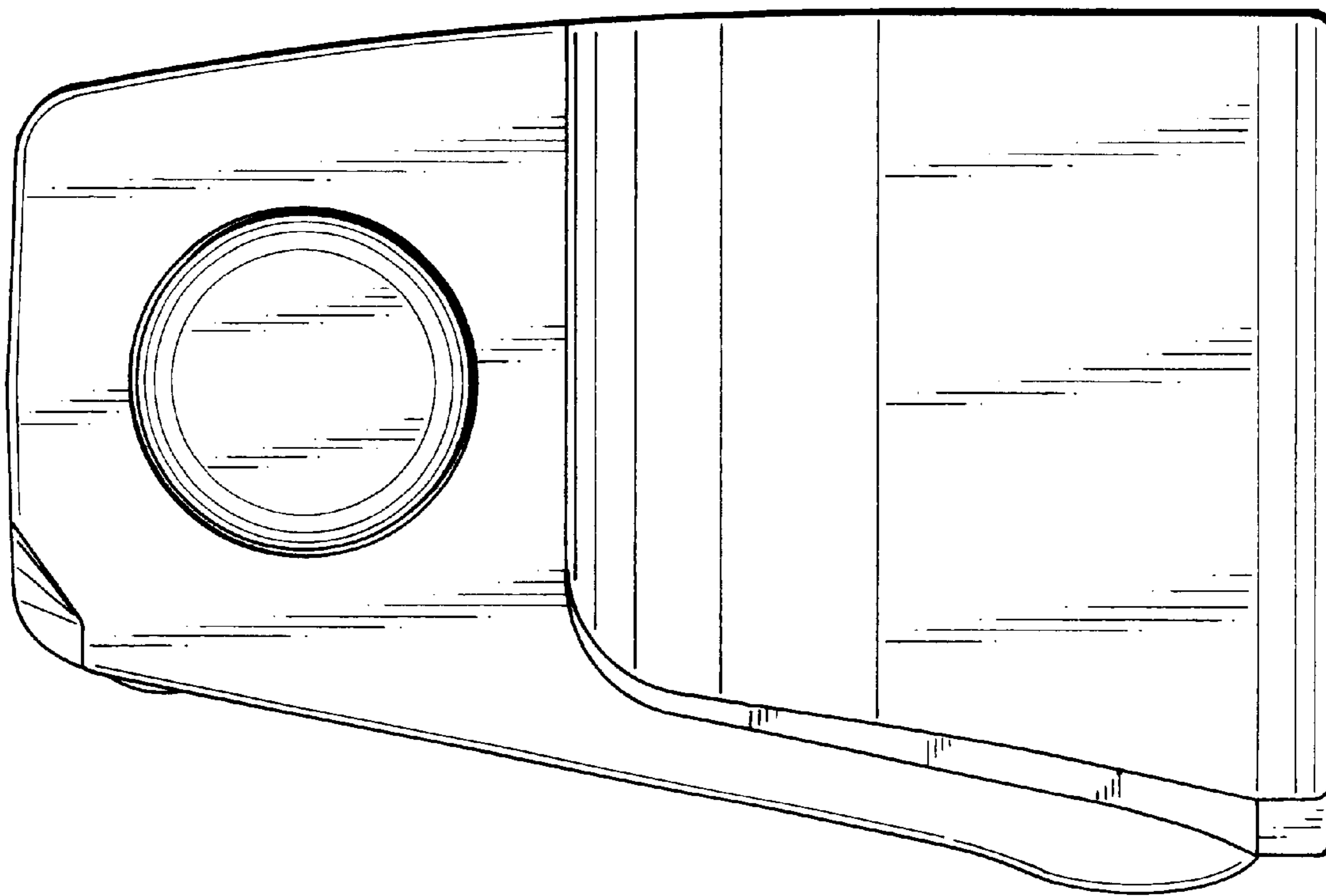


FIG. 5

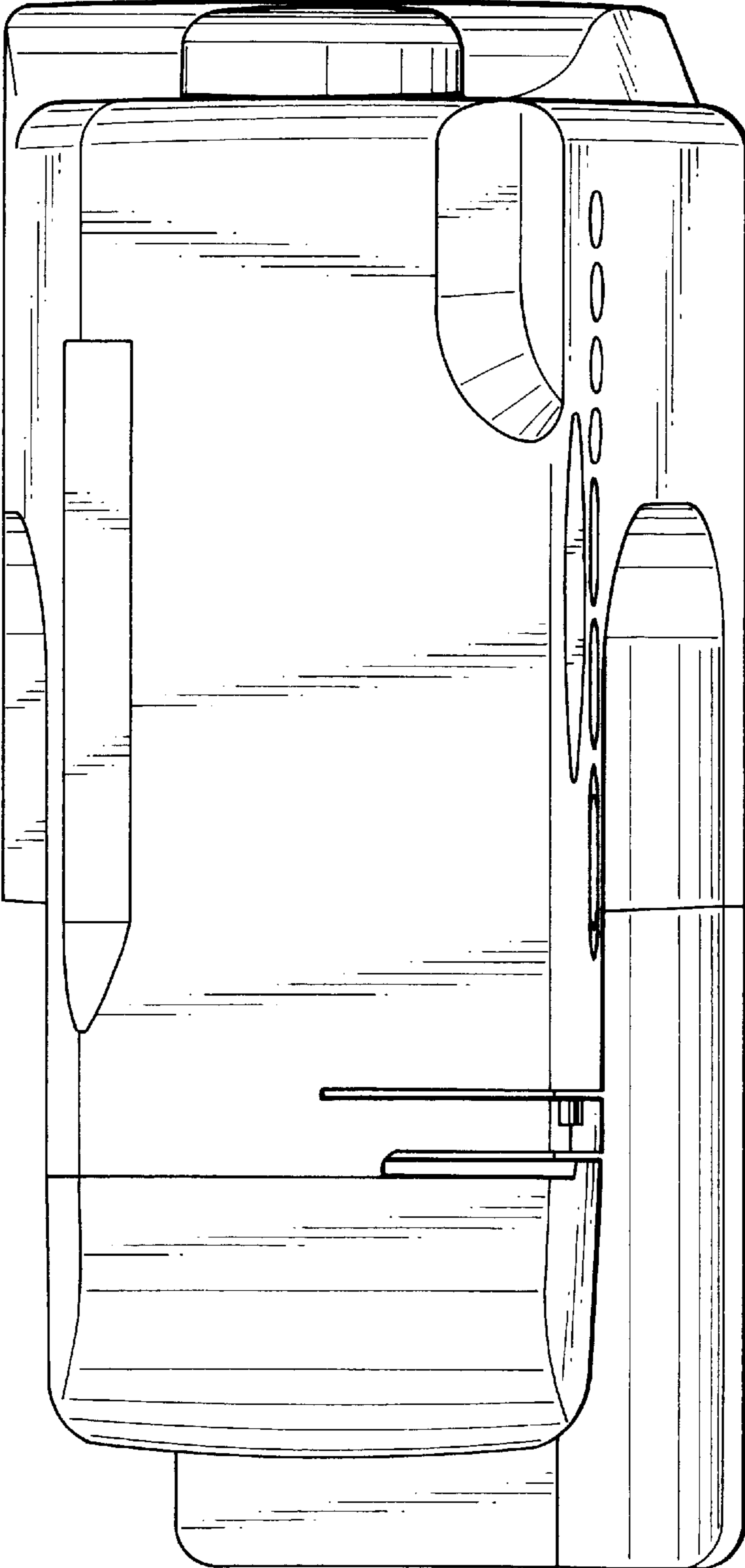


FIG. 6

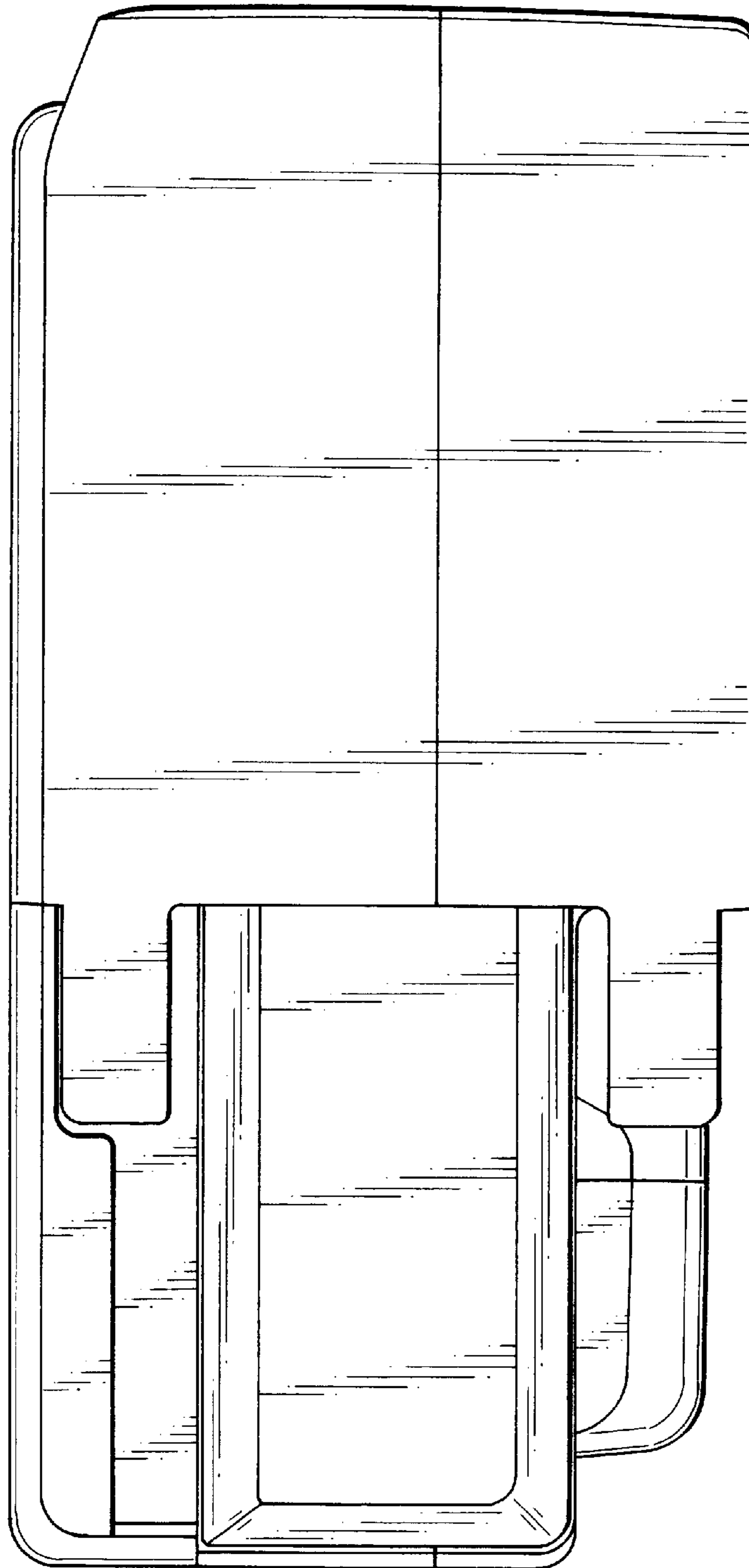


FIG. 7

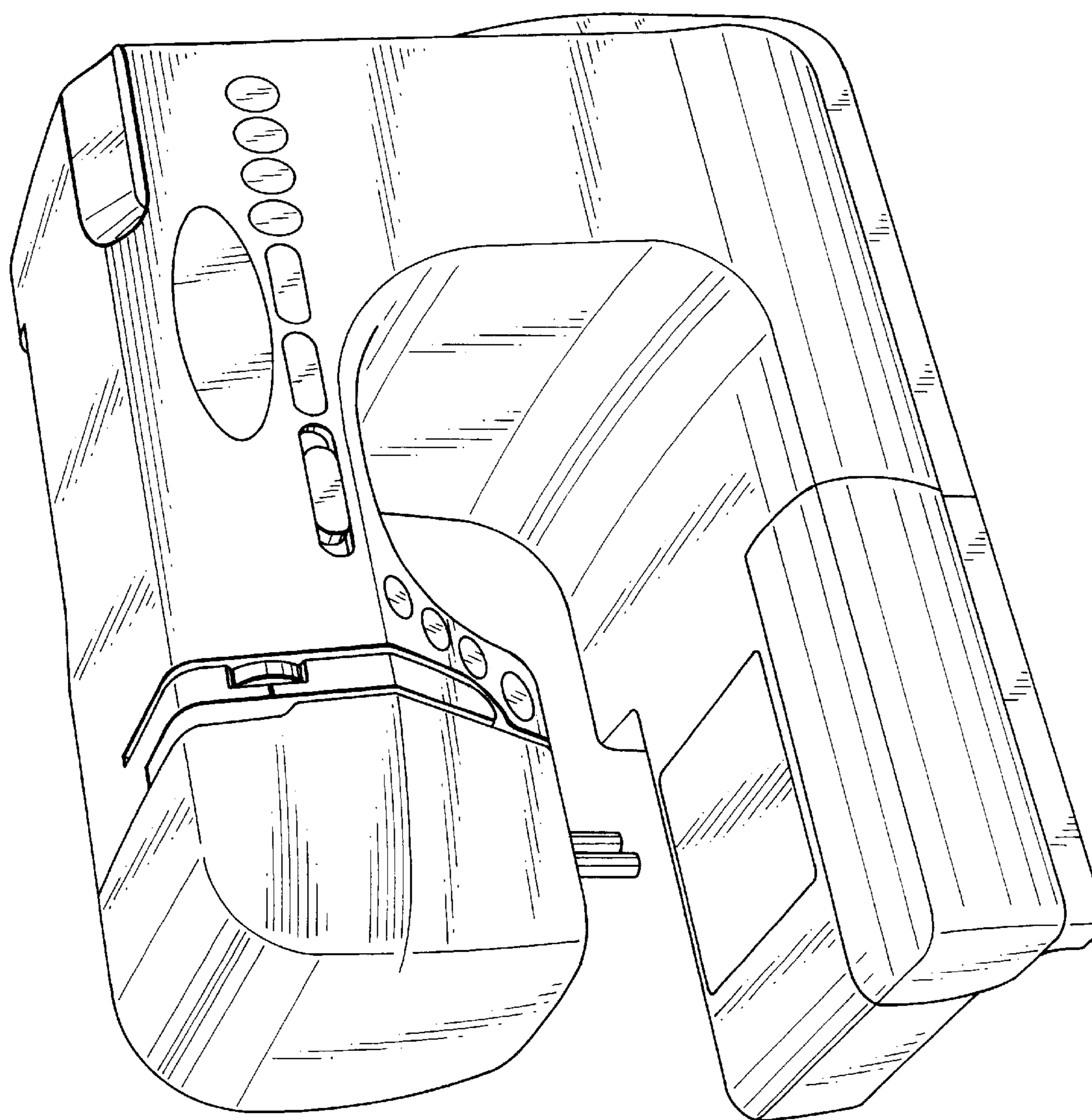


FIG. 8

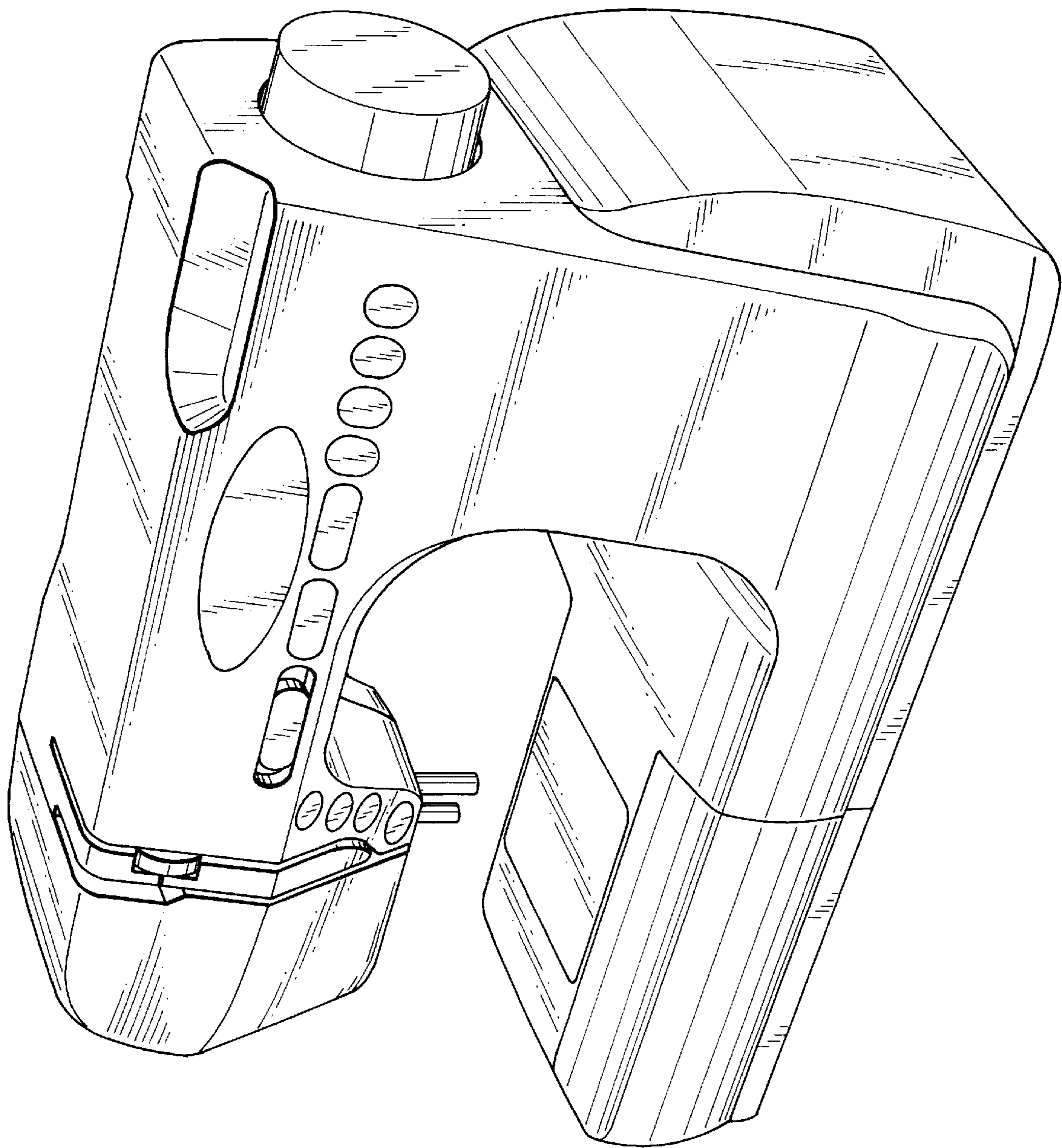


FIG. 9

