

US00D520526S

(12) **United States Design Patent**
Wuest et al.

(10) **Patent No.:** **US D520,526 S**

(45) **Date of Patent:** **** May 9, 2006**

(54) **CROP CONDITIONING ROLL**

(75) Inventors: **Jonathan Michael Wuest**, Ottumwa, IA (US); **Timothy James Kraus**, Hedrick, IA (US); **Michael Joseph Verhulst**, Ottumwa, IA (US)

(73) Assignee: **Deere & Company**, Moline, IL (US)

(**) Term: **14 Years**

(21) Appl. No.: **29/206,354**

(22) Filed: **May 28, 2004**

(51) **LOC (8) Cl.** **15-03**

(52) **U.S. Cl.** **D15/28; 56/1**

(58) **Field of Classification Search** D15/28,
D15/10; 56/110, 1, DIG. 1, DIG. 15, 10.2 R,
56/16.4 C, 16.4 R; 366/325.1

See application file for complete search history.

(56) **References Cited**

U.S. PATENT DOCUMENTS

3,210,825 A * 10/1965 Johnston 241/295
3,241,216 A * 3/1966 Wellendorf 29/895.3
3,325,878 A * 6/1967 Johnston 241/294

3,401,507 A * 9/1968 Yetter 56/1
4,075,822 A * 2/1978 Heckley et al. 56/16.4 C
4,127,979 A * 12/1978 Hoch 56/16.4 C
4,445,313 A * 5/1984 Elliott et al. 56/16.4 C
D286,293 S * 10/1986 Germain D15/28
4,807,645 A * 2/1989 Mietzel et al. 460/32
4,821,494 A * 4/1989 O'Halloran et al. 56/16.4 C
D419,569 S * 1/2000 Liu D15/28
6,050,070 A * 4/2000 Cook 56/14.1

* cited by examiner

Primary Examiner—Stella Reid
Assistant Examiner—Mark A. Goodwin

(57) **CLAIM**

The ornamental design for a crop conditioning roll, as shown and described.

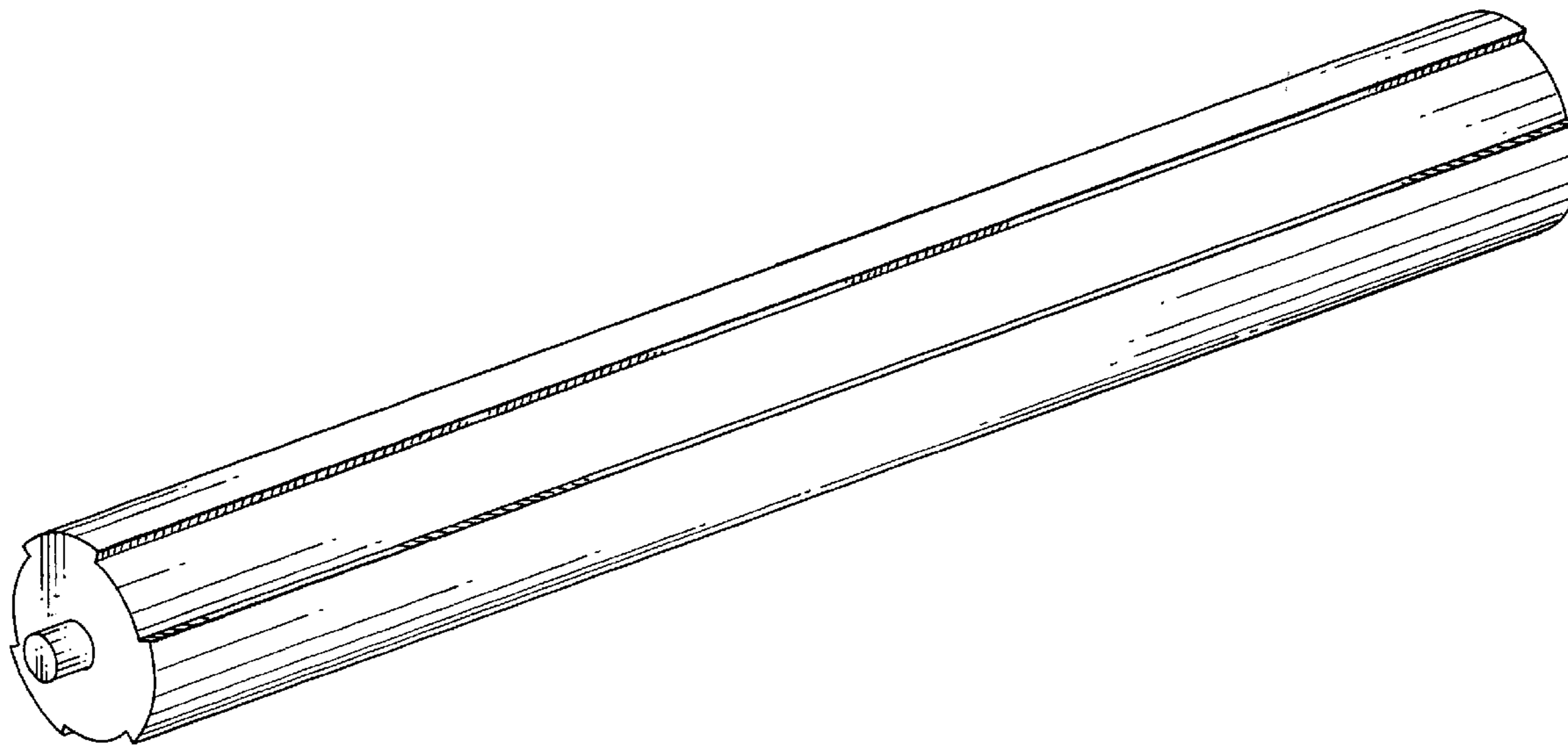
DESCRIPTION

FIG. 1 is a perspective view of the new crop conditioning roll design.

FIG. 2 is an end view of the crop conditioning roll shown in FIG. 1; and,

FIG. 3 is a side view of the crop conditioning roll shown in FIG. 2.

1 Claim, 1 Drawing Sheet



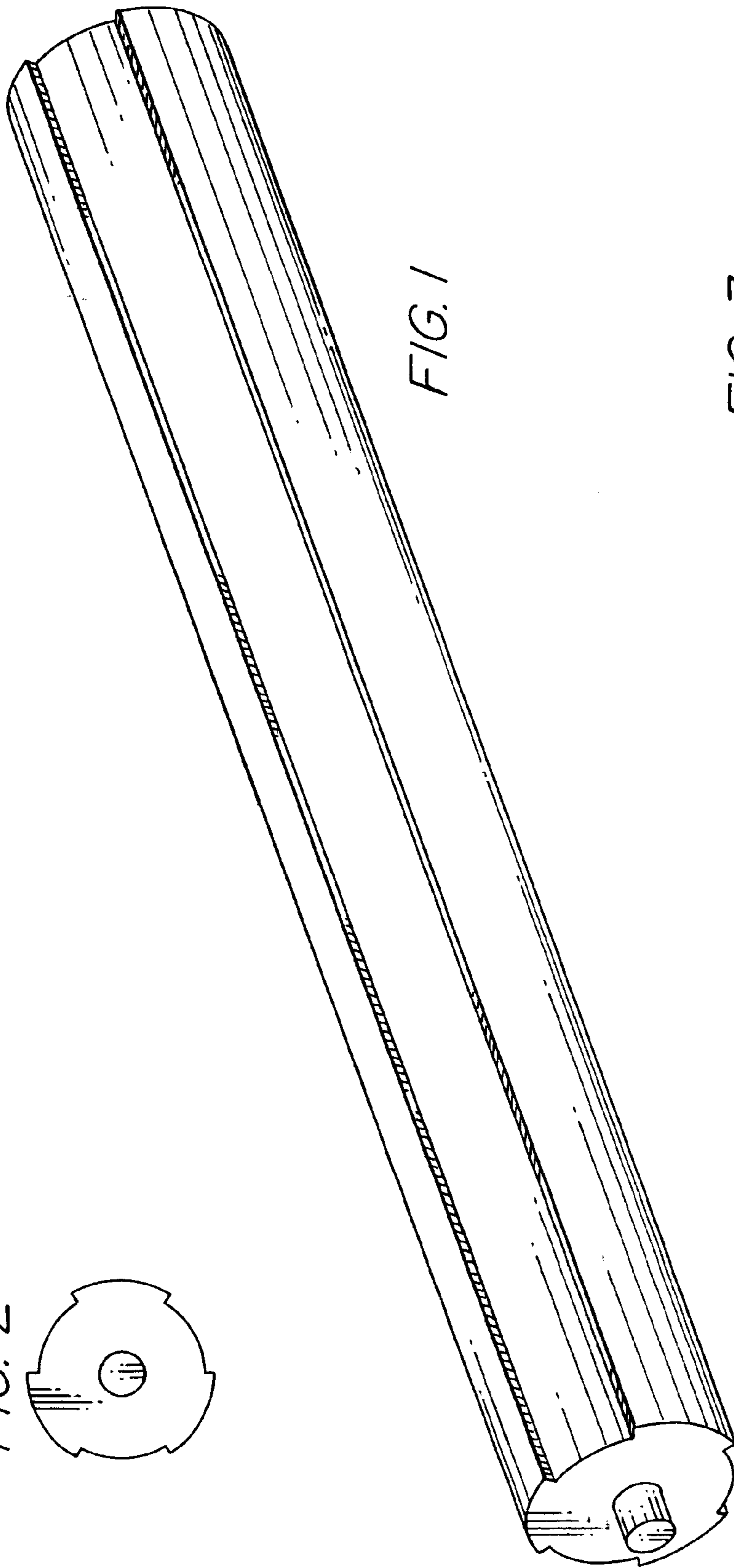
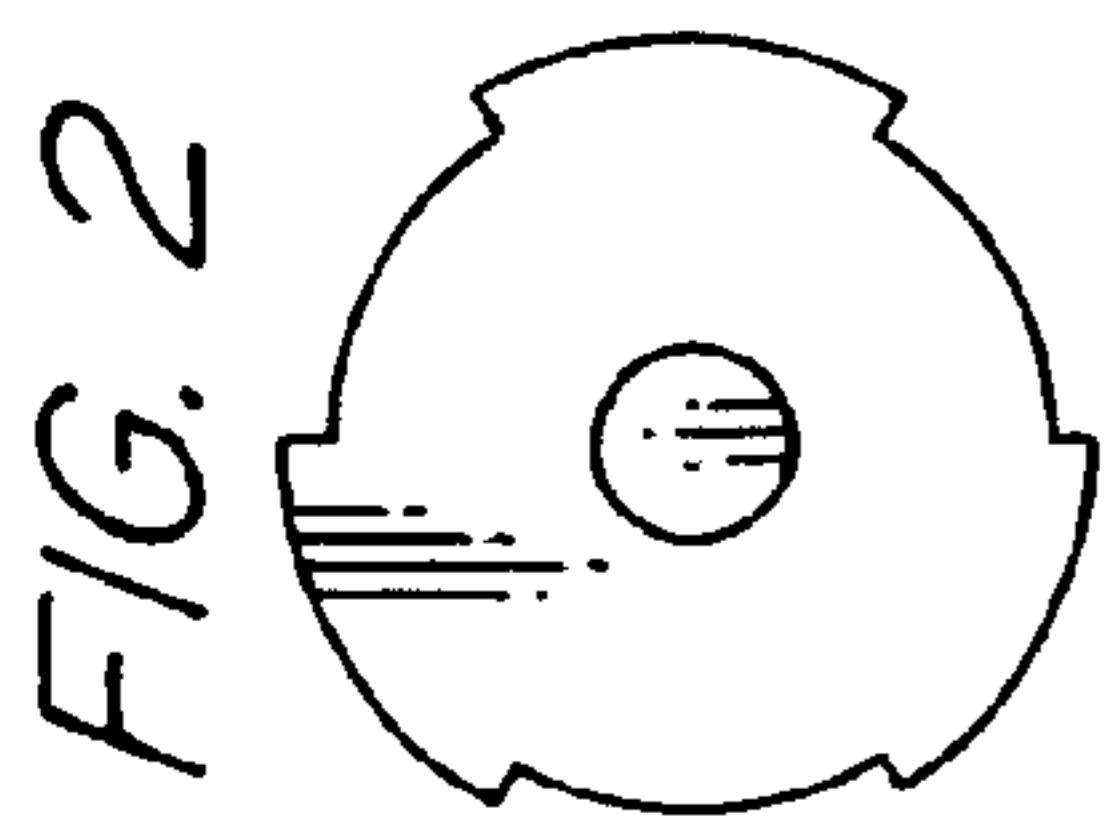


FIG. 3

