



US00D520525S

(12) **United States Design Patent**  
**Enmeiji et al.**

(10) **Patent No.:** **US D520,525 S**

(45) **Date of Patent:** **\*\* May 9, 2006**

(54) **WHEEL LOADER**

(75) Inventors: **Yoshiyuki Enmeiji**, Osaka (JP);  
**Yoshiharu Uchida**, Osaka (JP);  
**Takayuki Itou**, Osaka (JP); **Yusuke Kamo**, Osaka (JP); **Satoshi Horibe**, Osaka (JP)

(73) Assignee: **TCM Corporation**, Osaka (JP)

(\*\*) Term: **14 Years**

(21) Appl. No.: **29/218,362**

(22) Filed: **Dec. 2, 2004**

(30) **Foreign Application Priority Data**

Jun. 7, 2004 (JP) ..... 2004-016820

(51) **LOC (8) Cl.** ..... **12-09**

(52) **U.S. Cl.** ..... **D15/23**

(58) **Field of Classification Search** ..... D15/10,  
D15/22-26; 414/686; 180/89.1, 89.12, 900,  
180/908

See application file for complete search history.

(56) **References Cited**

**U.S. PATENT DOCUMENTS**

D314,389 S \* 2/1991 Lynnes et al. .... D15/25

D317,926 S \* 7/1991 Lynnes et al. .... D15/25  
D322,792 S \* 12/1991 Park ..... D15/25  
D376,372 S \* 12/1996 Little et al. .... D15/23  
D419,568 S \* 1/2000 Baig et al. .... D15/25  
D450,718 S \* 11/2001 Muraro ..... D15/25  
D492,327 S \* 6/2004 Albright et al. .... D15/23

\* cited by examiner

*Primary Examiner*—Stella M. Reid

*Assistant Examiner*—Mark A. Goodwin

(74) *Attorney, Agent, or Firm*—McGinn & Gibb, PLLC

(57) **CLAIM**

The ornamental design for a wheel loader, as shown and described.

**DESCRIPTION**

FIG. 1 is a perspective view of top, front and right side of a wheel loader showing our new design;

FIG. 2 is a perspective view of top, back and right side thereof;

FIG. 3 is a right side view thereof, the left side view being a mirror image thereof;

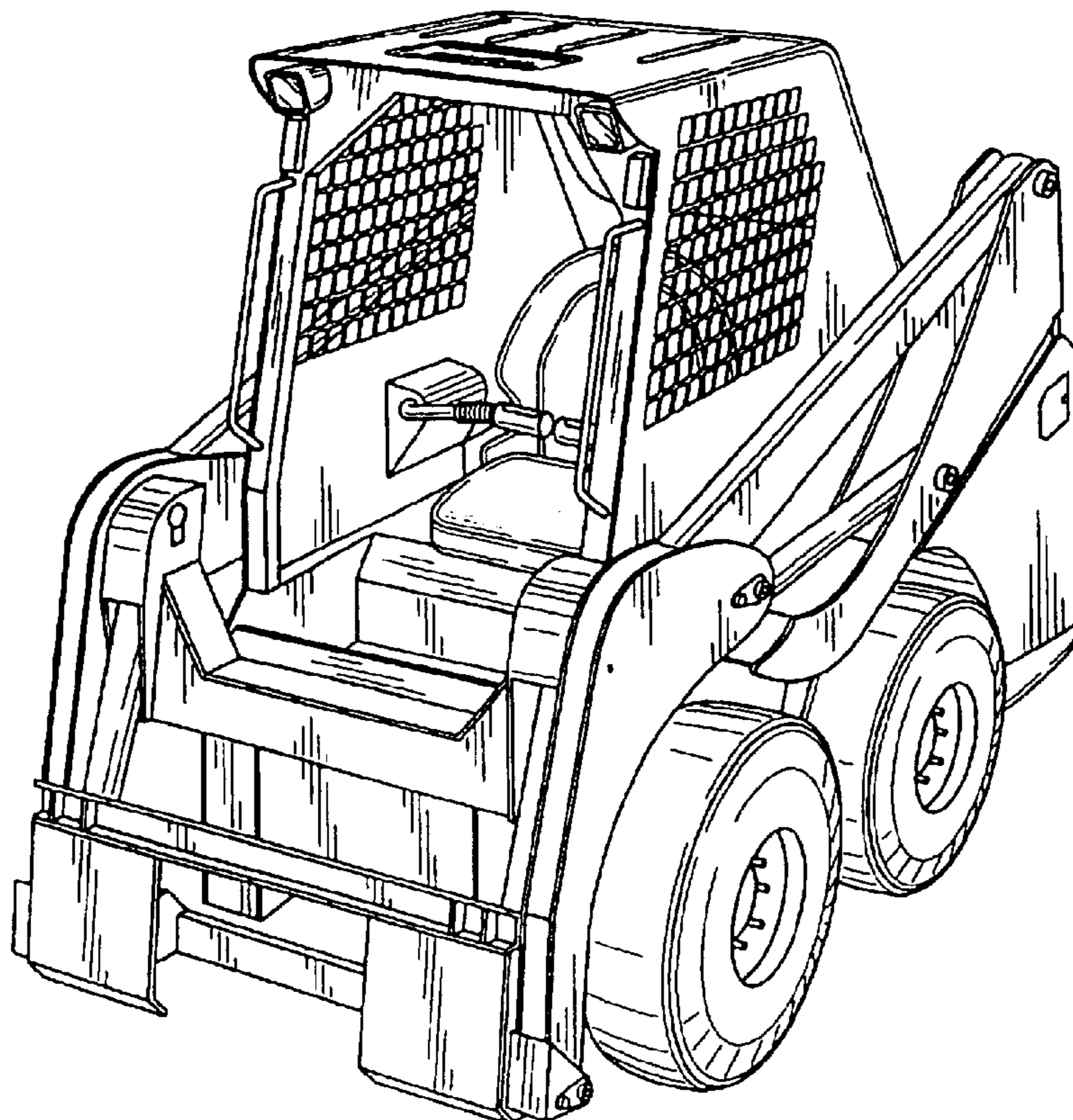
FIG. 4 is a front side view thereof;

FIG. 5 is a rear side view thereof;

FIG. 6 is a top plan view thereof; and,

FIG. 7 is a bottom view thereof.

**1 Claim, 7 Drawing Sheets**



*FIG. 1*

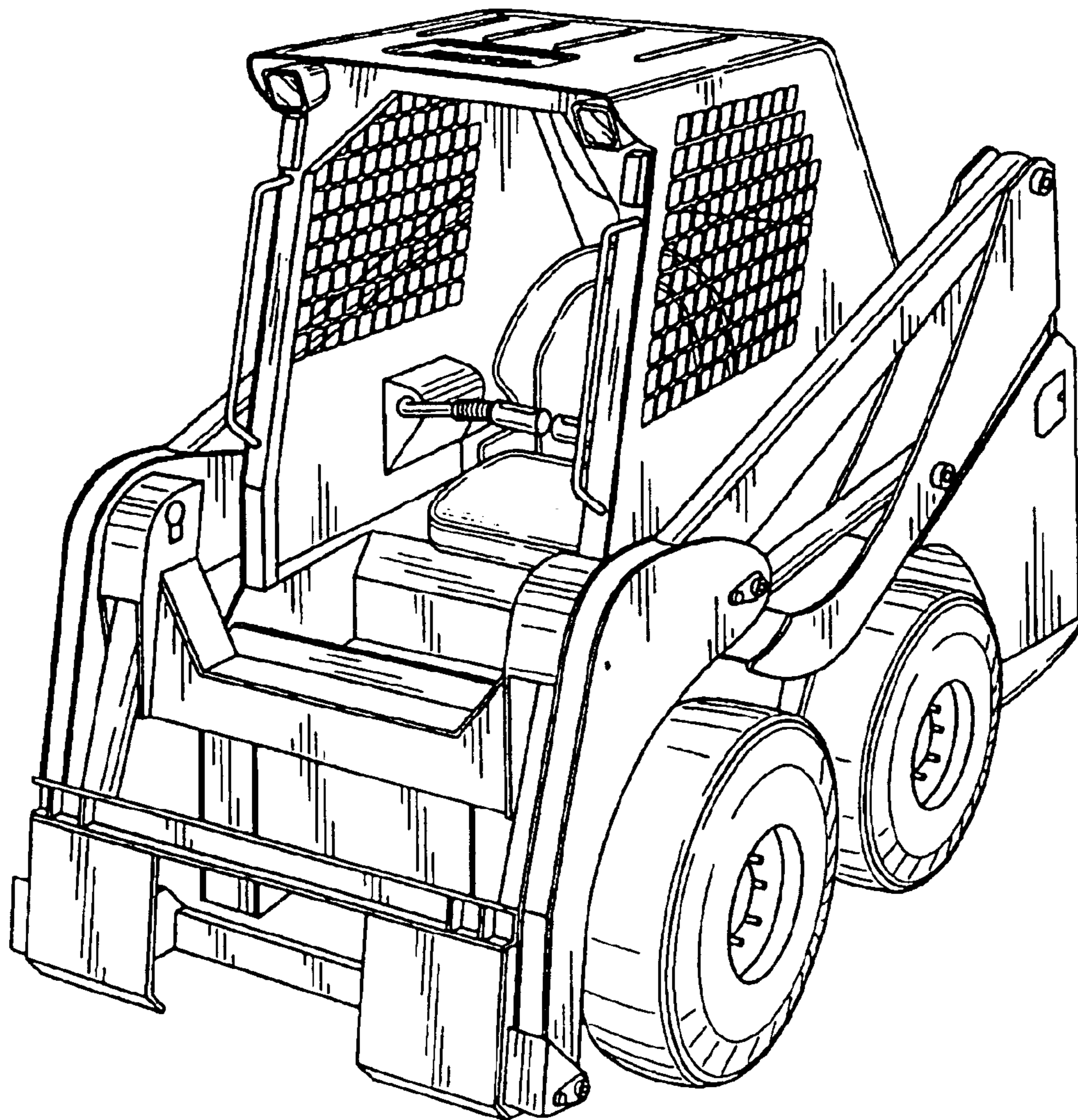


FIG. 2

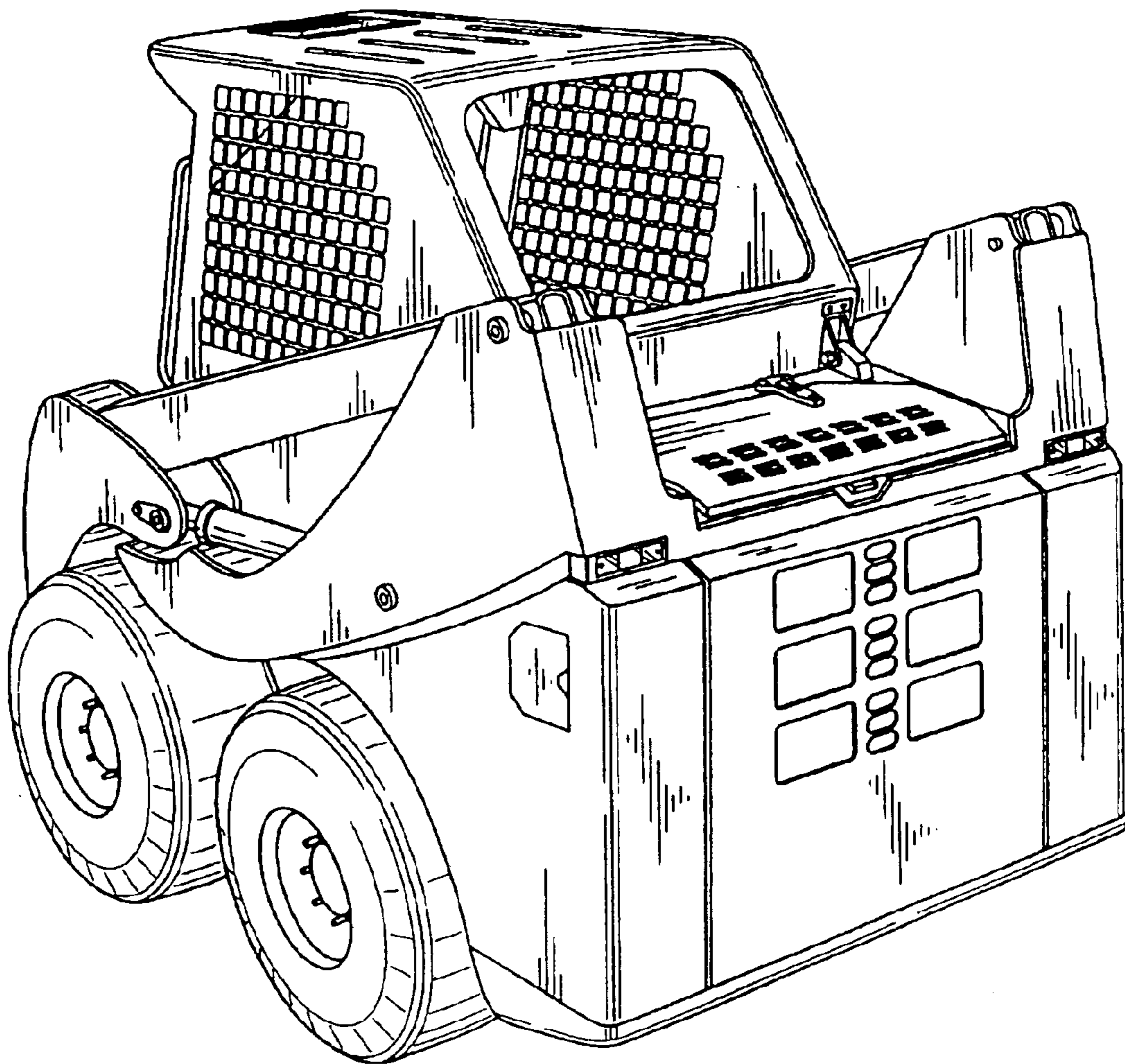
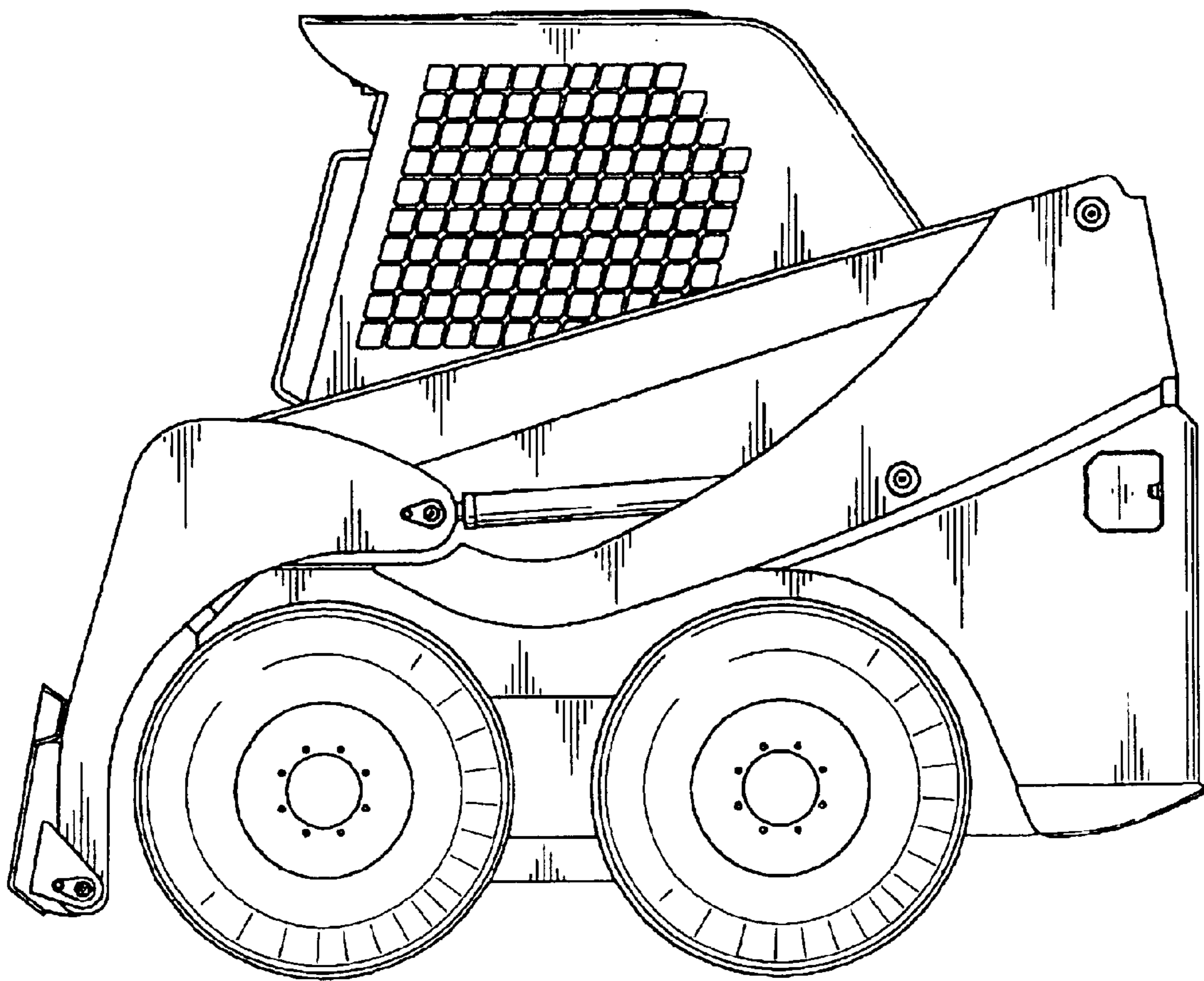
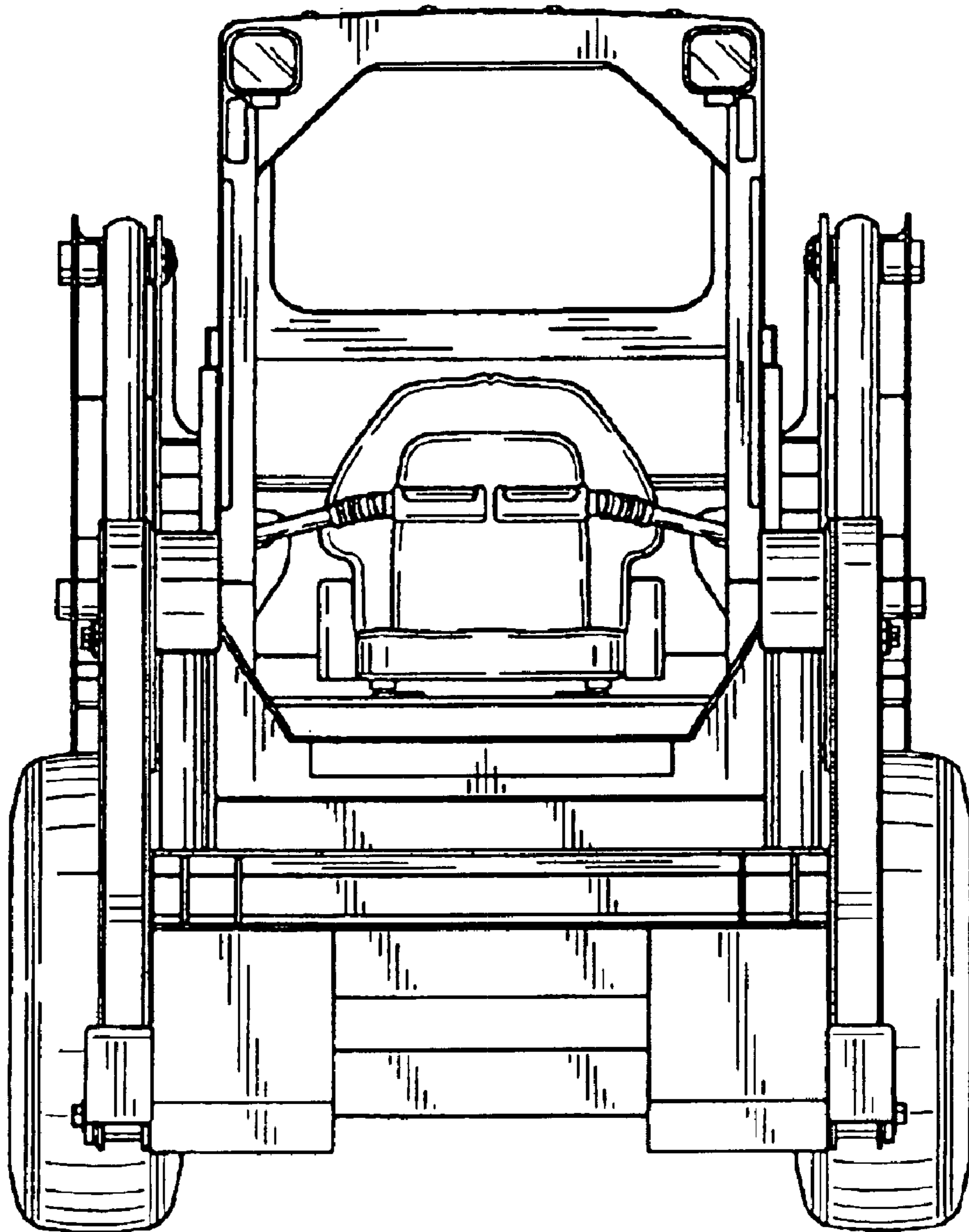


FIG. 3



*FIG. 4*



*FIG. 5*

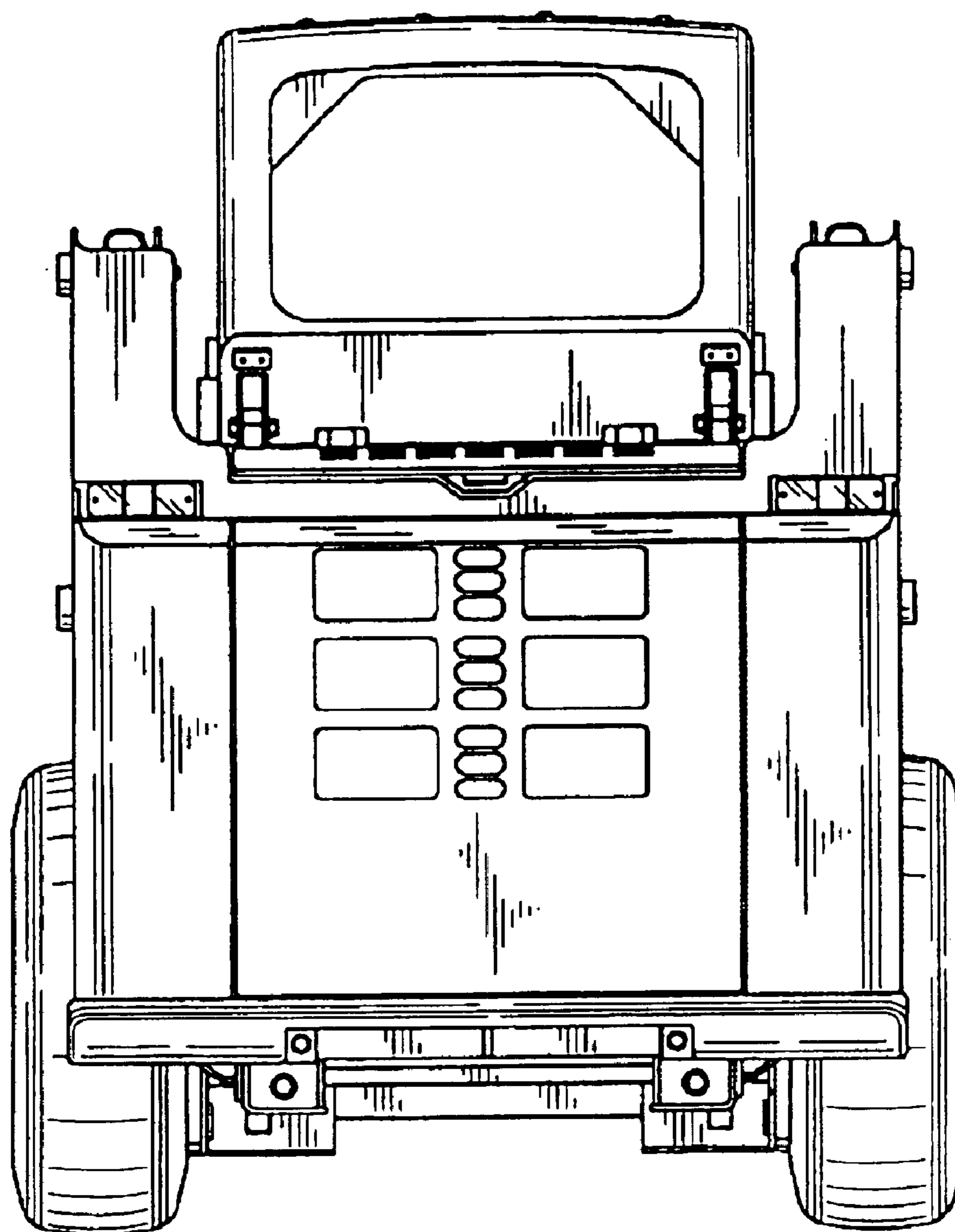


FIG. 6

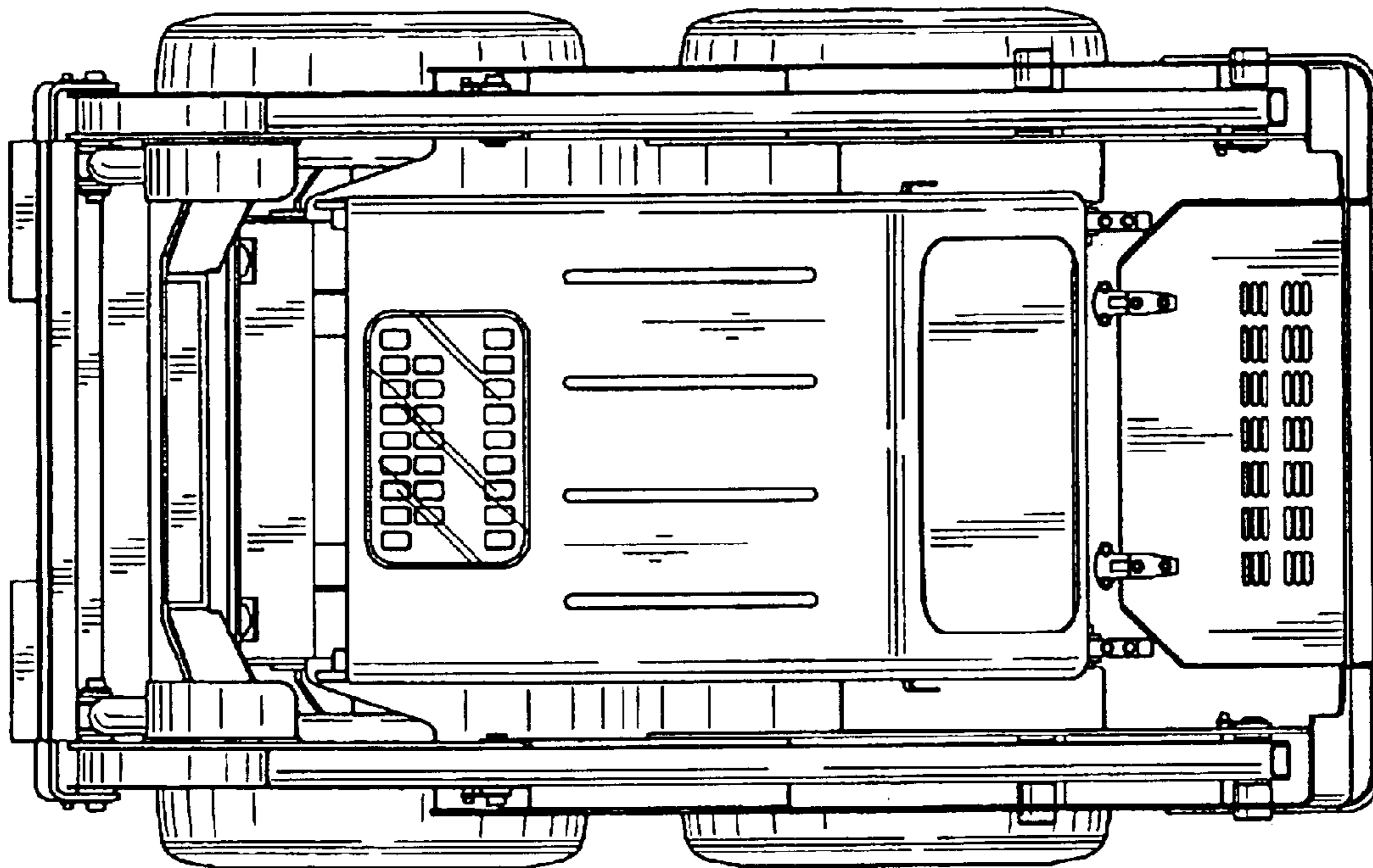
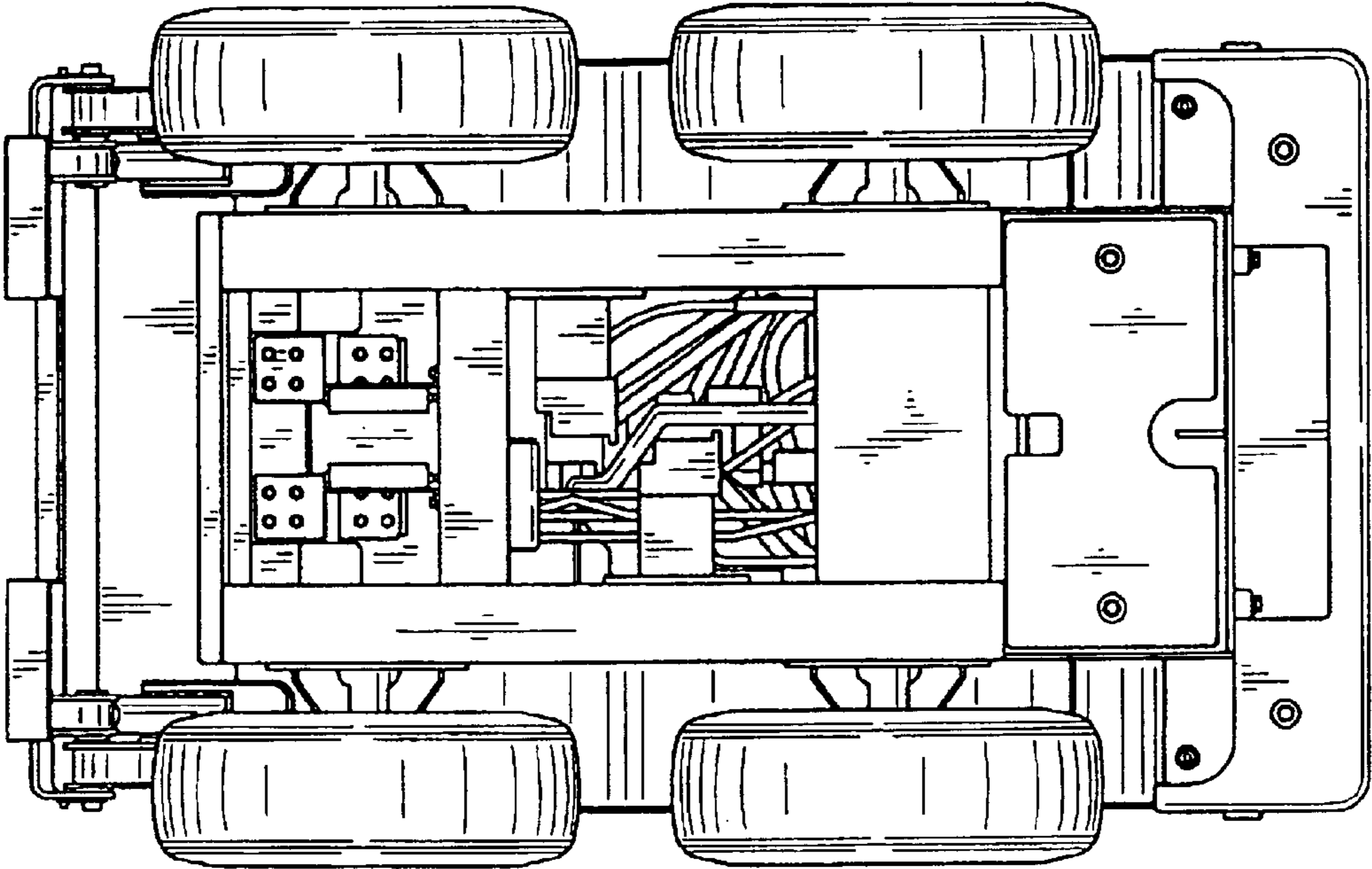


FIG. 7





UNITED STATES PATENT AND TRADEMARK OFFICE  
**CERTIFICATE OF CORRECTION**

PATENT NO. : Des. 520,525 S  
APPLICATION NO. : 29/218362  
DATED : May 9, 2006  
INVENTOR(S) : Yoshiyuki Enmeiji et al.

Page 1 of 3

It is certified that error appears in the above-identified patent and that said Letters Patent is hereby corrected as shown below:

The drawing sheet, consisting of Figures 6 and 7, should be deleted and replaced with drawing sheets, consisting of Fig. 6 and 7, as shown on the attached page.

Signed and Sealed this

Twenty-sixth Day of December, 2006

A handwritten signature in black ink on a light gray dotted background. The signature reads "Jon W. Dudas" in a cursive style.

JON W. DUDAS

*Director of the United States Patent and Trademark Office*

FIG. 6

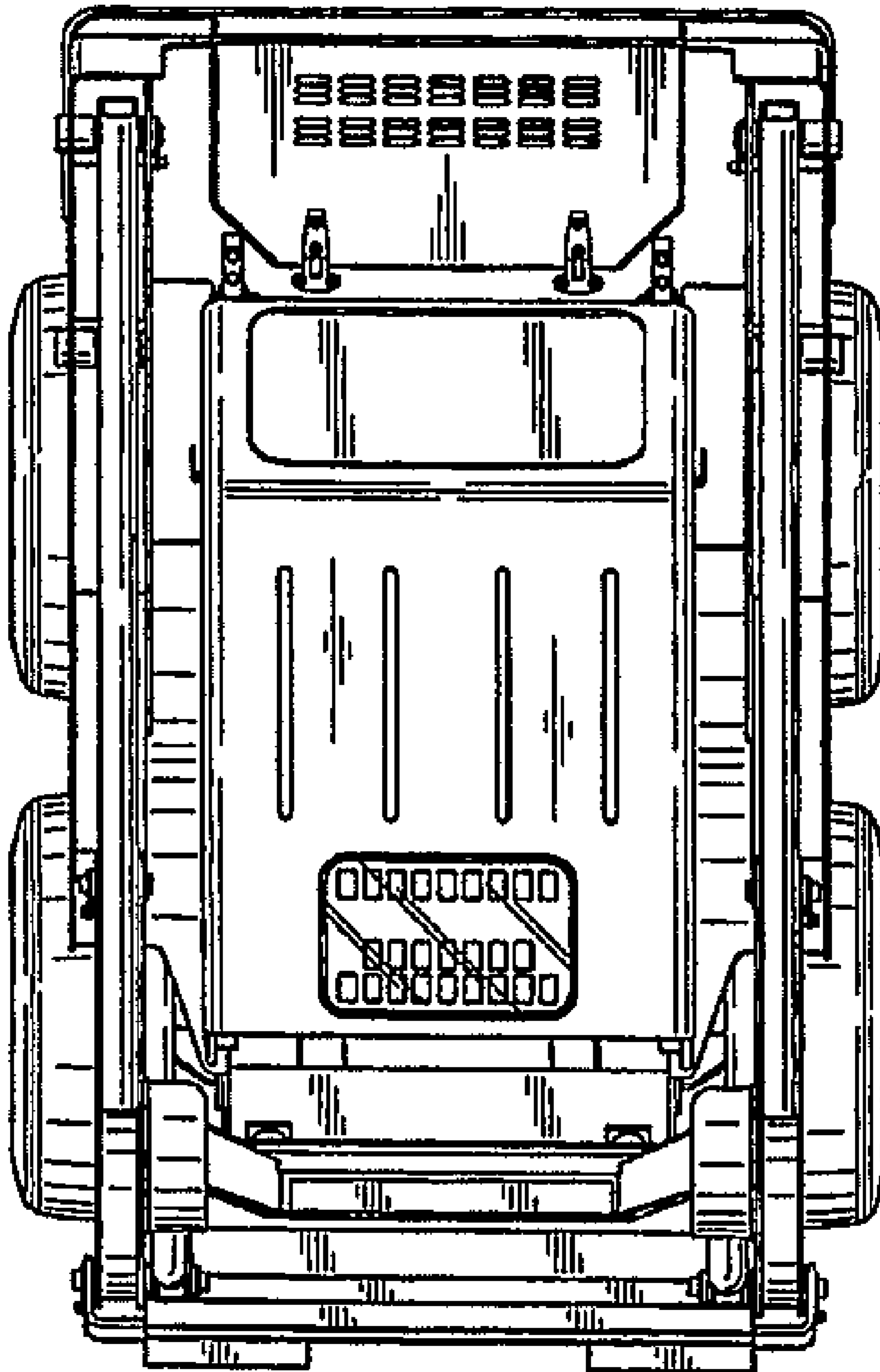


FIG. 7

