



US00D520524S

(12) **United States Design Patent**
Sandler et al.

(10) **Patent No.:** **US D520,524 S**

(45) **Date of Patent:** **** May 9, 2006**

(54) **HOPPER FOR BED-MOUNTED SPREADER ASSEMBLY**

(75) Inventors: **Phillip Sandler**, Mayfield Village, OH (US); **Michael J. Cowett**, Solon, OH (US); **Timothy Bunsey**, Mayfield Heights, OH (US); **Mathew Philpott**, Chardon, OH (US)

(73) Assignee: **Buyers Products Company**, Mentor, OH (US)

(**) Term: **14 Years**

(21) Appl. No.: **29/221,738**

(22) Filed: **Jan. 19, 2005**

(51) **LOC (8) Cl.** **15-03**

(52) **U.S. Cl.** **D15/13; D12/221; D12/15**

(58) **Field of Classification Search** D15/10, D15/13, 28, 33; D12/221, 15, 98; 239/668, 239/670, 654, 657, 672, 679, 7, 659, 661, 239/650, 666, 673, 677; 414/526; 222/252; D34/28

See application file for complete search history.

(56) **References Cited**

U.S. PATENT DOCUMENTS

2,612,294	A	*	9/1952	Dorschner	222/252
2,799,510	A	*	7/1957	Schmidt	239/666
3,322,429	A		5/1967	Cervelli	239/670
4,124,167	A	*	11/1978	Coleman	239/673
4,212,428	A	*	7/1980	Walker	239/677
D296,789	S	*	7/1988	Larsson	D15/13
4,767,063	A	*	8/1988	Wall et al.	239/672
5,108,038	A	*	4/1992	Palladino et al.	239/661
D335,293	S	*	5/1993	Pingry et al.	D15/28
5,375,773	A	*	12/1994	Lewis	239/650
5,501,405	A	*	3/1996	Doornek	239/683
D368,914	S	*	4/1996	Pink et al.	D15/13
5,649,666	A		7/1997	Lewis	239/657

D402,670	S	*	12/1998	Becker	D15/13
D425,915	S	*	5/2000	Truan et al.	D15/13
6,068,200	A		5/2000	Kime	239/7
6,123,276	A	*	9/2000	Ungerer et al.	239/675
D431,889	S	*	10/2000	Jansen et al.	D34/28
6,422,490	B1		7/2002	Truan et al.	239/659
D478,543	S		8/2003	Truan et al.	D12/221
2002/0179750	A1		12/2002	Truan et al.	239/679

* cited by examiner

Primary Examiner—Stella Reid

Assistant Examiner—Mark Goodwin

(74) *Attorney, Agent, or Firm*—Kusner & Jaffe

(57) **CLAIM**

The ornamental design for the hopper for bed-mounted spreader assembly, as shown and described.

DESCRIPTION

FIG. 1 is a perspective view of a hopper for bed-mounted spreader assembly showing our new design, the vehicle and spreader assembly shown in broken lines are for illustrative purposes only and form no part of the claimed design;

FIG. 2 is a top perspective view thereof;

FIG. 3 is a side view thereof; the opposite side being a mirror image;

FIG. 4 is a back view thereof;

FIG. 5 is a front view thereof;

FIG. 6 is a top view thereof;

FIG. 7 is a bottom view thereof;

FIG. 8 is a perspective back end view of a second embodiment of a hopper for bed-mounted spreader assembly showing our new design;

FIG. 9 is a top perspective view thereof;

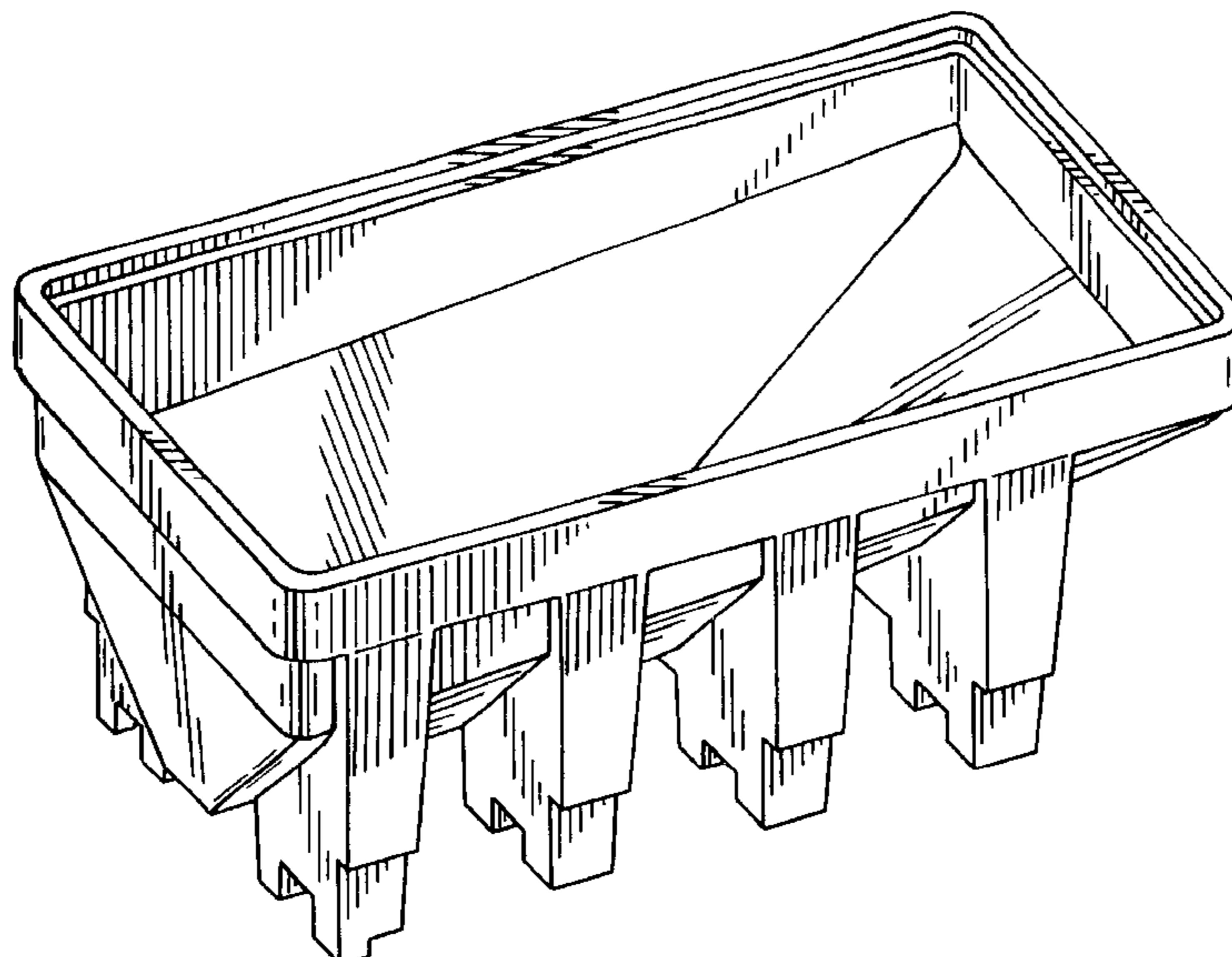
FIG. 10 is a front view thereof;

FIG. 11 is a back view thereof;

FIG. 12 is a side view thereof, the opposite side being a mirror image; and,

FIG. 13 is a bottom view thereof.

1 Claim, 5 Drawing Sheets



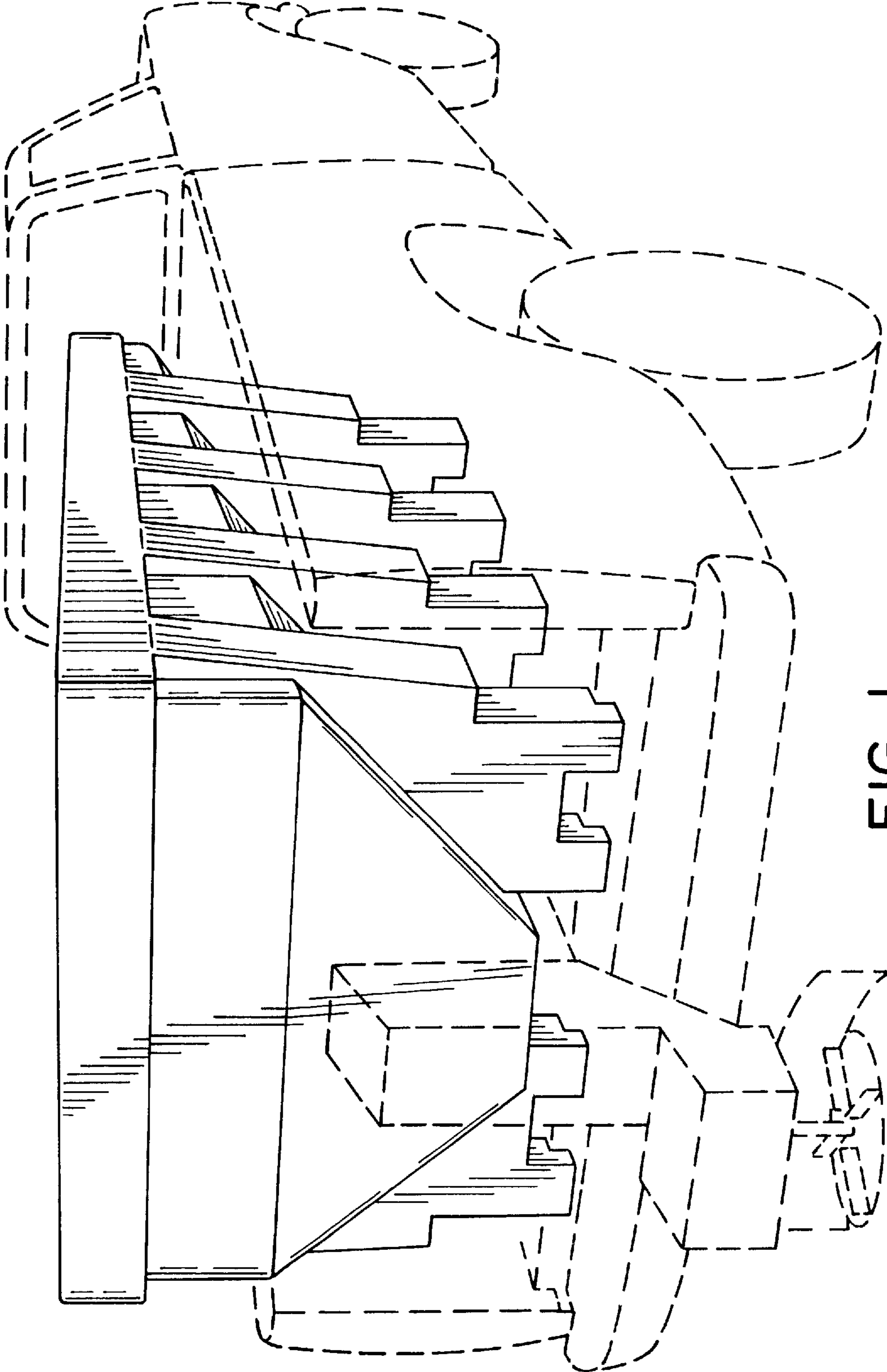


FIG. 1

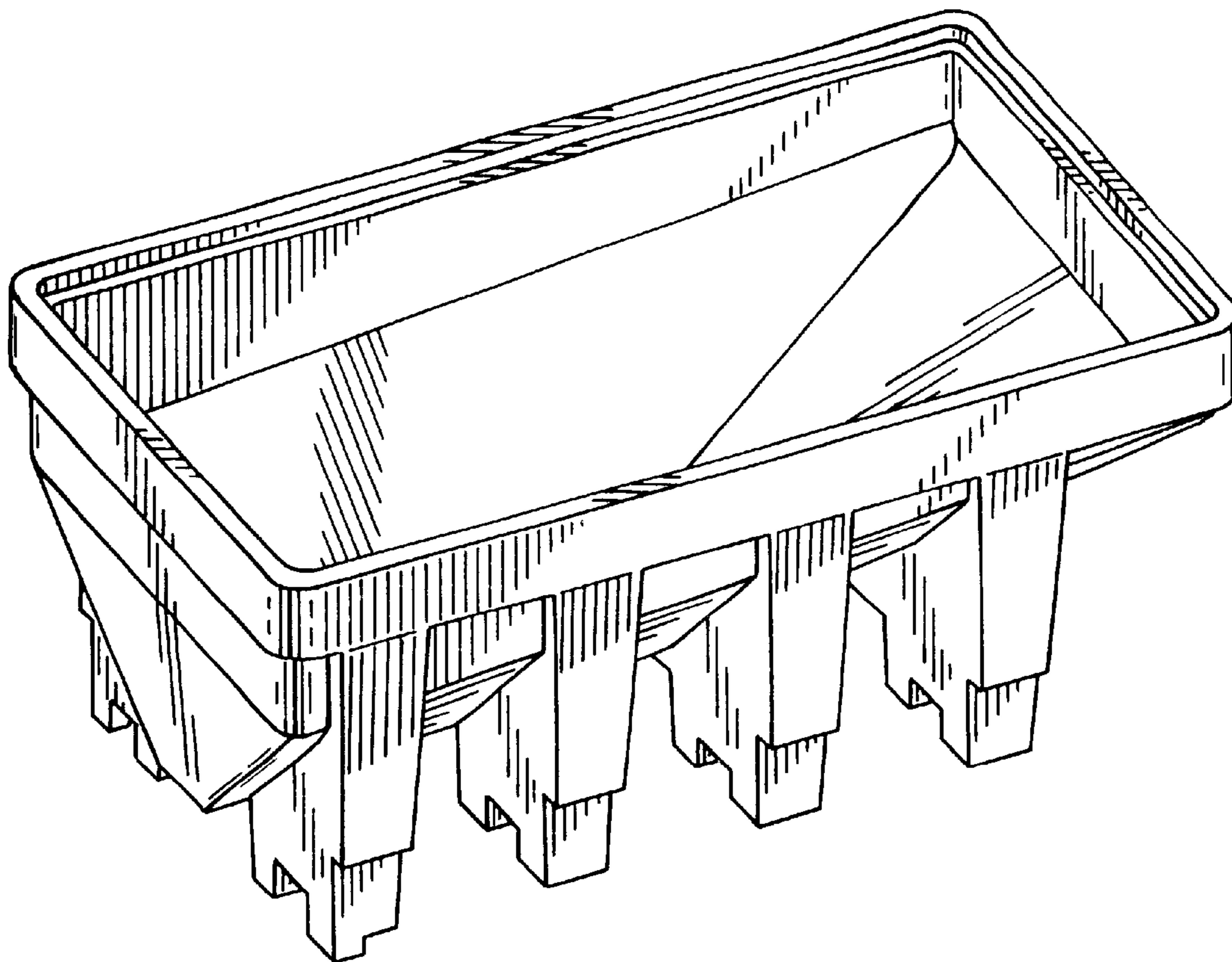


FIG. 2

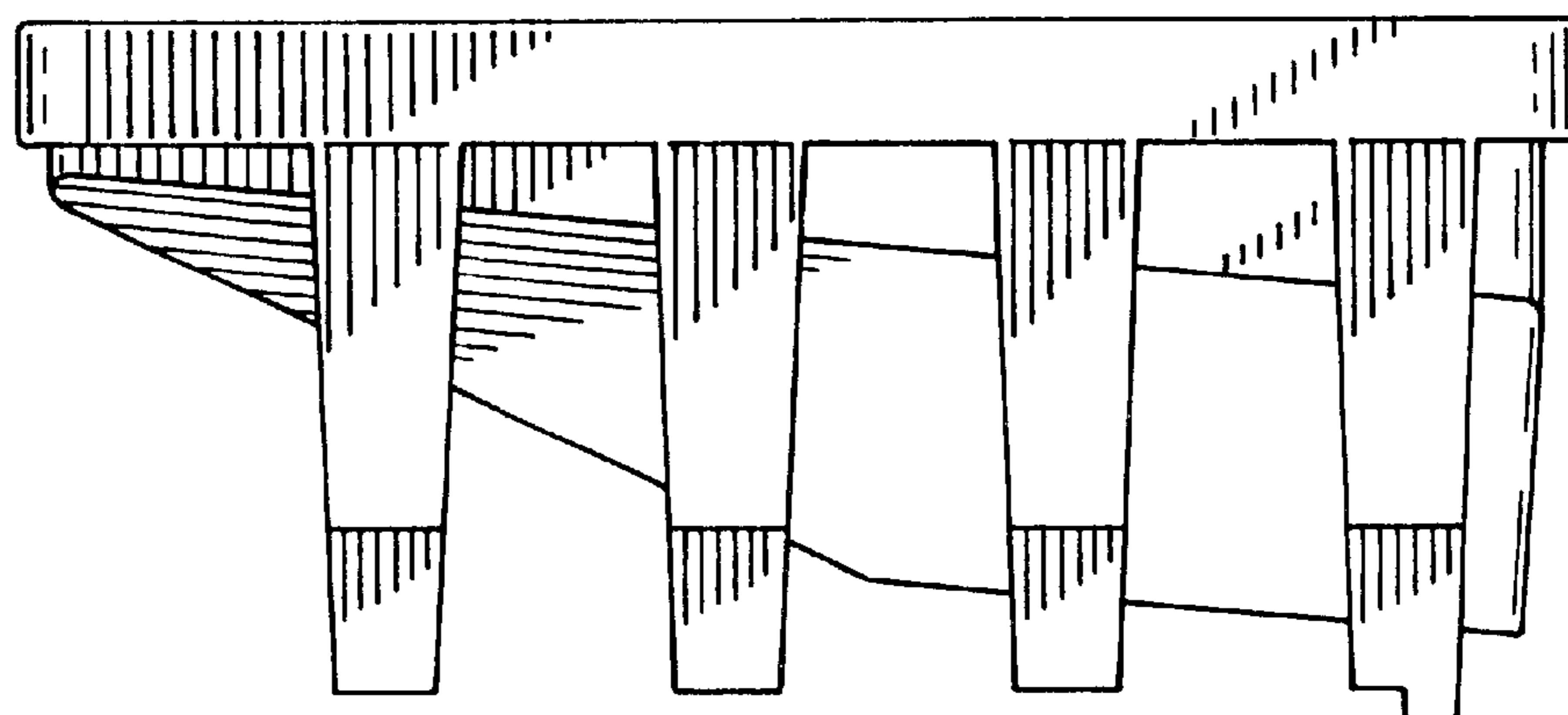


FIG. 3

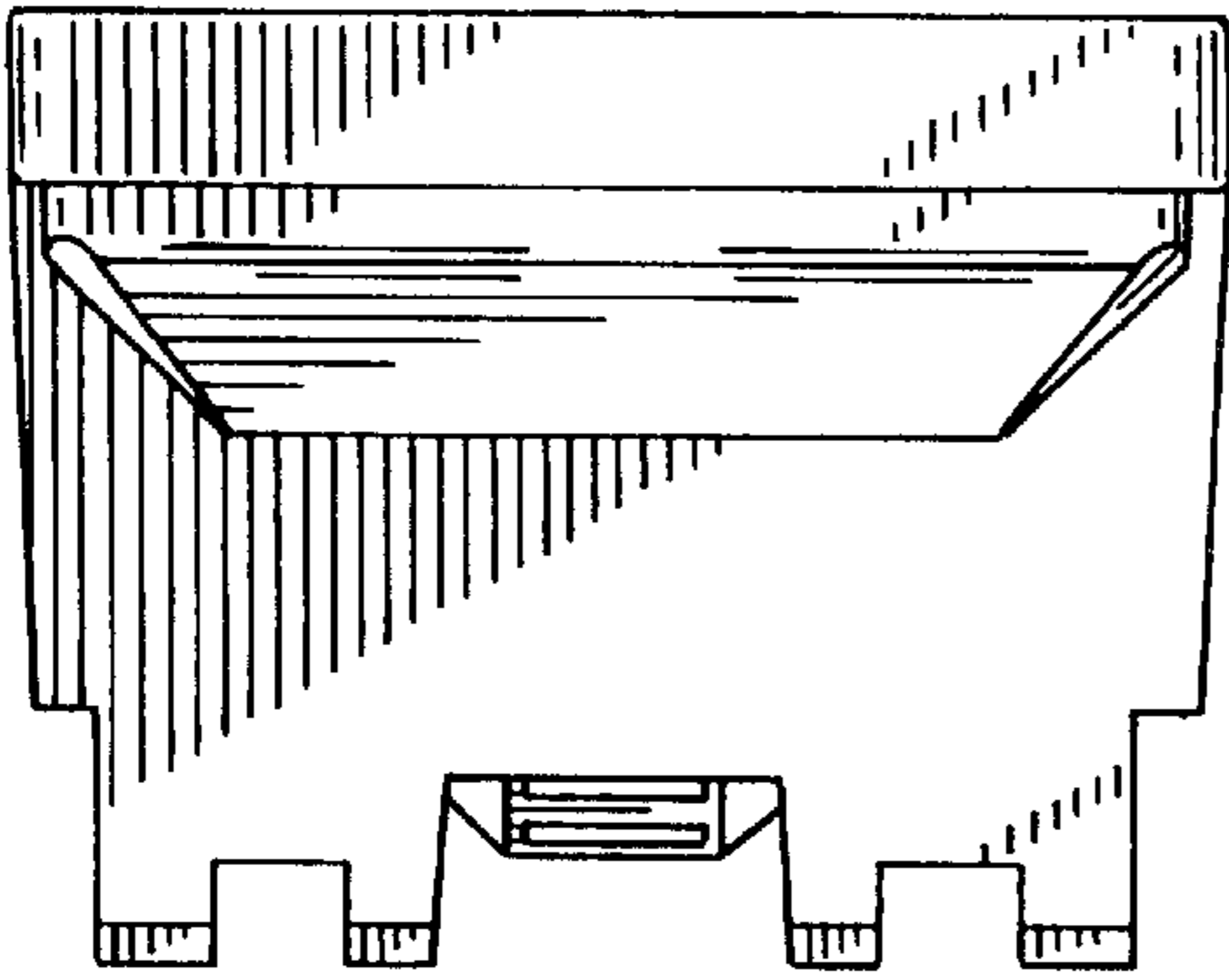


FIG. 4

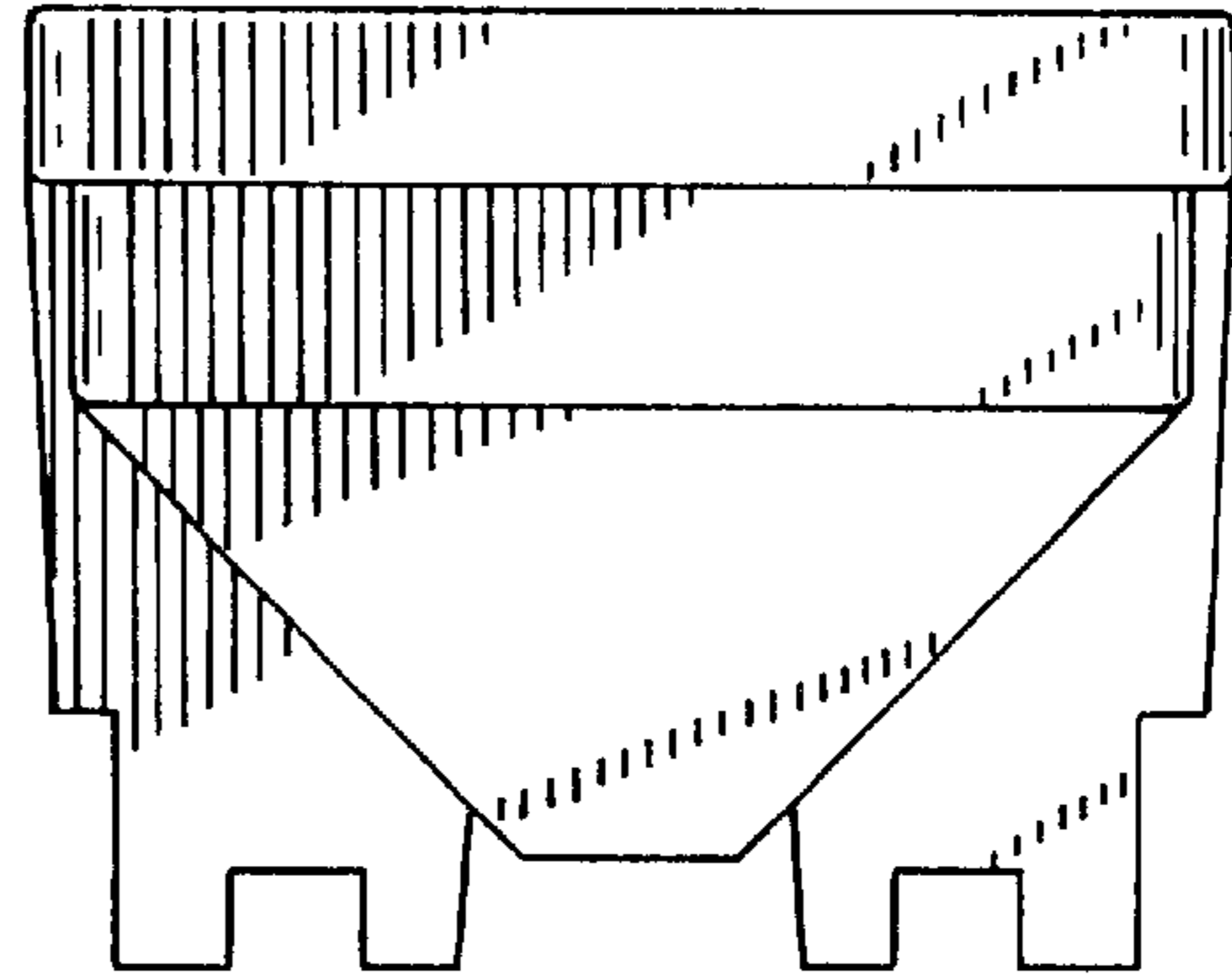


FIG. 5

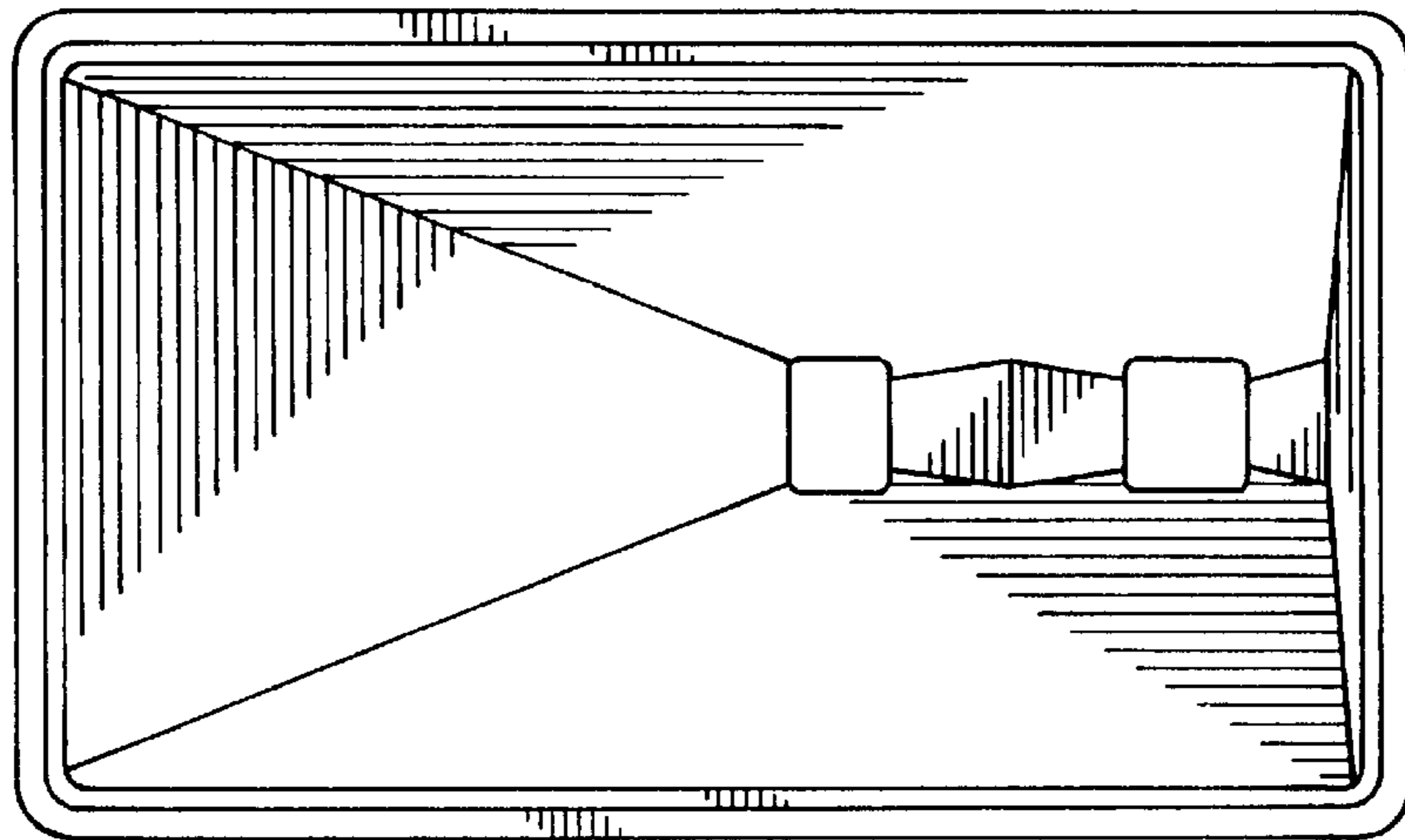


FIG. 6

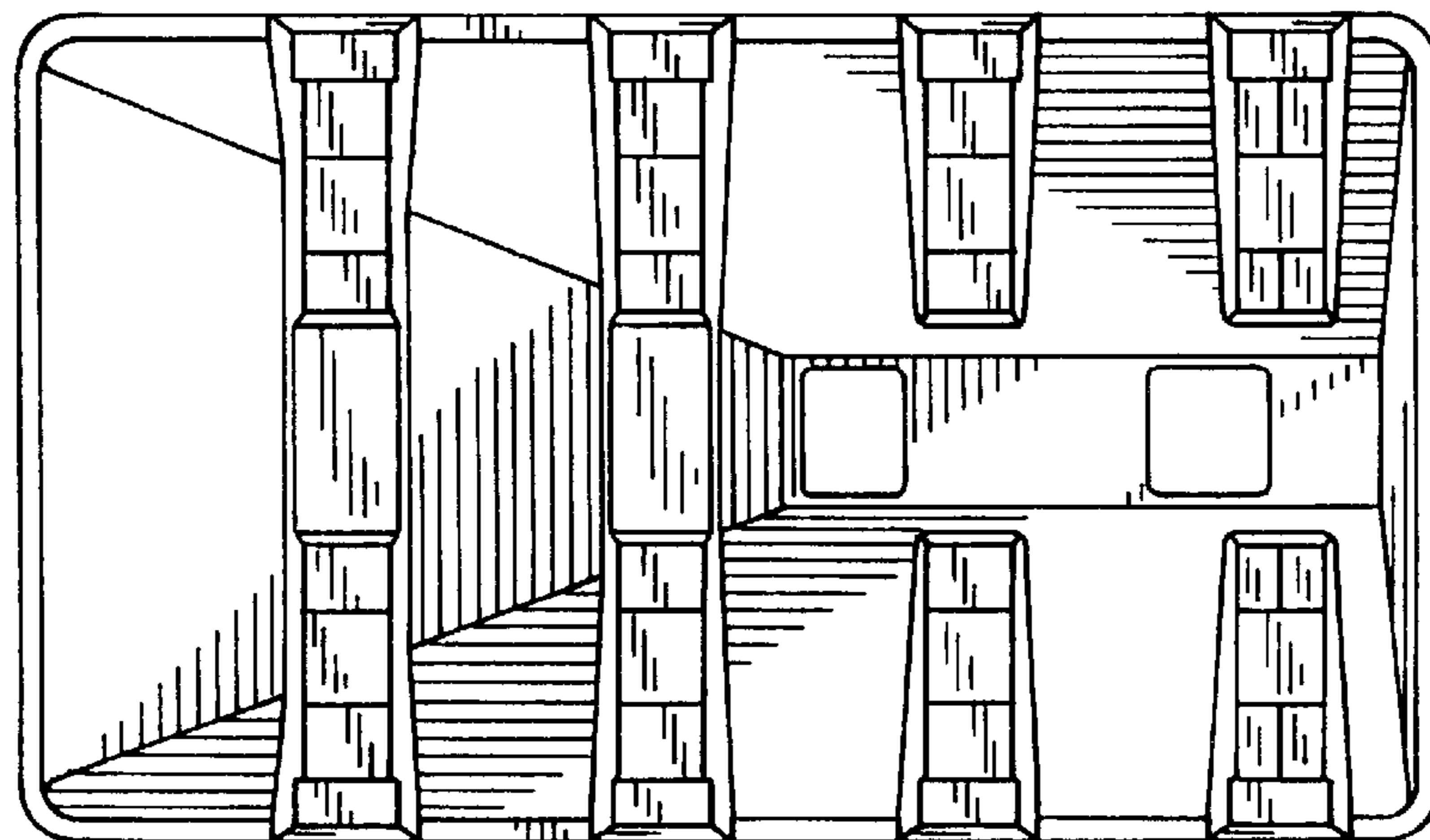


FIG. 7

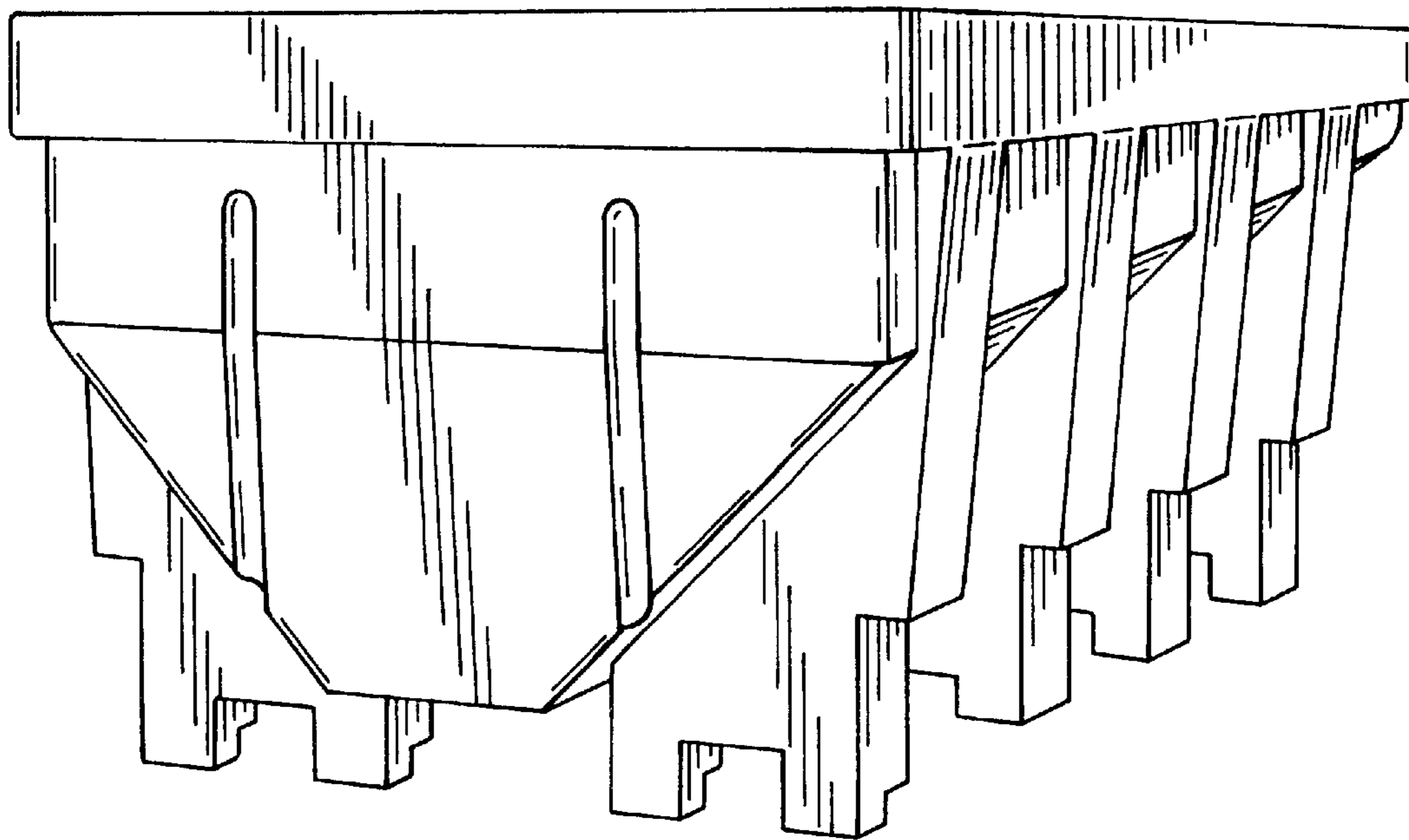


FIG. 8

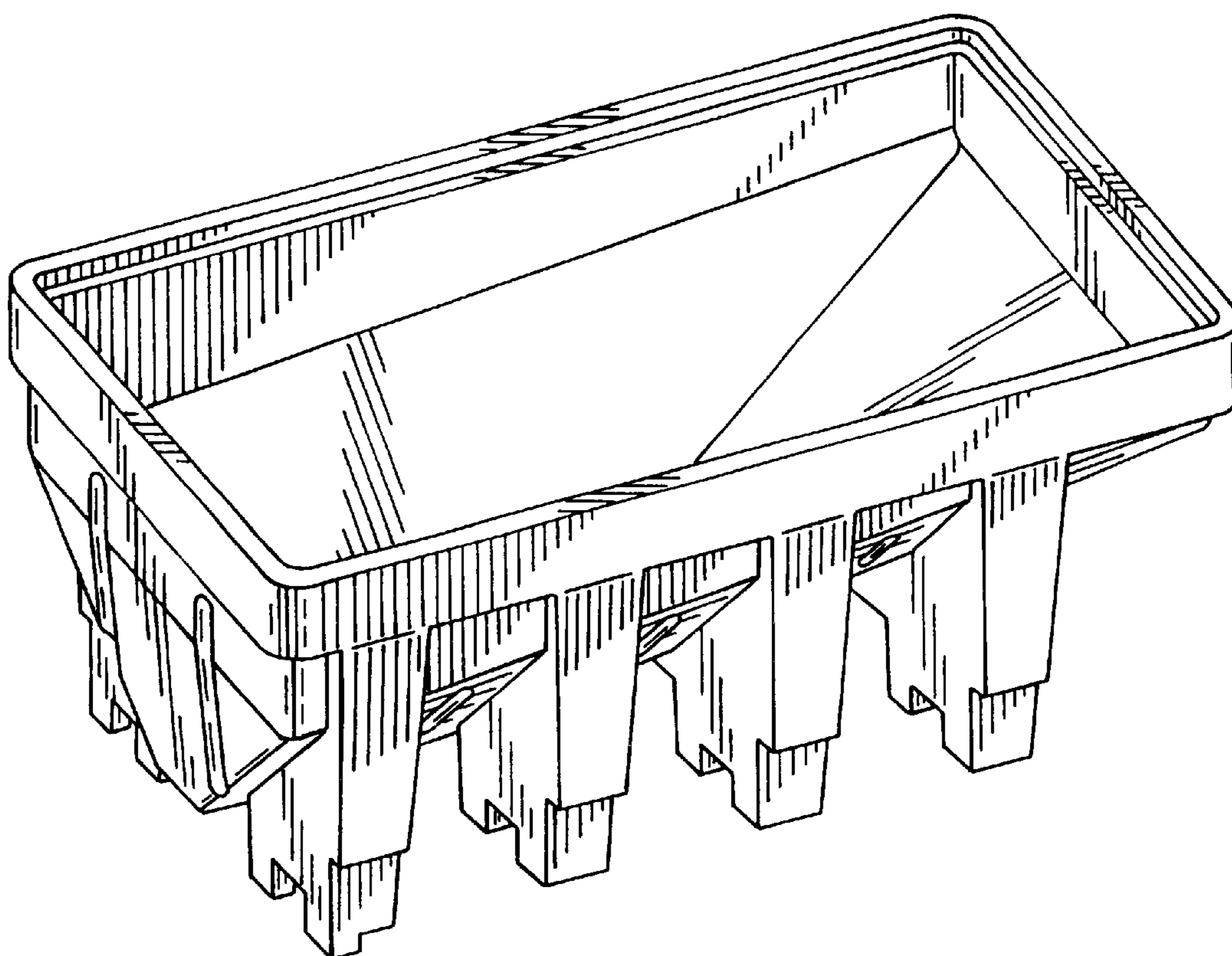


FIG. 9

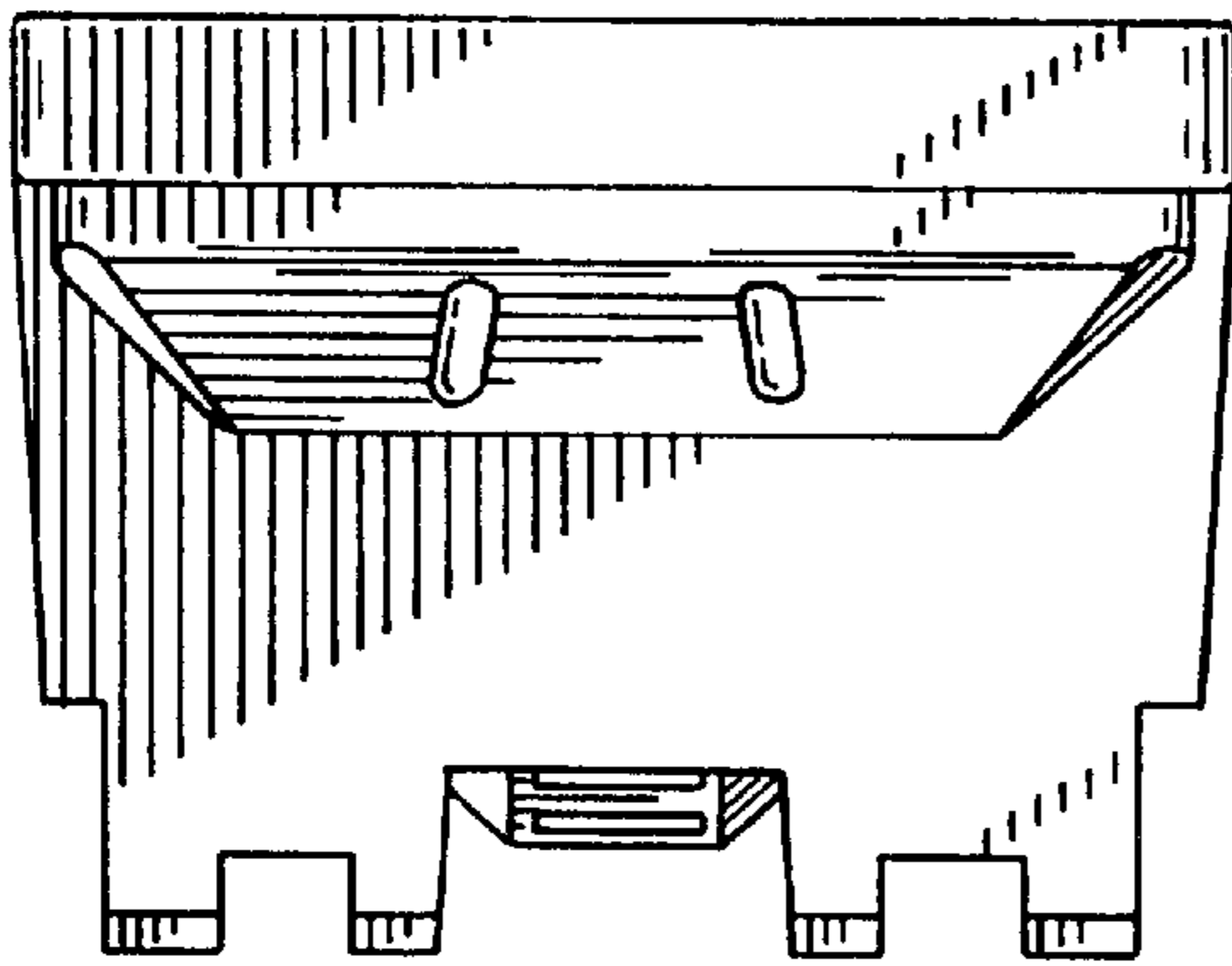


FIG. 10

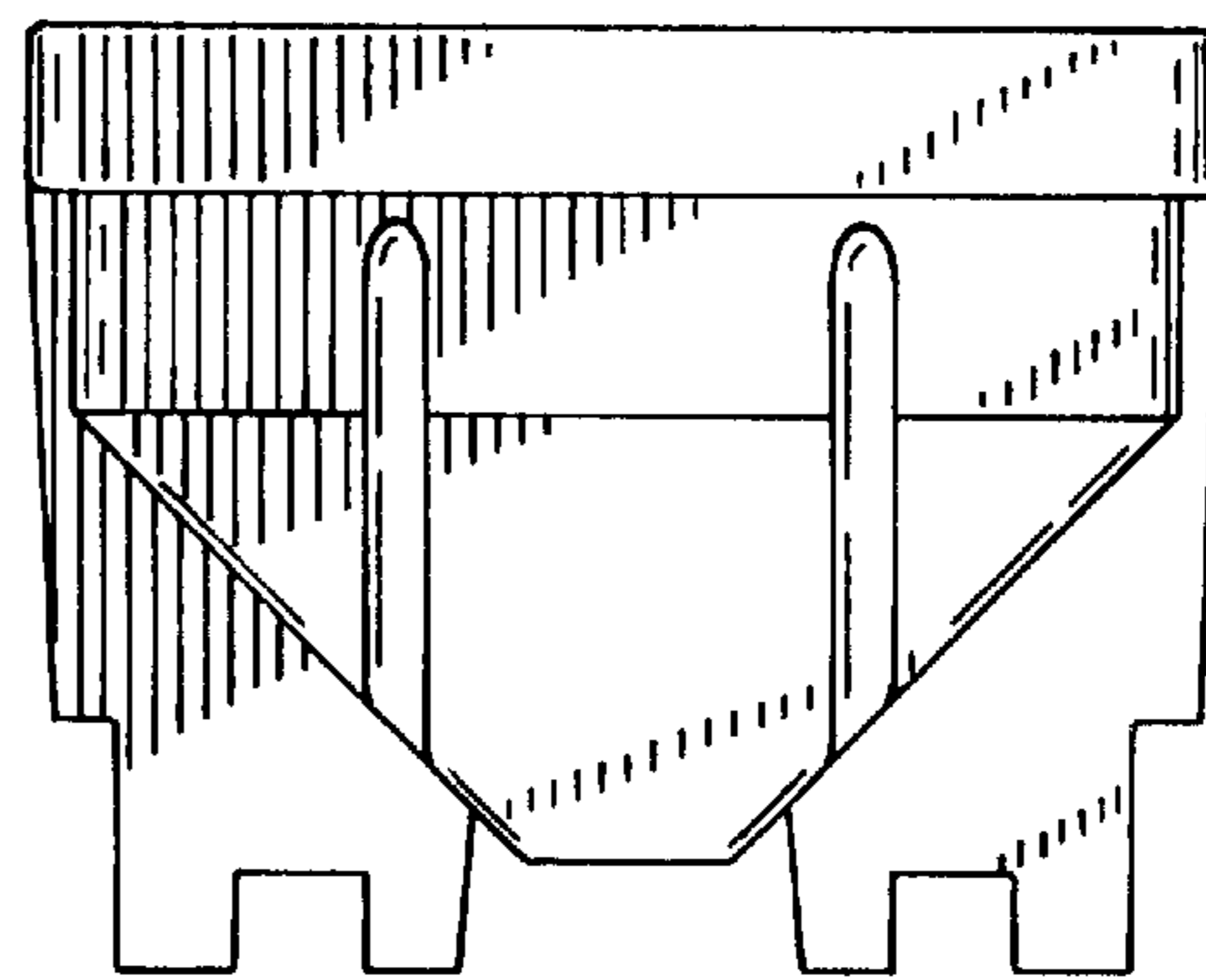


FIG. 11

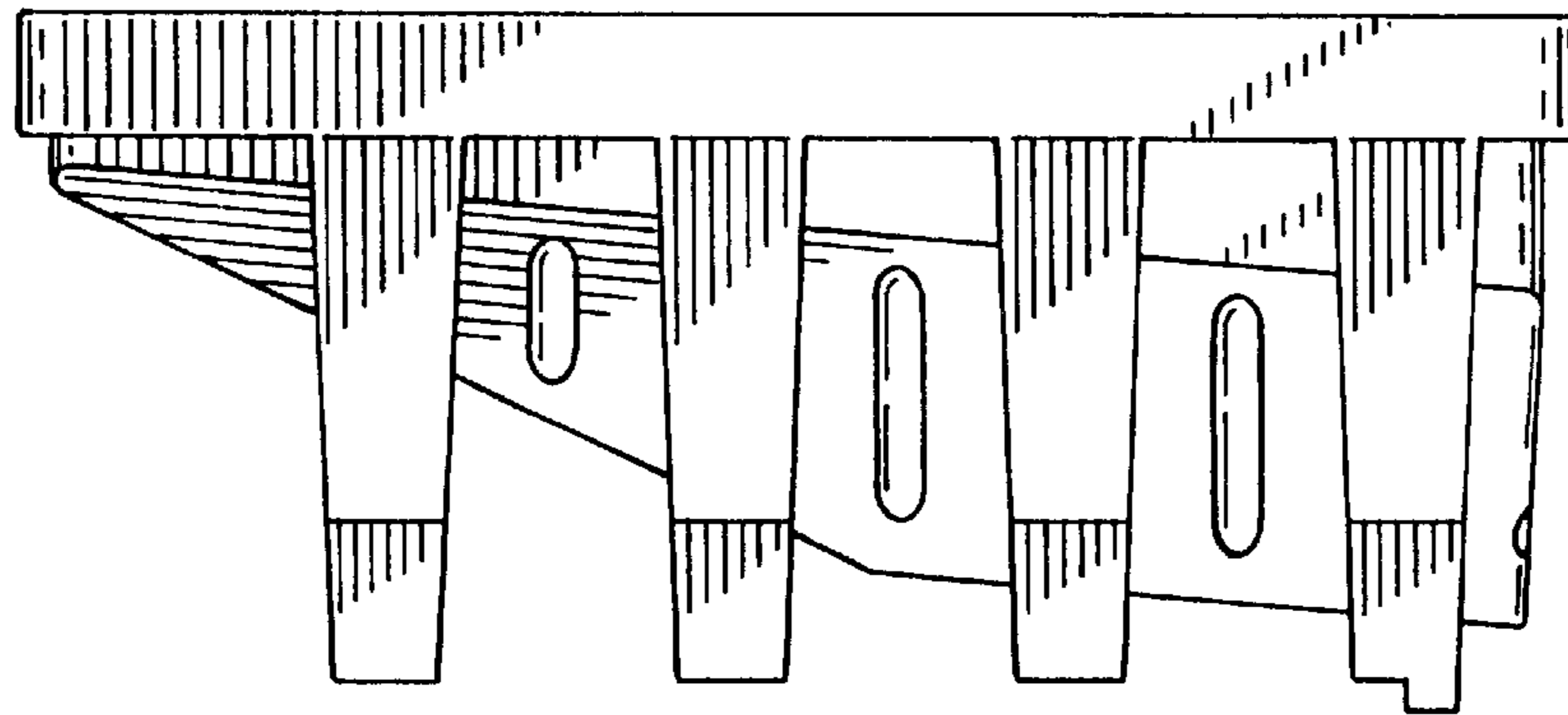


FIG. 12

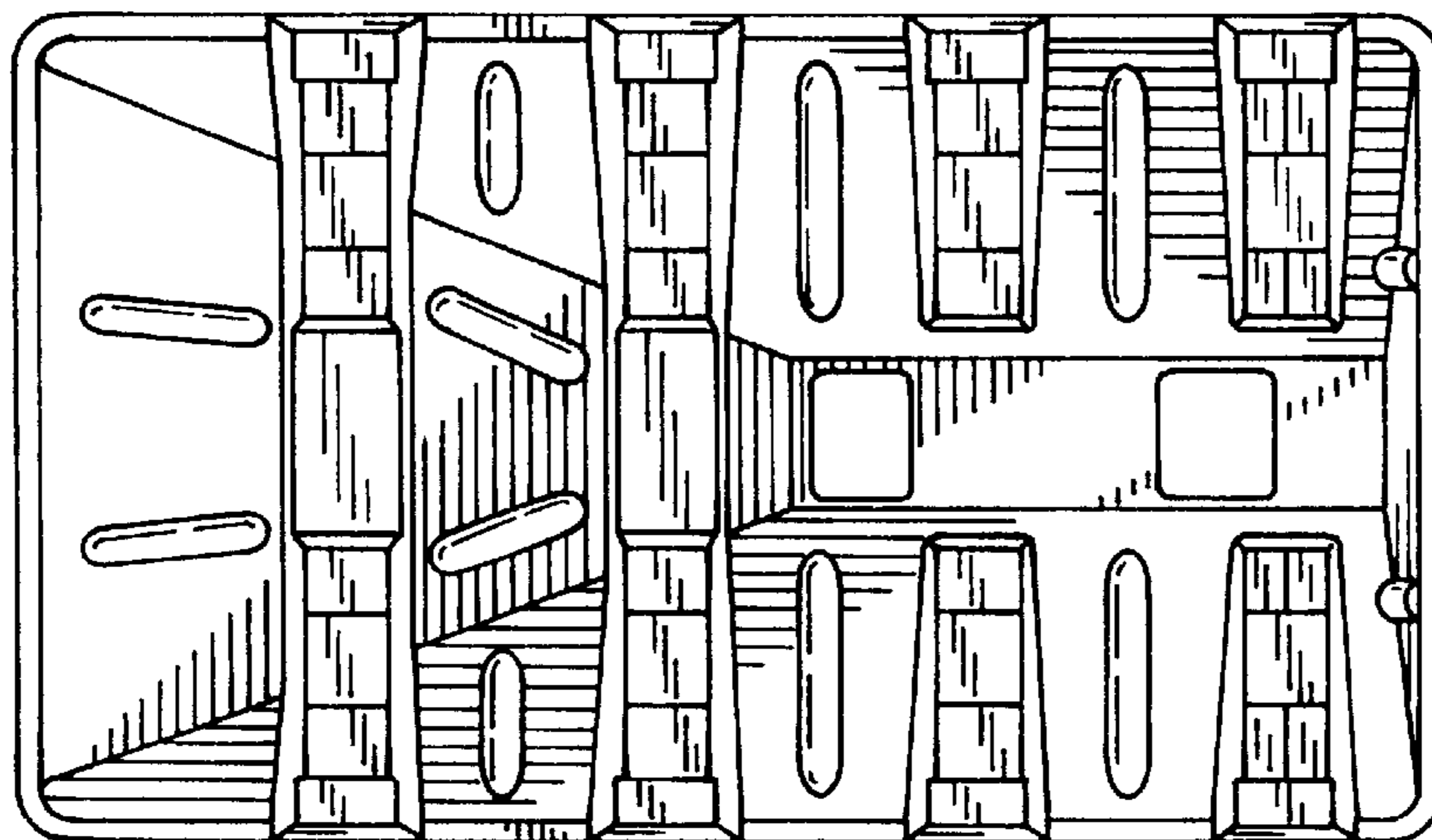


FIG. 13

UNITED STATES PATENT AND TRADEMARK OFFICE
CERTIFICATE OF CORRECTION

PATENT NO. : Des. 520,524 S
APPLICATION NO. : 29/221738
DATED : May 9, 2006
INVENTOR(S) : Philip Sandler et al.

Page 1 of 1

It is certified that error appears in the above-identified patent and that said Letters Patent is hereby corrected as shown below:

On title page, item (75) Inventors:
replace "Phillip Sandler"
with --Philip Sandler--.

Signed and Sealed this

Third Day of October, 2006

A handwritten signature in black ink on a dotted background. The signature reads "Jon W. Dudas" in a cursive style.

JON W. DUDAS

Director of the United States Patent and Trademark Office