



US00D520523S

(12) **United States Design Patent** (10) **Patent No.:** **US D520,523 S**
Bonfardeci et al. (45) **Date of Patent:** **** May 9, 2006**

(54) **PORTABLE DEVICE FOR TRANSFERRING FLUIDS**

(75) Inventors: **Anthony J. Bonfardeci**, Clinton, NY (US); **Paul Puleo**, Frankfort, NY (US)

(73) Assignee: **Motor Components LLC**, Elmira Heights, NY (US)

(**) **Term:** **14 Years**

(21) **Appl. No.:** **29/226,408**

(22) **Filed:** **Mar. 29, 2005**

(51) **LOC (8) Cl.** **15-02**

(52) **U.S. Cl.** **D15/9.1**

(58) **Field of Classification Search** D15/7, D15/9.1; D23/223, 227; 141/39, 392, 208, 141/209; 417/33, 234, 411; 222/505, 566

See application file for complete search history.

(56) **References Cited**

U.S. PATENT DOCUMENTS

1,711,193	A	4/1929	Wunderlich	
2,635,550	A	4/1953	Granberg	
2,800,931	A	* 7/1957	Sutcliffe	141/392
2,837,240	A	* 6/1958	Boone	222/43
3,015,281	A	1/1962	Umholtz	
3,282,380	A	11/1966	Burrell et al.	
3,653,413	A	4/1972	Sheyn	
4,004,862	A	1/1977	Hill	
D248,396	S	* 7/1978	Sendak	D15/7
4,174,743	A	11/1979	Beny et al.	
D263,618	S	* 3/1982	Taylor	D23/226
4,354,574	A	10/1982	Kieber	
4,456,149	A	6/1984	Sciortino	
4,872,816	A	10/1989	Fetcko	
5,044,469	A	9/1991	Liu	

5,230,374	A	7/1993	Dawson et al.	
5,252,033	A	* 10/1993	Lin	417/234
5,370,160	A	12/1994	Parker	
5,395,216	A	* 3/1995	Lin	417/234
5,435,413	A	7/1995	Schoenborn	
5,620,032	A	* 4/1997	Dame	141/311 A
5,901,880	A	5/1999	Clarke	
D420,364	S	* 2/2000	Fischer et al.	D15/9.1
6,132,178	A	* 10/2000	Carter	417/234
2002/0023691	A1	2/2002	Capstran	

* cited by examiner

Primary Examiner—Ralf Seifert

(74) *Attorney, Agent, or Firm*—Simpson & Simpson, PLLC

(57) **CLAIM**

The ornamental design for a portable device for transferring fluids, as described and shown in the various figures of the drawings.

DESCRIPTION

FIG. 1 is a perspective view of a housing of the present invention;

FIG. 2 is a left side elevational view of the housing of the present invention shown in FIG. 1;

FIG. 3 is a right side elevational view of the housing of the present invention shown in FIG. 1;

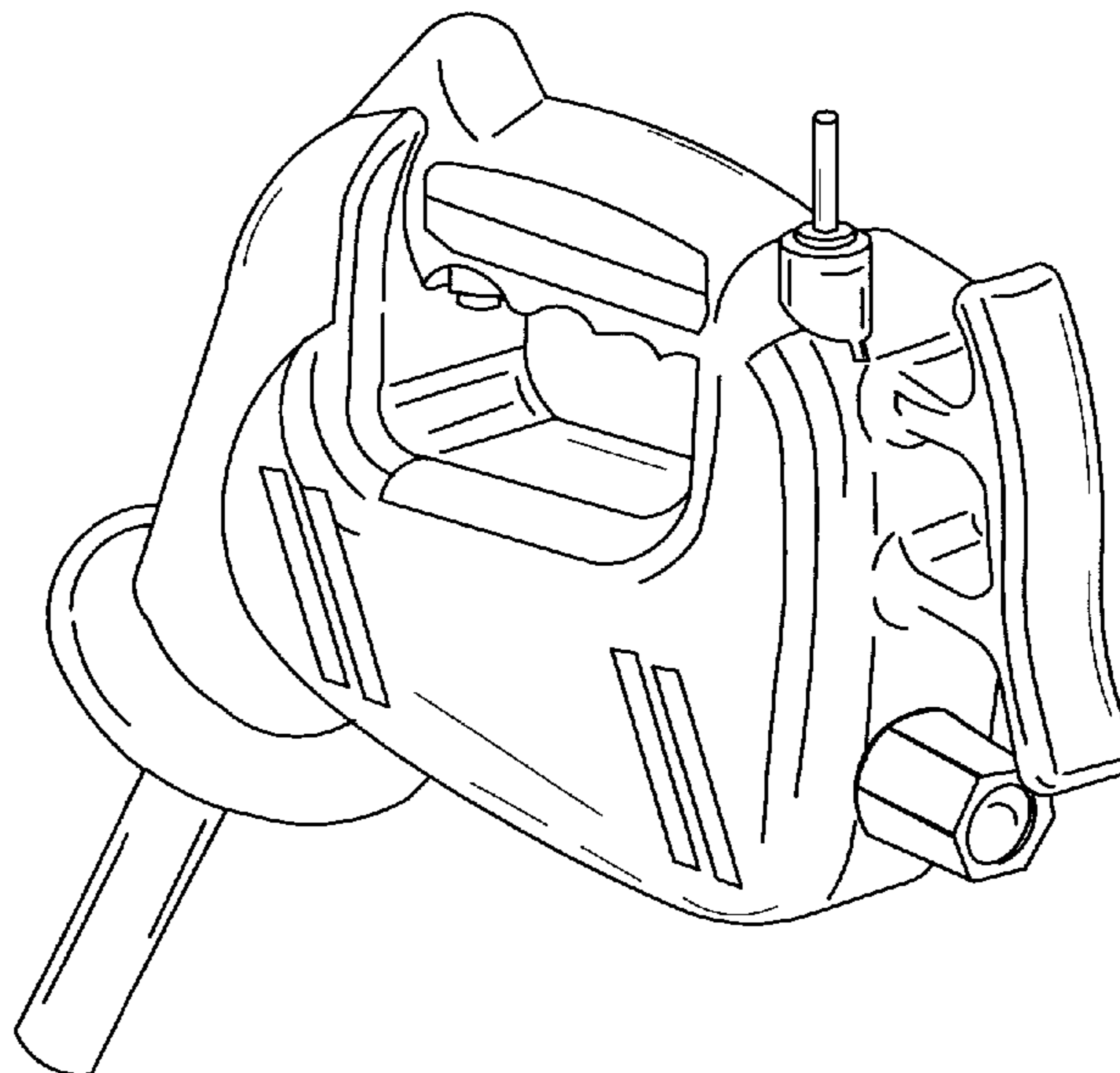
FIG. 4 is a front elevational view of the housing of the present invention shown in FIG. 1;

FIG. 5 is a bottom plan view of the housing of the present invention shown in FIG. 1;

FIG. 6 is an end elevational view of the housing of the present invention shown in FIG. 1; and,

FIG. 7 is a top plan view of the housing of the present invention shown in FIG. 1.

1 Claim, 7 Drawing Sheets



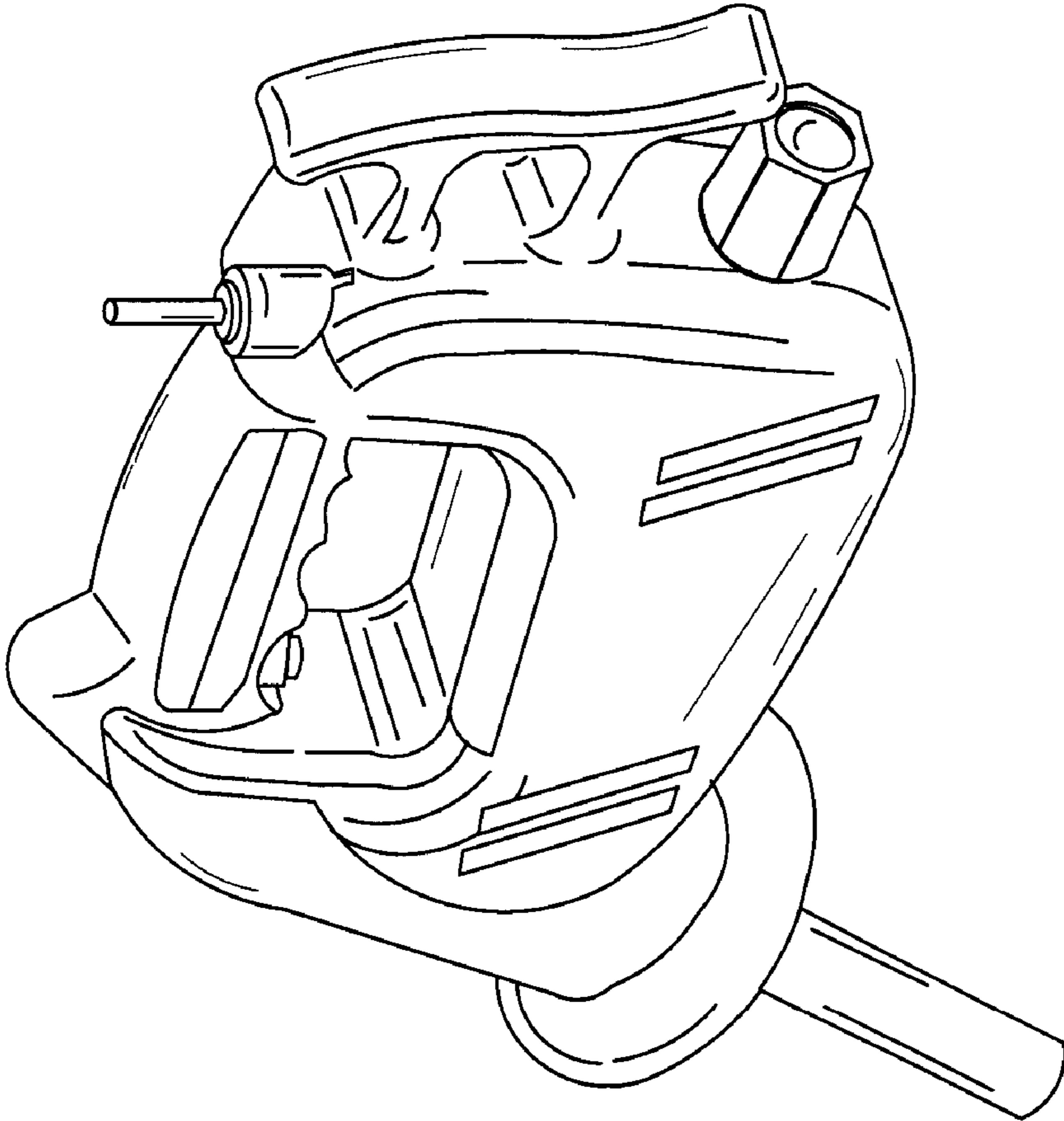


Fig. 1

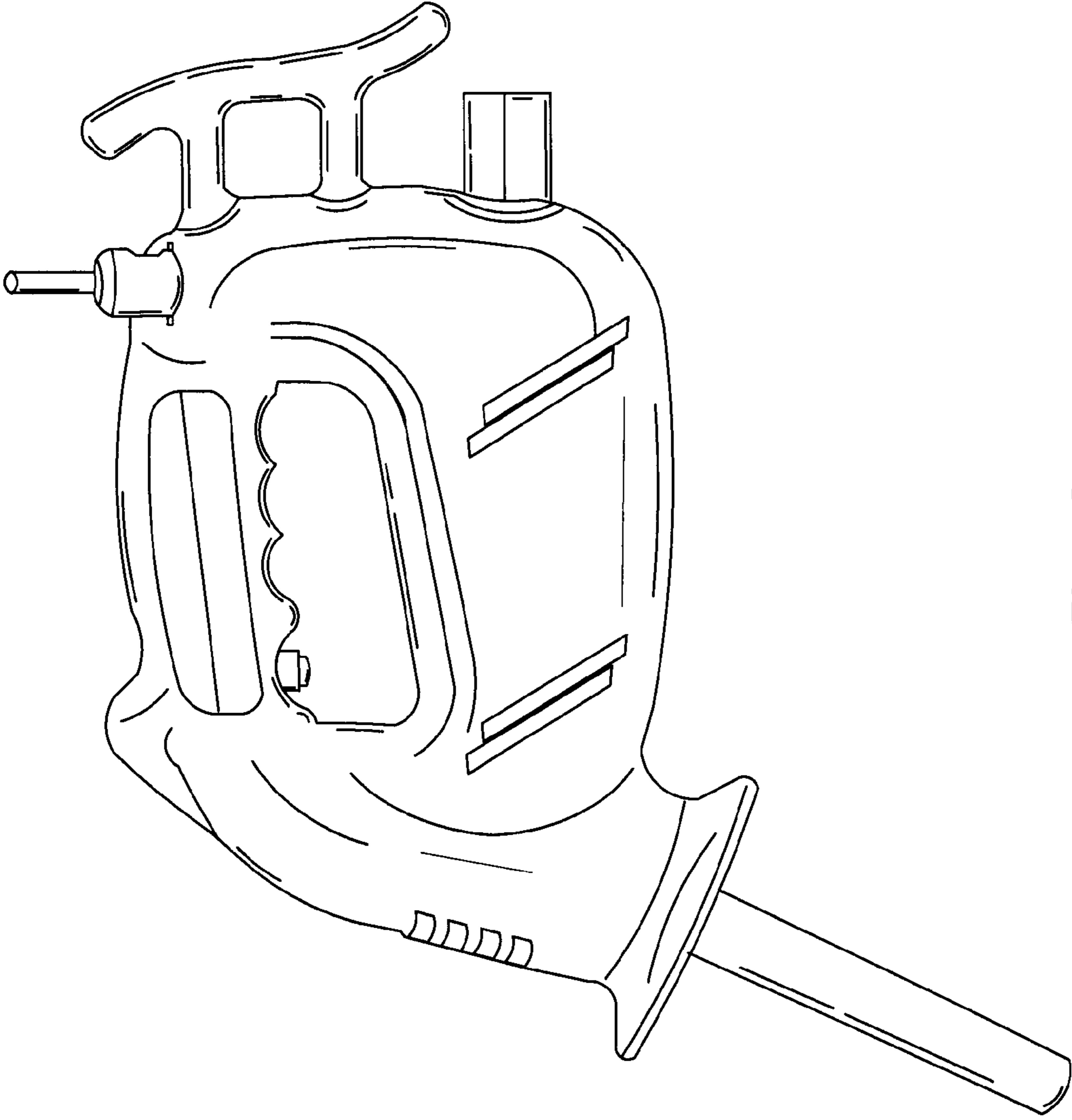


Fig. 2

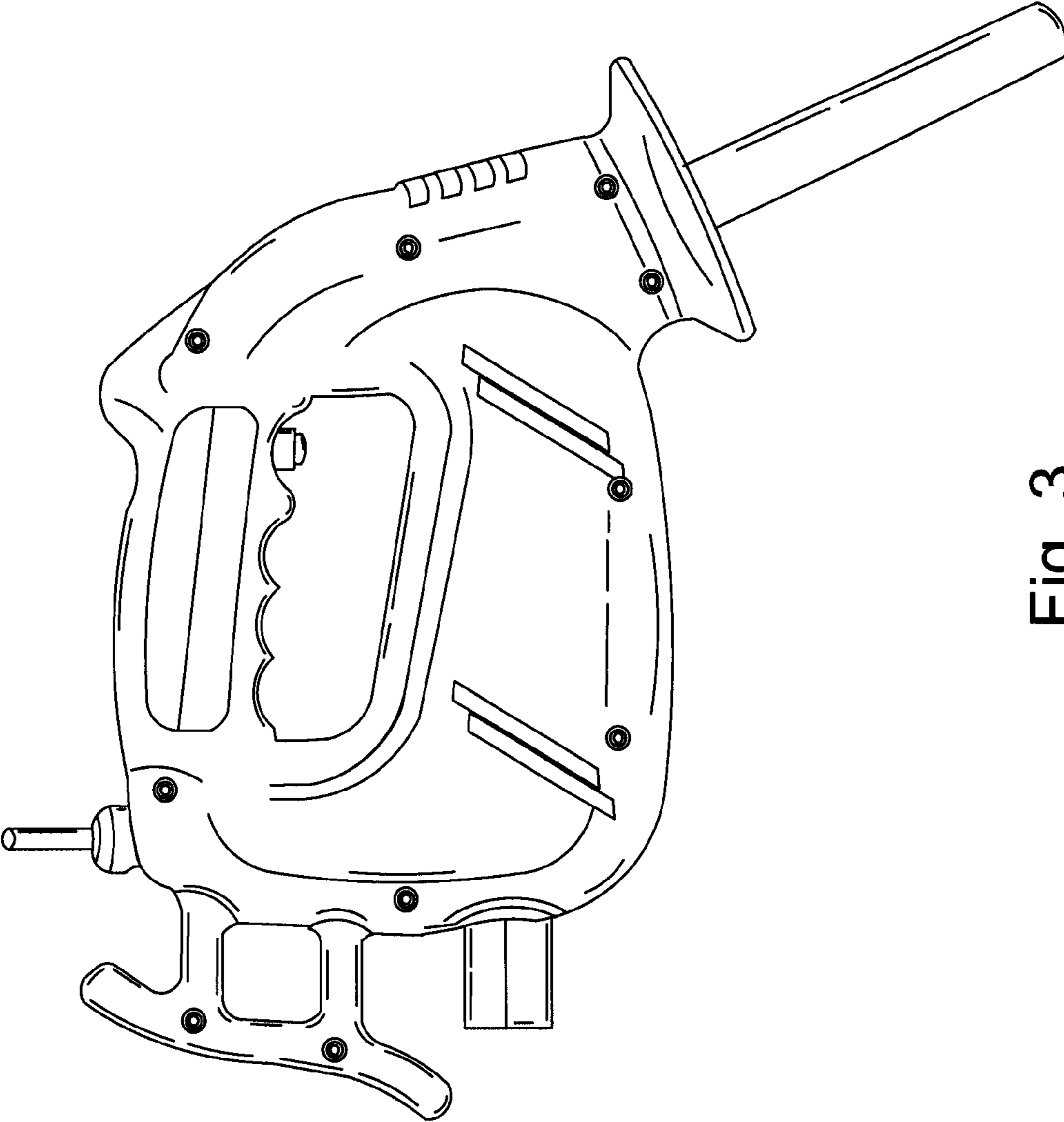


Fig. 3

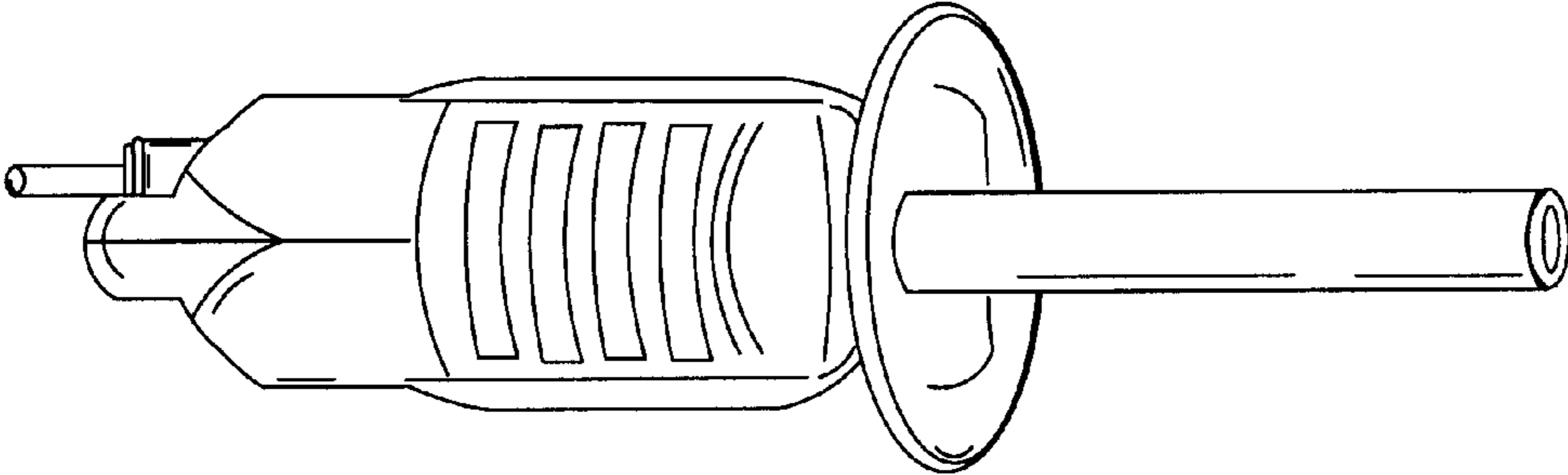


Fig. 4

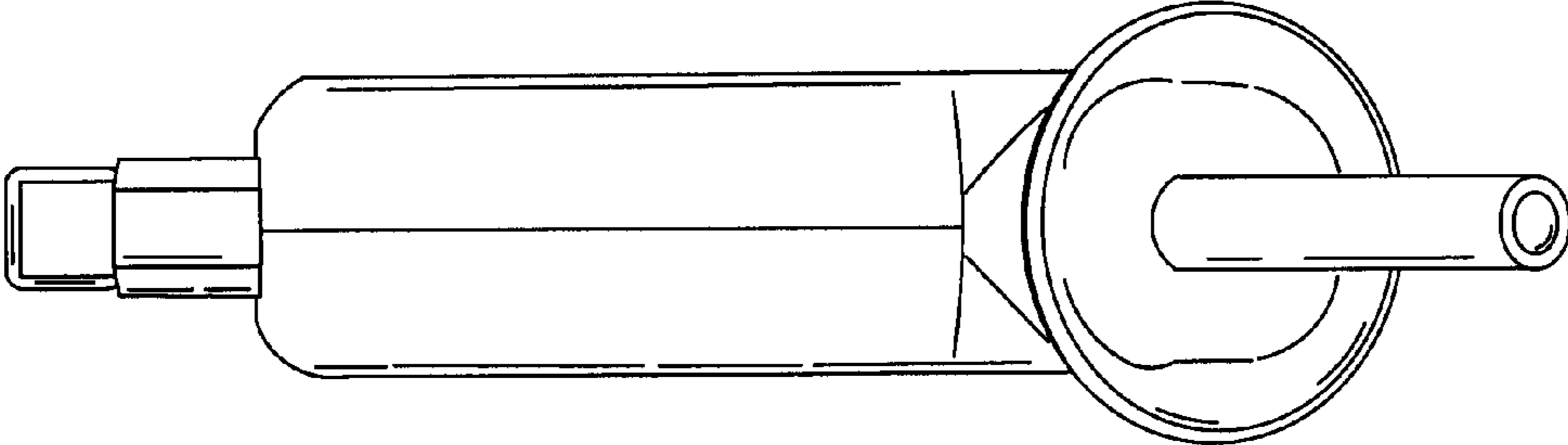


Fig. 5

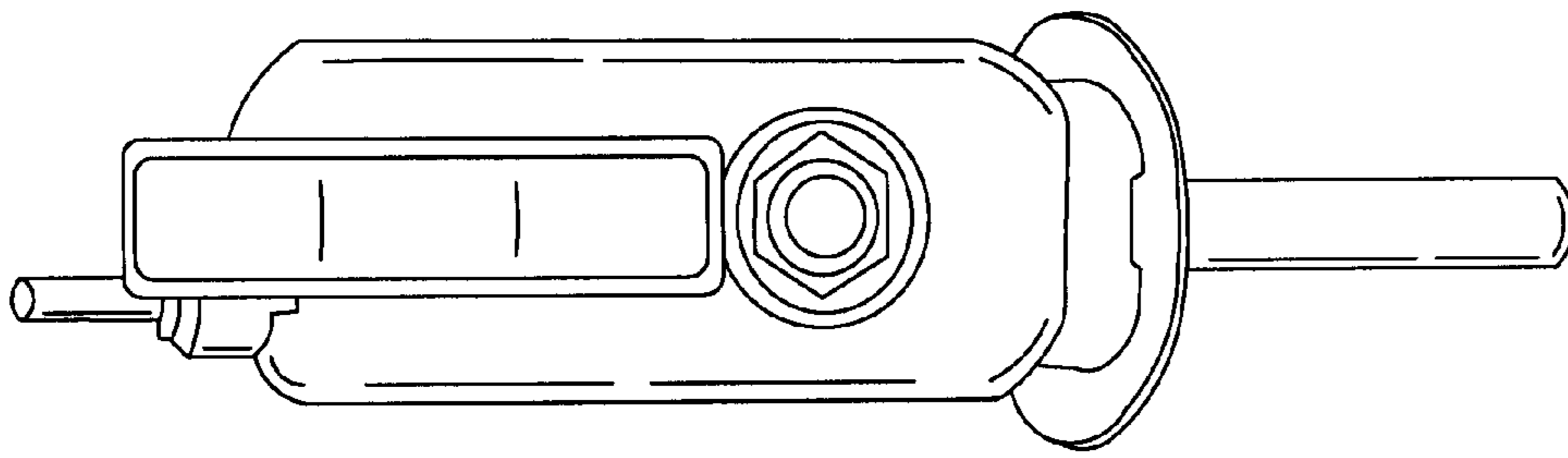


Fig. 6

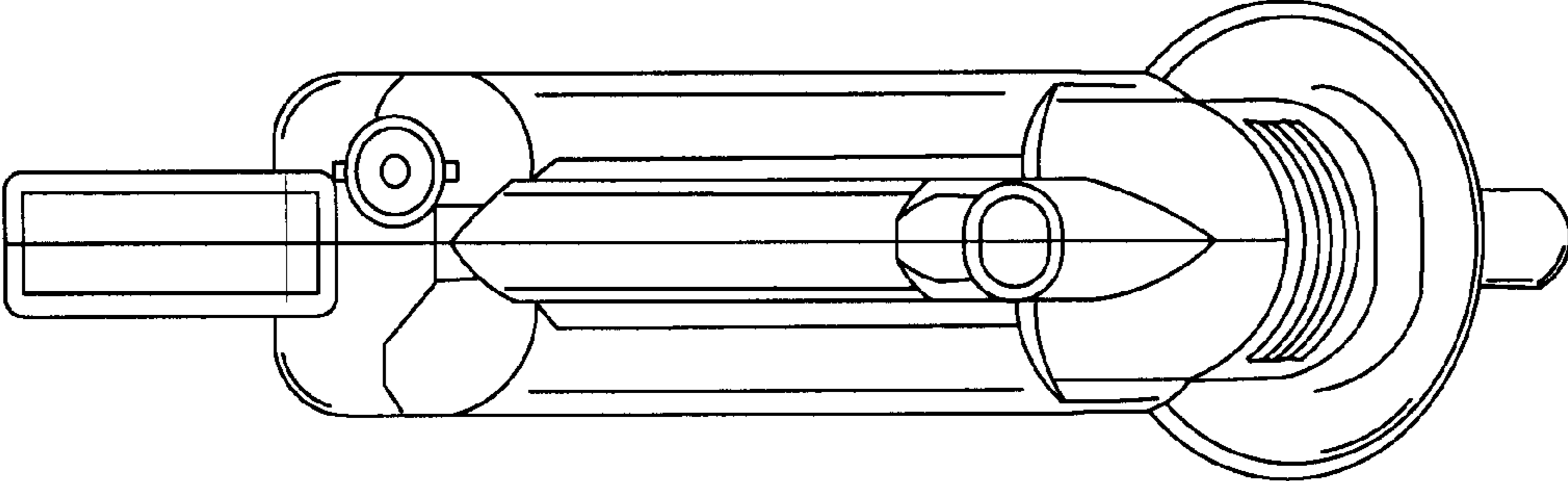


Fig. 7