

US00D520522S

(12) **United States Design Patent**
Bakker et al.

(10) **Patent No.:** **US D520,522 S**

(45) **Date of Patent:** **** May 9, 2006**

(54) **HAND PUMP**

D499,743 S * 12/2004 Hulks et al. D15/7

(75) Inventors: **Travis Bakker**, Mantorville, MN (US);
Michael Terrance Landrum, Rockford, IL (US)

* cited by examiner

Primary Examiner—Ralf Seifert

(74) *Attorney, Agent, or Firm*—Baker & Hostetler LLP

(73) Assignee: **SPX Corporation**, Charlotte, NC (US)

(57) **CLAIM**

(**) Term: **14 Years**

The ornamental design for a hand pump, as shown and described.

(21) Appl. No.: **29/216,087**

DESCRIPTION

(22) Filed: **Oct. 29, 2004**

FIG. 1 is a perspective view of the hand pump, particularly showing the inventive design thereof;

(51) **LOC (8) Cl.** **15-02**

FIG. 2 is a rear perspective view of the hand pump, particularly showing the inventive design thereof;

(52) **U.S. Cl.** **D15/7**

FIG. 3 is a left side view thereof;

(58) **Field of Classification Search** D15/7-9;

D23/231, 232; 417/359, 415-416, 410.3,

417/234, 321, 265, 405

FIG. 4 is a right side view thereof;

FIG. 5 is a rear view thereof;

FIG. 6 is a front view thereof;

FIG. 7 is a top view thereof; and,

FIG. 8 is a bottom view thereof.

See application file for complete search history.

It being understood that the broken lines are for illustrative purposes only and form no part of the claimed design.

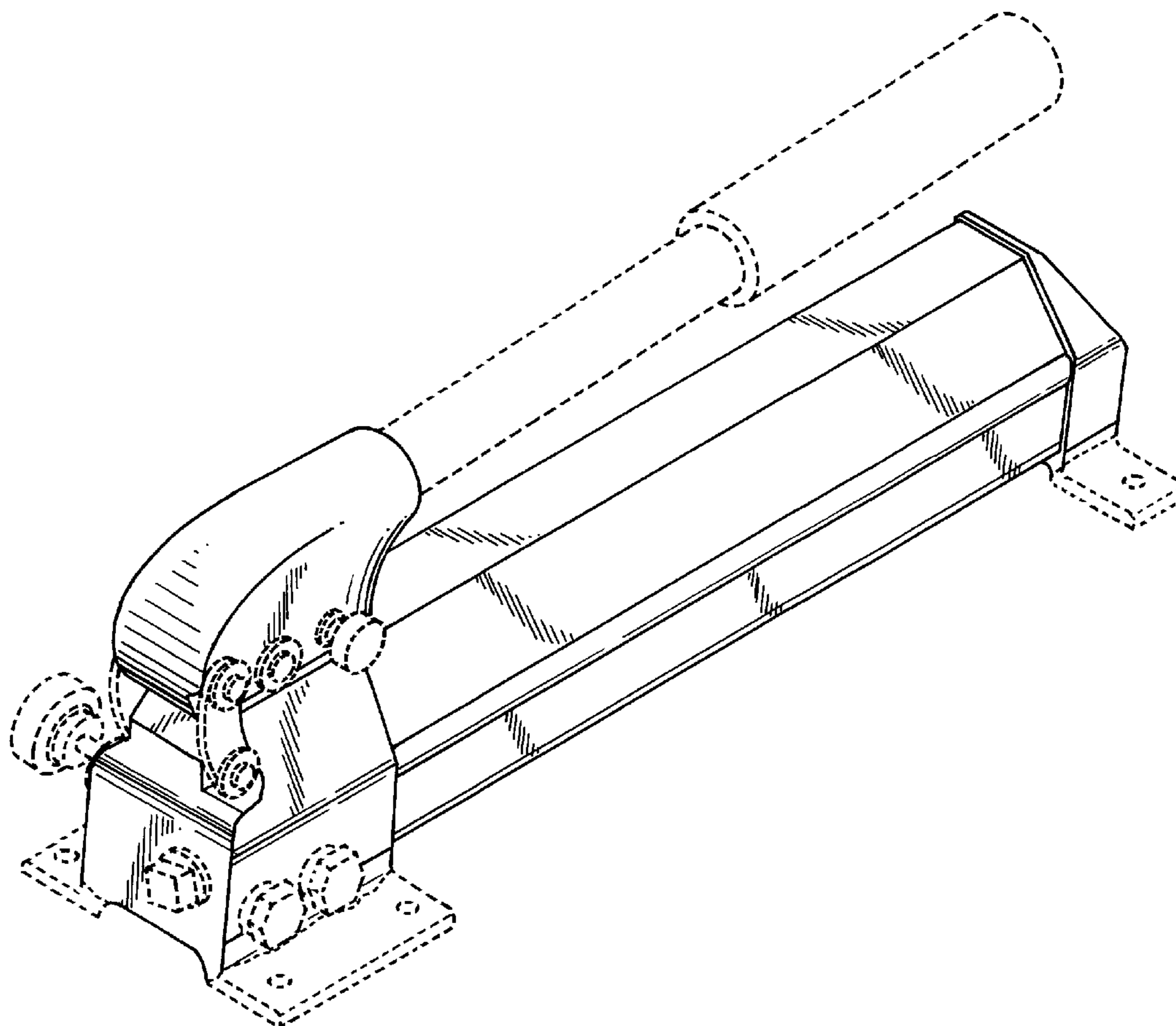
(56) **References Cited**

U.S. PATENT DOCUMENTS

D270,912 S * 10/1983 Sessody D15/7

D463,452 S * 9/2002 Soderqvist D15/7

1 Claim, 8 Drawing Sheets



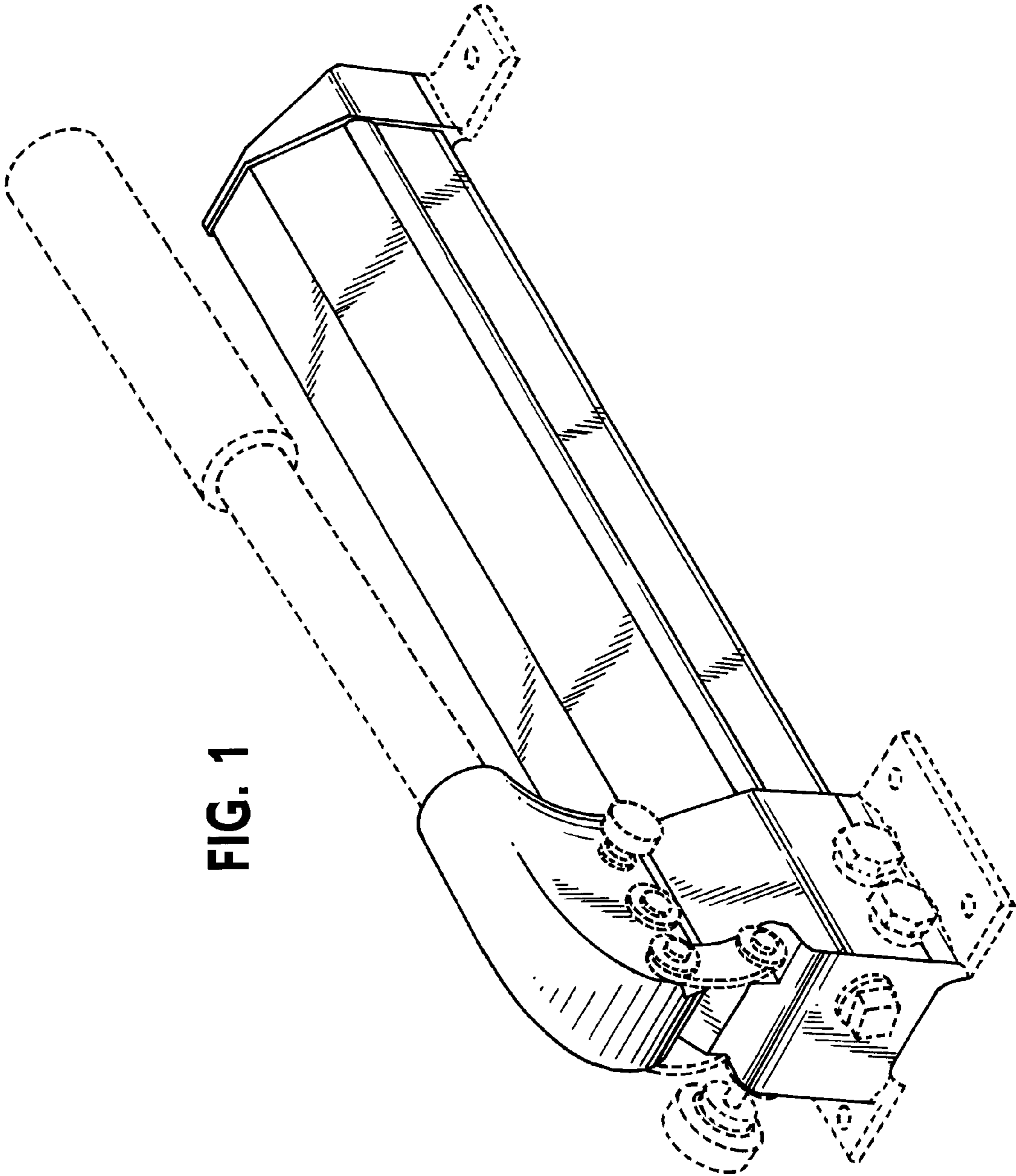


FIG. 1

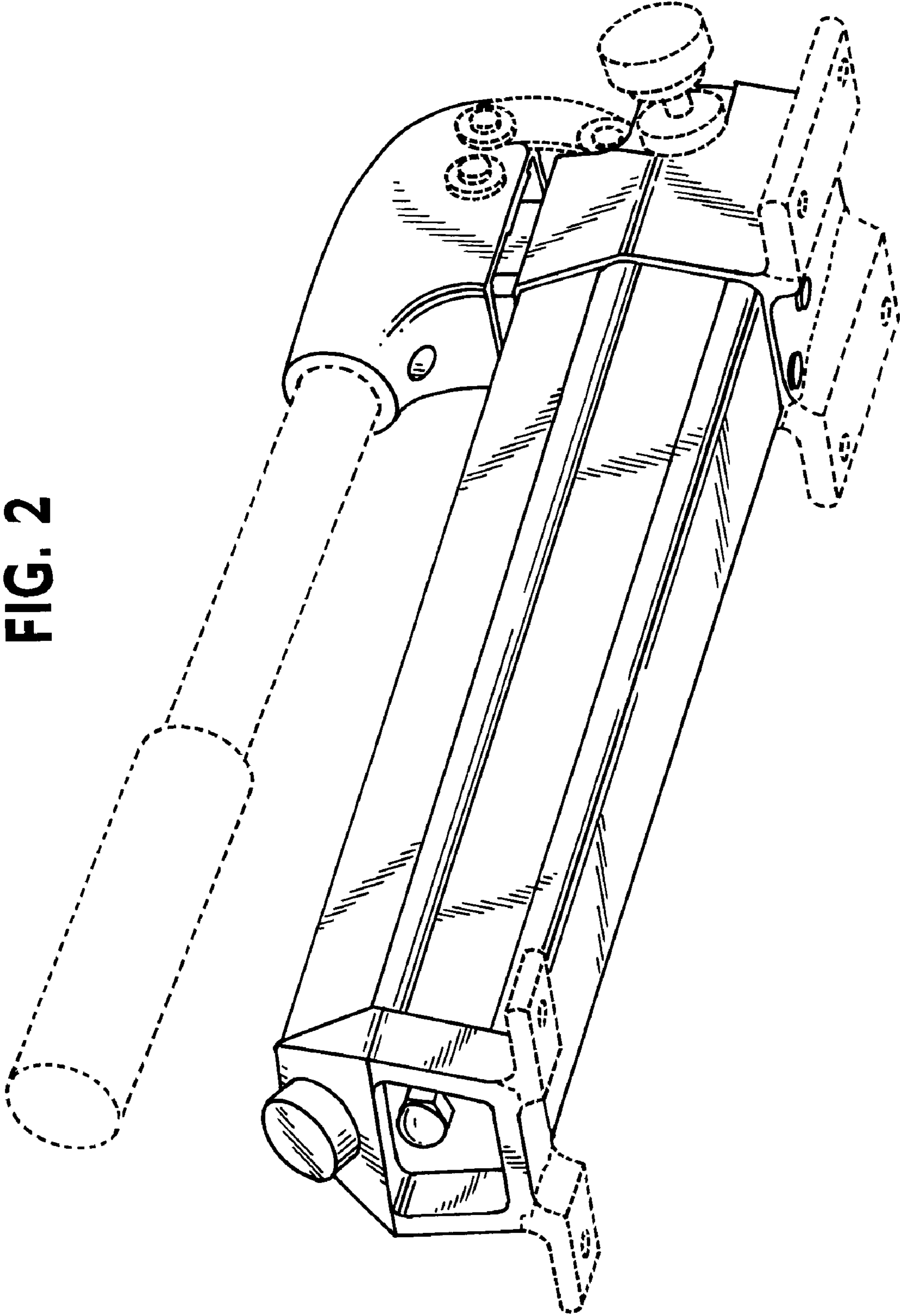


FIG. 2

FIG. 3

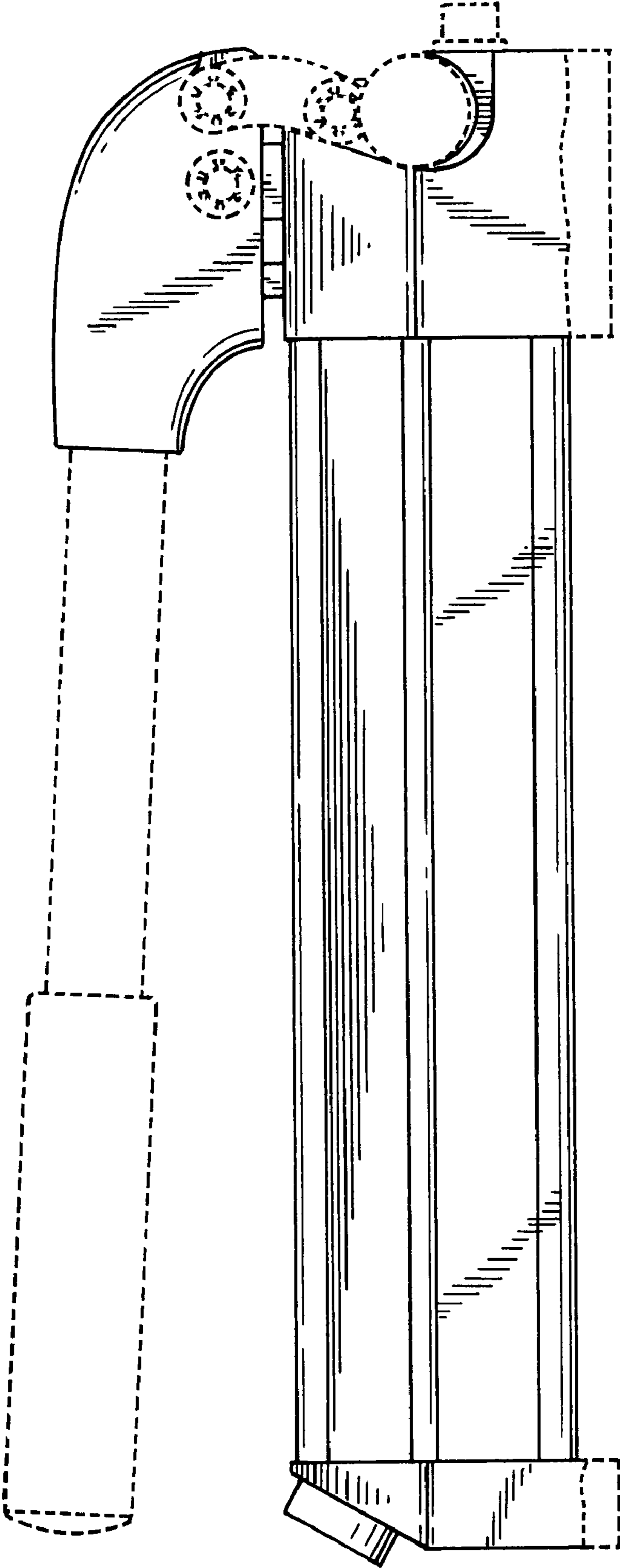


FIG. 4

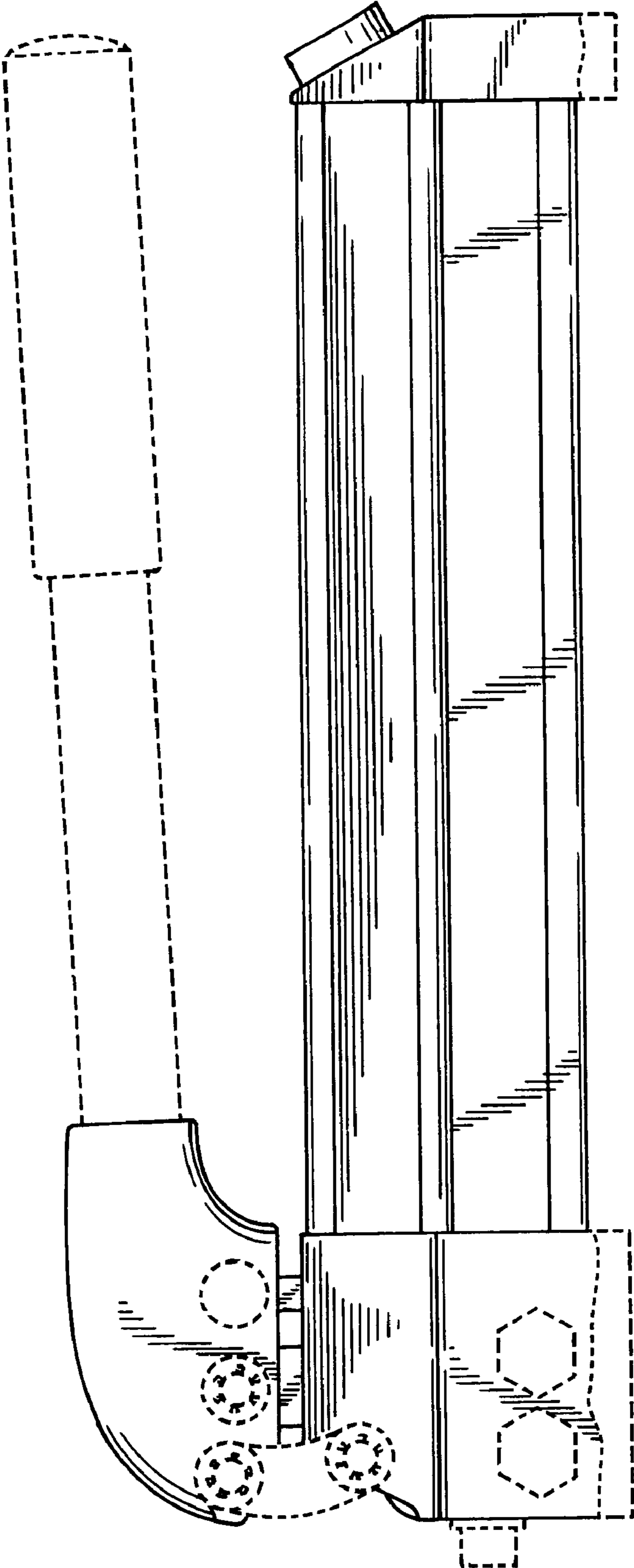


FIG. 5

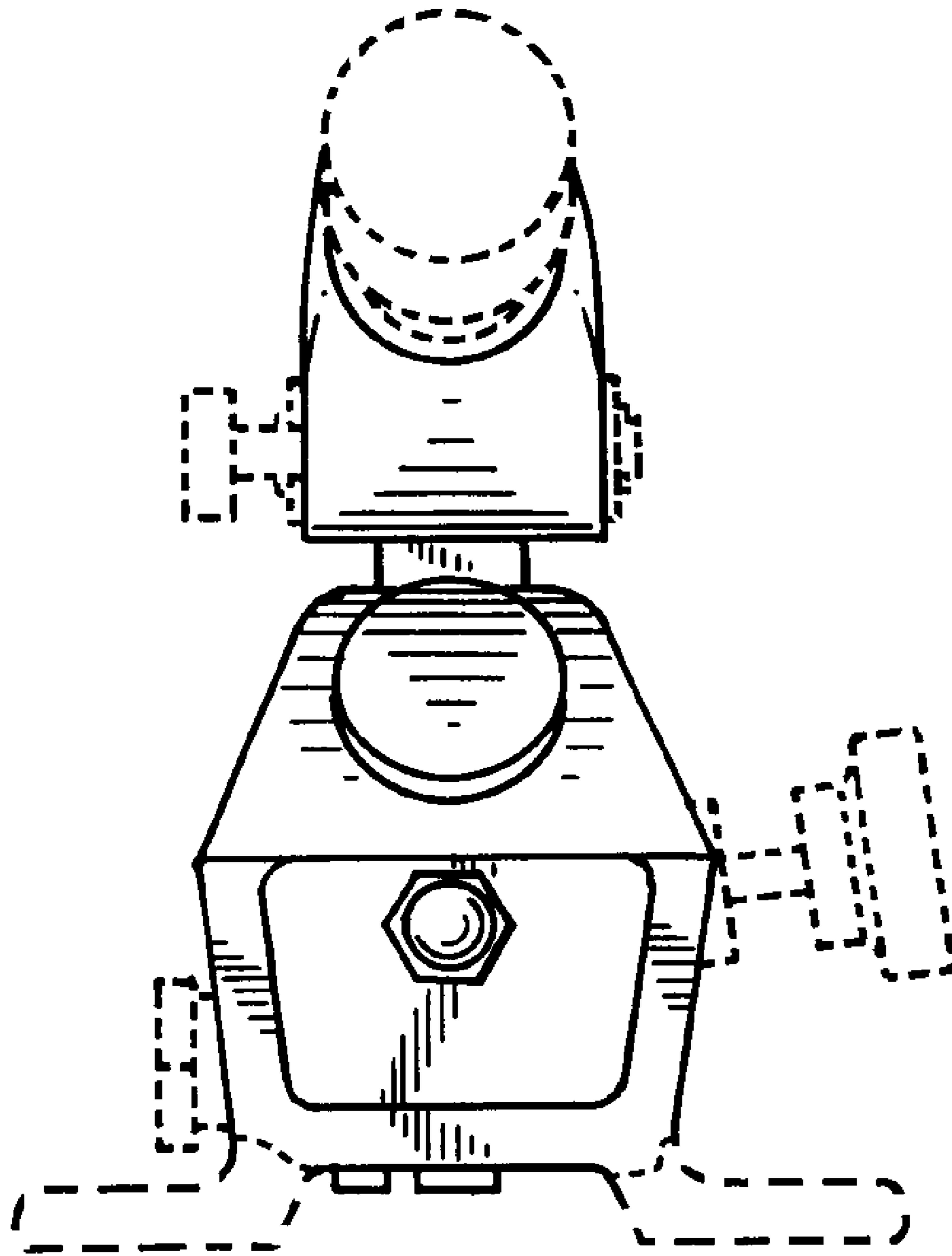
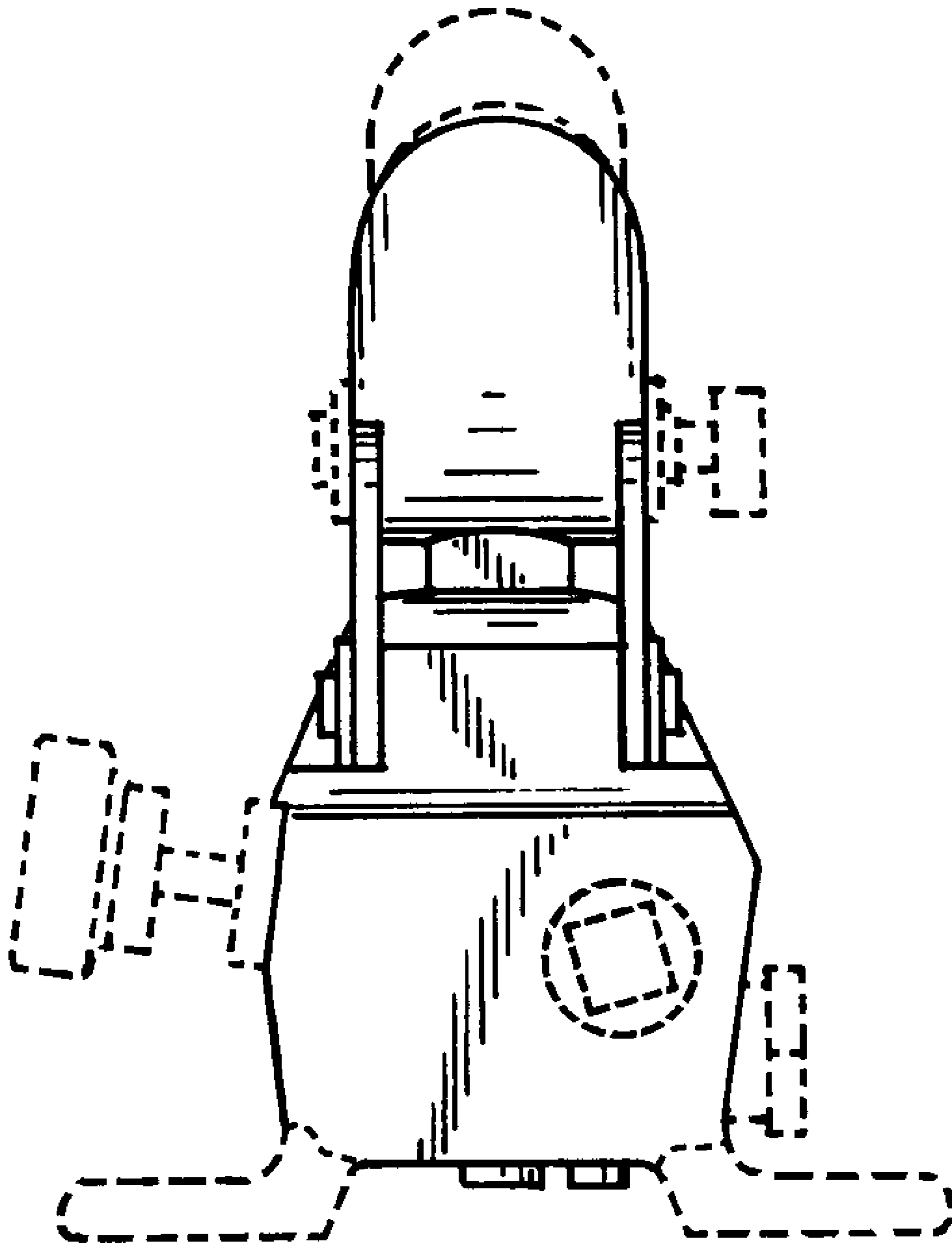


FIG. 6



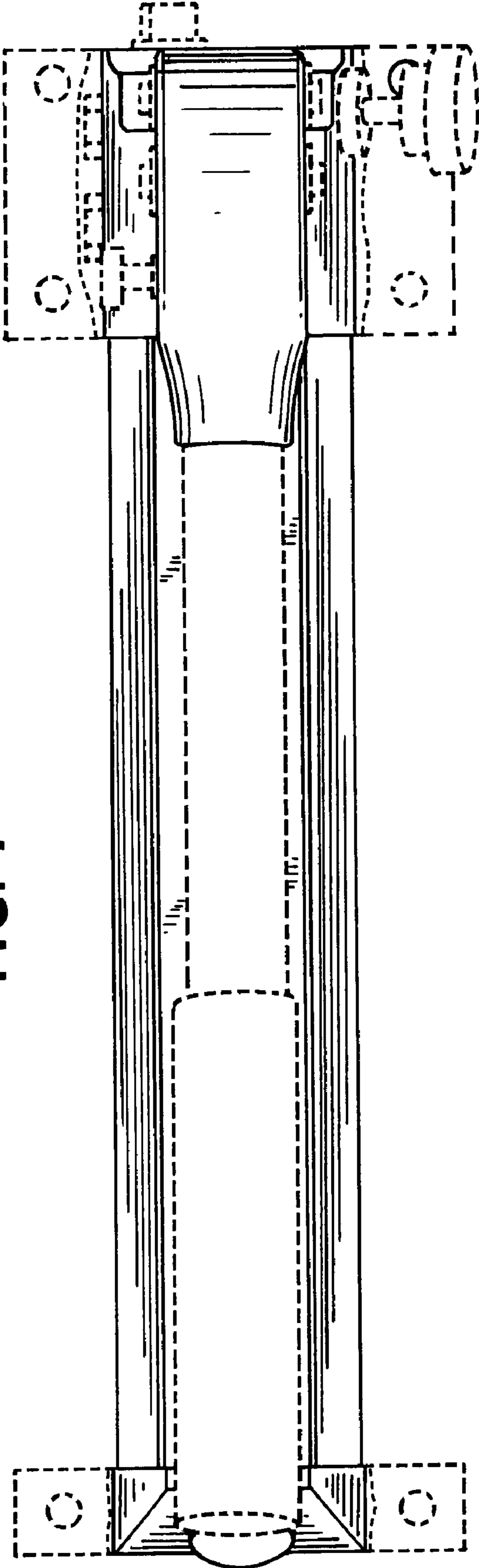


FIG. 7

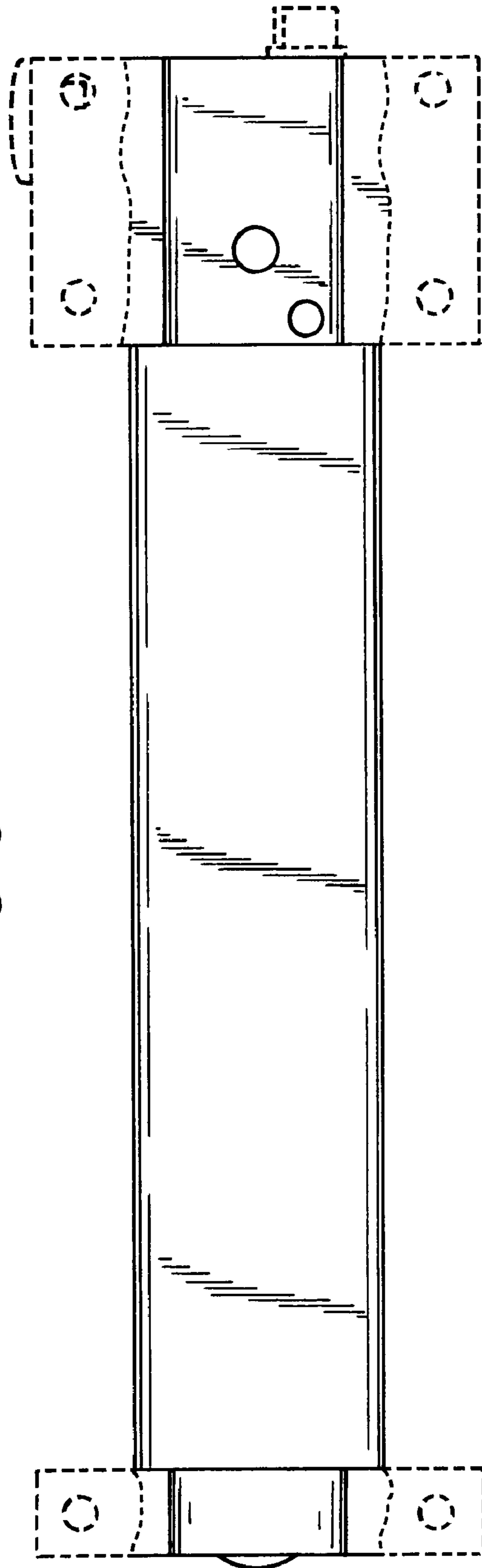


FIG. 8