



US00D520521S

(12) **United States Design Patent**  
**Angeletta**

(10) **Patent No.:** **US D520,521 S**

(45) **Date of Patent:** **\*\* May 9, 2006**

(54) **BATTERY-POWERED PRESSURE PUMP FOR LIQUID AND LOTION APPLICATORS**

(76) Inventor: **Joseph G. Angeletta**, 418 Fifth St., Mamaroneck, NY (US) 10543

(\*\*) Term: **14 Years**

(21) Appl. No.: **29/187,886**

(22) Filed: **Aug. 8, 2003**

(51) **LOC (8) Cl.** ..... **15-02**

(52) **U.S. Cl.** ..... **D15/7**

(58) **Field of Classification Search** ..... D15/7-9;  
417/321, 410, 413.1, 415, 423.3, 486, 521,  
417/534; 415/148; D9/447, 682; 222/321.9,  
222/162

See application file for complete search history.

(56) **References Cited**

U.S. PATENT DOCUMENTS

|           |   |   |         |                    |       |           |
|-----------|---|---|---------|--------------------|-------|-----------|
| D156,676  | S | * | 12/1949 | Skidmore           | ..... | D9/688    |
| 2,573,375 | A | * | 10/1951 | Winstead           | ..... | 206/225   |
| D304,970  | S | * | 12/1989 | Gibb               | ..... | D23/231   |
| 4,961,521 | A | * | 10/1990 | Eckman             | ..... | 222/142.5 |
| D324,868  | S | * | 3/1992  | Jacobs             | ..... | D15/7     |
| D345,420  | S | * | 3/1994  | Stewart, Sr.       | ..... | D24/143   |
| D355,199  | S | * | 2/1995  | Ousey              | ..... | D15/7     |
| D371,371  | S | * | 7/1996  | Hammond            | ..... | D15/7     |
| D376,900  | S | * | 12/1996 | Seydel et al.      | ..... | D2/968    |
| D389,964  | S | * | 1/1998  | Lewandowski et al. | ..... | D32/35    |
| 6,050,459 | A | * | 4/2000  | Johnson et al.     | ..... | 222/382   |
| D461,827  | S | * | 8/2002  | Koebbe             | ..... | D15/7     |
| D488,168  | S | * | 4/2004  | Simmons et al.     | ..... | D15/7     |

\* cited by examiner

Primary Examiner—Ralf Seifert

(74) *Attorney, Agent, or Firm*—Scully, Scott, Murphy & Presser

(57) **CLAIM**

The ornamental design for a battery-powered pressure pump for liquid and lotion applicators, as shown and design.

**DESCRIPTION**

FIG. 1 illustrates a side perspective view of a battery-powered pressure pump for liquid and lotion applicators showing my new design;

FIG. 2 illustrates a side perspective view of a battery-powered pressure pump for liquid and lotion applicators showing a second embodiment of my new design;

FIG. 3 illustrates a top end view for both of the embodiments of FIGS. 1 and 2;

FIG. 4 illustrates a bottom plan view of both embodiments of FIGS. 1 and 2;

FIG. 5 illustrates, on an enlarged scale, a longitudinal sectional view of the embodiment of FIG. 1;

FIG. 6 illustrates a longitudinal exploded side view of FIG. 1;

FIG. 7 illustrates a perspective fragmentary view of the bottom end portion of FIG. 6;

FIG. 8 illustrates an exploded perspective longitudinal view of the components of FIG. 2;

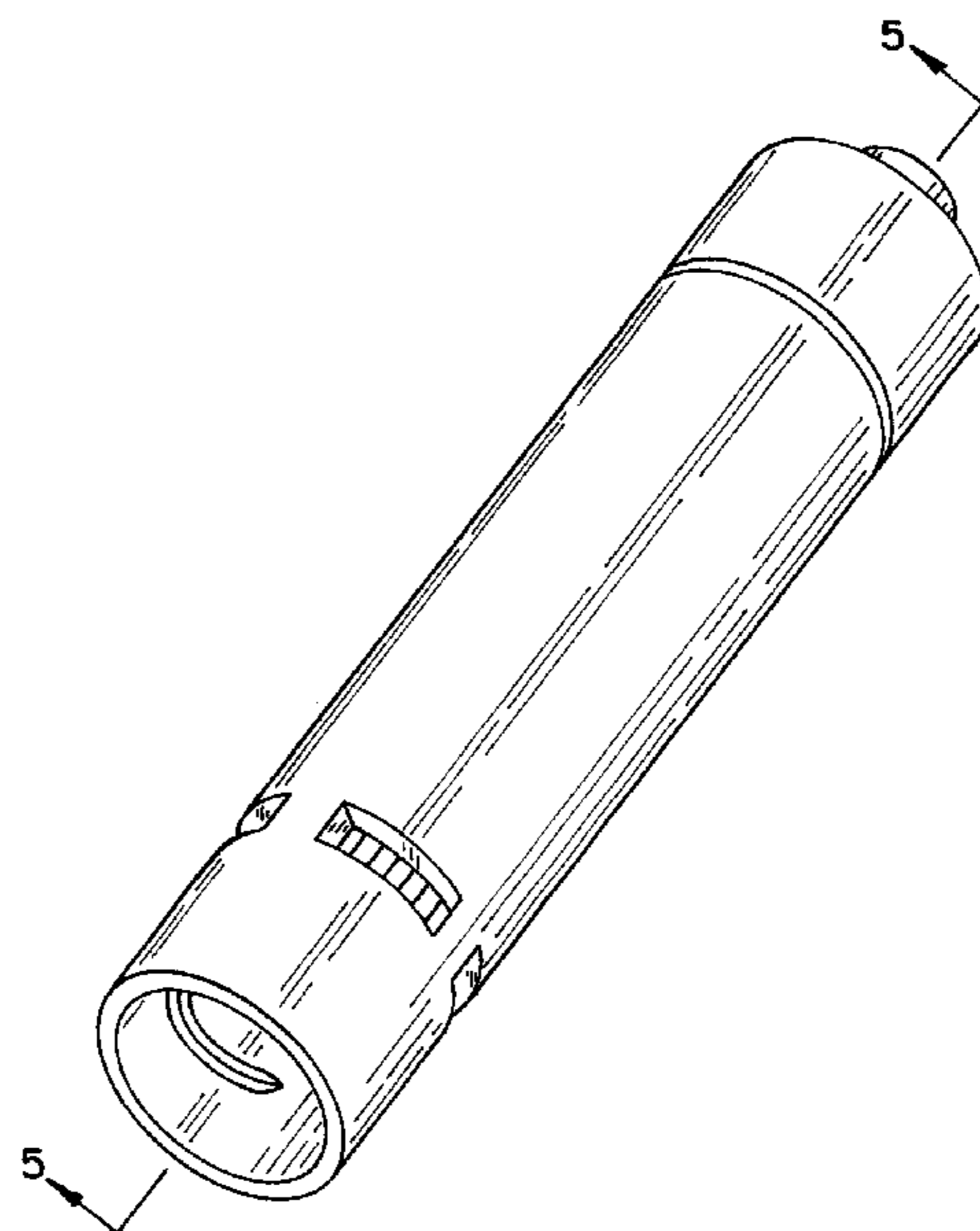
FIG. 9 illustrates an exploded perspective view illustrating the casing components of FIG. 6;

FIG. 10 is a detailed perspective view showing the battery of FIG. 6; and,

FIG. 11 is a detailed perspective view showing the cap portion of FIG. 6.

The casing portions of the embodiments of FIGS. 1 and 2 may be constituted of either an opaque, transparent or translucent material.

**1 Claim, 5 Drawing Sheets**



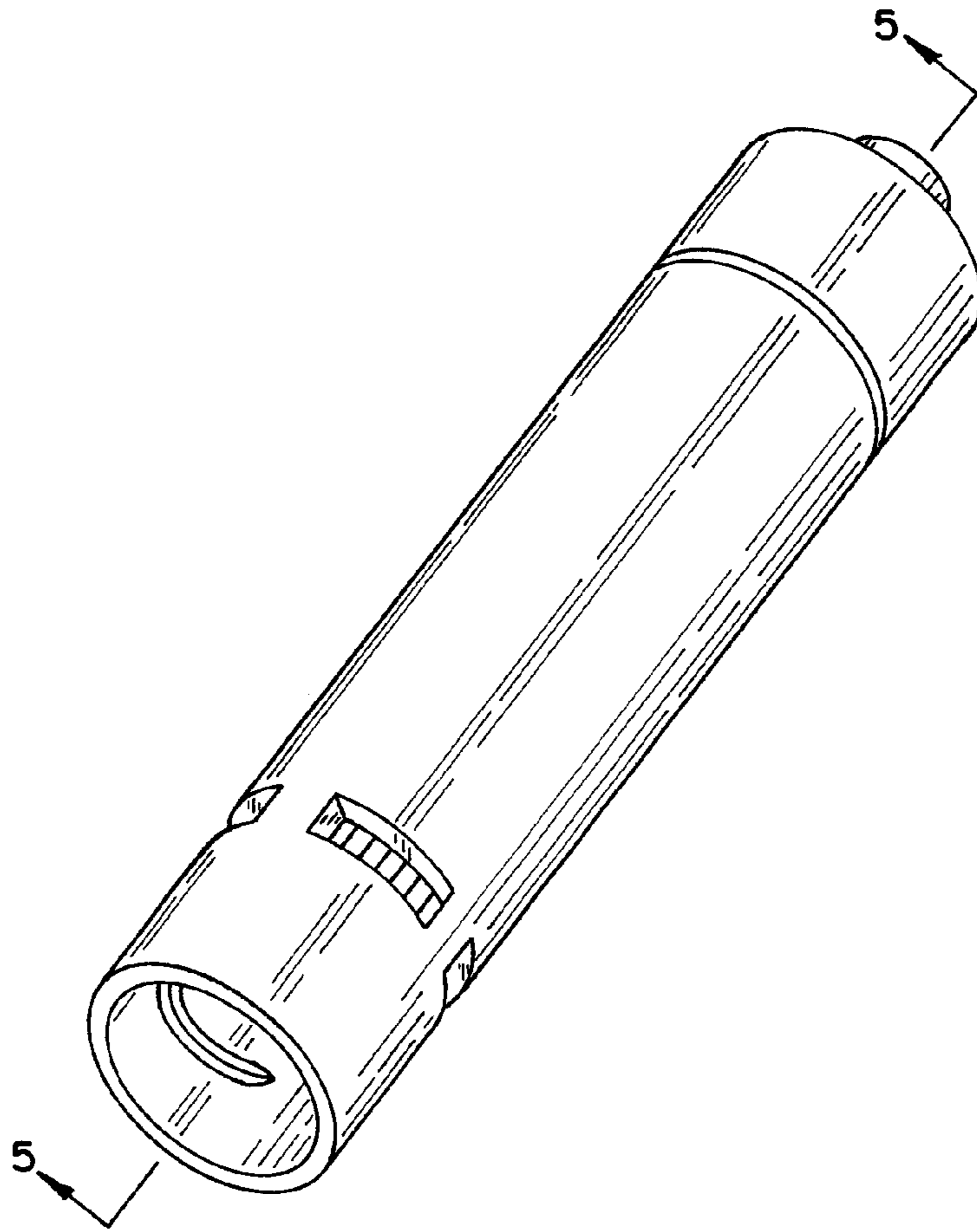


FIG. 1

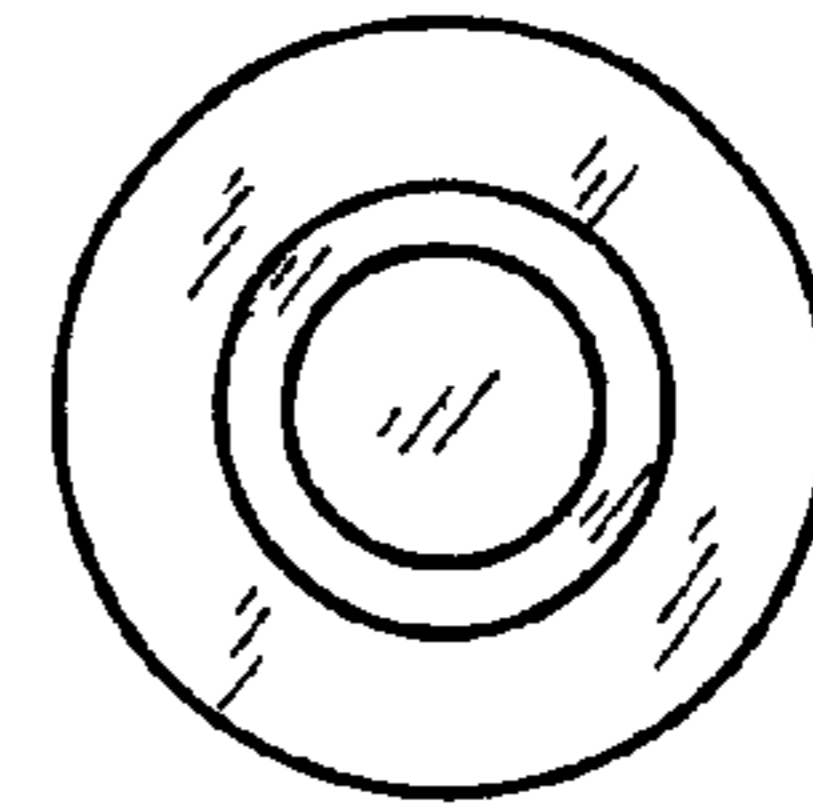


FIG. 3

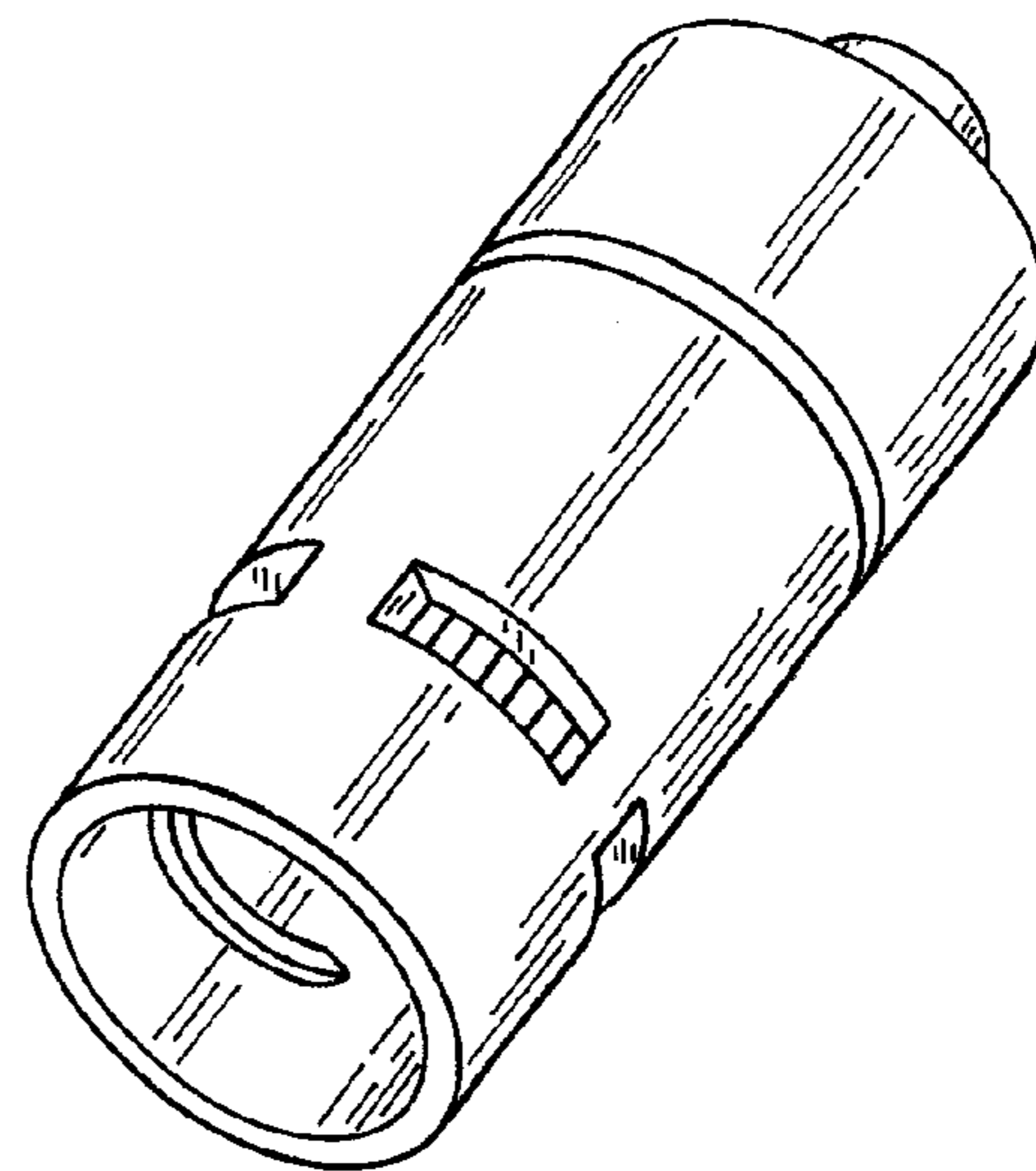


FIG. 2

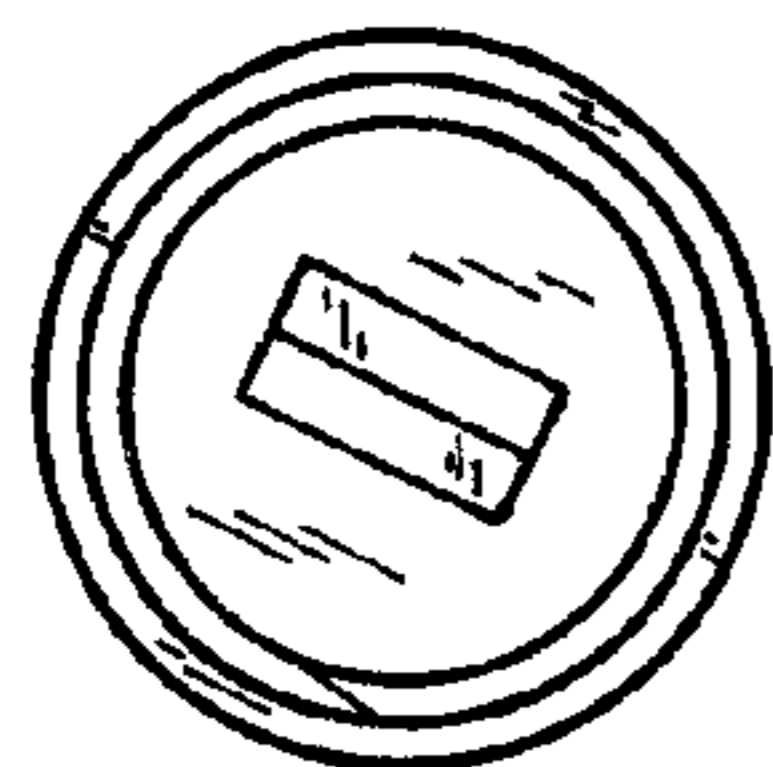


FIG. 4

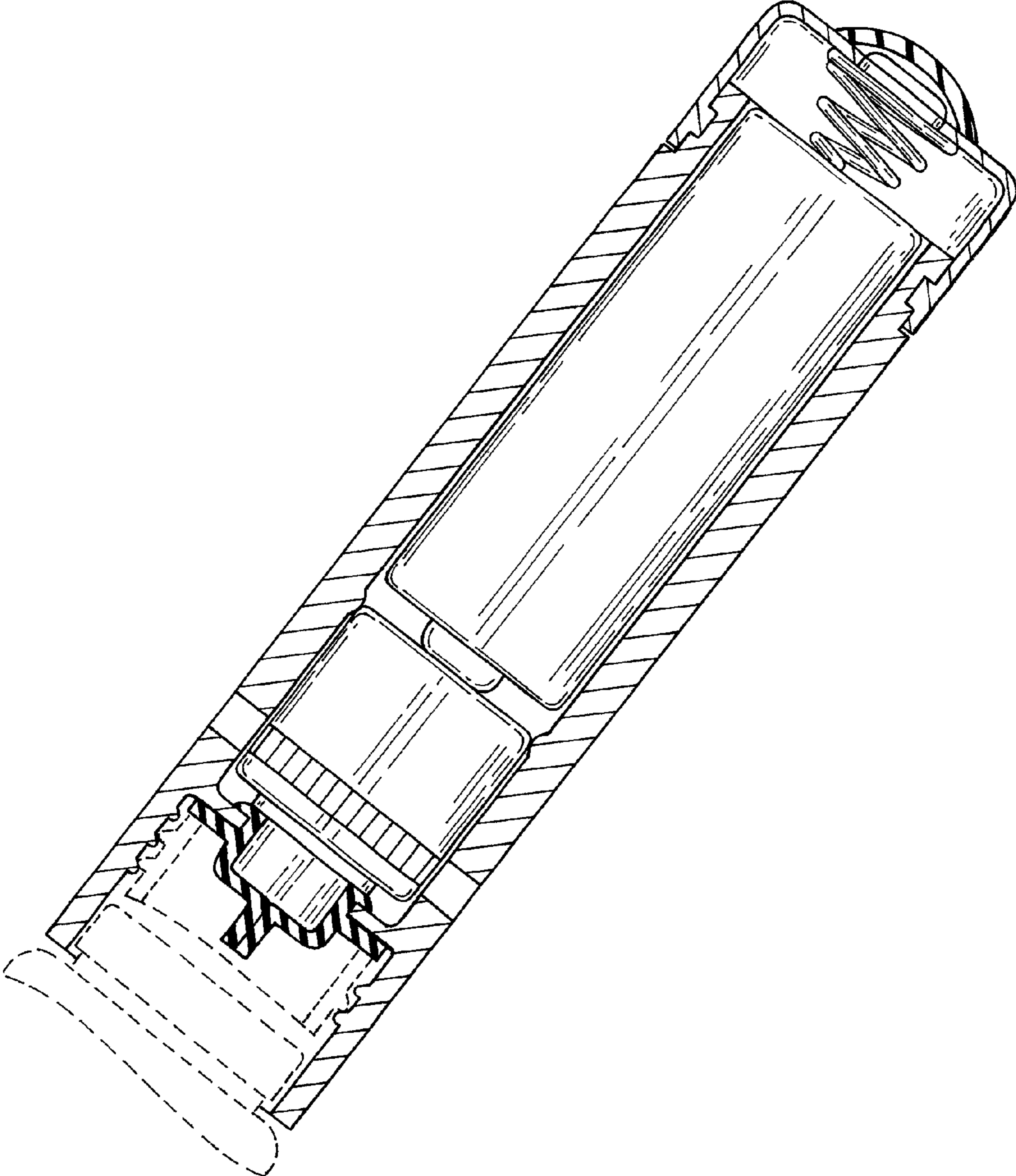


FIG. 5



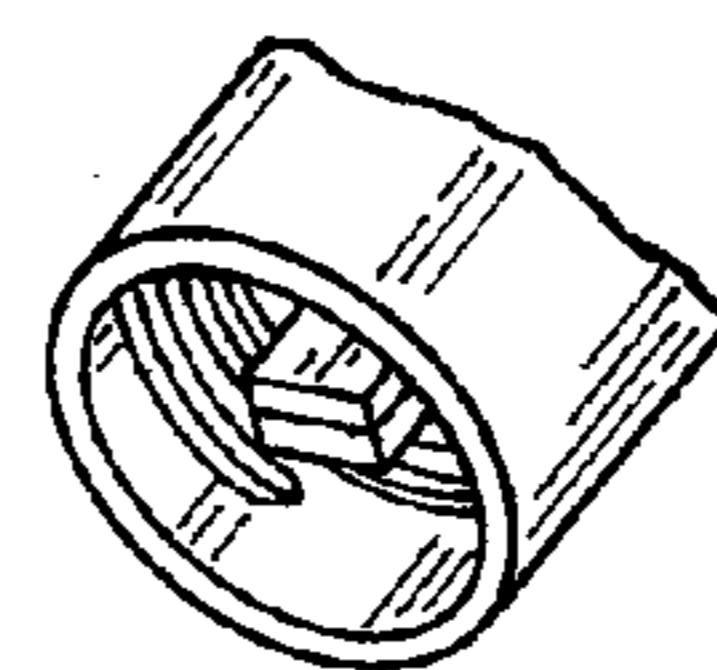
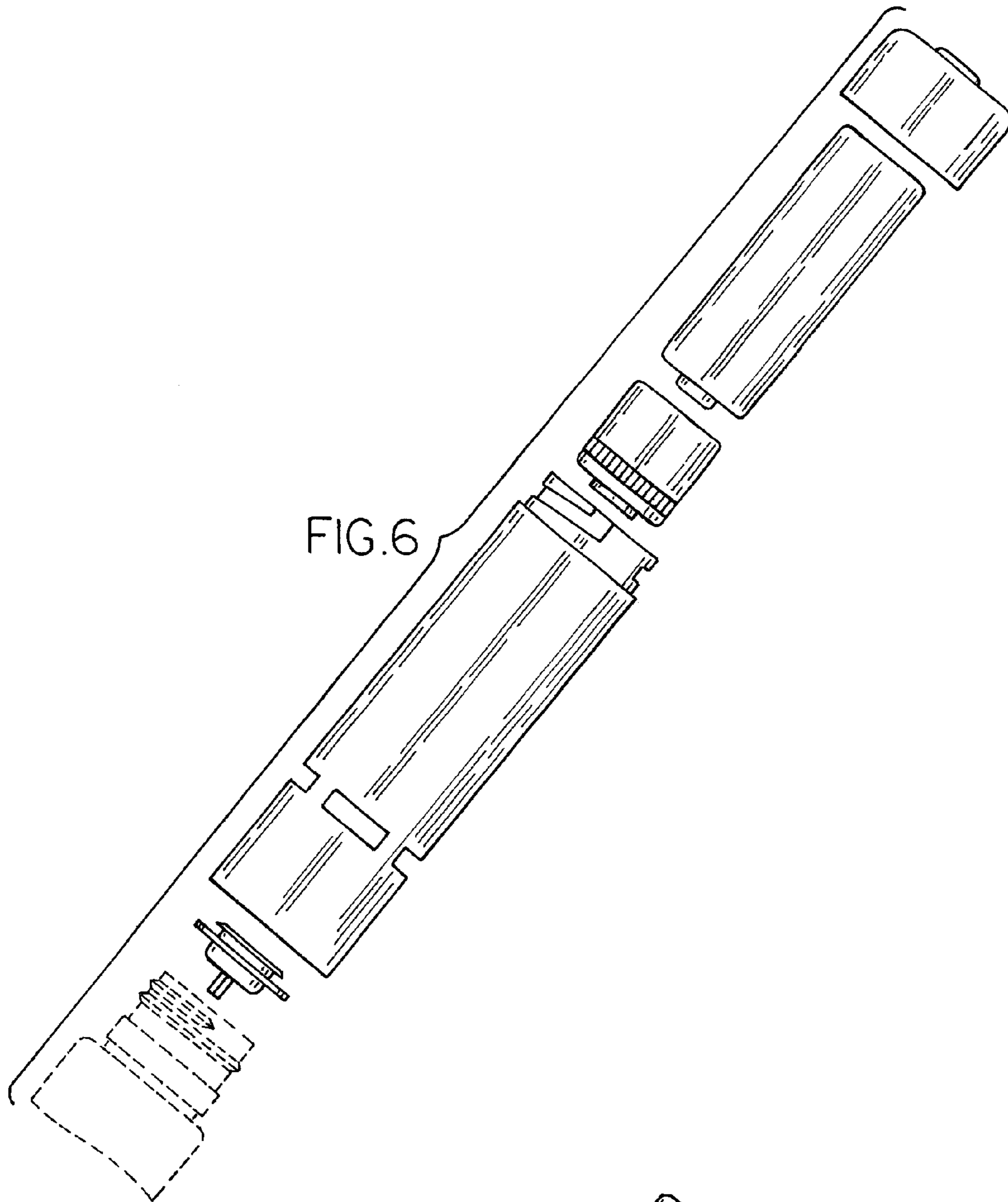
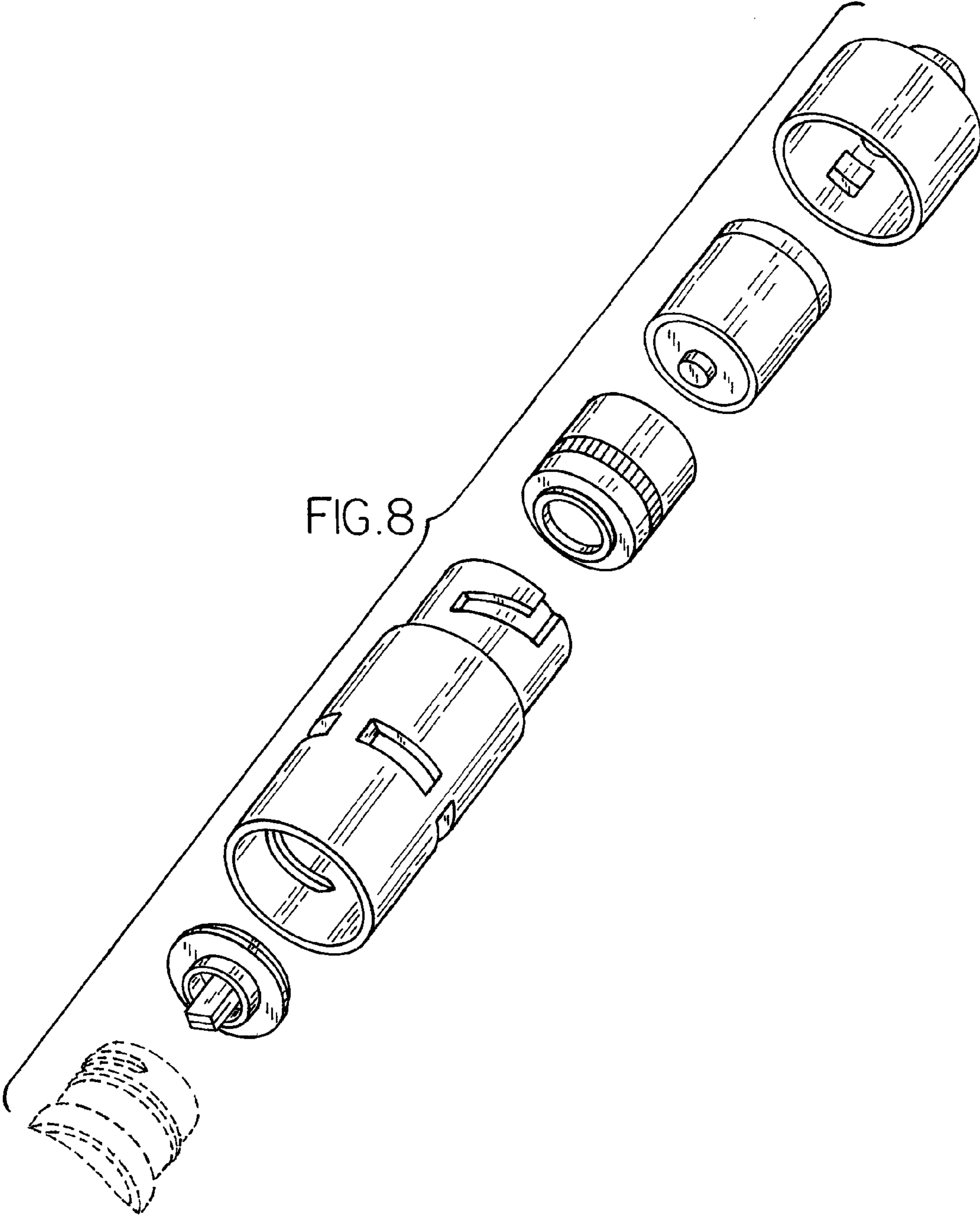


FIG. 7



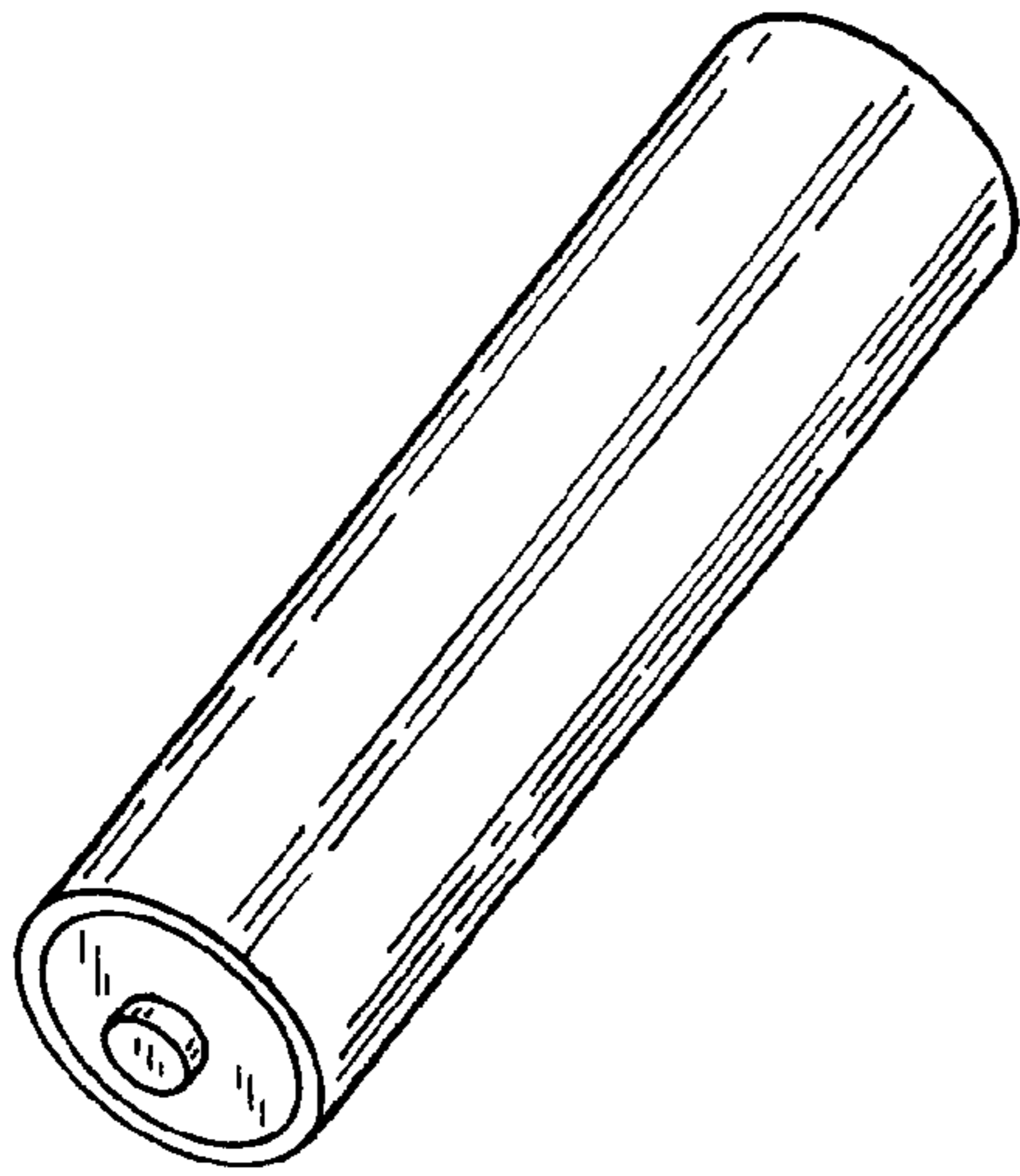


FIG. 10

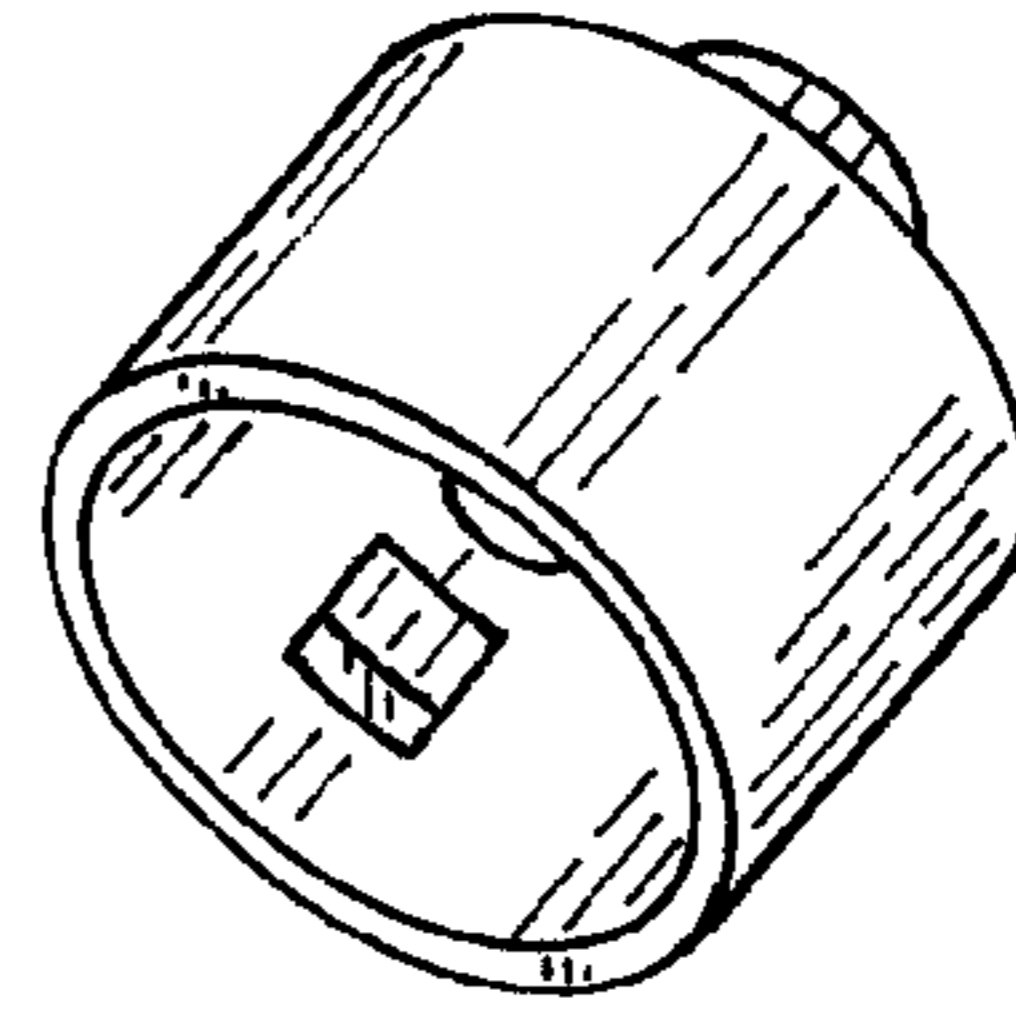


FIG. 11

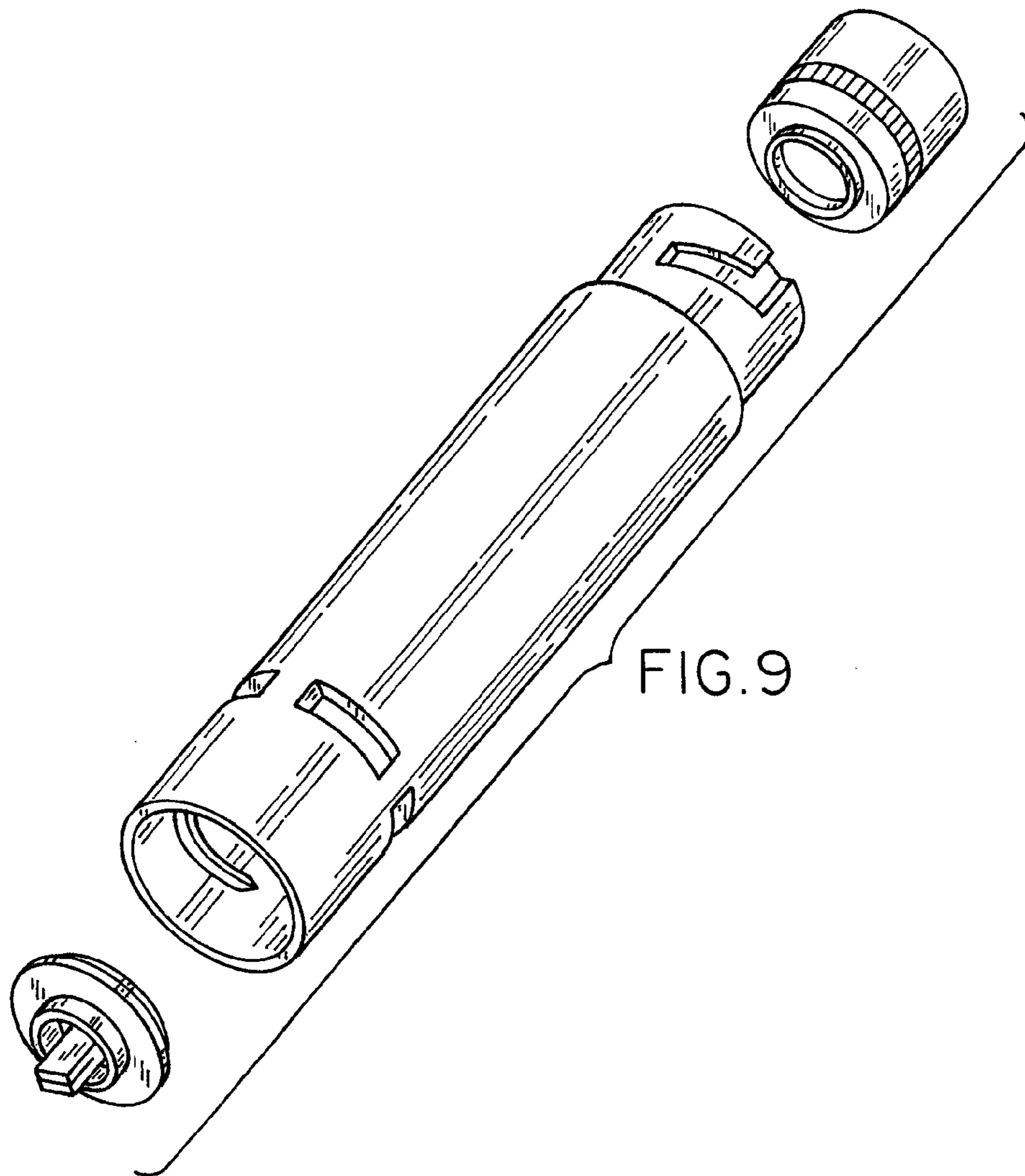


FIG. 9