



US00D520519S

(12) **United States Design Patent**
Chin et al.

(10) **Patent No.:** **US D520,519 S**

(45) **Date of Patent:** **** May 9, 2006**

(54) **MEDIA PLAYER**

(75) Inventors: **Ming-Hwa Chin**, Taoyuan (TW);
Kuei-Jung Yang, Taoyuan (TW)

(73) Assignee: **Enlight Corporation**, Taoyuan (TW)

(**) Term: **14 Years**

(21) Appl. No.: **29/229,406**

(22) Filed: **May 6, 2005**

(51) **LOC (8) Cl.** **14-03**

(52) **U.S. Cl.** **D14/496**

(58) **Field of Classification Search** D14/496,
D14/156, 157, 167, 168, 192, 188; 455/344-351;
369/75.1, 75.2, 24, 25, 2, 77.1, 77.2; 273/148 B;
463/43-47

See application file for complete search history.

(56) **References Cited**

U.S. PATENT DOCUMENTS

- 5,766,077 A * 6/1998 Hongo 463/30
- 6,254,477 B1 * 7/2001 Sasaki et al. 463/1
- D466,884 S * 12/2002 Clayton D14/168
- 6,595,860 B1 * 7/2003 Yamamoto et al. 463/43

- D483,809 S * 12/2003 Lim D21/324
- D485,563 S * 1/2004 Wei D14/496
- D491,613 S * 6/2004 Kawabata D21/333
- 6,795,318 B1 * 9/2004 Haas et al. 361/729
- D502,164 S * 2/2005 Ko et al. D14/156
- D504,409 S * 4/2005 Kim D14/156

* cited by examiner

Primary Examiner—Prabhakar Deshmukh

(74) *Attorney, Agent, or Firm*—Alan D. Kamrath; Nikolai & Mersereau, P.A.

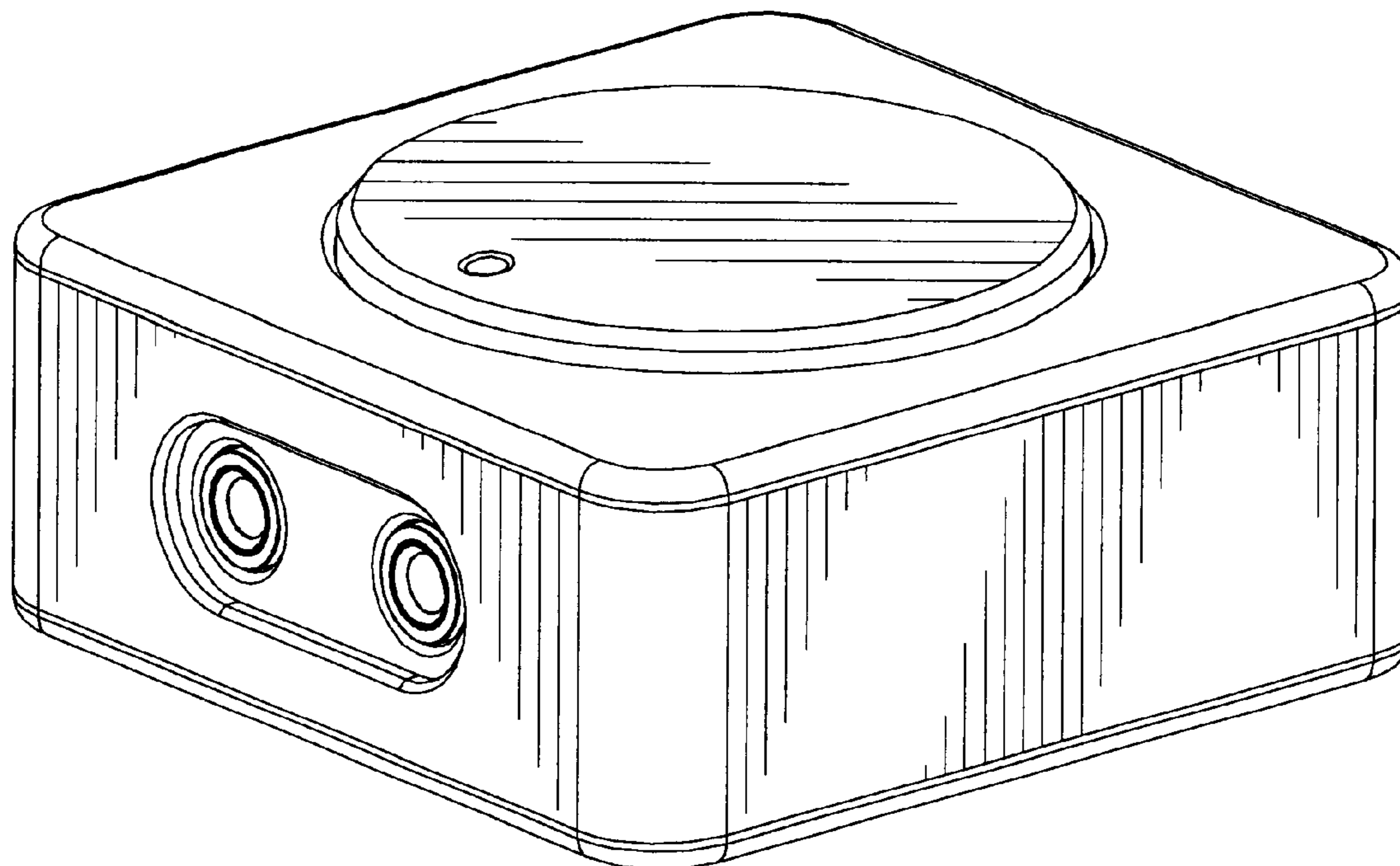
(57) **CLAIM**

The ornamental design for a media player, as shown and described.

DESCRIPTION

FIG. 1 is a perspective view of a media player showing my new design;
 FIG. 2 is a front view thereof;
 FIG. 3 is a rear view thereof;
 FIG. 4 is a left view thereof; the opposite side being a mirror image of the shown;
 FIG. 5 is a top view thereof; and,
 FIG. 6 is a bottom view thereof.

1 Claim, 3 Drawing Sheets



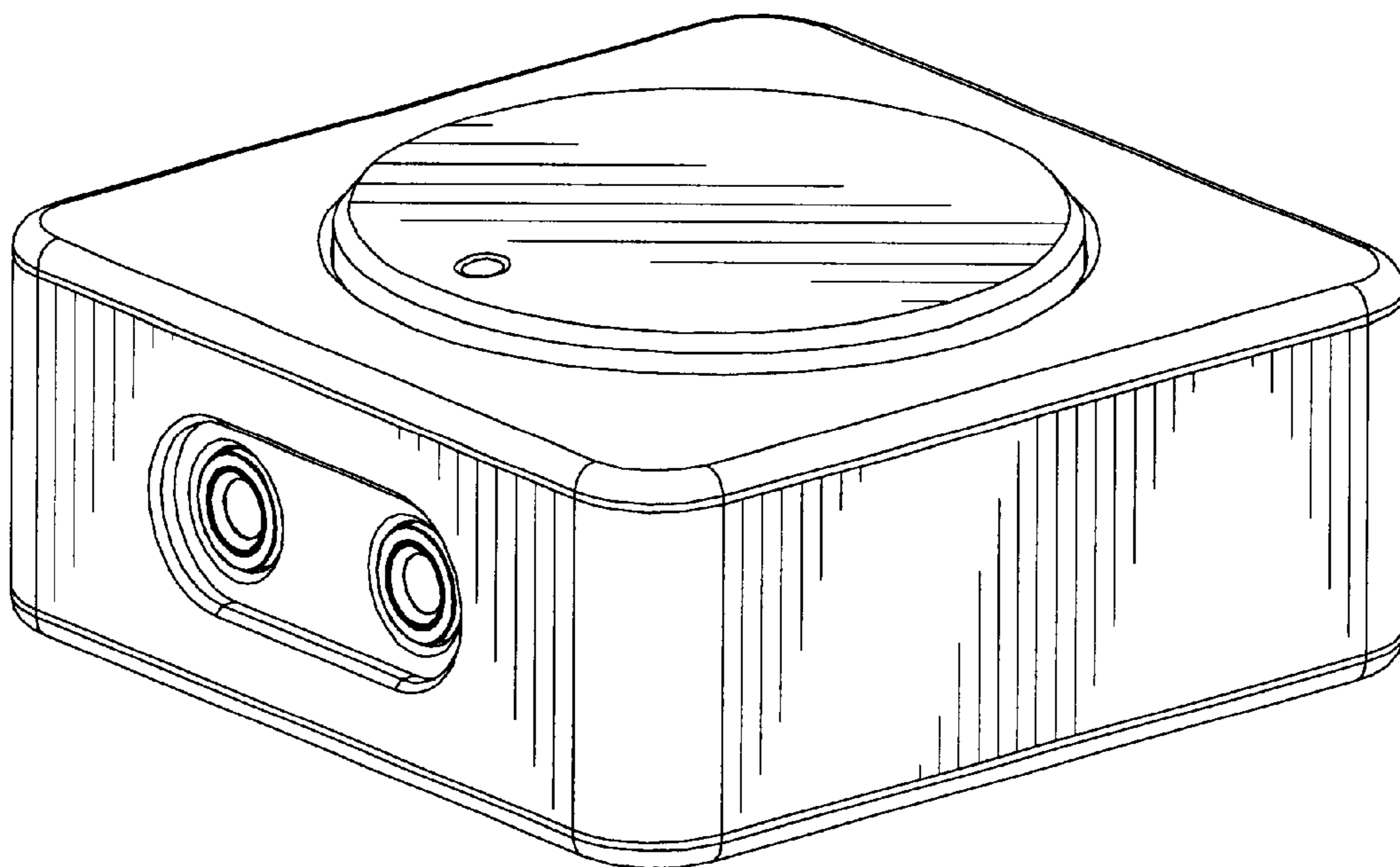


Fig. 1

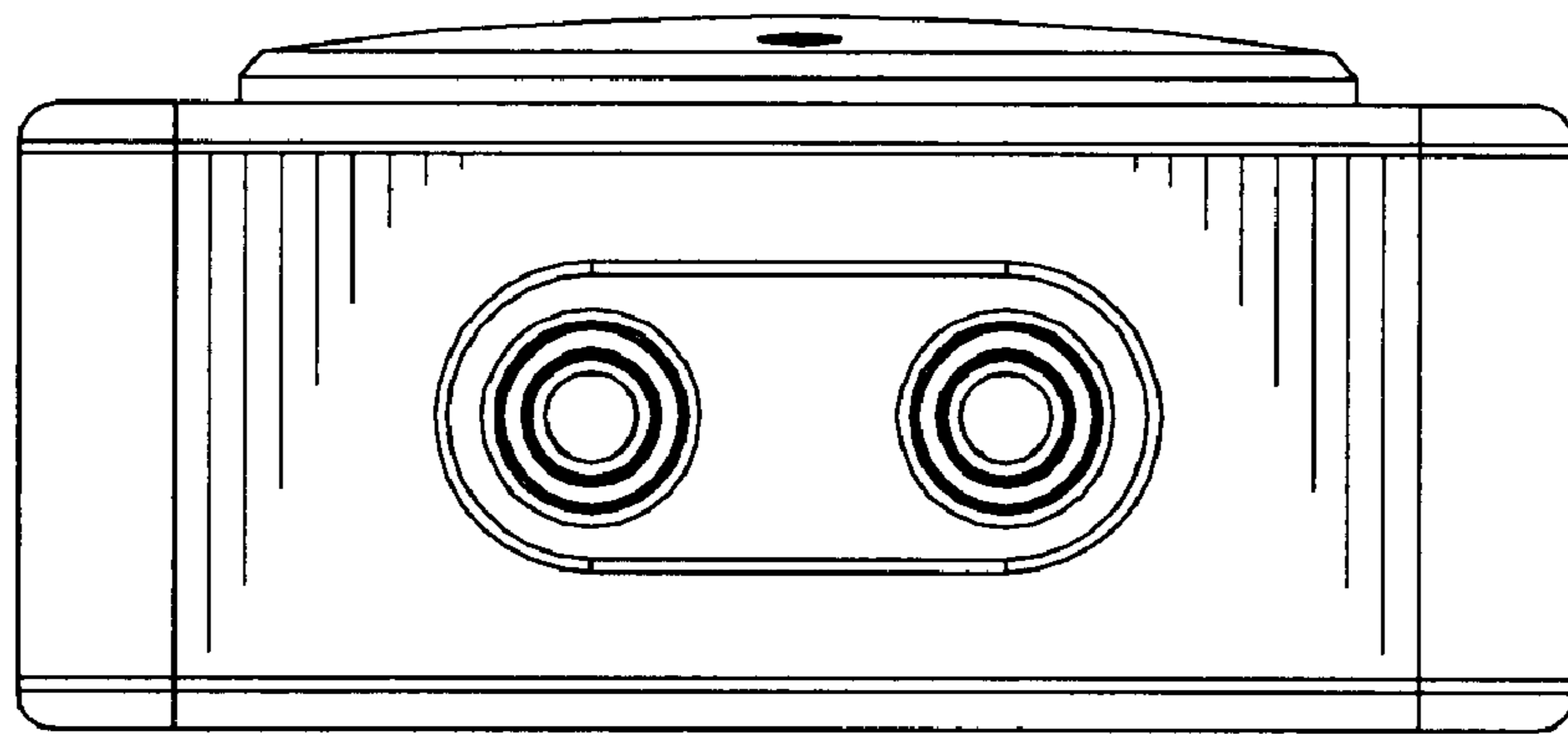


Fig. 2

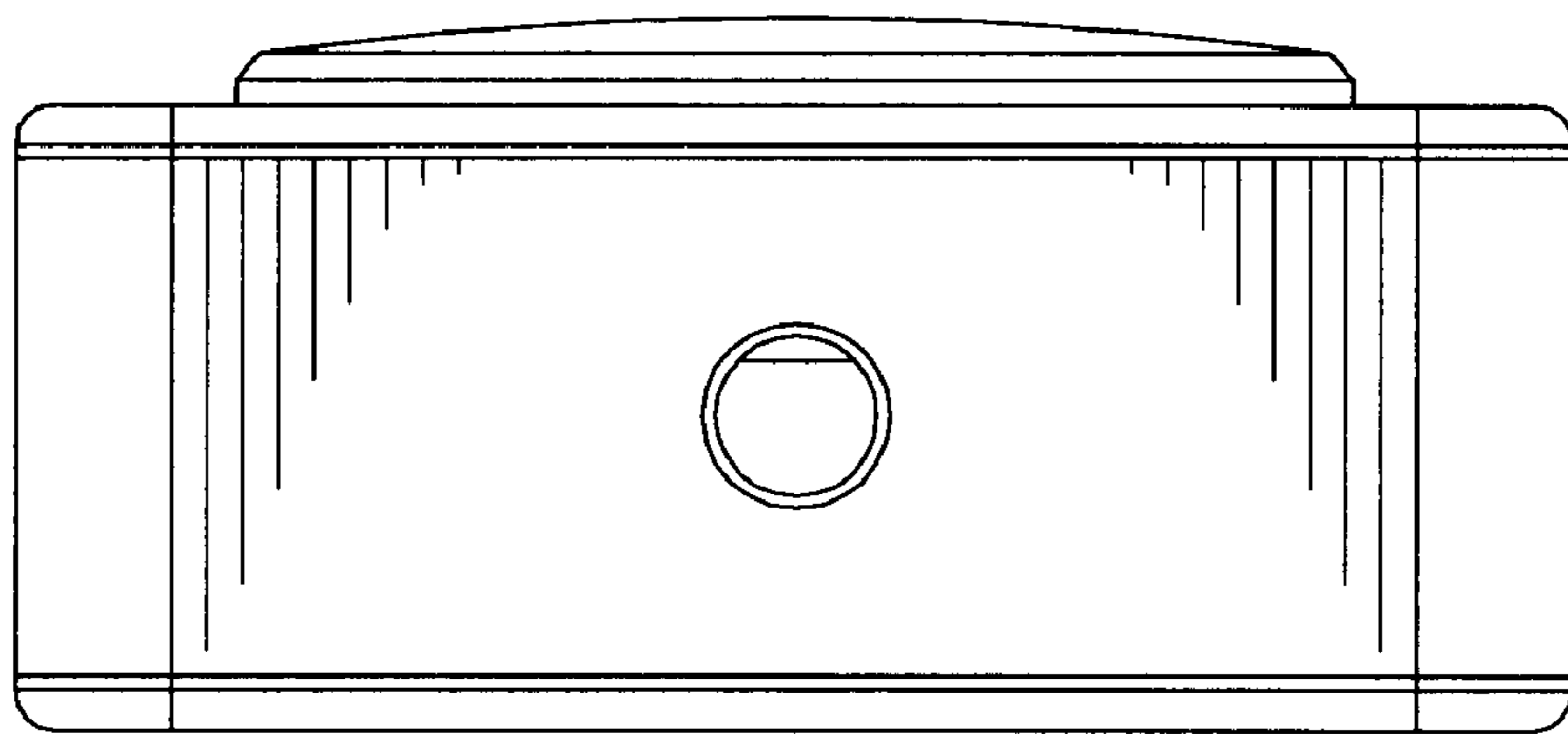


Fig. 3

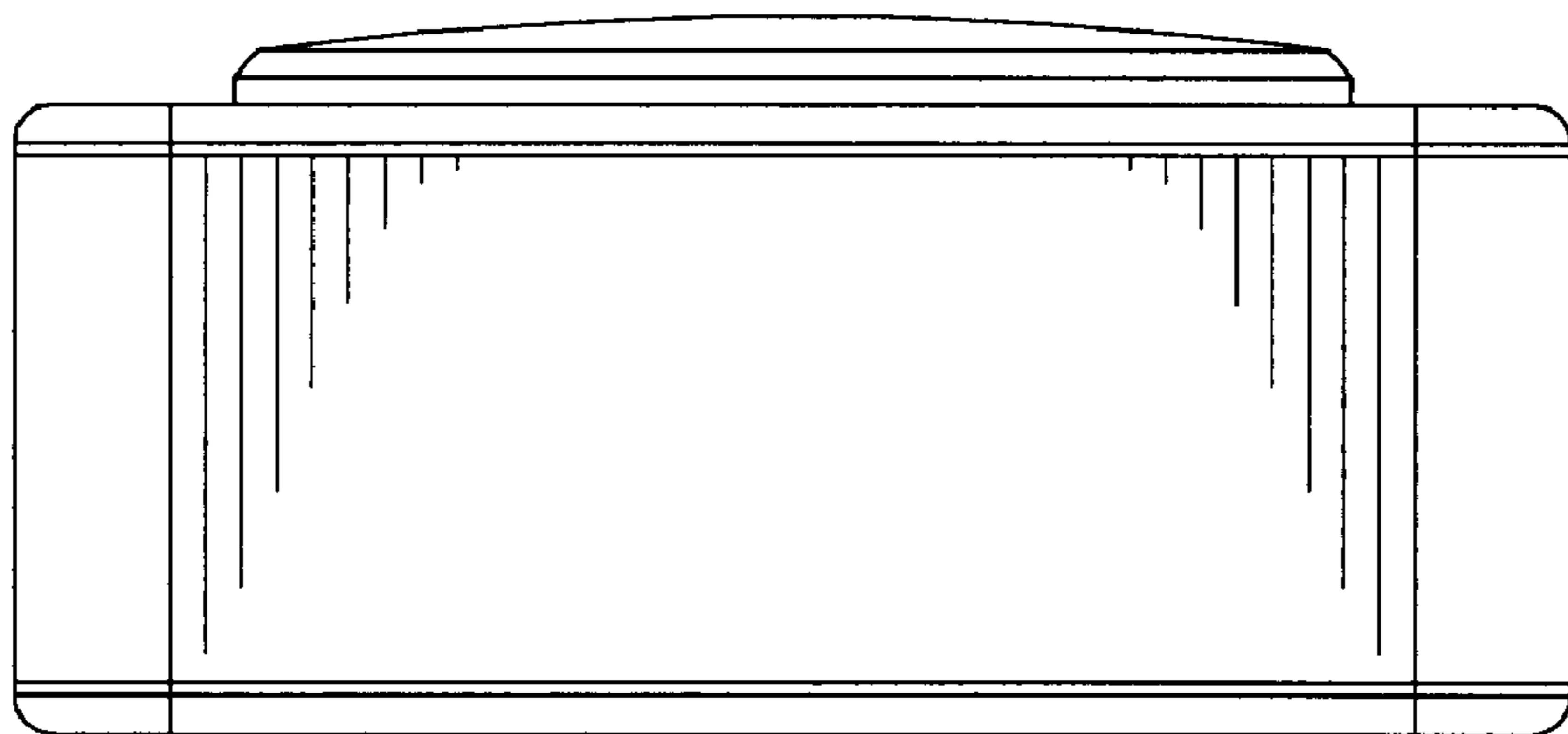


Fig. 4

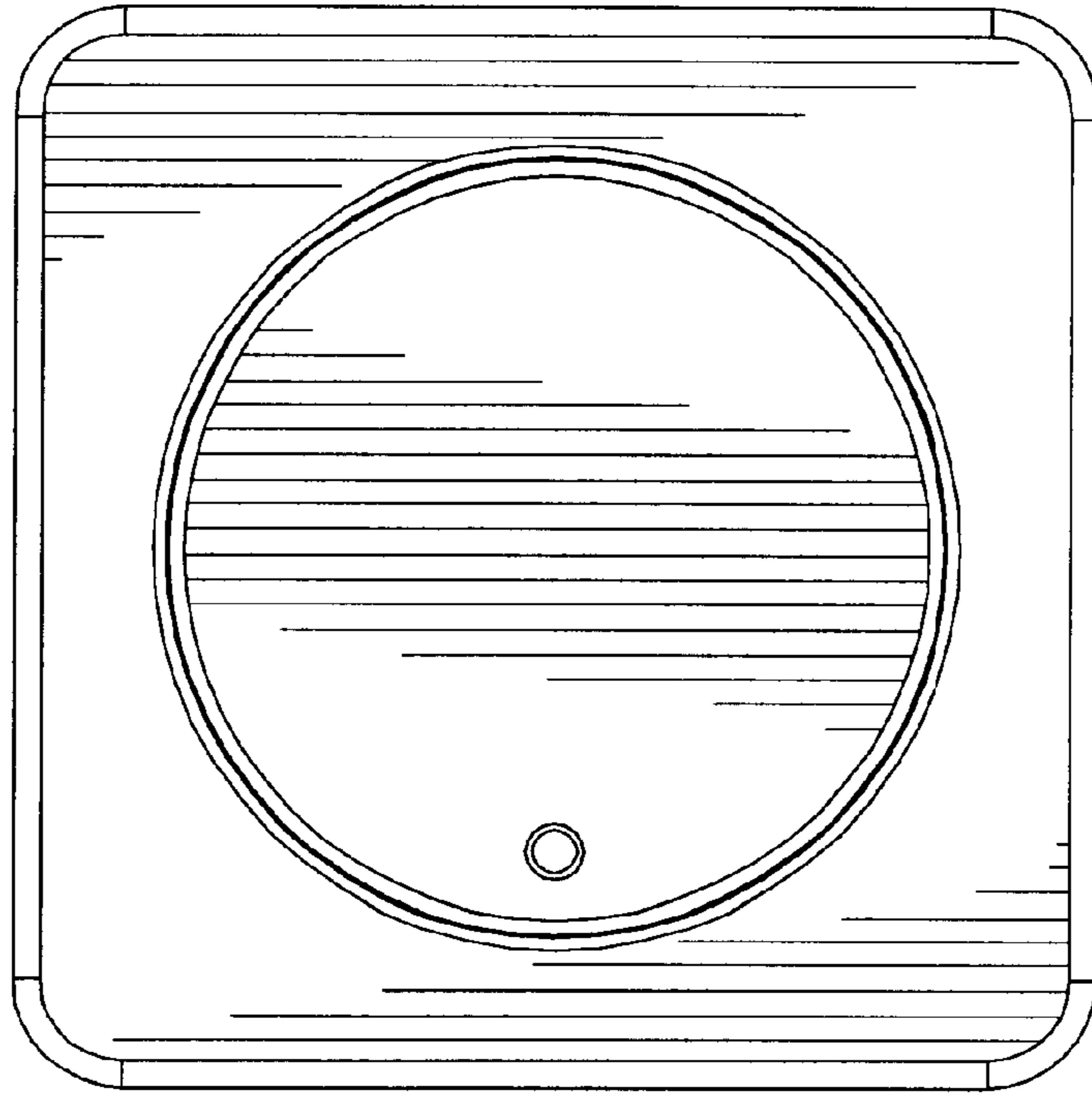


Fig. 5

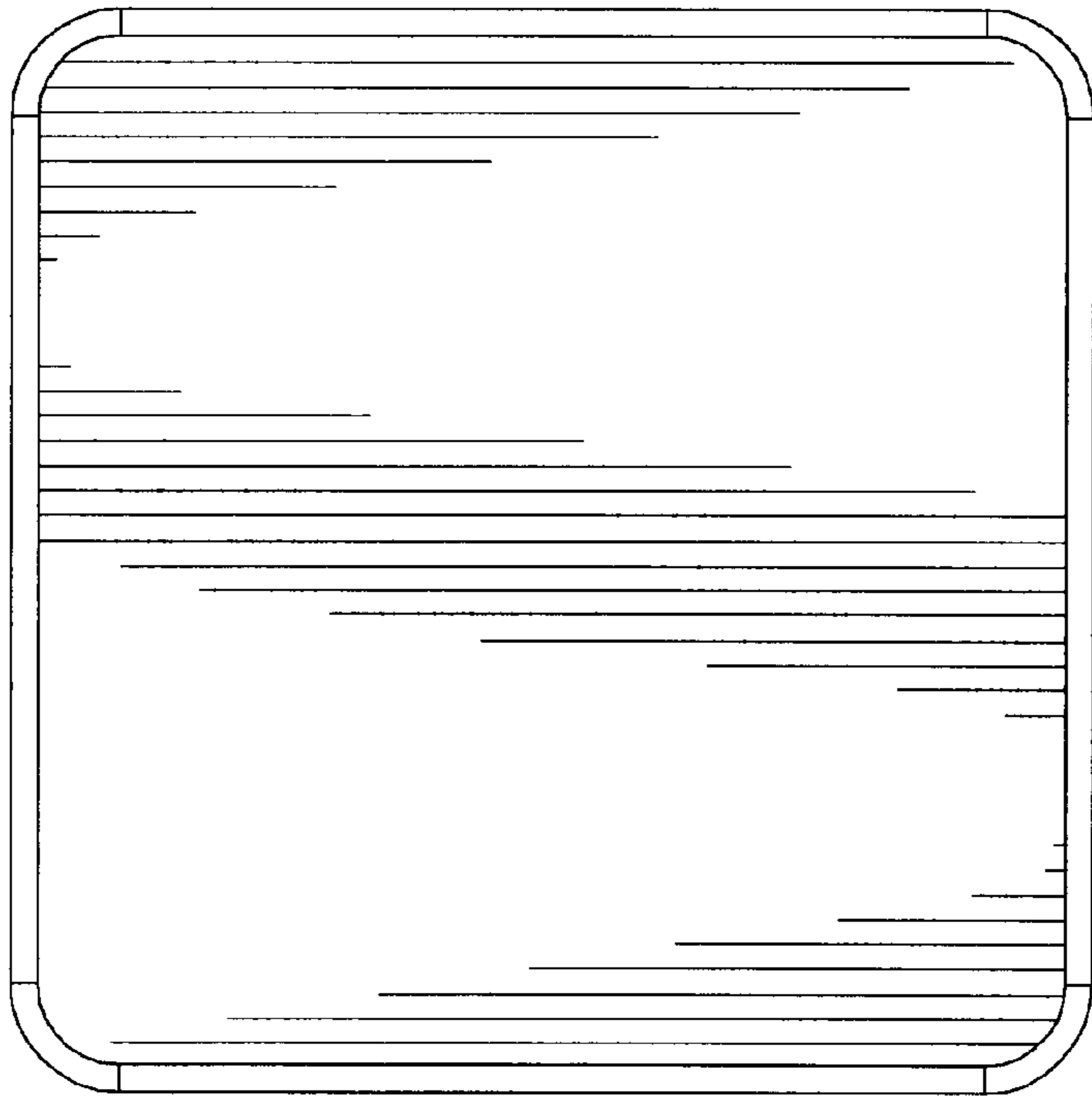


Fig. 6