

US00D520518S

(12) **United States Design Patent**  
**Byun**

(10) **Patent No.:** **US D520,518 S**

(45) **Date of Patent:** **\*\* May 9, 2006**

(54) **MP3 PLAYER**

(75) Inventor: **Da Mi Byun**, Seoul (KR)

(73) Assignee: **LG Electronics Inc.**, Seoul (KR)

(\*\*) Term: **14 Years**

(21) Appl. No.: **29/228,642**

(22) Filed: **Apr. 27, 2005**

(30) **Foreign Application Priority Data**

Oct. 28, 2004 (KR) ..... 30-2004-0033086

(51) **LOC (8) Cl.** ..... **13-03**

(52) **U.S. Cl.** ..... **D14/496**

(58) **Field of Classification Search** ..... D14/496,  
D14/435, 474, 483, 217, 188, 204; 273/148 B;  
463/1, 43-47; 370/342-344; 455/347-351;  
345/903, 905; 369/2, 6-12  
See application file for complete search history.

(56) **References Cited**

**U.S. PATENT DOCUMENTS**

5,661,632 A \* 8/1997 Register ..... 361/683  
5,859,594 A \* 1/1999 King et al. .... 340/7.55

6,122,526 A \* 9/2000 Parulski et al. .... 455/556.1  
6,314,483 B1 \* 11/2001 Goto et al. .... 710/107  
D504,442 S \* 4/2005 Kim ..... D14/496  
D510,081 S \* 9/2005 Yang ..... D14/156  
D510,584 S \* 10/2005 Tierney ..... D14/496

\* cited by examiner

*Primary Examiner*—Prabhakar Deshmukh

(74) *Attorney, Agent, or Firm*—Birch, Stewart, Kolasch & Birch, LLP

(57) **CLAIM**

I claim the ornamental design for MP3 player, as shown and described.

**DESCRIPTION**

FIG. 1 is a perspective view of MP3 player showing the new design:

FIG. 2 is a front elevation view thereof;

FIG. 3 is a rear elevation view thereof;

FIG. 4 is a left-side elevation view thereof;

FIG. 5 is a right-side elevation view thereof;

FIG. 6 is a top plan view thereof; and,

FIG. 7 is a bottom plan view thereof.

**1 Claim, 4 Drawing Sheets**

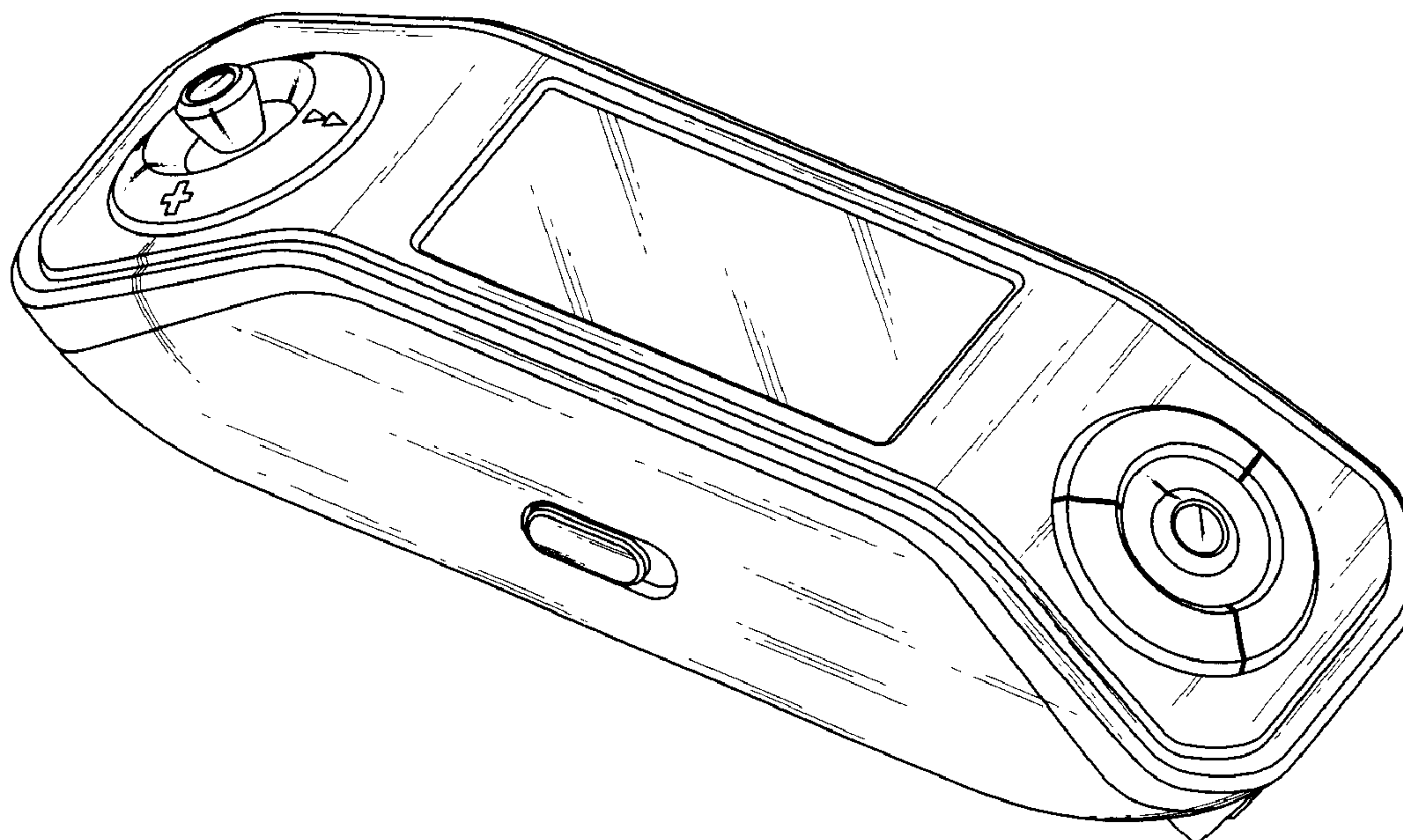


FIG. 1

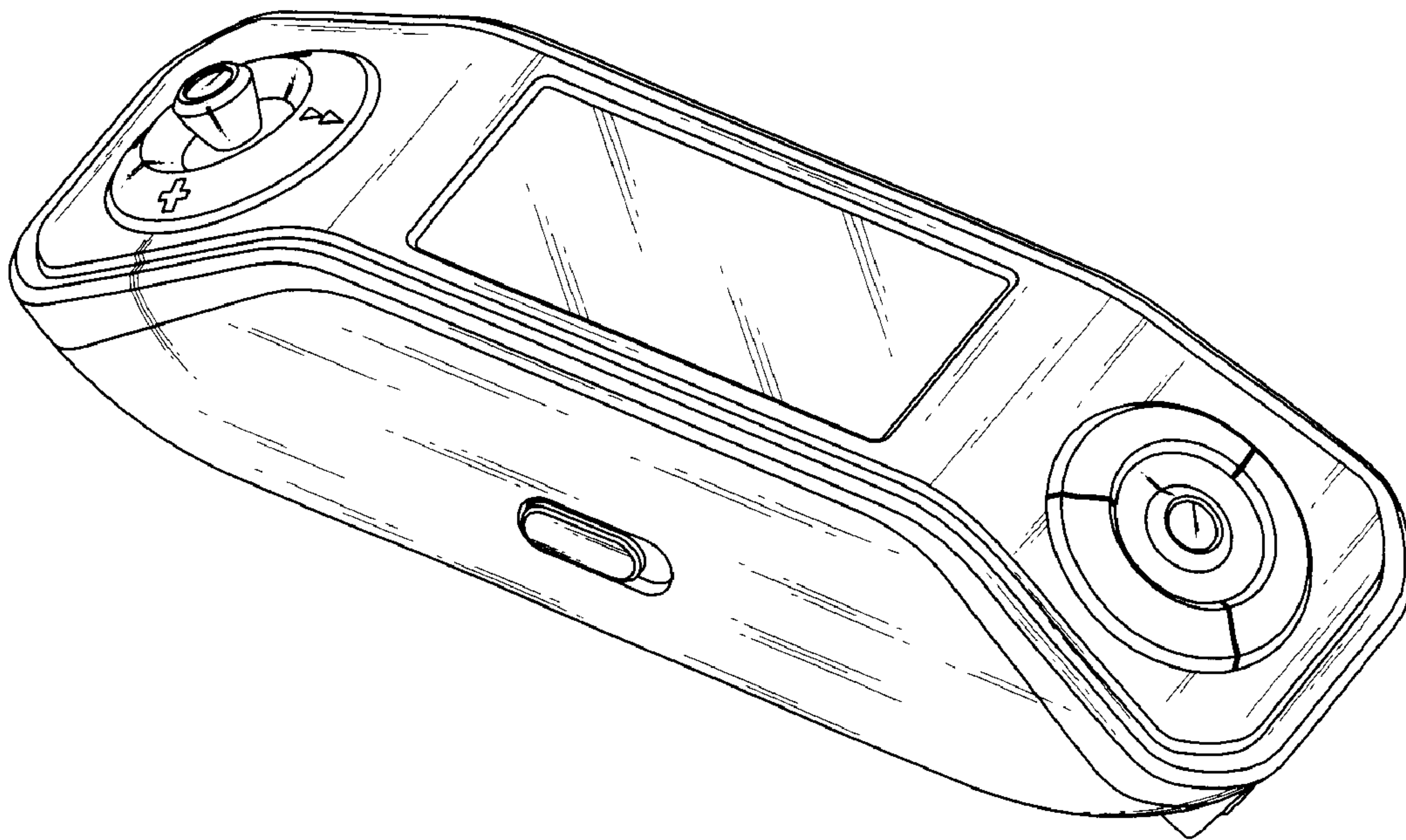


FIG. 2

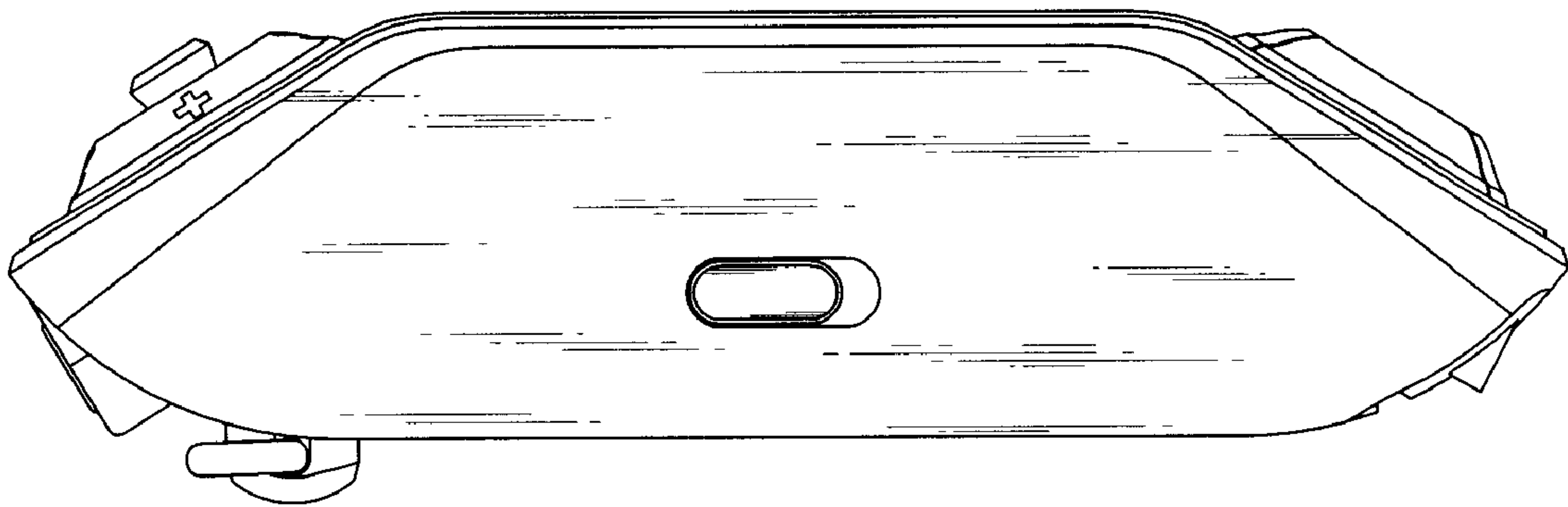


FIG. 3

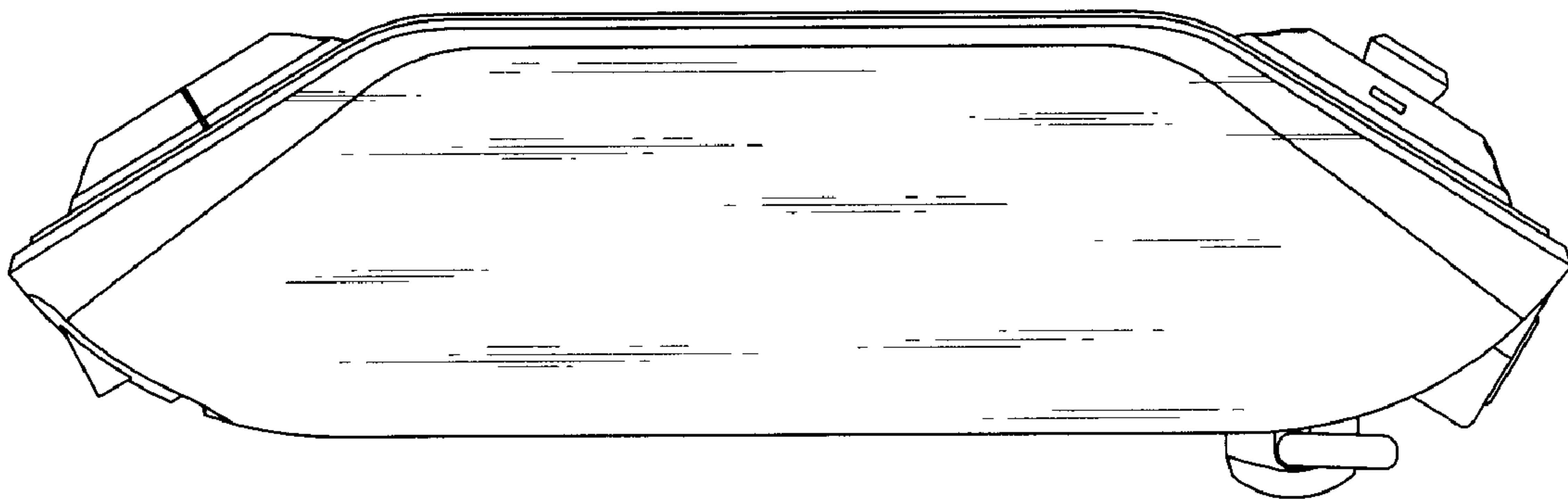


FIG. 4

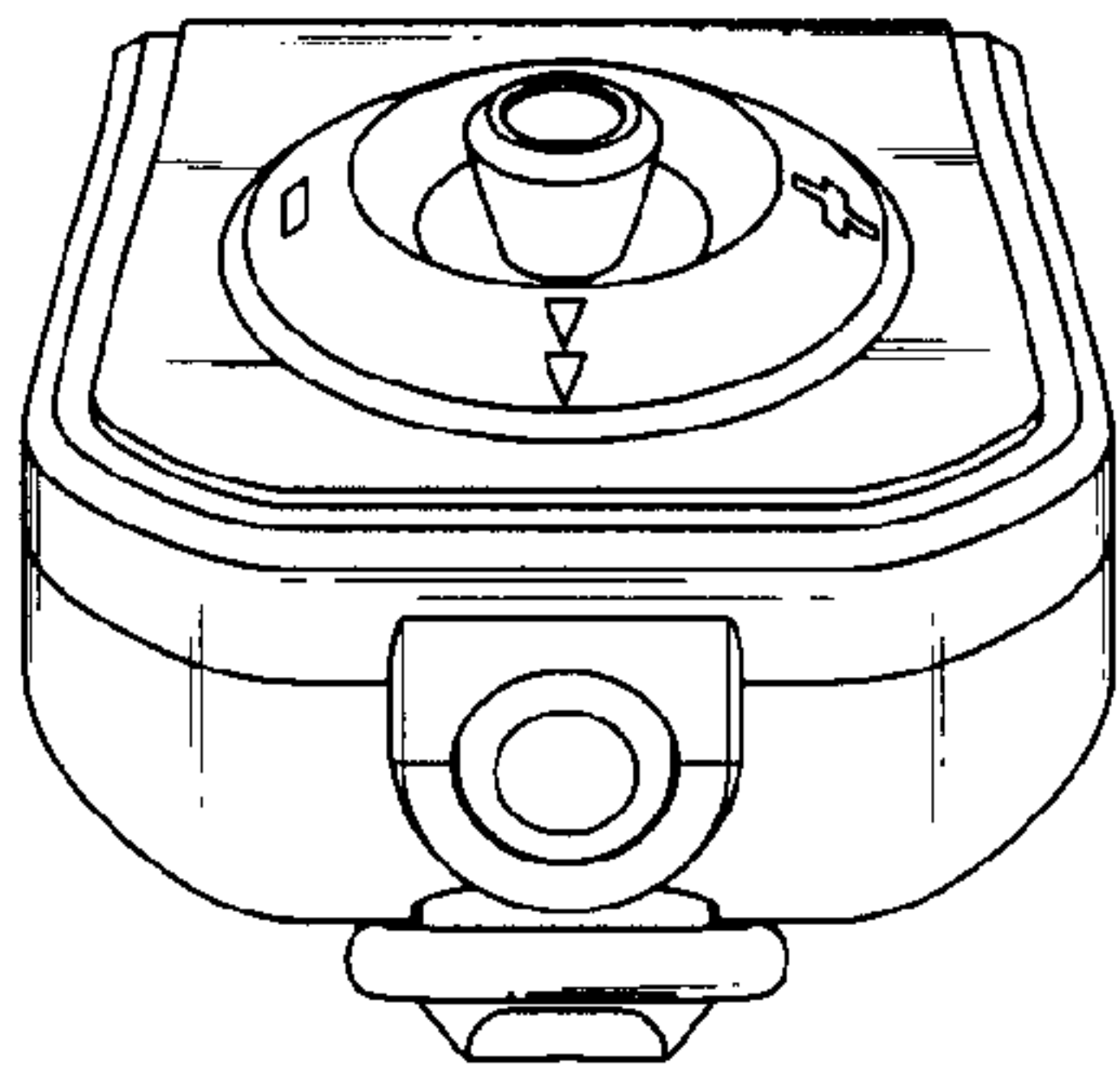


FIG. 5

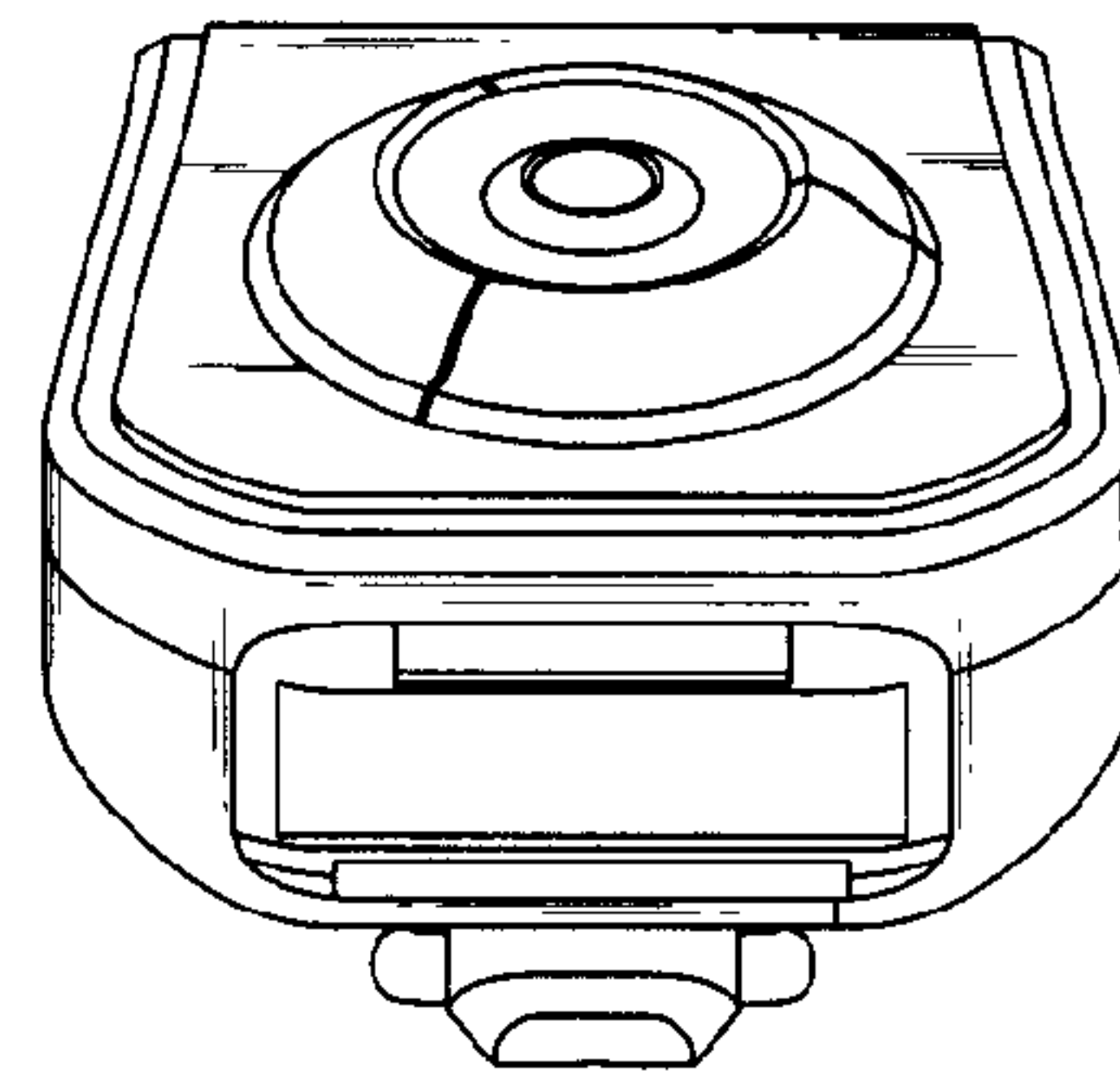


FIG. 6

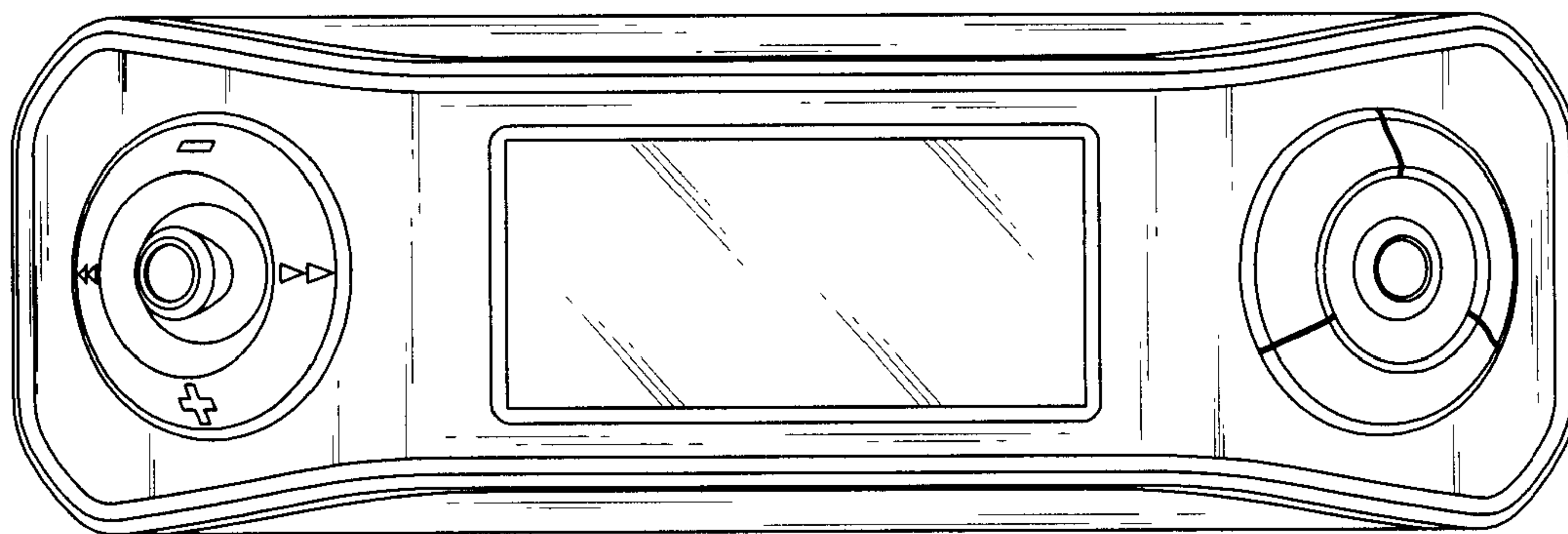


FIG. 7

