



US00D520511S

(12) **United States Design Patent** (10) **Patent No.:** **US D520,511 S**
Piazza et al. (45) **Date of Patent:** **** May 9, 2006**

(54) **SUPPORT ARM FOR A DISPLAY**
(75) Inventors: **Anthony Piazza**, Palo Alto, CA (US);
Steven L. Atkins, Mountain View, CA
(US); **James Yurchenco**, Palo Alto, CA
(US); **John Smith**, San Francisco, CA
(US); **Jonathan I. Kaplan**, Palo Alto,
CA (US); **Paul Frey**, San Francisco,
CA (US); **Mark Siminoff**, San Jose, CA
(US)

(73) Assignee: **Steelcase Development Corporation**,
Grand Rapids, MI (US)

(**) Term: **14 Years**

(21) Appl. No.: **29/223,410**

(22) Filed: **Feb. 14, 2005**

(51) **LOC (8) Cl.** **08-07**

(52) **U.S. Cl.** **D14/452**

(58) **Field of Classification Search** 248/274.1,
248/276.1, 278.1, 282.1, 917, 280.11, 288.11,
248/921, 122.1, 919, 279.1, 536, 516, 519,
248/309.1, 145, 284.1, 314, 286.1, 281.11,
248/123.11, 125.7, 291.1, 285.1; D14/452,
D14/448, 451, 447; D8/363, 373, 349, 380,
D8/355; D26/63, 140, 65; 312/7.2; 361/680-686;
403/164, 117; 362/430, 427; D6/418, 567,
D6/491, 330, 338

See application file for complete search history.

(56) **References Cited**

U.S. PATENT DOCUMENTS

D202,428	S	*	9/1965	Weinstock	D13/133
D236,584	S	*	9/1975	Svahn et al.	D8/349
4,234,150	A	*	11/1980	Mee et al.	248/281.11
D275,431	S	*	9/1984	Usab	D14/452
4,523,732	A	*	6/1985	Biber et al.	248/123.11
4,591,122	A	*	5/1986	Kreuzer	248/281.11
4,695,024	A	*	9/1987	Haven	248/281.11
D292,264	S	*	10/1987	Staufenberg et al.	D8/380
D302,501	S	*	8/1989	Kuba et al.	D6/491
D314,505	S	*	2/1991	Chen	D8/380

5,037,053	A	*	8/1991	Fox et al.	248/280.11
5,092,552	A	*	3/1992	Dayton et al.	248/280.11
D327,334	S	*	6/1992	Parker	D26/65
5,123,621	A	*	6/1992	Gates	248/281.11
D360,126	S	*	7/1995	Rosen	D8/349
5,538,214	A	*	7/1996	Sinila	248/278.1
5,553,820	A	*	9/1996	Karten et al.	248/286.1
D391,148	S	*	2/1998	Rosen	D8/380
D391,243	S	*	2/1998	Rosen	D14/452
5,713,549	A	*	2/1998	Shieh	248/284.1
5,743,503	A	*	4/1998	Voeller et al.	248/284.1
D412,167	S	*	7/1999	Rosen	D14/126

(Continued)

Primary Examiner—Alan P. Douglas

Assistant Examiner—Susan Moon Lee

(74) *Attorney, Agent, or Firm*—Quarles & Brady LLP

(57) **CLAIM**

The ornamental design for a support arm for a display, as shown and described.

DESCRIPTION

In a preferred embodiment, the nature of this product is an adjustable support arm for a flat panel display for a computer.

FIG. 1 is a rear, right perspective view of a support arm for a display embodying our new design;

FIG. 2 is a front elevational view thereof;

FIG. 3 is a left side elevational view thereof;

FIG. 4 is a right side elevational view thereof;

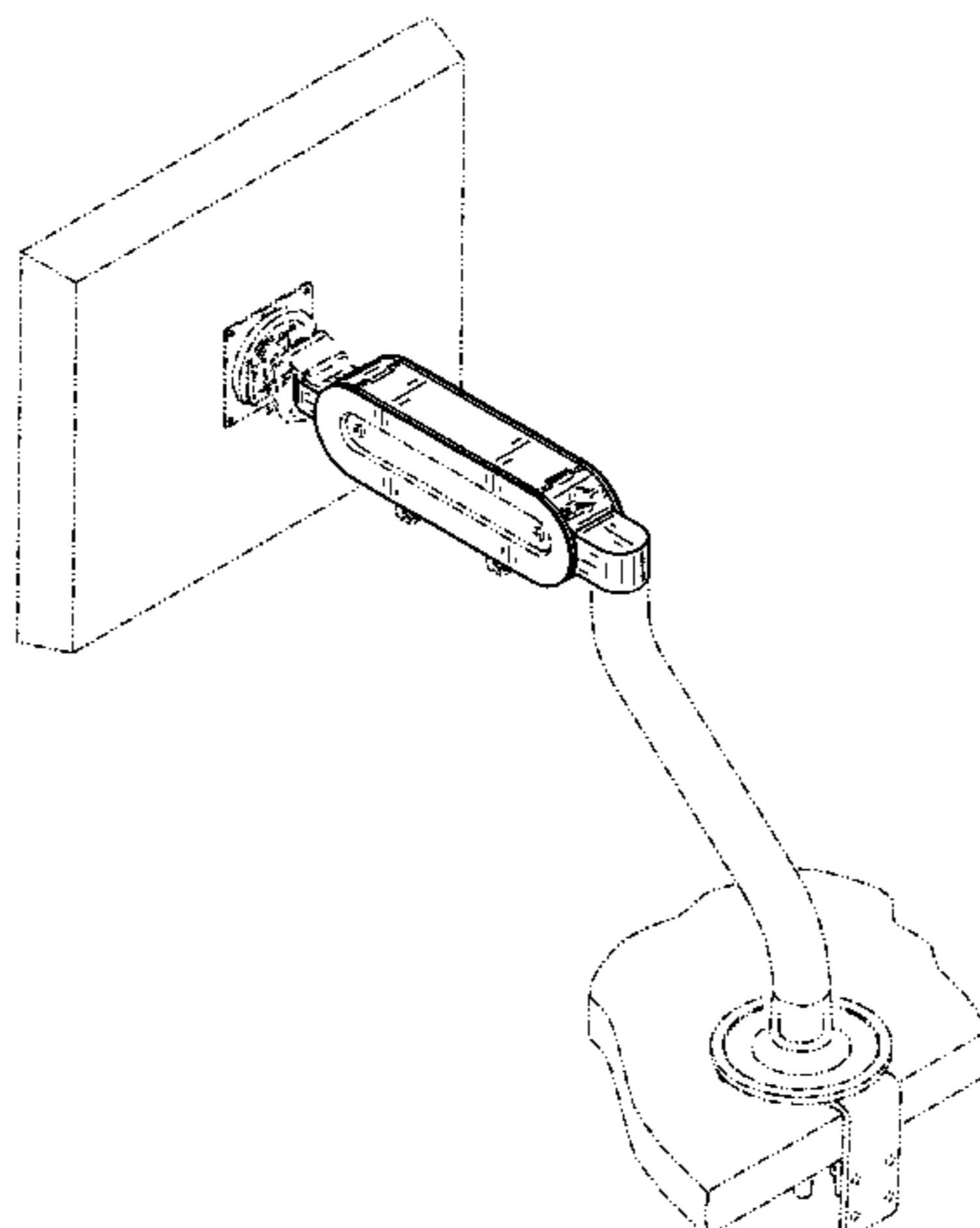
FIG. 5 is a rear elevational view thereof;

FIG. 6 is a top plan view thereof; and,

FIG. 7 is a bottom plan view thereof.

The broken line representations of a display in FIGS. 1 and 3-7, of display mounting structure in FIGS. 1 and 3-7, of recessed side wall areas in FIGS. 1, 3 and 4, of hooks in FIGS. 1-4 and 7, of an adjustment dial in FIGS. 1, 3, 4, 5 and 6, of lower support arm in FIGS. 1-7, of table mounting structure in FIGS. 1 and 6, and of a table in FIGS. 1 and 6, are for the purpose of illustration only, and form no part of the claimed design.

1 Claim, 4 Drawing Sheets



US D520,511 S

Page 2

U.S. PATENT DOCUMENTS

D422,482 S	*	4/2000	Csik et al.	D8/349	D458,832 S	*	6/2002	Worrall	D8/380
D427,604 S	*	7/2000	Rosen	D14/447	D459,514 S	*	6/2002	Mier-Langner et al.	D26/63
D435,852 S	*	1/2001	Oddsens, Jr.	D14/452	6,478,275 B1	*	11/2002	Huang	248/284.1
D455,949 S	*	4/2002	Huang	D8/373	6,609,691 B1	*	8/2003	Oddsens, Jr.	248/278.1
D457,977 S	*	5/2002	Mier-Langner et al.	D26/63	2003/0080269 A1	*	5/2003	Oddsens, Jr.	248/274.1

* cited by examiner

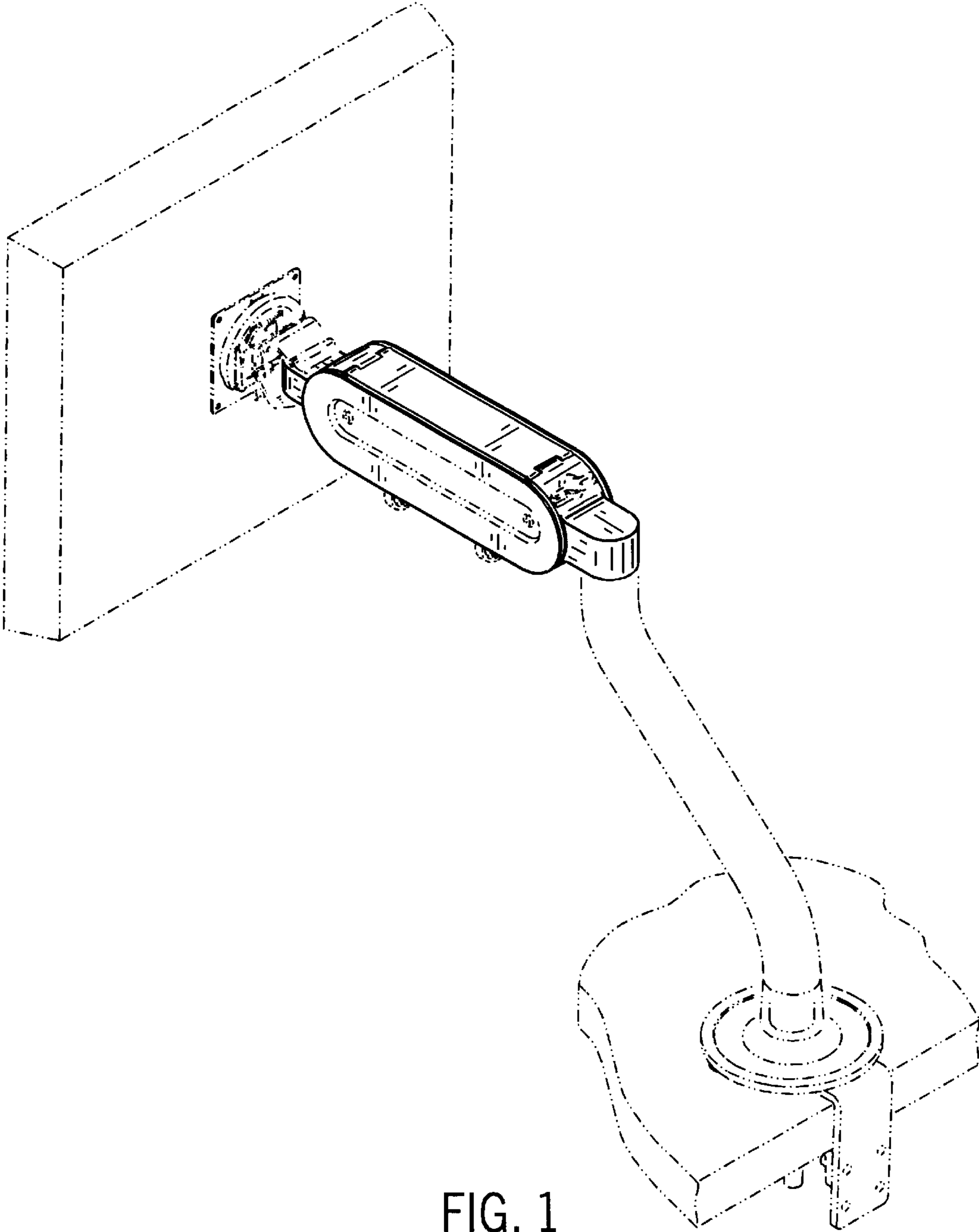


FIG. 1

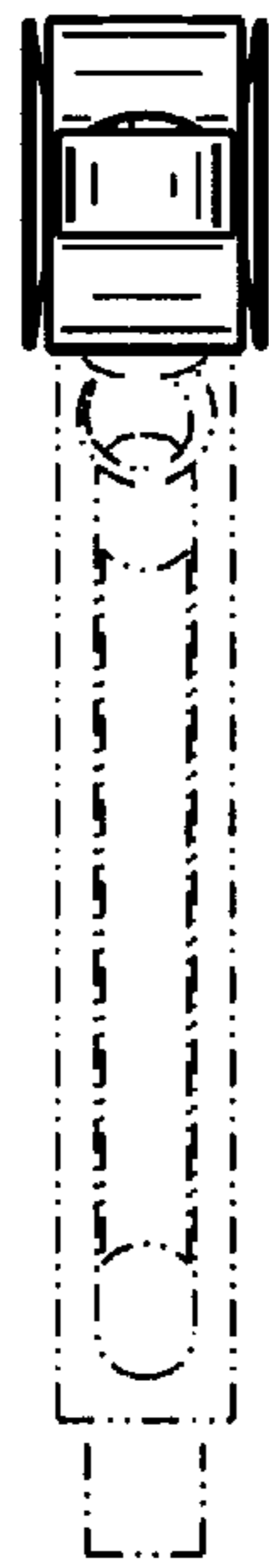


FIG. 2

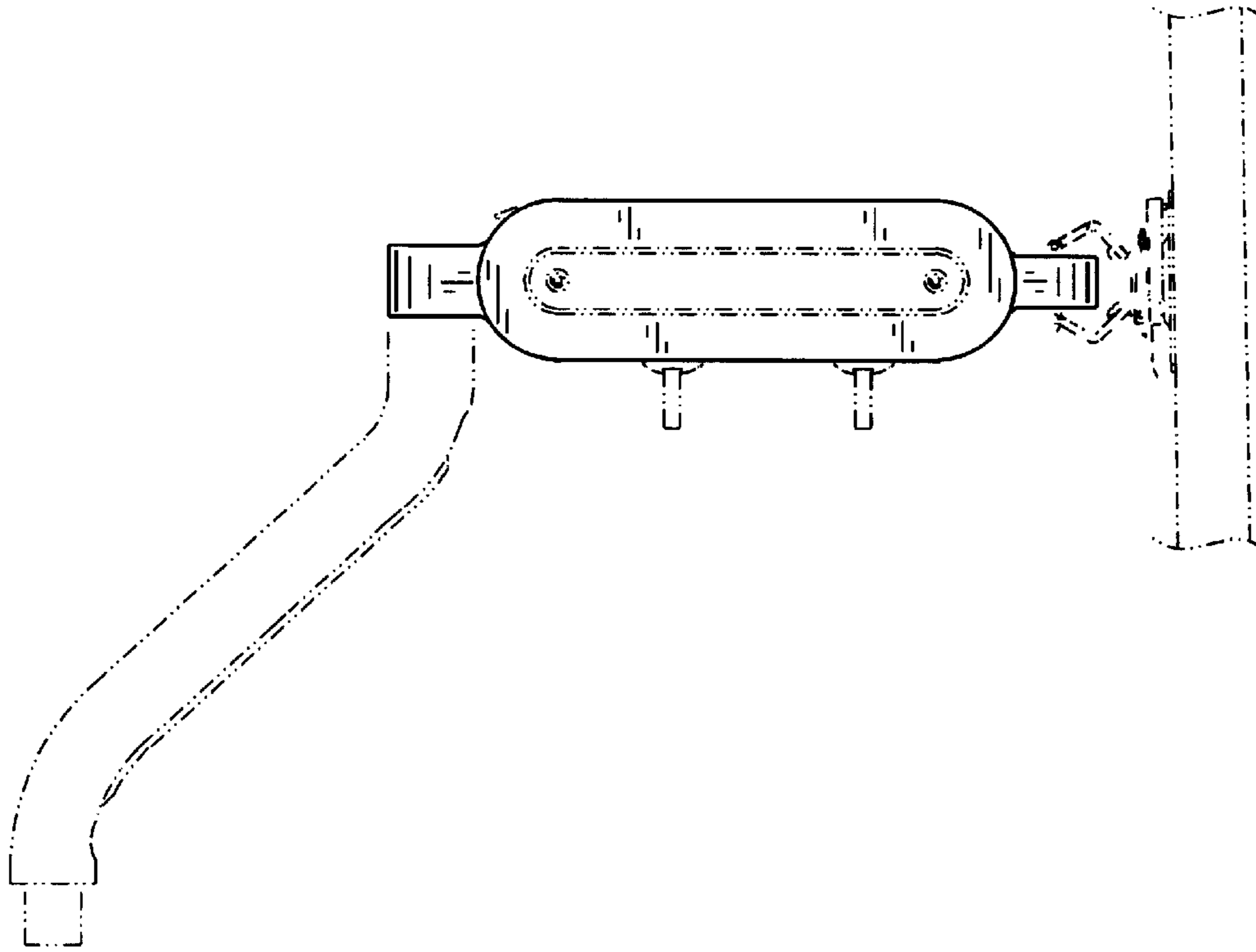


FIG. 3

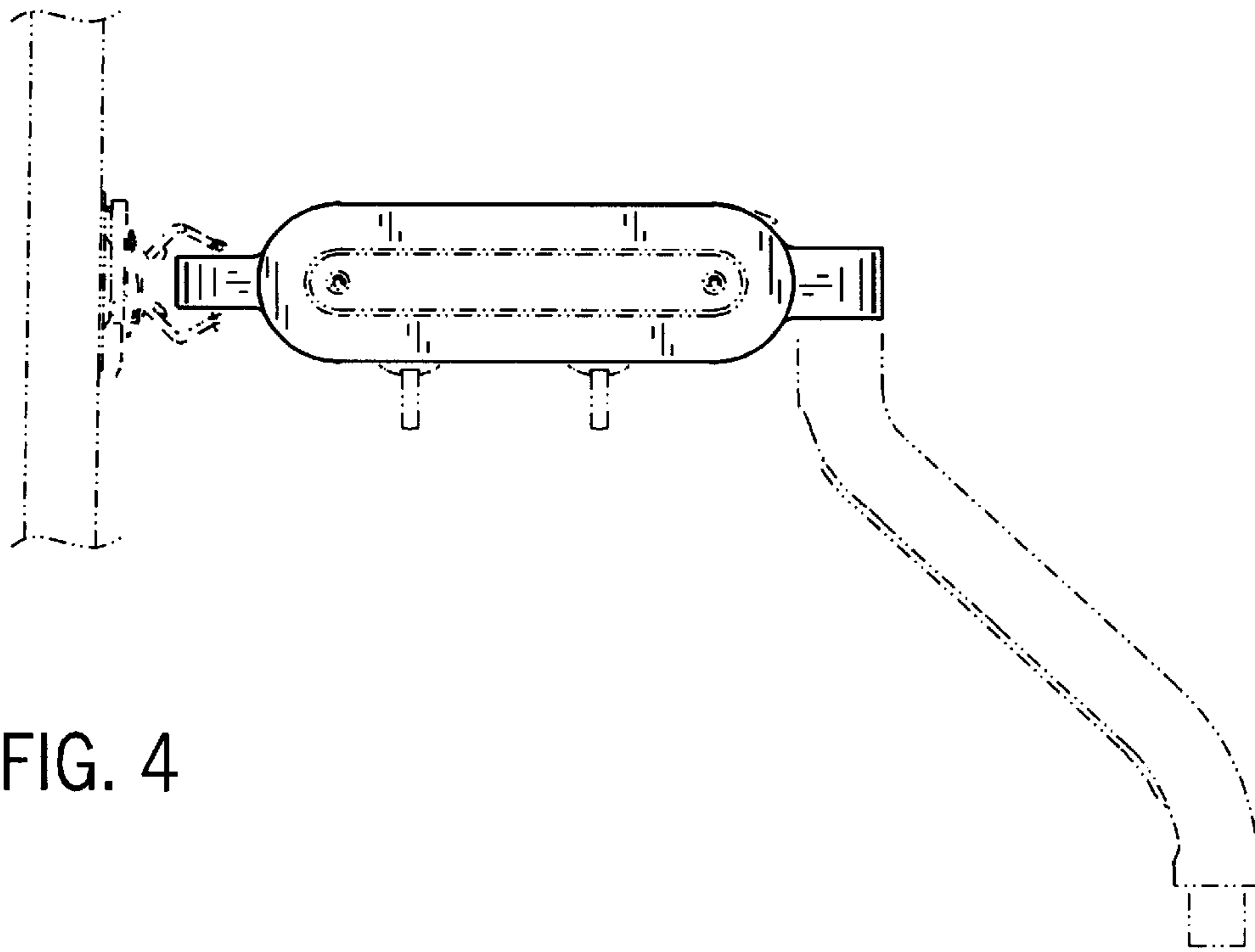


FIG. 4

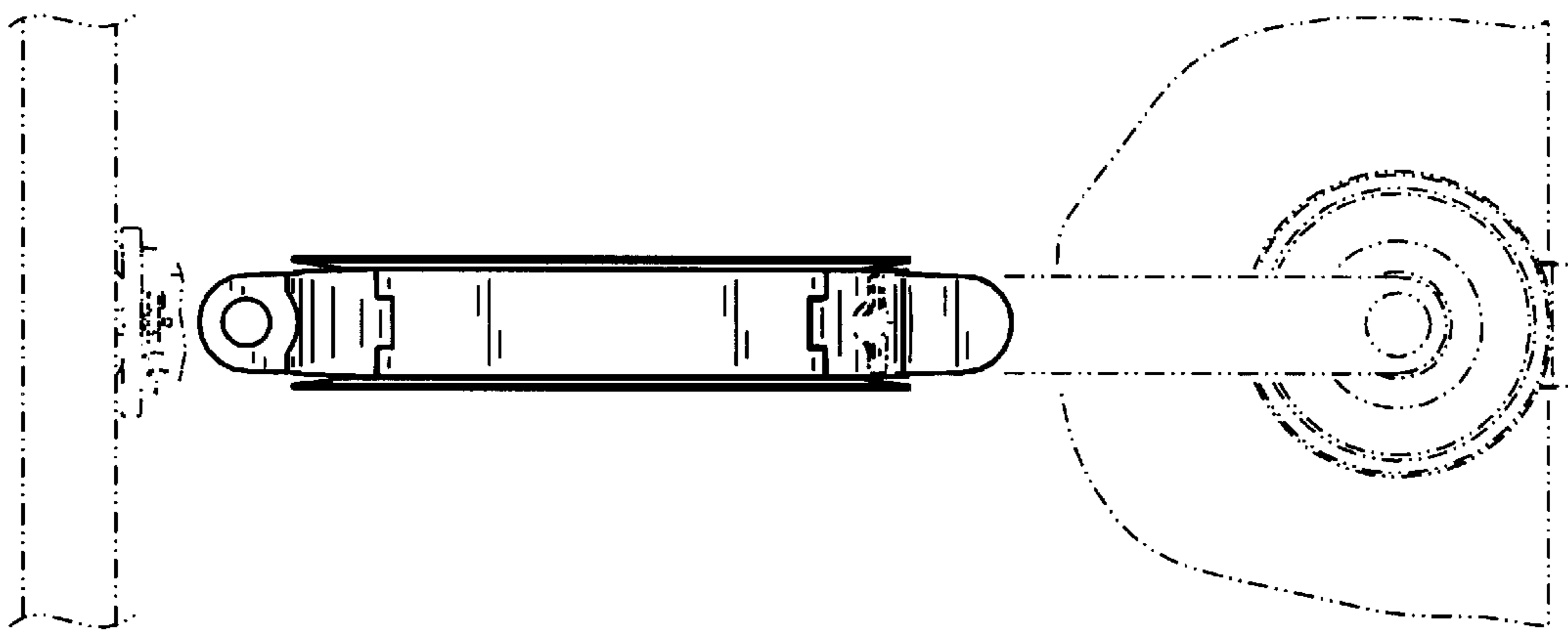


FIG. 6

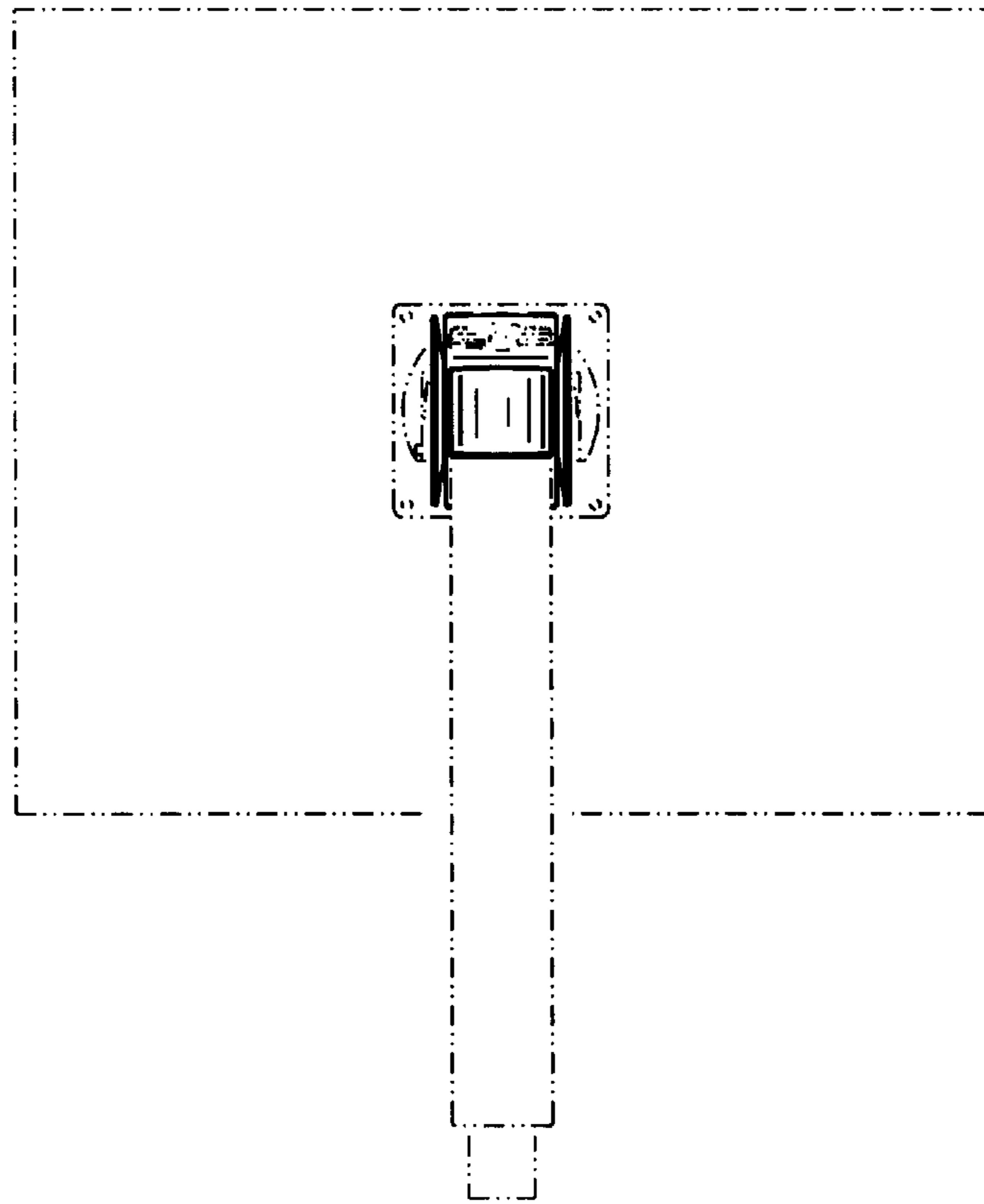


FIG. 5

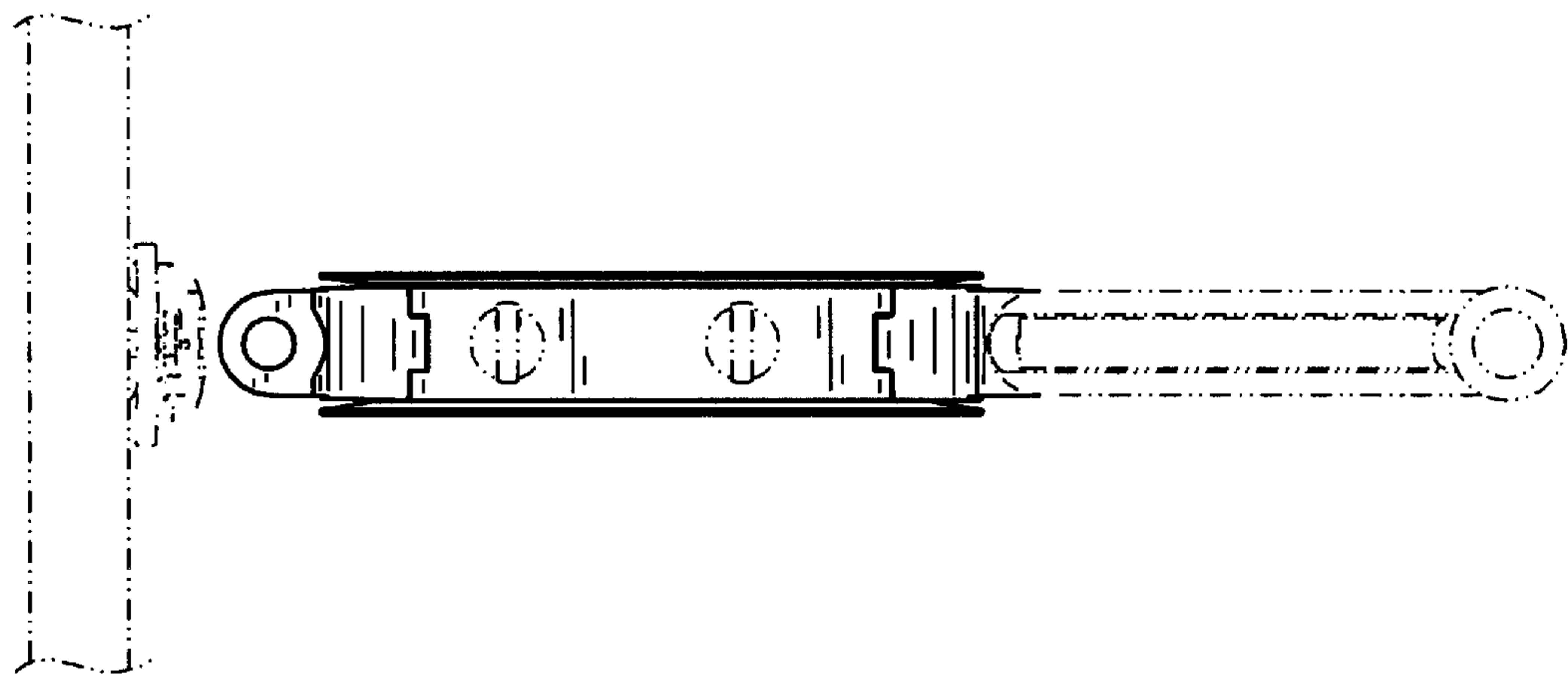


FIG. 7