

US00D520507S

(12) **United States Design Patent**  
**Su et al.**

(10) **Patent No.:** **US D520,507 S**

(45) **Date of Patent:** **\*\* May 9, 2006**

(54) **COMPUTER FRONT BEZEL**

D477,839 S \* 7/2003 Agata ..... D18/41  
D484,139 S \* 12/2003 Burmeister ..... D14/444  
D499,735 S \* 12/2004 Zhang et al. .... D14/444

(75) Inventors: **Tao Su**, Shenzhen (CN); **Chun-Chi Liang**, Tu-Chen (TW); **Yun-Dong Xu**, Shenzhen (CN)

\* cited by examiner

(73) Assignee: **Hon Hai Precision Ind. Co., Ltd.**, Taipei Hsien (TW)

*Primary Examiner*—Freda S. Nunn  
(74) *Attorney, Agent, or Firm*—Wei Te Chung

(\*\*) Term: **14 Years**

(57) **CLAIM**

(21) Appl. No.: **29/220,483**

The ornamental design for a computer front bezel, as shown and described.

(22) Filed: **Dec. 29, 2004**

**DESCRIPTION**

(51) **LOC (8) Cl.** ..... **14-02**

FIG. 1 is a perspective view of a computer front bezel of our new design;

(52) **U.S. Cl.** ..... **D14/444**

FIG. 2 is a front elevational view thereof;

(58) **Field of Classification Search** ..... D14/441-446;

FIG. 3 is a rear elevational view thereof;

D13/162, 184, 199; 312/223.2; 361/680-686,

FIG. 4 is a left side elevational view thereof;

361/690-696; D18/41; 360/92

FIG. 5 is a right side elevational view thereof;

See application file for complete search history.

FIG. 6 is a top plan view thereof;

FIG. 7 is a bottom plan view thereof; and,

(56) **References Cited**

FIG. 8 is a perspective view thereof being mounted to a computer enclosure which is shown in broken lines for illustrative purposes only and forms no part of the claimed design.

**U.S. PATENT DOCUMENTS**

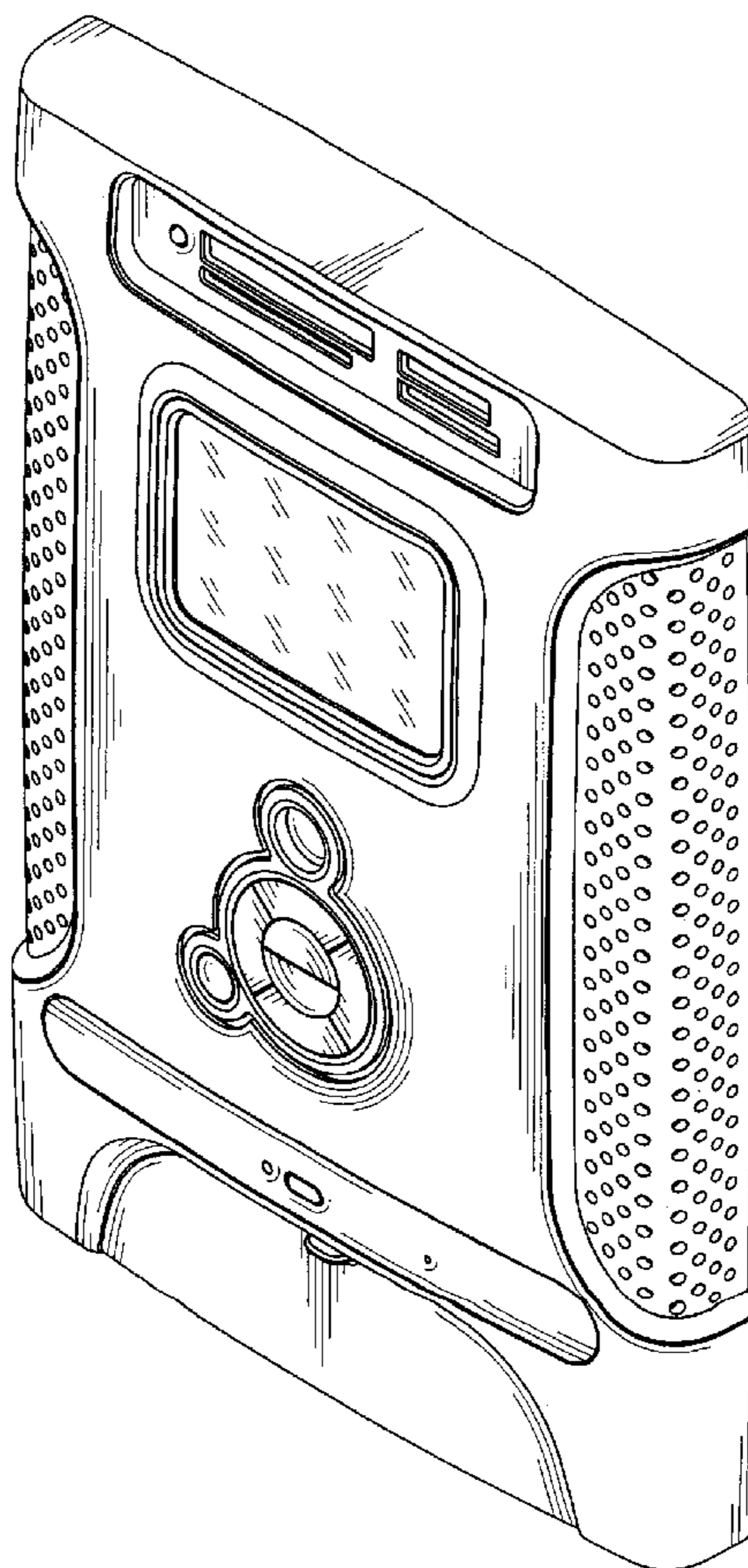
D331,048 S \* 11/1992 Ito et al. .... D14/442

5,781,367 A \* 7/1998 Searle et al. .... 360/92

D425,878 S \* 5/2000 Otis et al. .... D14/444

D429,248 S \* 8/2000 Koken et al. .... D14/441

**1 Claim, 6 Drawing Sheets**



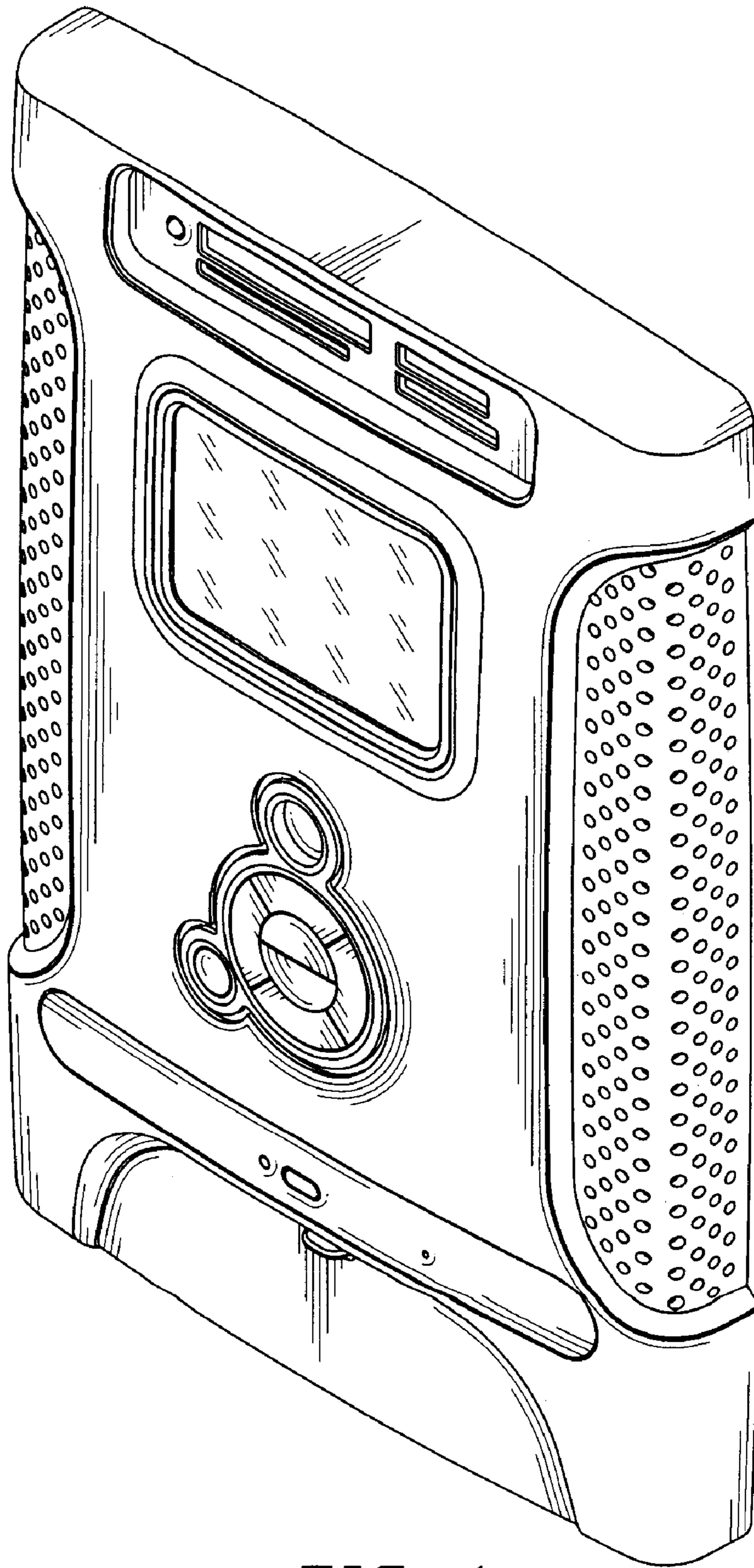


FIG. 1

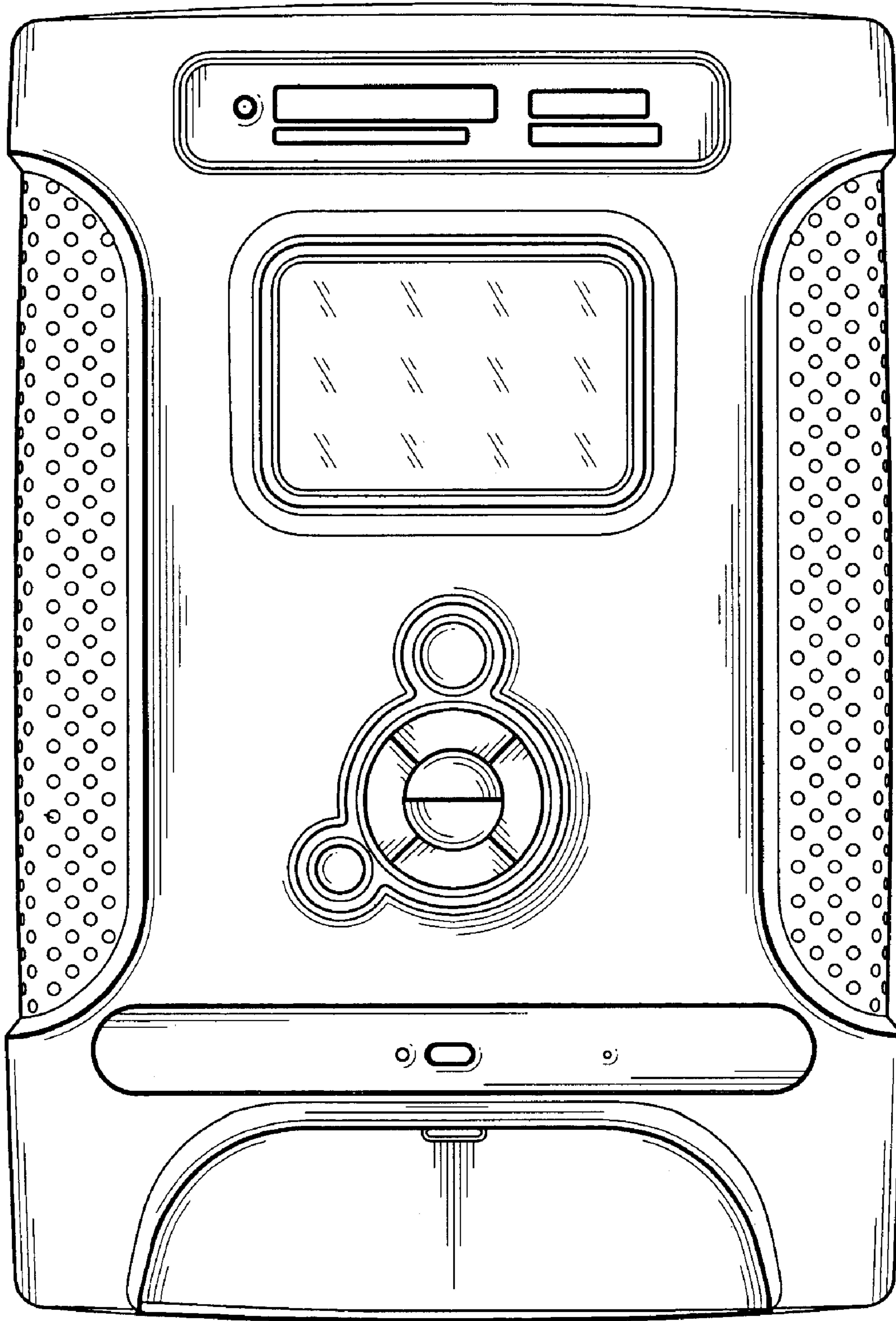


FIG. 2



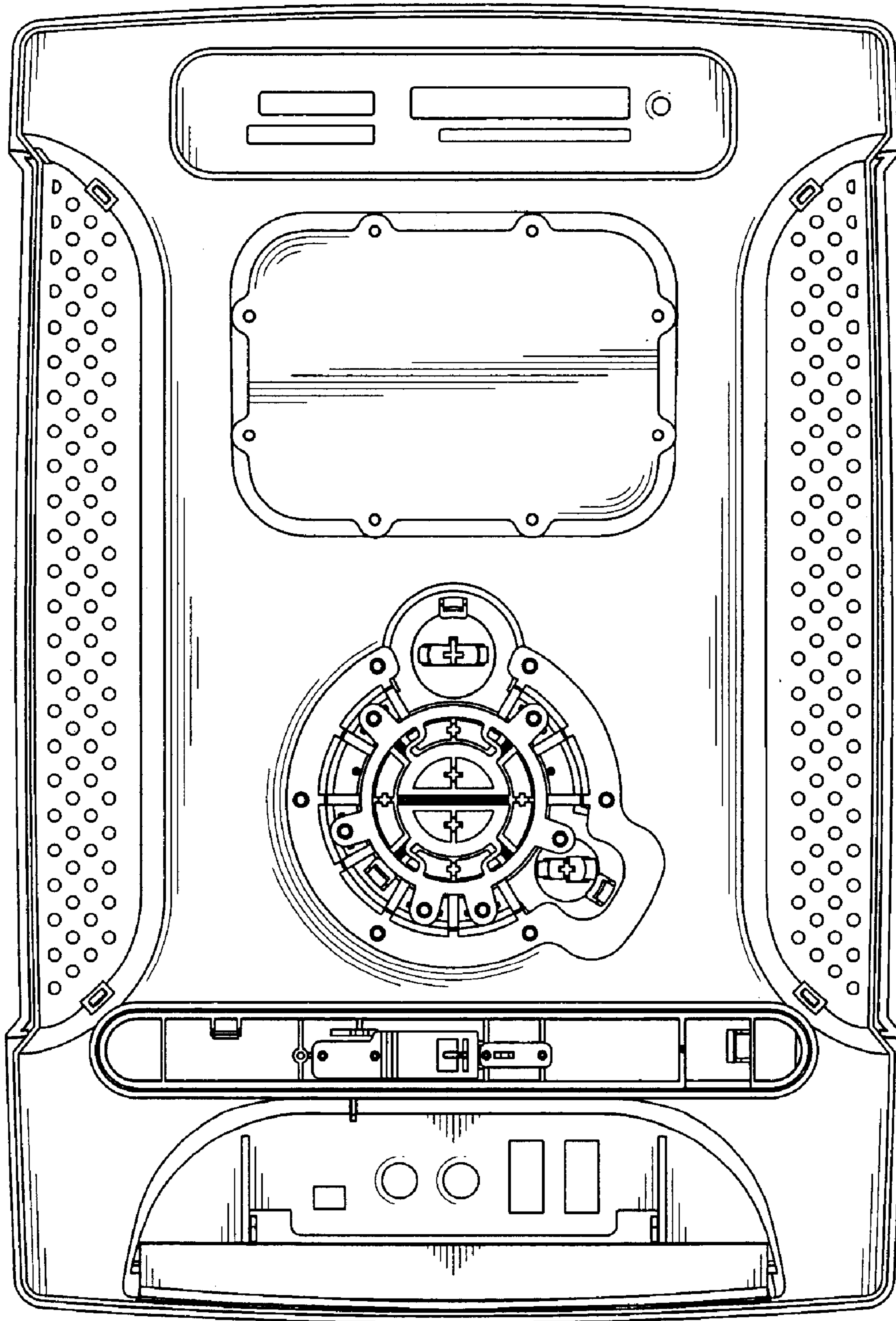


FIG. 3

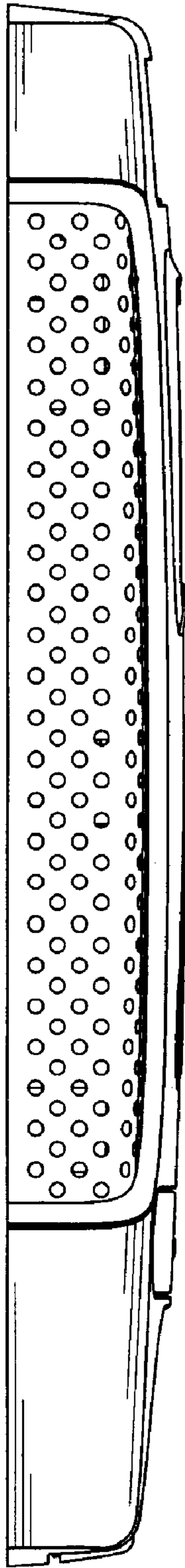


FIG. 4

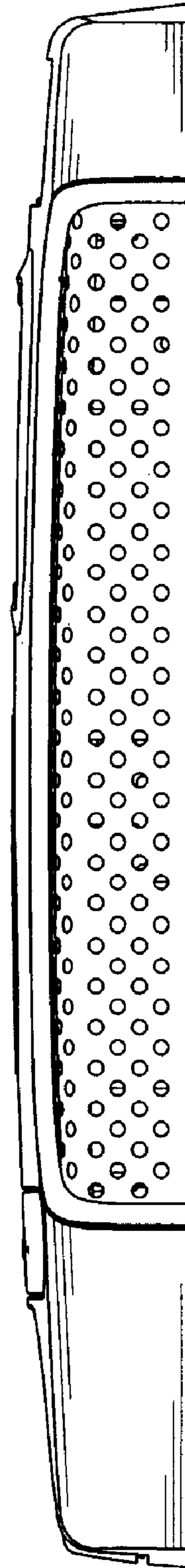


FIG. 5

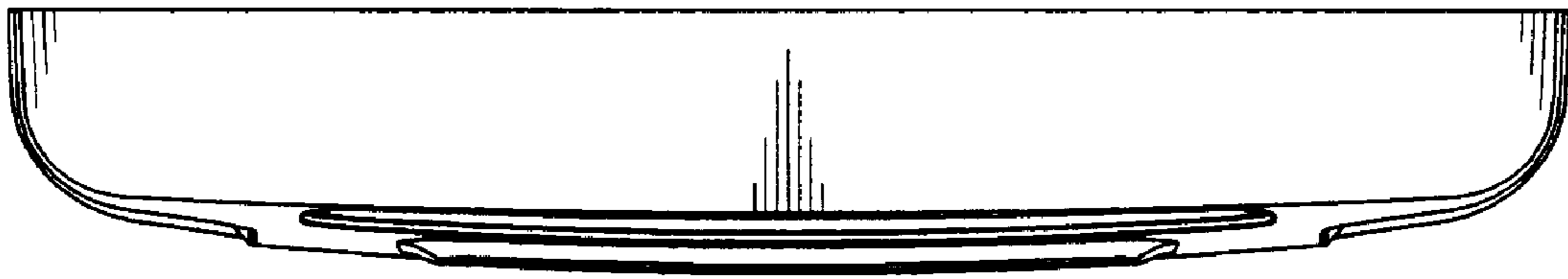


FIG. 6

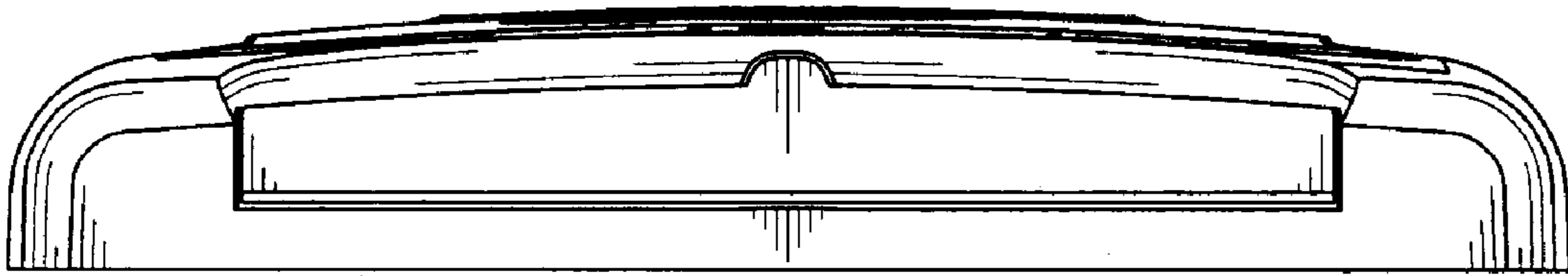


FIG. 7

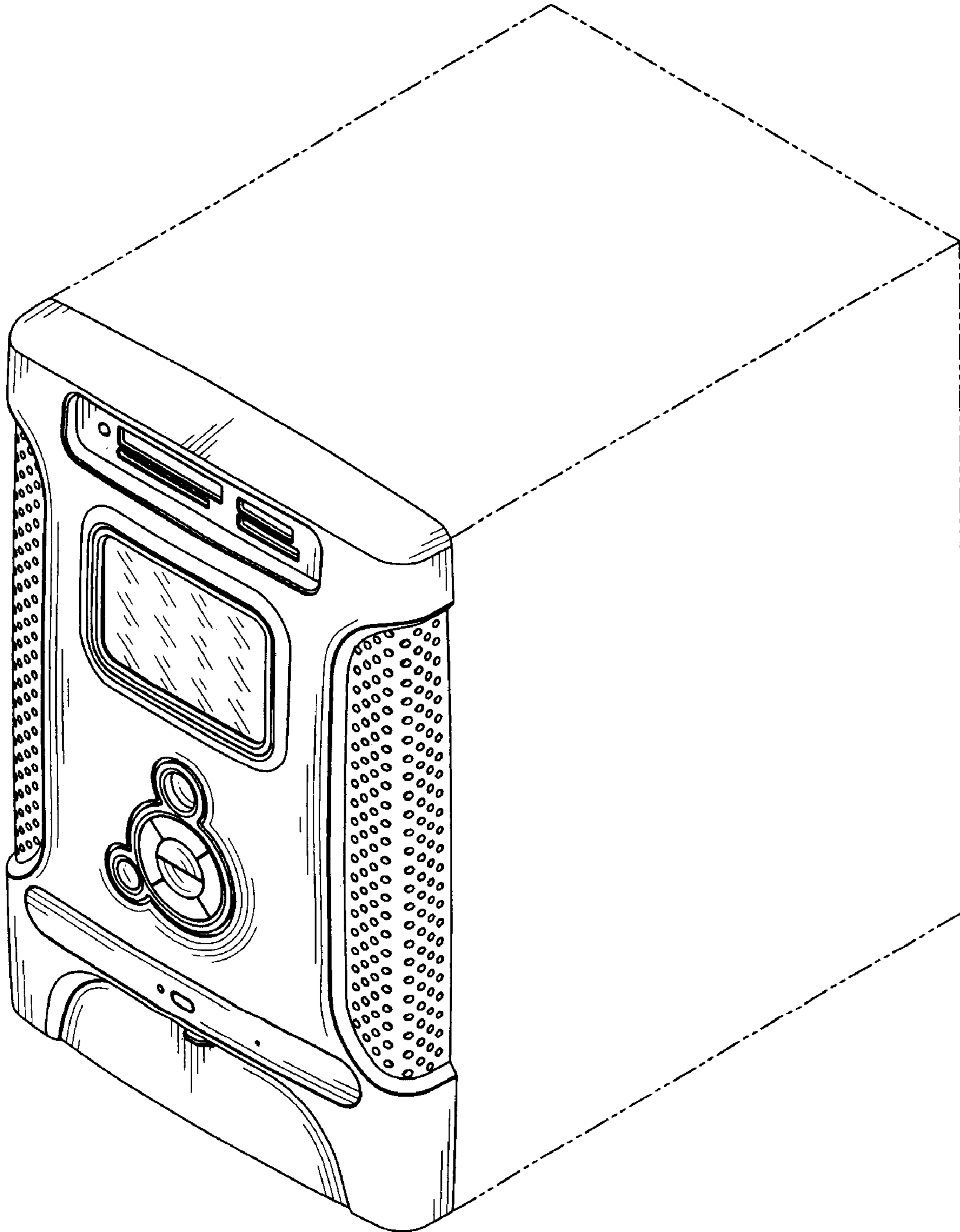


FIG. 8