



US00D520503S

(12) **United States Design Patent**
Shimizu

(10) **Patent No.:** **US D520,503 S**

(45) **Date of Patent:** **** May 9, 2006**

(54) **LINKING DEVICE**

(75) **Inventor:** **Yosuke Shimizu, Tokyo (JP)**

(73) **Assignee:** **Sony Corporation, Tokyo (JP)**

(**) **Term:** **14 Years**

(21) **Appl. No.:** **29/218,149**

(22) **Filed:** **Nov. 30, 2004**

(51) **LOC (8) Cl.** **14-02**

(52) **U.S. Cl.** **D14/358; D14/356**

(58) **Field of Classification Search** D14/137,
D14/142, 240-3, 256, 299, 353, 356-7, 368,
D14/433-5, 156, 167, 301, 319, 323, 348,
D14/359-61, 363, 366-367, 380, 385, 432,
D14/436, 440-2, 444, 447, 496, 332; D13/123,
D13/152, 184; 455/73, 90.3, 151.1-4, 347,
455/554.1, 90.1; 379/413.04; 220/4.01-4.02;
361/360, 365, 369; 710/63, 74; 711/100;
D21/332

See application file for complete search history.

(56) **References Cited**

U.S. PATENT DOCUMENTS

D307,136 S	*	4/1990	Boyer et al.	D14/388
D310,998 S	*	10/1990	Lee et al.	D14/434
D314,183 S	*	1/1991	Wong	D13/160
D364,853 S	*	12/1995	Ojeda	D14/434
D389,810 S	*	1/1998	Brawne et al.	D14/368
D409,203 S		5/1999	Morimiya		

D411,185 S	*	6/1999	Isshiki	D14/358
D414,183 S	*	9/1999	Honjo	D14/156
6,041,956 A	*	3/2000	Kao	220/4.02
D470,848 S		2/2003	Morooka		
D484,129 S		12/2003	Hyogo		
6,687,518 B1	*	2/2004	Park	379/433.01

OTHER PUBLICATIONS

Oct. 24, 2005—<http://www.dlink.com/products/resource.asp?pid=316&rid=1083&sec=0>—published: Oct. 27, 2004.*

* cited by examiner

Primary Examiner—Robin Webster

Assistant Examiner—Karen E. Patterson

(74) *Attorney, Agent, or Firm*—Rader, Fishman & Grauer PLLC

(57) **CLAIM**

The ornamental design for a linking device, as shown.

DESCRIPTION

FIG. 1 is a perspective view of a linking device showing my new design;

FIG. 2 is a front elevational view thereof;

FIG. 3 is a rear elevational view thereof;

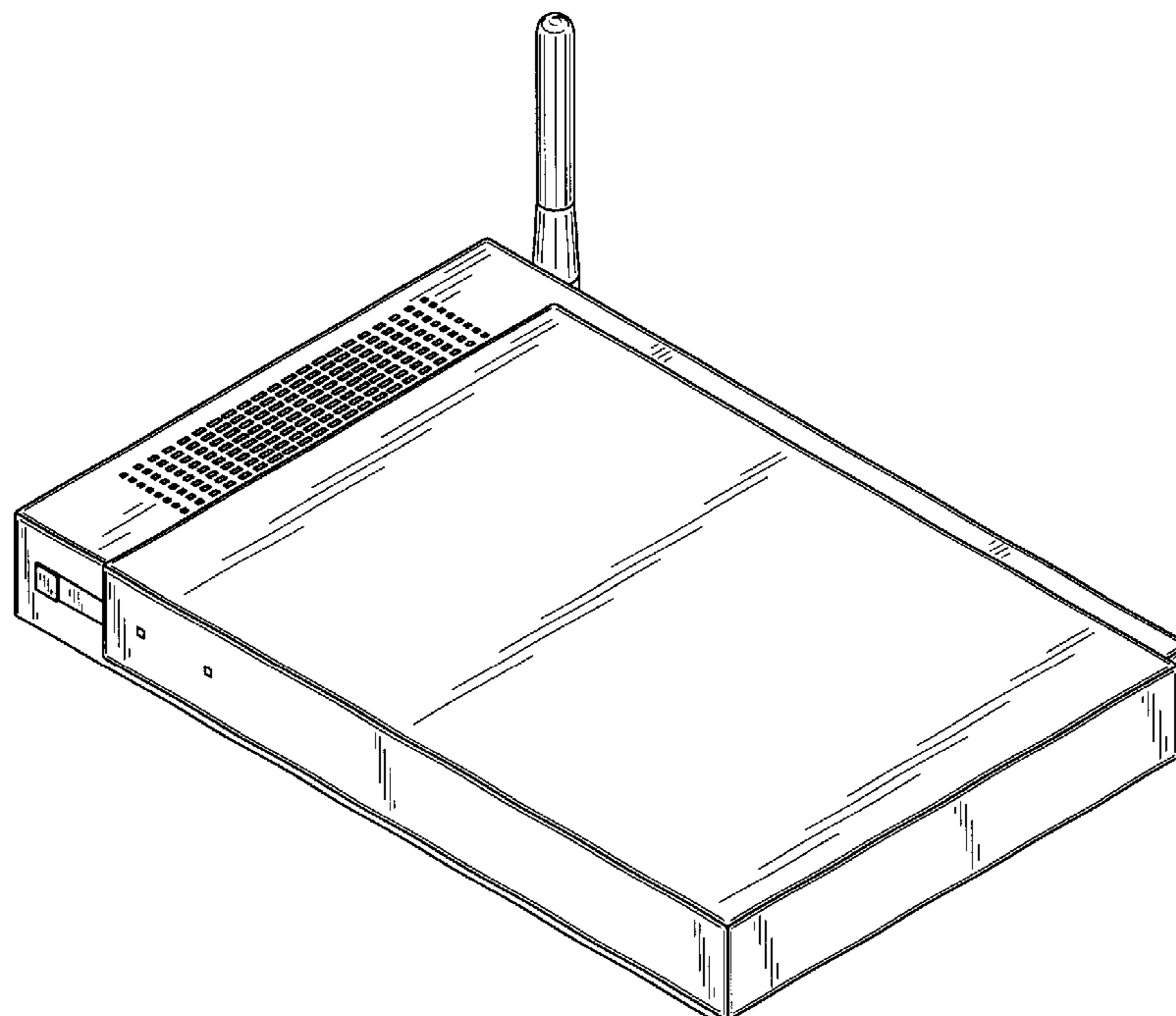
FIG. 4 is a left side elevational view thereof;

FIG. 5 is a right side elevational view thereof;

FIG. 6 is a top plan view thereof; and,

FIG. 7 is a bottom plan view thereof.

1 Claim, 4 Drawing Sheets



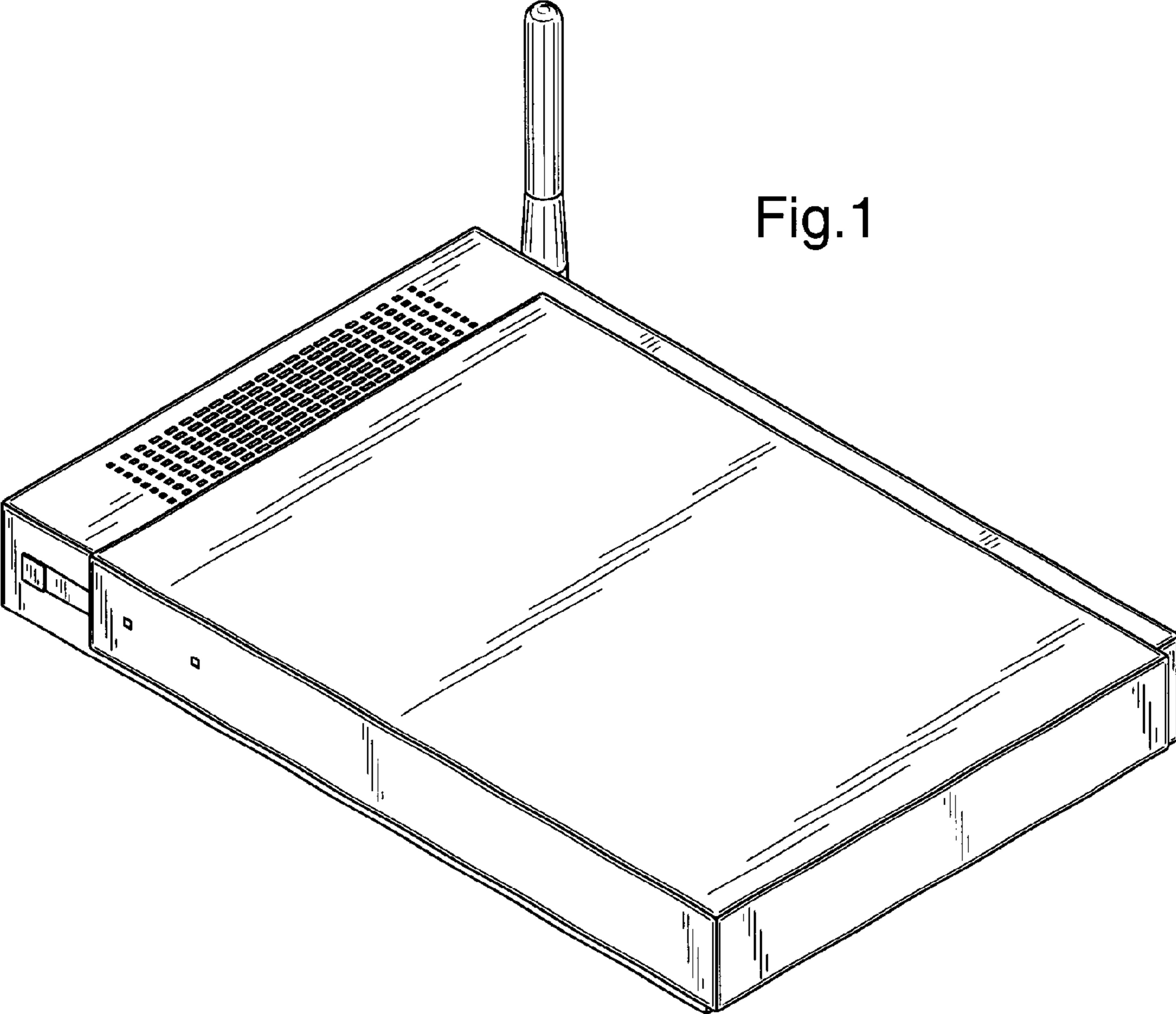


Fig. 1

Fig.2

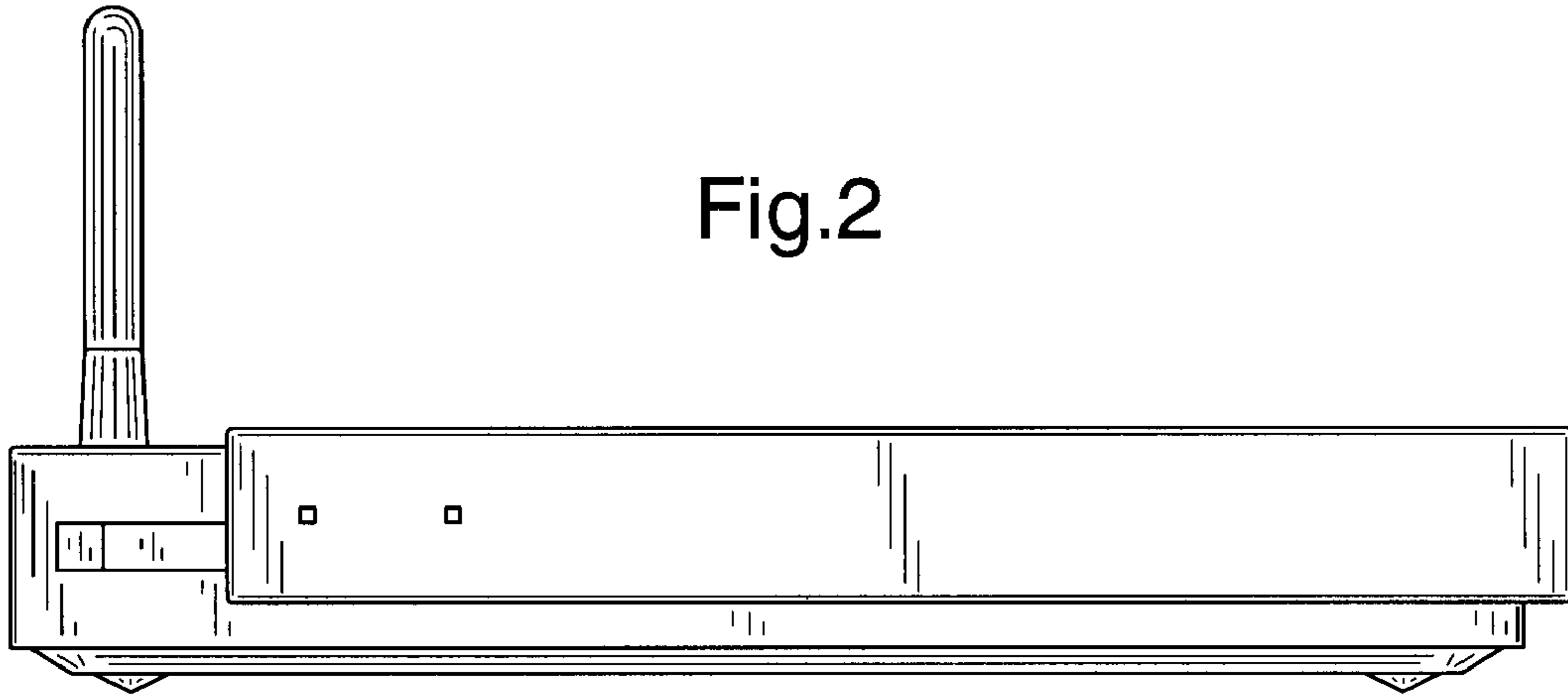


Fig.3

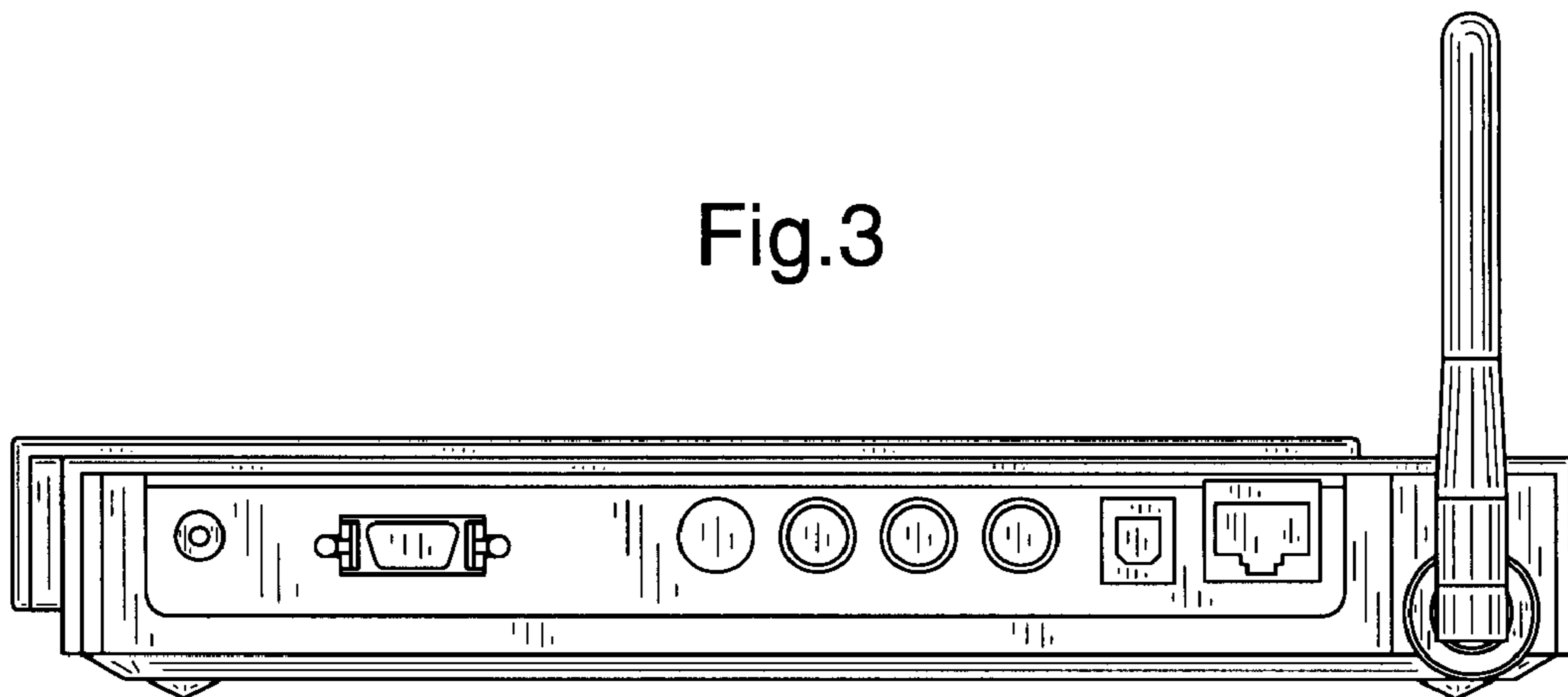


Fig.4

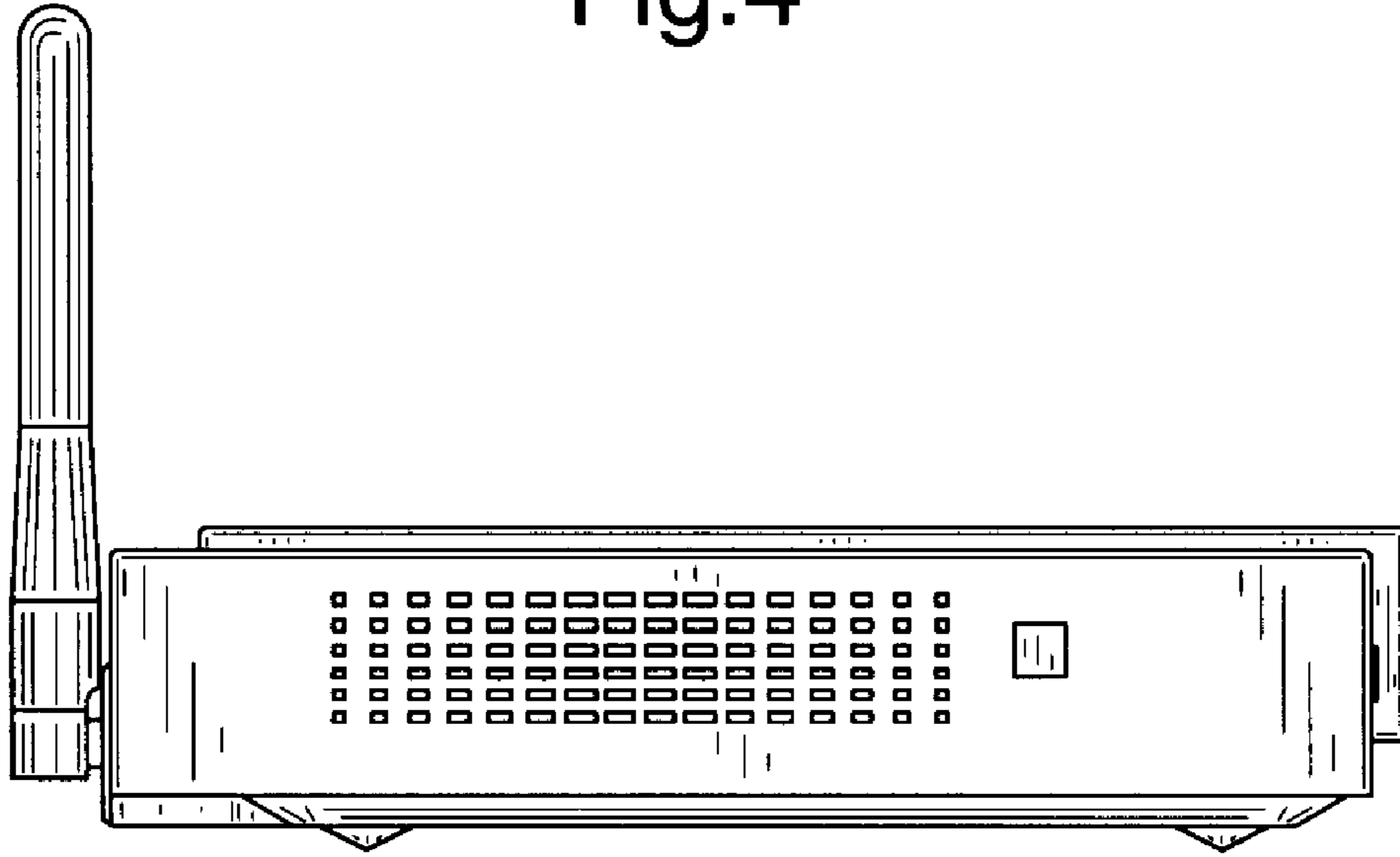


Fig.5

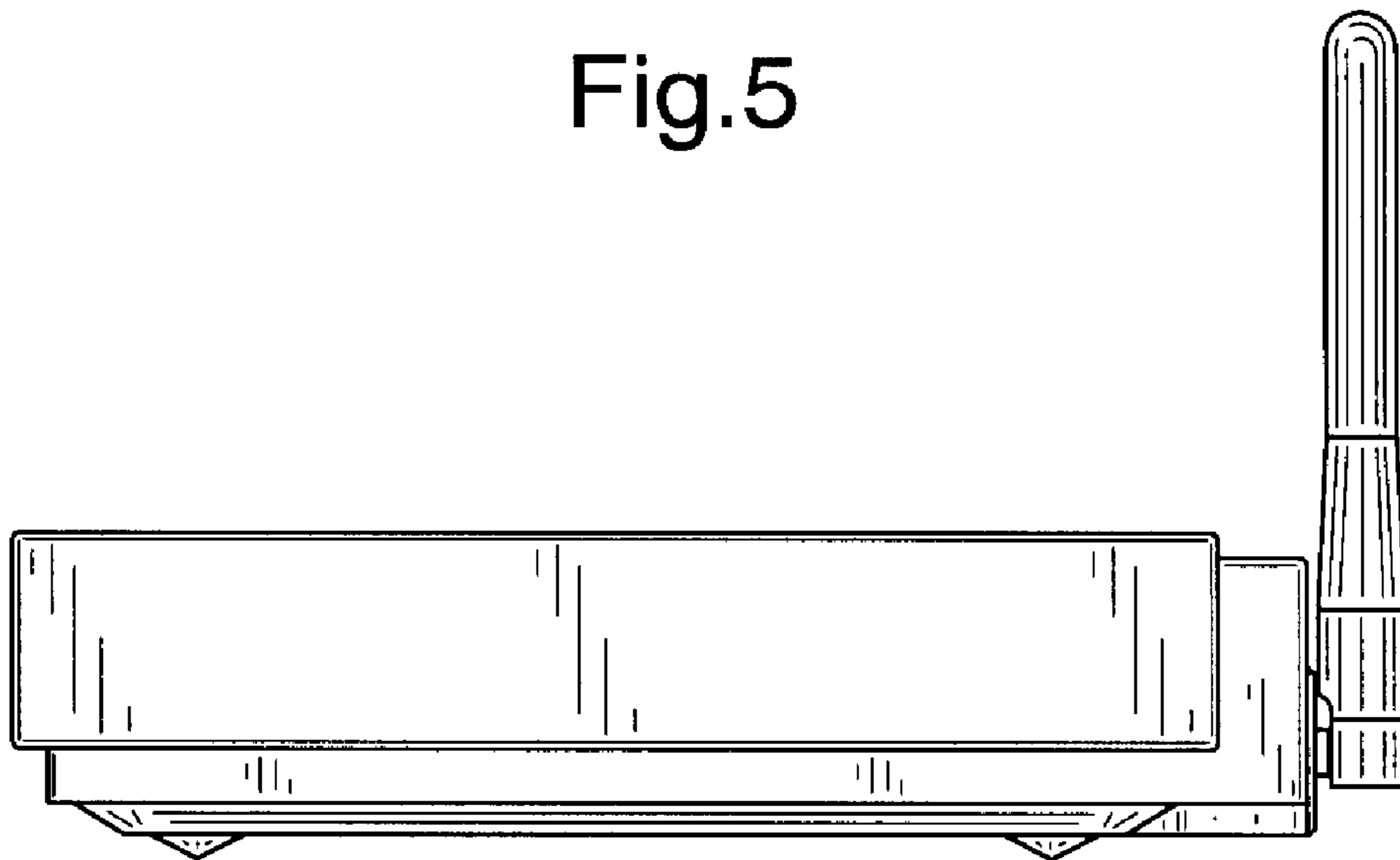


Fig.6

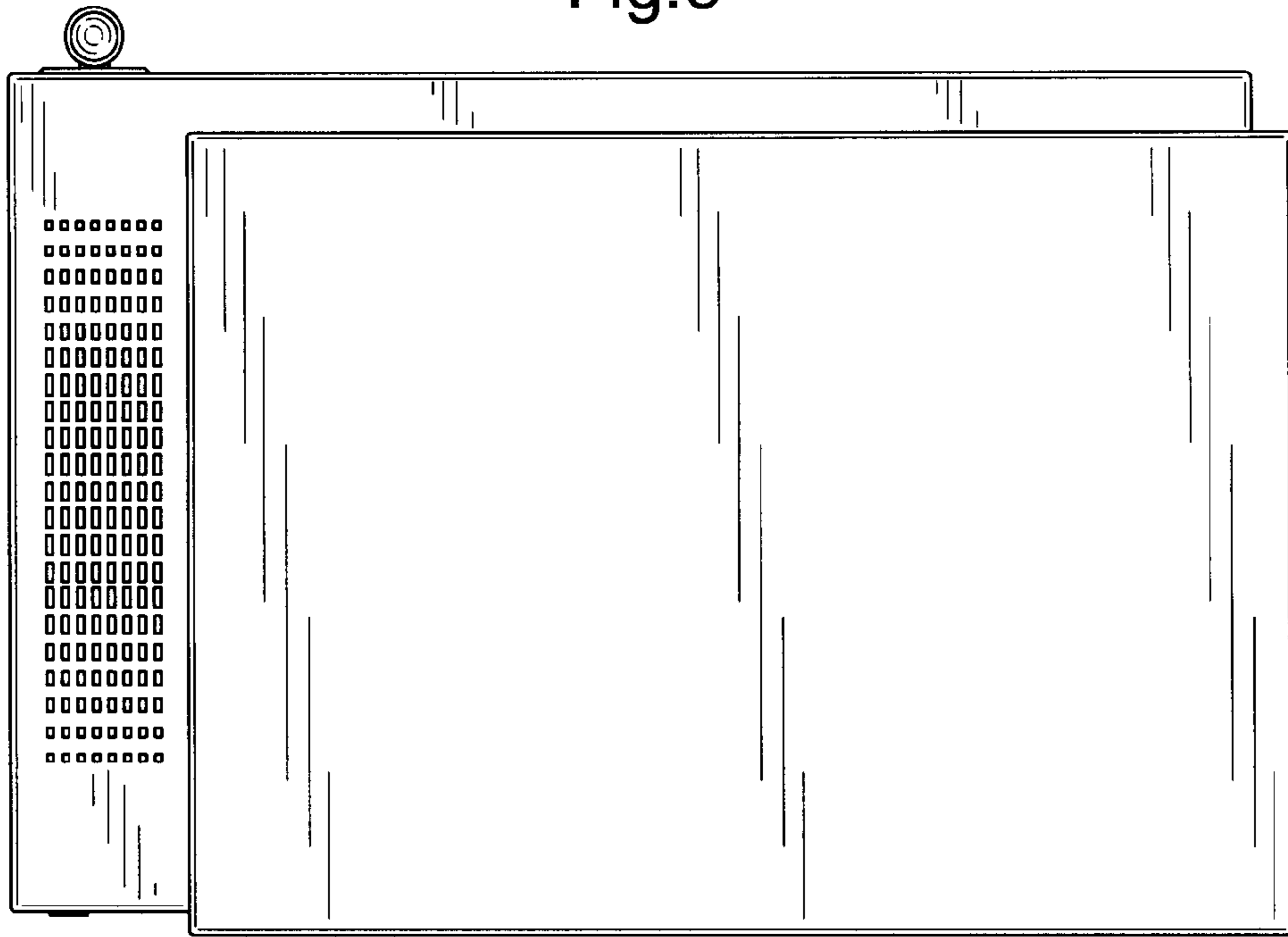


Fig.7

