

US00D520501S

(12) **United States Design Patent** (10) **Patent No.:** **US D520,501 S**  
**Nakano** (45) **Date of Patent:** **\*\* May 9, 2006**

(54) **DISK UNIT CASE**

(75) Inventor: **Kenichi Nakano**, Fukuoka (JP)

(73) Assignee: **Matsushita Electrical Industrial Co., Ltd.**, Osaka (JP)

(\*\*) Term: **14 Years**

(21) Appl. No.: **29/219,090**

(22) Filed: **Dec. 10, 2004**

(30) **Foreign Application Priority Data**

Jun. 11, 2004 (JP) ..... 2004-017493

(51) **LOC (8) Cl.** ..... **14-03**

(52) **U.S. Cl.** ..... **D14/260.1**

(58) **Field of Classification Search** ..... D14/442,  
D14/368, 217, 367, 365, 260.1; 720/653,  
720/652, 651, 650, 616, 613, 611, 610, 609,  
720/603, 601

See application file for complete search history.

(56) **References Cited**

**U.S. PATENT DOCUMENTS**

- D367,278 S \* 2/1996 Moriwaki et al. .... D14/260.1
- D385,261 S \* 10/1997 Akiba ..... D14/260.1
- 5,930,218 A \* 7/1999 Mitsui et al. .... 720/613
- 5,943,309 A 8/1999 Watanabe
- 6,320,835 B1 \* 11/2001 Kamei ..... 720/653
- 6,473,382 B1 \* 10/2002 Tagawa et al. .... 720/616
- 6,552,989 B1 \* 4/2003 Morinaga ..... 720/607
- 6,577,577 B1 \* 6/2003 Watanabe et al. .... 720/603
- 6,862,738 B1 \* 3/2005 Wu et al. .... 720/651
- 2001/0026520 A1 10/2001 Watanabe et al.
- 2002/0034146 A1 \* 3/2002 Morinaga ..... 369/75.2
- 2003/0072243 A1 \* 4/2003 Yeh et al. .... 369/75.2
- 2003/0142610 A1 \* 7/2003 Yeh et al. .... 369/75.2
- 2003/0152011 A1 \* 8/2003 Yeh ..... 369/75.2
- 2003/0202447 A1 \* 10/2003 Watanabe et al. .... 369/75.2
- 2004/0042371 A1 \* 3/2004 Lee ..... 369/75.2
- 2004/0093609 A1 \* 5/2004 Choi ..... 720/601

- 2004/0117807 A1 \* 6/2004 Takahashi et al. .... 720/610
- 2004/0148614 A1 \* 7/2004 Bae ..... 720/601
- 2004/0163094 A1 \* 8/2004 Matsui et al. .... 720/650
- 2004/0187142 A1 9/2004 Namiki et al.
- 2004/0261088 A1 \* 12/2004 Hsu et al. .... 720/601
- 2005/0010937 A1 \* 1/2005 Chen et al. .... 720/610
- 2005/0076346 A1 \* 4/2005 Matsumoto et al. .... 720/601

**FOREIGN PATENT DOCUMENTS**

- JP D948711 3/1996
- JP D949293-1 3/1996
- JP D1066428 4/2000
- JP D1067893 4/2000
- JP D1198837 3/2004

\* cited by examiner

*Primary Examiner*—Cathron C. Brooks

*Assistant Examiner*—Austin Murphy

(74) *Attorney, Agent, or Firm*—Brinks Hofer Gilson & Lione

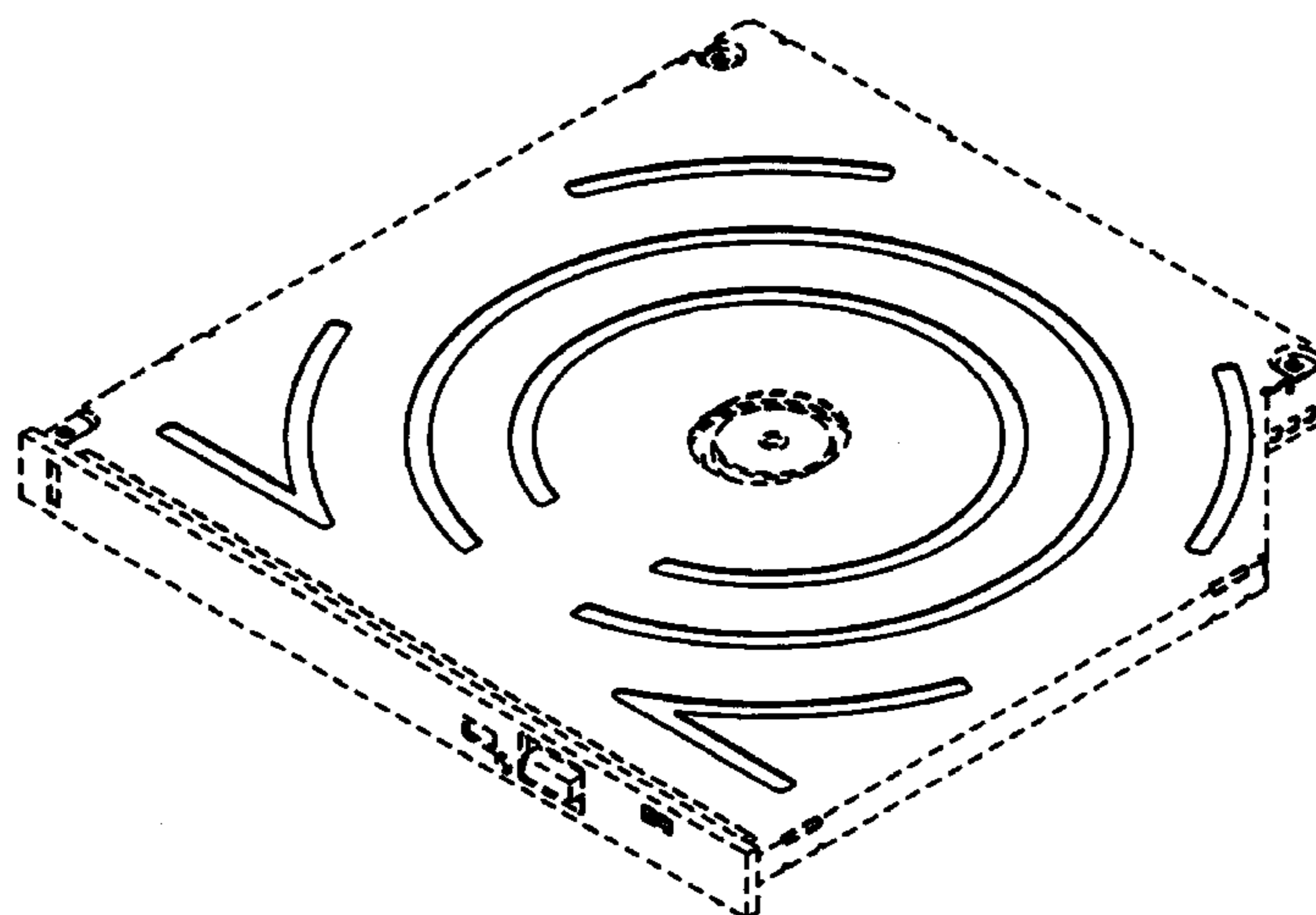
(57) **CLAIM**

I claim the ornamental design for a tray for a disk unit case, as shown and described.

**DESCRIPTION**

FIG. 1 is a top perspective view of a tray for a disk unit case of the present invention;  
 FIG. 2 is a top view thereof;  
 FIG. 3 is a front view thereof;  
 FIG. 4 is a rear view thereof;  
 FIG. 5 is a first side view thereof;  
 FIG. 6 is a second side view thereof;  
 FIG. 7 is a bottom view thereof; and,  
 FIG. 8 is a top perspective view of the tray for a disk unit case of FIG. 1 shown in an open position.  
 The ornamental design which is claimed is shown in solid lines in the drawings. Any broken lines in the drawings are for illustrative purposes only and form no part of the claimed design.

**1 Claim, 8 Drawing Sheets**



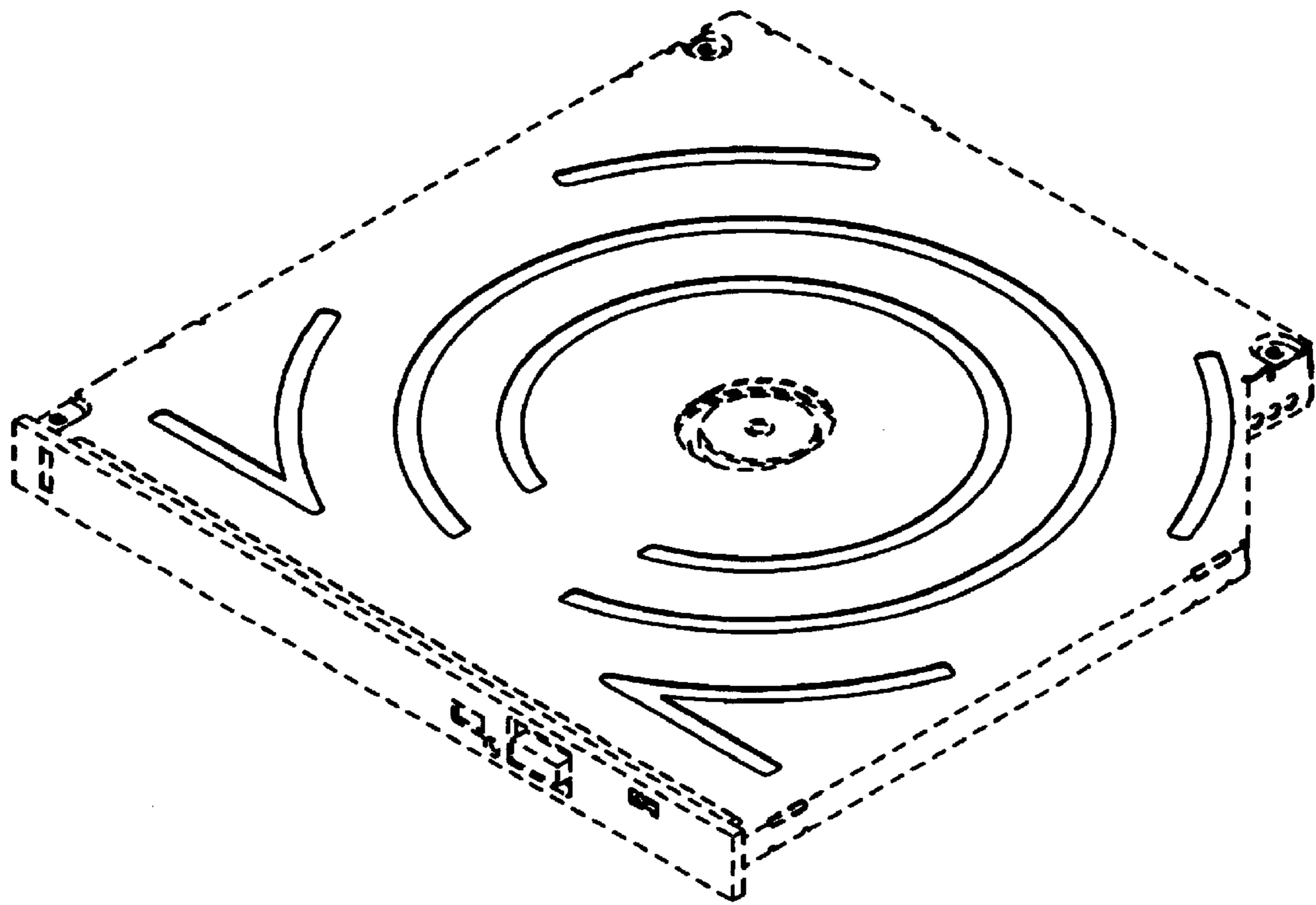


FIG. 1

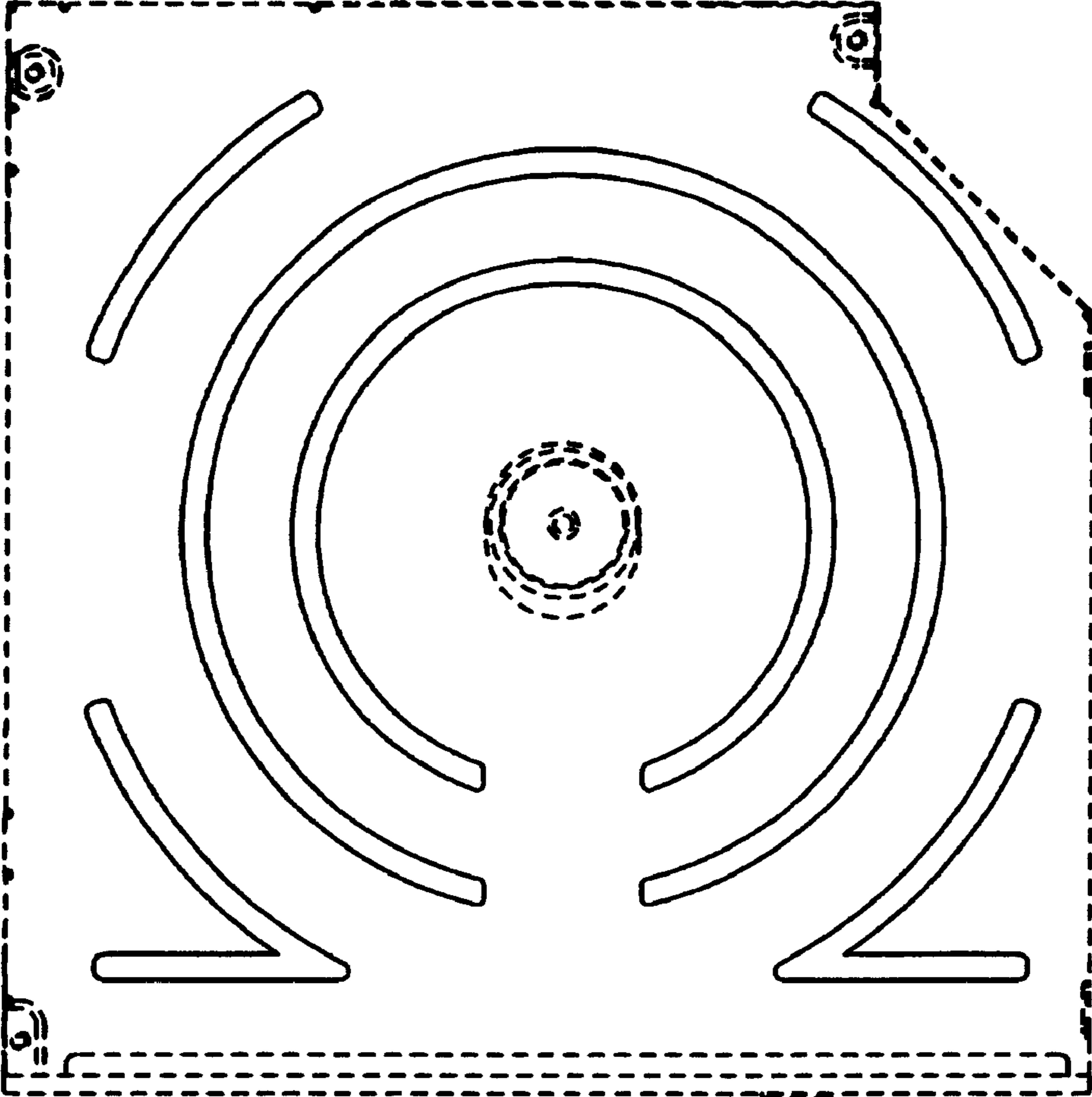


FIG. 2



**FIG. 3**

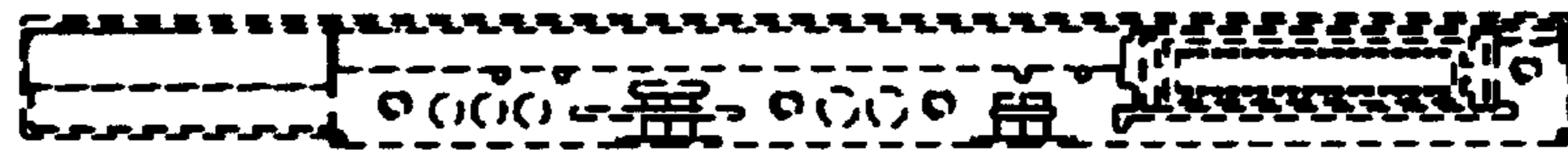
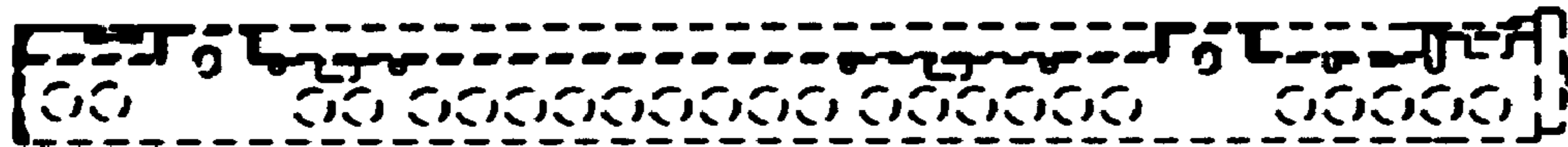
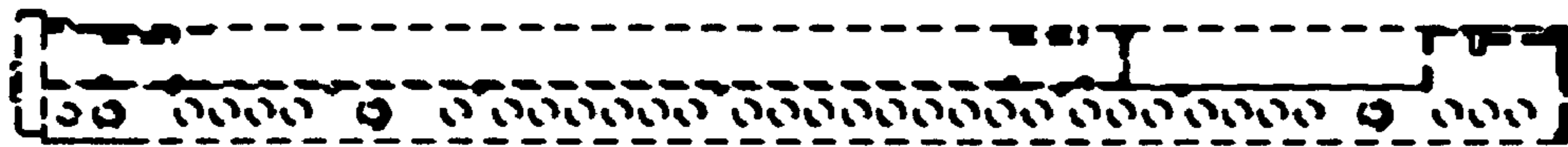


FIG. 4



**FIG. 5**



**FIG. 6**





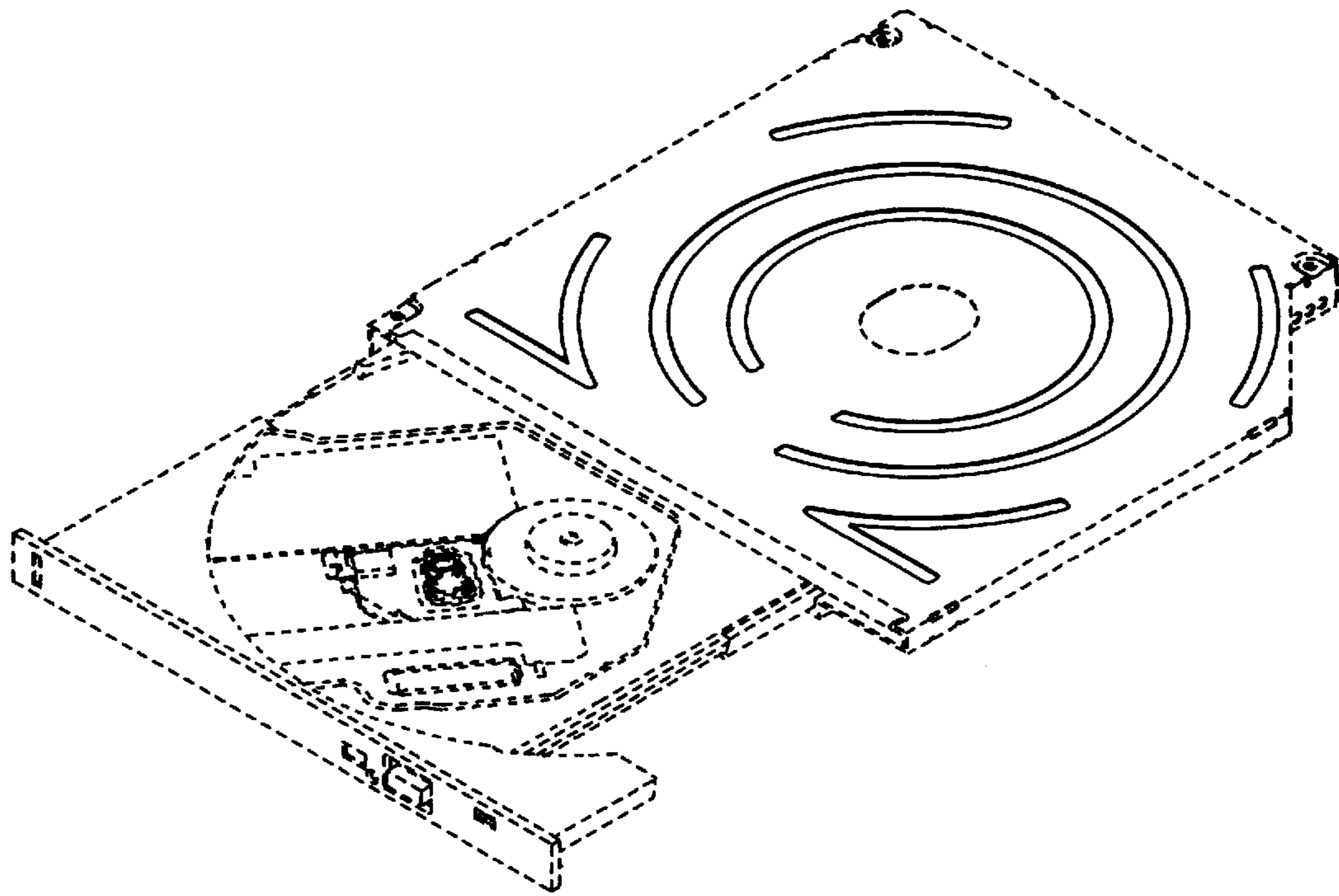


FIG. 8