



US00D520499S

(12) **United States Design Patent**  
**Nagatomi**

(10) **Patent No.:** **US D520,499 S**

(45) **Date of Patent:** **\*\* May 9, 2006**

(54) **ANTENNA**

(75) **Inventor:** **Akihiko Nagatomi, Kobe (JP)**

(73) **Assignee:** **DX Antenna Company, Limited,**  
**Hyogo pref. (JP)**

(\*\*) **Term:** **14 Years**

(21) **Appl. No.:** **29/208,619**

(22) **Filed:** **Jul. 2, 2004**

(51) **LOC (8) Cl. .... 14-03**

(52) **U.S. Cl. .... D14/233**

(58) **Field of Classification Search** ..... D14/137,  
D14/138, 230-238, 299, 358; D12/42, 43;  
343/700 R-705, 871-908, 795, 840, 711-713,  
343/819, 846; 455/90.2, 90.3, 91, 128, 269,  
455/344, 347, 562.1

See application file for complete search history.

(56) **References Cited**

**U.S. PATENT DOCUMENTS**

1,684,262 A \* 9/1928 Clinker ..... 343/871  
D440,961 S 4/2001 Inoue  
D487,892 S \* 3/2004 Ogura ..... D14/358

**OTHER PUBLICATIONS**

Co-pending U.S. Appl. No. 29/200,454, filed Mar. 1, 2004,  
entitled "ANTENNA".

\* cited by examiner

*Primary Examiner*—Louis S. Zarfes

*Assistant Examiner*—John Windmuller

(74) *Attorney, Agent, or Firm*—Wenderoth, Lind & Ponack,  
L.L.P.

(57) **CLAIM**

The ornamental design for an antenna, as shown and  
described.

**DESCRIPTION**

FIG. 1 is a front elevational view of the antenna;  
FIG. 2 is a rear elevational view of the antenna;  
FIG. 3 is a right-side elevational of the antenna;  
FIG. 4 is a left-side elevational view of the antenna;  
FIG. 5 is a top plan view of the antenna;  
FIG. 6 is a bottom plan view of the antenna;  
FIG. 7 is a perspective view of the antenna; and,  
FIG. 8 is another perspective view of the antenna.

**1 Claim, 6 Drawing Sheets**

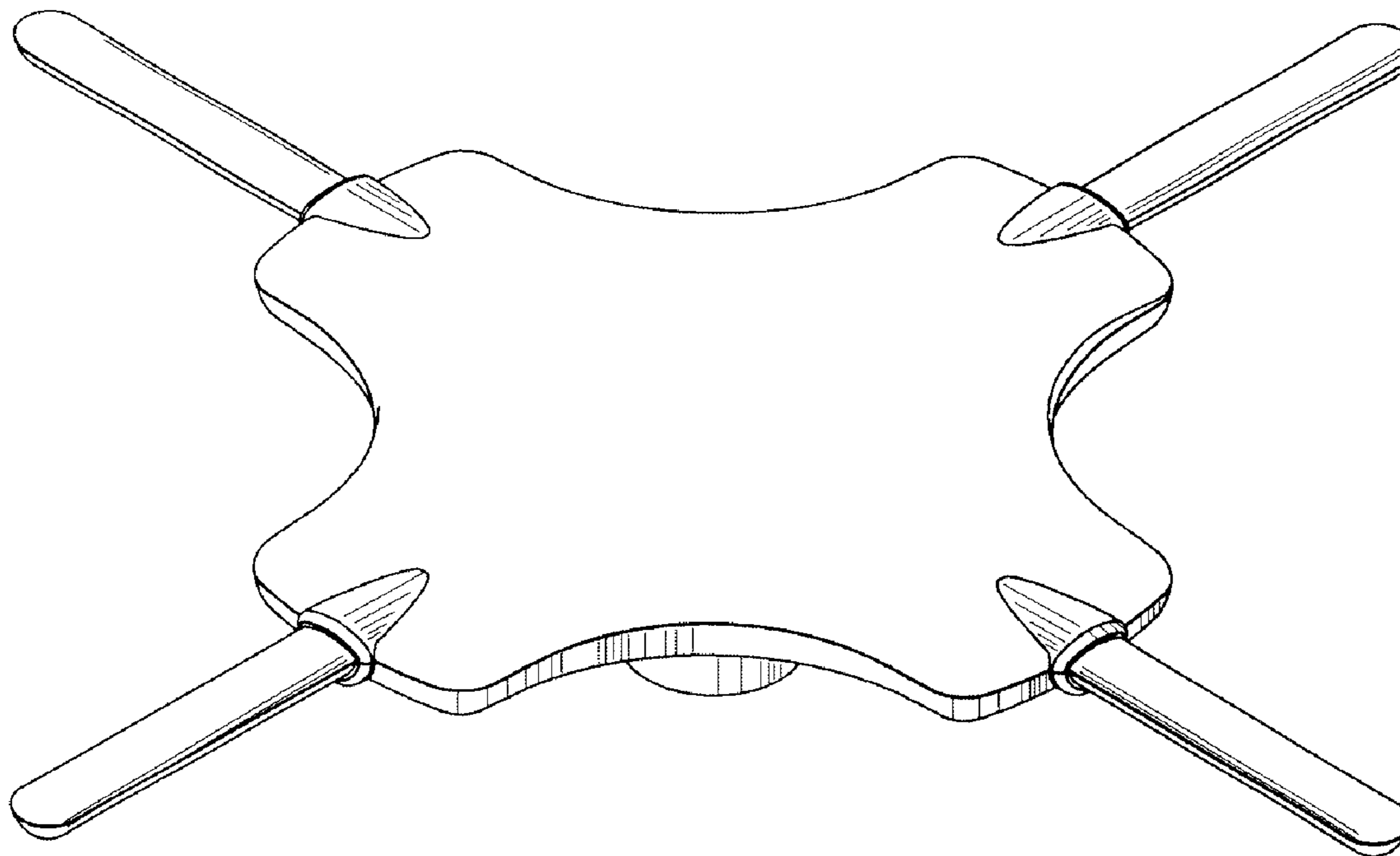


Fig. 1

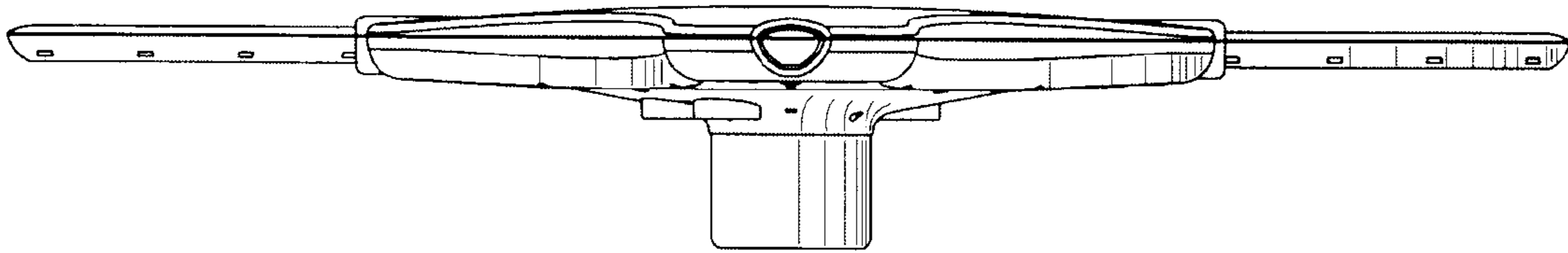


Fig. 2

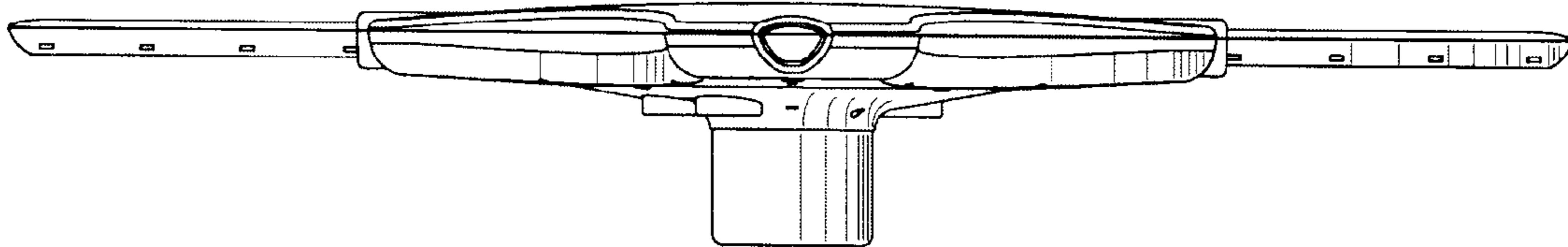


Fig. 3

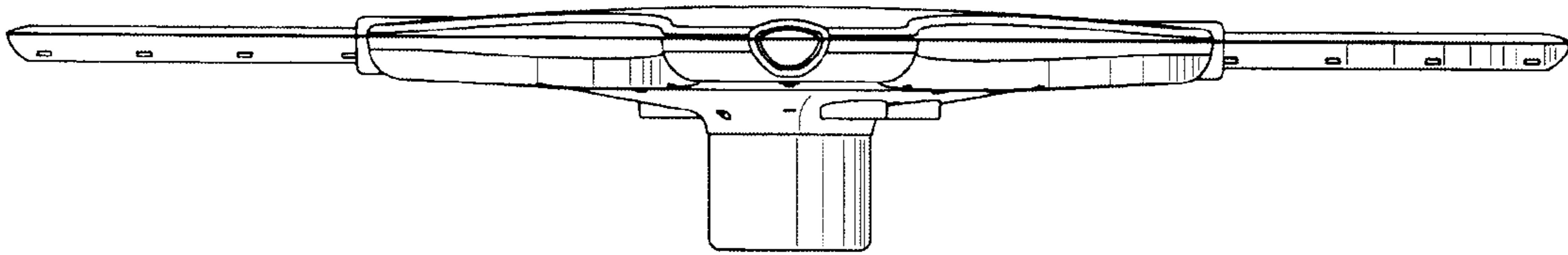


Fig. 4

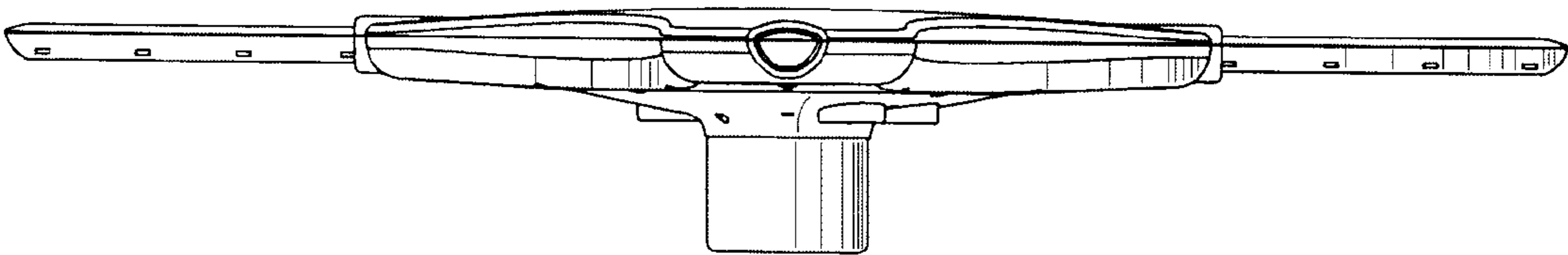


Fig. 5

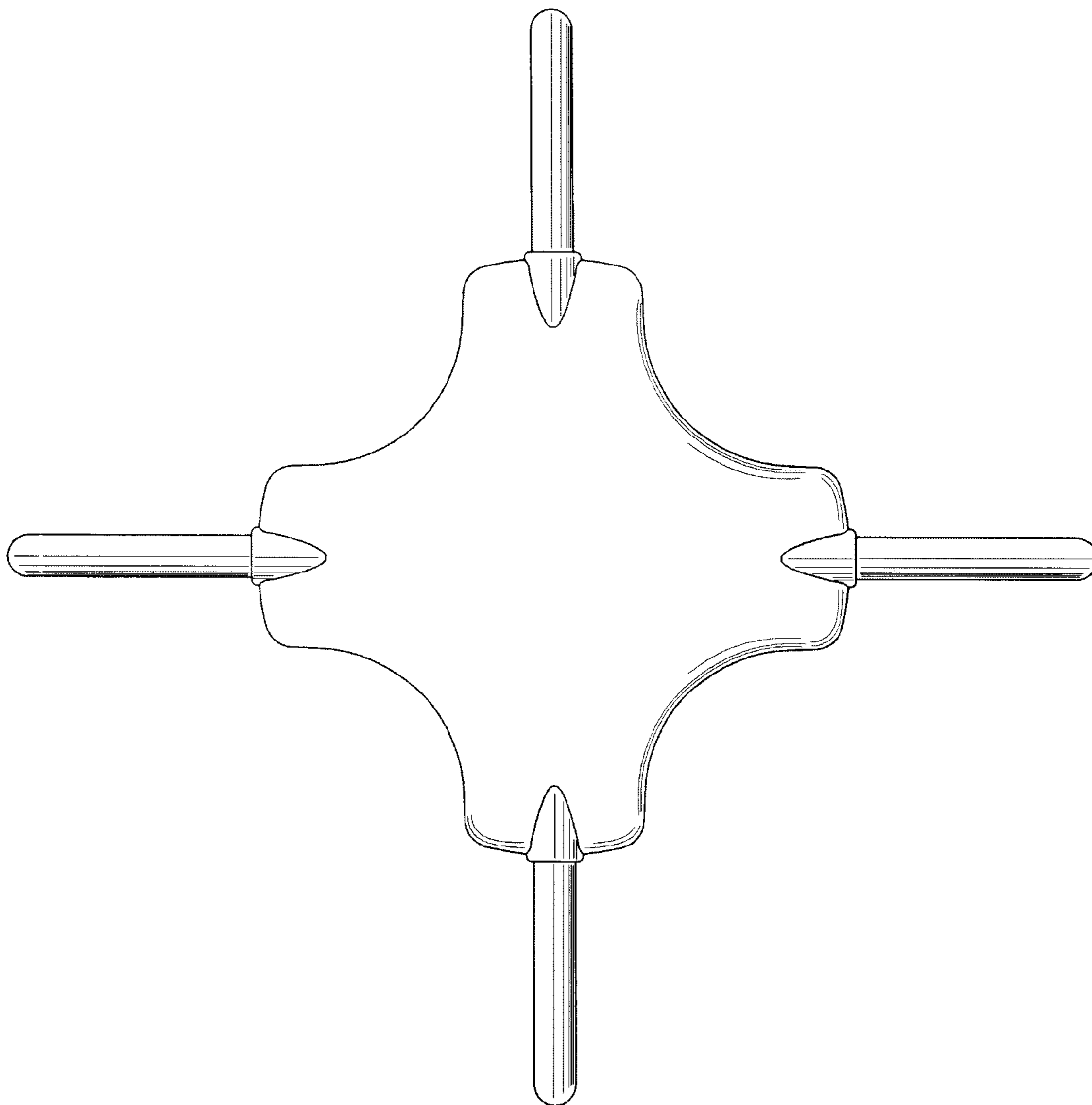


Fig. 6

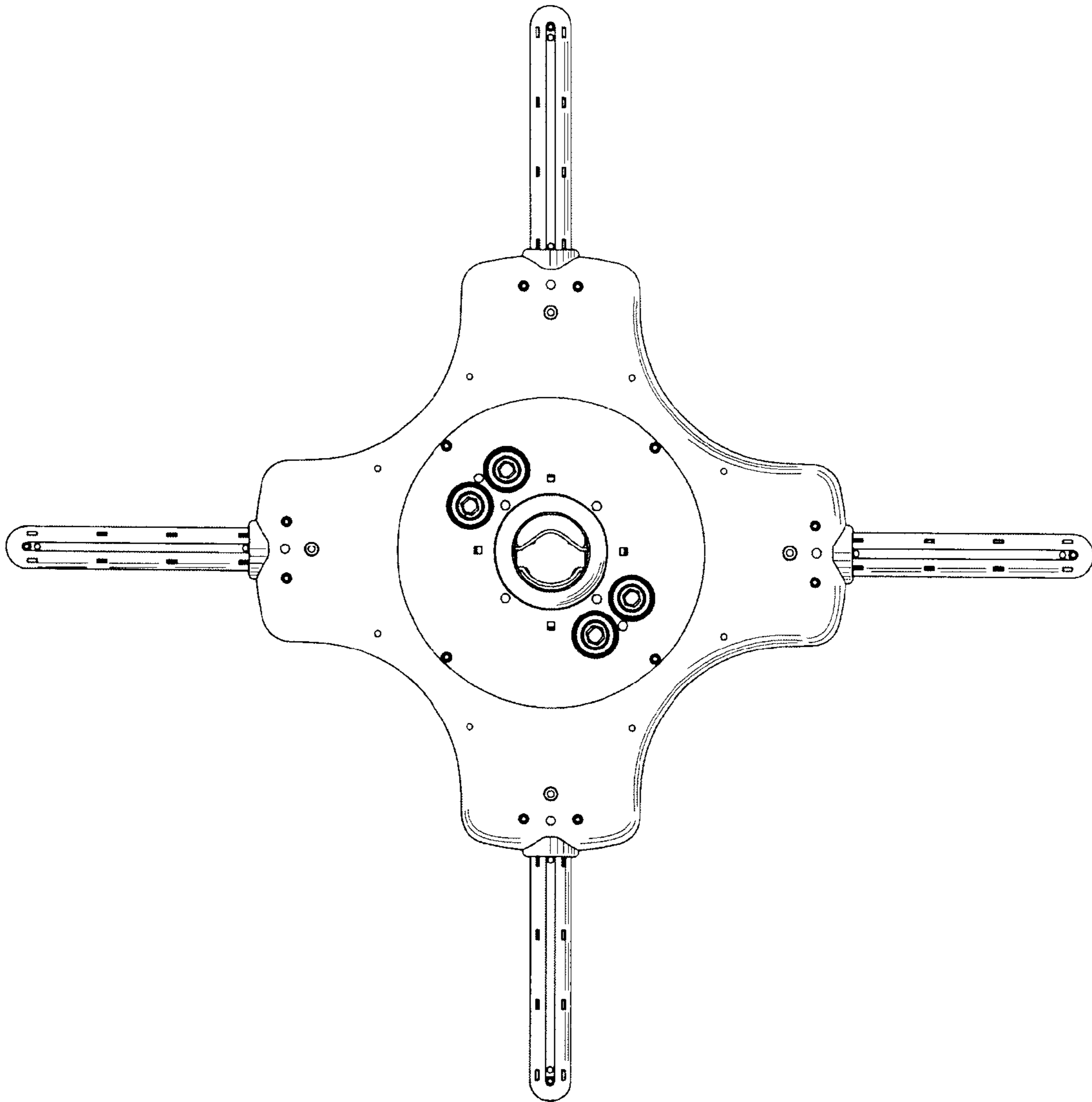


Fig. 7

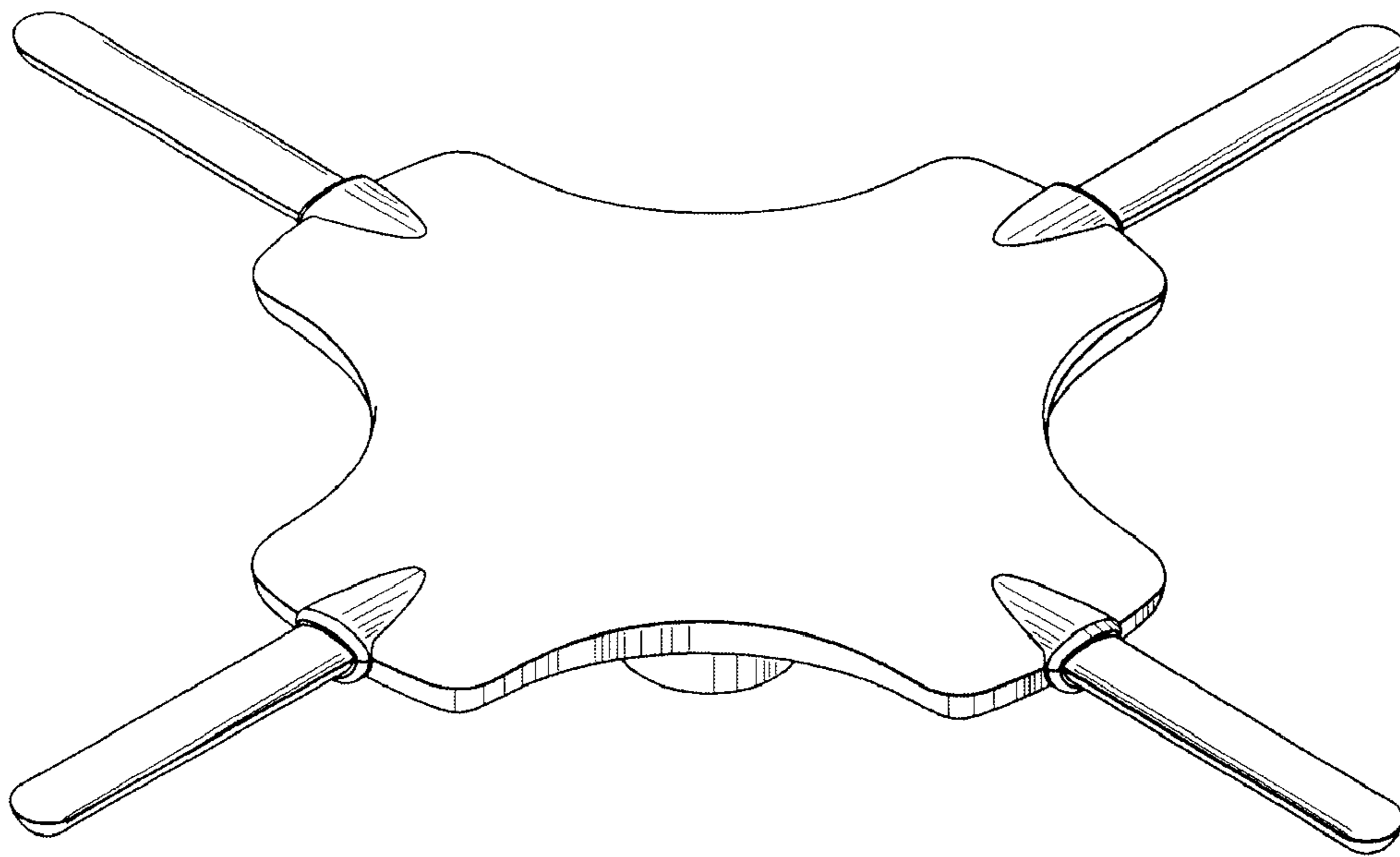


Fig. 8

