

US00D520498S

(12) **United States Design Patent**
Lin et al.

(10) **Patent No.:** **US D520,498 S**

(45) **Date of Patent:** **** May 9, 2006**

(54) **USB ANTENNA**

D470,837 S * 2/2003 Tourres D14/230
D478,271 S * 8/2003 McCoy et al. D8/376

(75) Inventors: **Hsin-Lung Lin**, Hsinchu (TW);
Teng-Chao Chiang, Hsinchu (TW)

OTHER PUBLICATIONS

(73) Assignee: **Smartant Telecom Co., Ltd.**, Hsinchu (TW)

Mimeo electronic whiteboard at www.jccmi.edu, Dec. 17, 2002.*

(**) Term: **14 Years**

* cited by examiner

(21) Appl. No.: **29/226,499**

Primary Examiner—Louis S. Zarfes

Assistant Examiner—John Windmuller

(22) Filed: **Mar. 30, 2005**

(74) *Attorney, Agent, or Firm*—Rabin & Berdo, P.C.

(51) **LOC (8) Cl.** **14-03**

(57) **CLAIM**

(52) **U.S. Cl.** **D14/230**

The ornamental design for a USB antenna, as shown and described.

(58) **Field of Classification Search** D14/137,
D14/138, 230–238, 299, 358; D12/42, 43;
343/700 R–705, 871–908, 795, 840, 711–713,
343/819, 846; 455/90.2, 90.3, 91, 128, 269,
455/344, 347, 562.1

DESCRIPTION

See application file for complete search history.

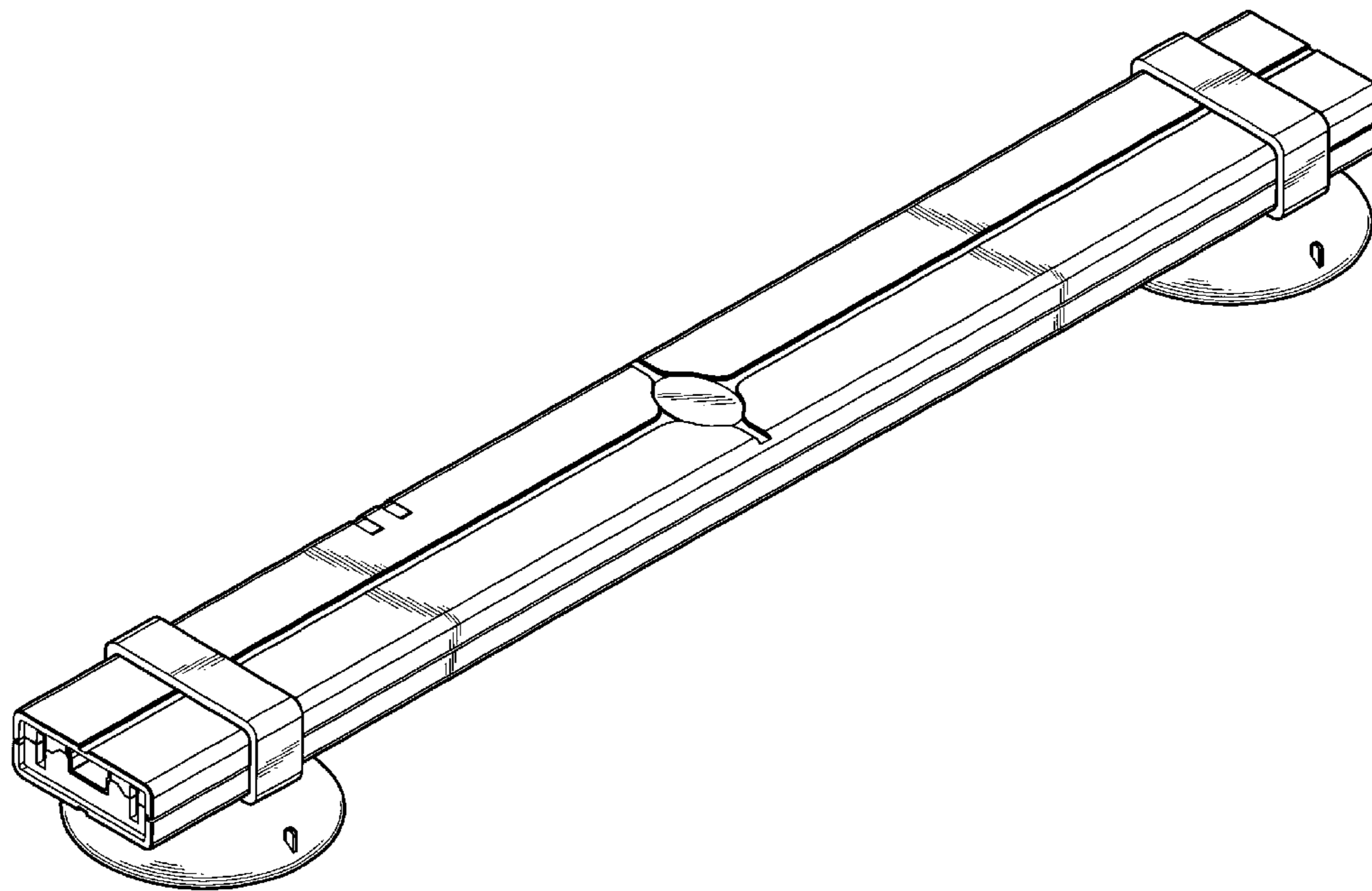
FIG. 1 is a top perspective view of a USB antenna showing our new design;
FIG. 2 is a front elevational view thereof;
FIG. 3 is a rear elevational view thereof;
FIG. 4 is a left side elevational view thereof;
FIG. 5 is a right side elevational view thereof;
FIG. 6 is a top plan view thereof; and,
FIG. 7 is a bottom plan view thereof.

(56) **References Cited**

U.S. PATENT DOCUMENTS

D310,670 S * 9/1990 Sheriff D14/230
D371,370 S * 7/1996 Fenton et al. D14/238
D379,256 S * 5/1997 Tipp D32/46

1 Claim, 4 Drawing Sheets



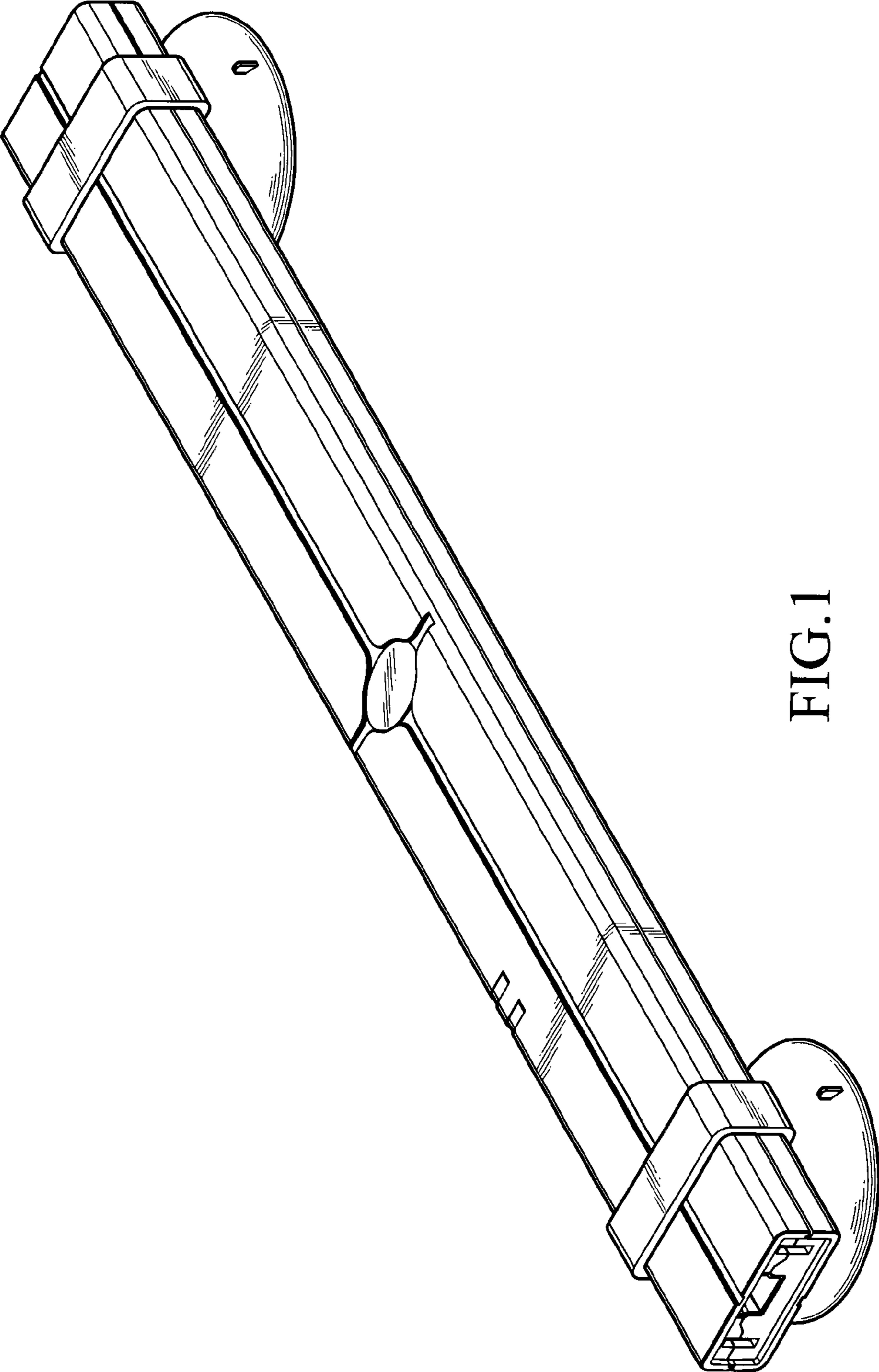


FIG. 1

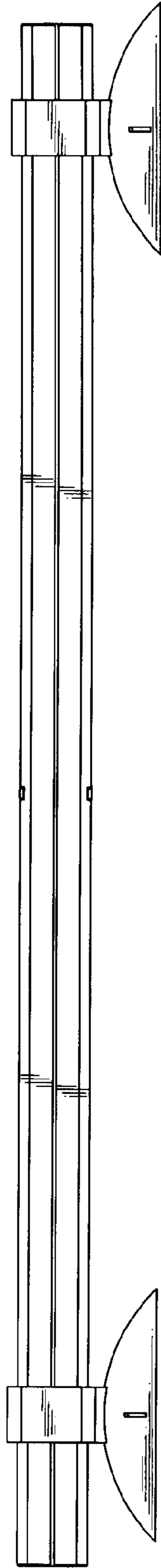


FIG. 2

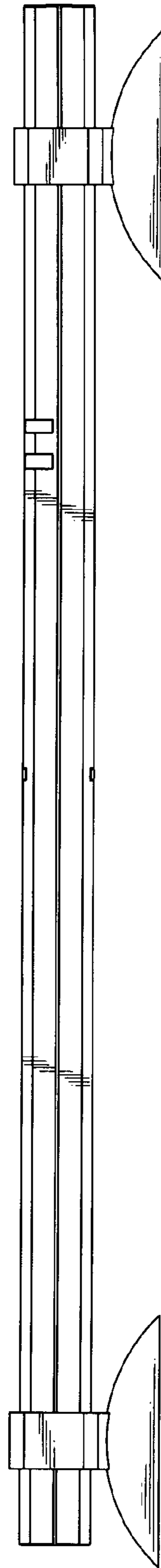


FIG. 3

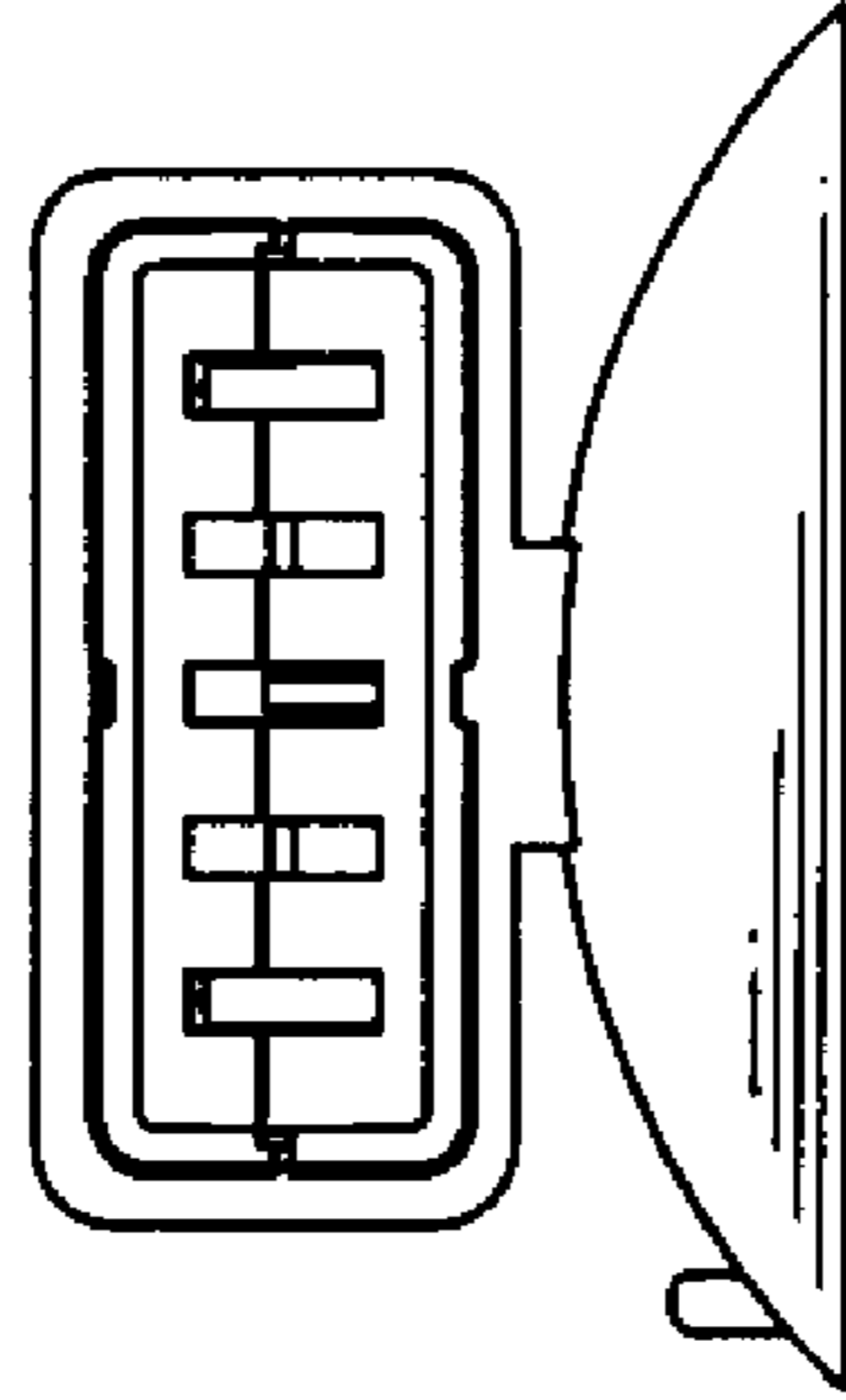


FIG.5

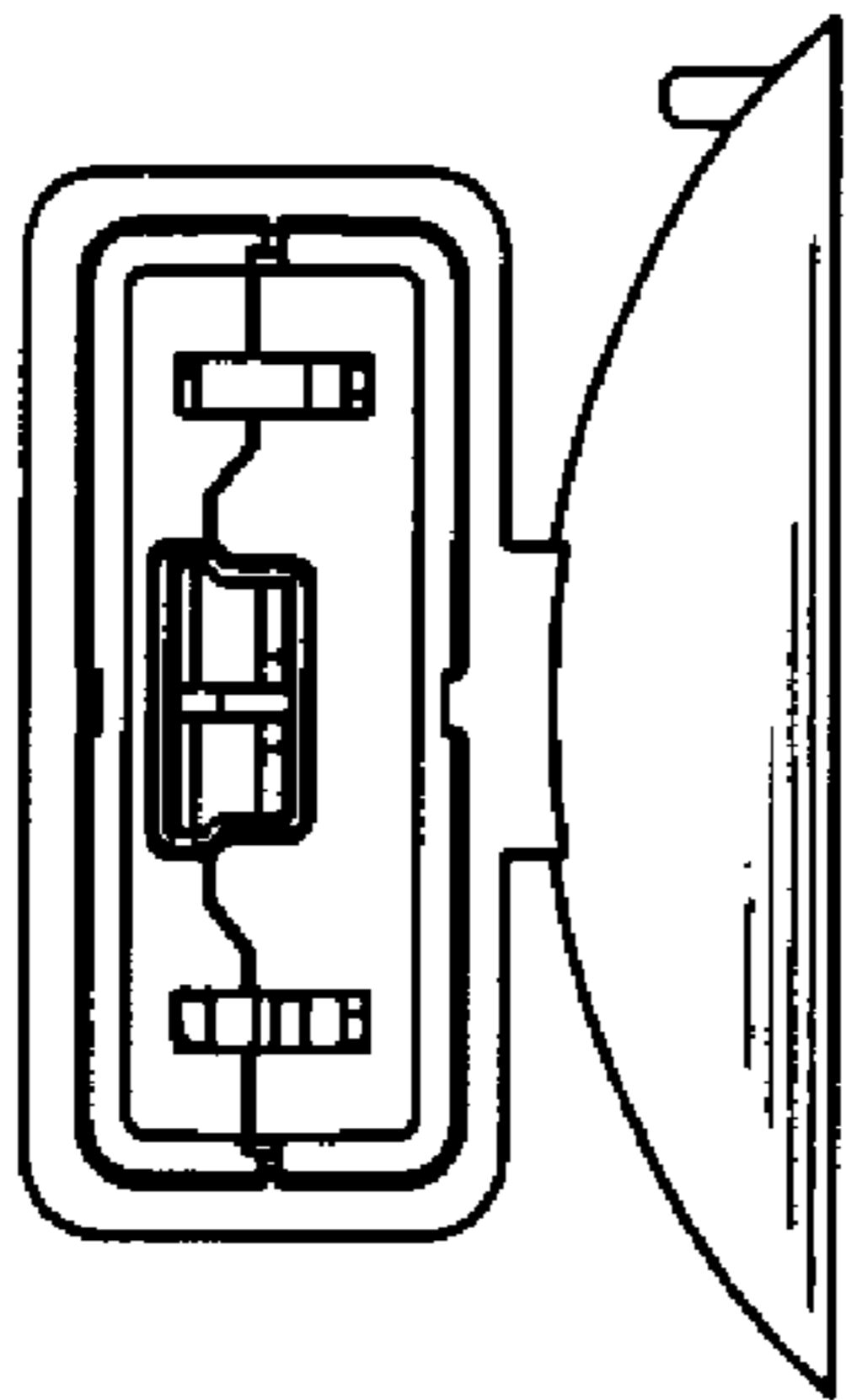


FIG.4

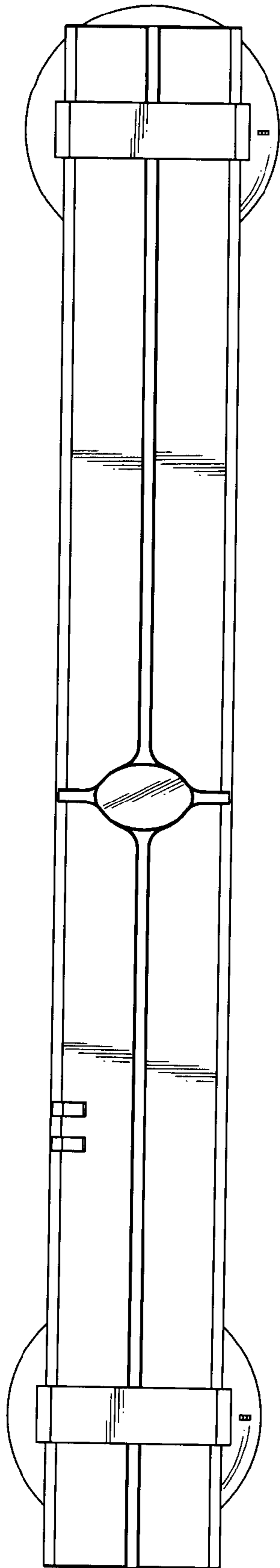


FIG.6

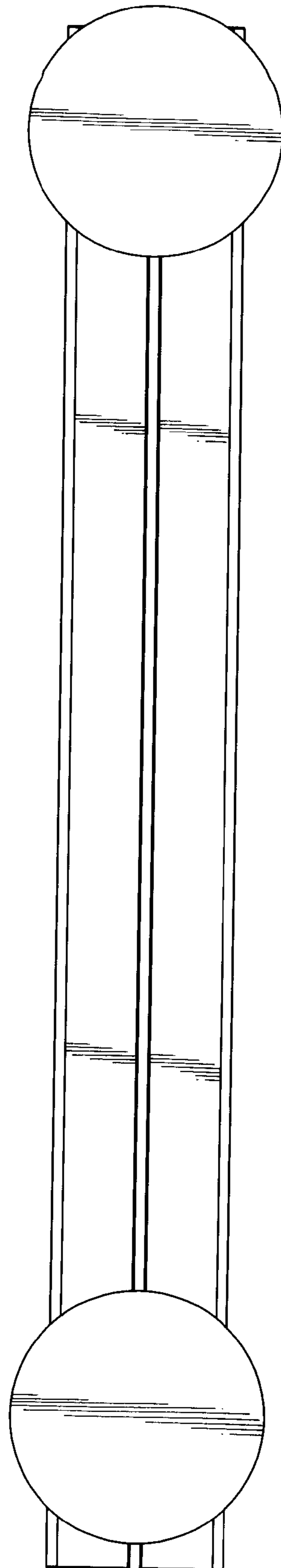


FIG.7