

US00D520494S

(12) **United States Design Patent**  
**Aiba et al.**

(10) **Patent No.:** **US D520,494 S**

(45) **Date of Patent:** **\*\* May 9, 2006**

(54) **SPEAKER**

(75) Inventors: **Nobushiro Aiba**, Hamamatsu (JP);  
**Sunao Okamura**, Hamamatsu (JP)

(73) Assignee: **Yamaha Corporation**, Shizuoka (JP)

(\*\*) Term: **14 Years**

(21) Appl. No.: **29/216,873**

(22) Filed: **Nov. 10, 2004**

(30) **Foreign Application Priority Data**

Aug. 30, 2004 (JP) ..... 2004-025882

(51) **LOC (8) Cl.** ..... **14-01**

(52) **U.S. Cl.** ..... **D14/214**

(58) **Field of Classification Search** ..... D14/204,  
D14/207, 209–216, 356; 181/143–144, 147–148,  
181/150, 157, 198–199, 151, 153; 381/300–302,  
381/306, 333, 345, 361–364, 386–388, 332,  
381/336

See application file for complete search history.

(56) **References Cited**

**U.S. PATENT DOCUMENTS**

D372,918 S \* 8/1996 Manganese et al. .... D14/214

D440,220 S \* 4/2001 Dunk et al. .... D14/211  
D472,542 S \* 4/2003 Oikawa ..... D14/214  
D478,891 S \* 8/2003 Hisatsune ..... D14/211  
D485,543 S \* 1/2004 Allen ..... D14/214

\* cited by examiner

*Primary Examiner*—Nanda Bondade

(74) *Attorney, Agent, or Firm*—Sughrue Mion, PLLC

(57) **CLAIM**

The ornamental design for a speaker, as shown.

**DESCRIPTION**

FIG. 1 is a perspective view of the front, right, and top sides of a speaker showing our new design;

FIG. 2 is a top plan view thereof;

FIG. 3 is a front elevational view thereof;

FIG. 4 is a rear elevational view thereof;

FIG. 5 is a bottom plan view thereof;

FIG. 6 is a right side elevational view thereof; and,

FIG. 7 is a left side elevational view thereof.

**1 Claim, 4 Drawing Sheets**

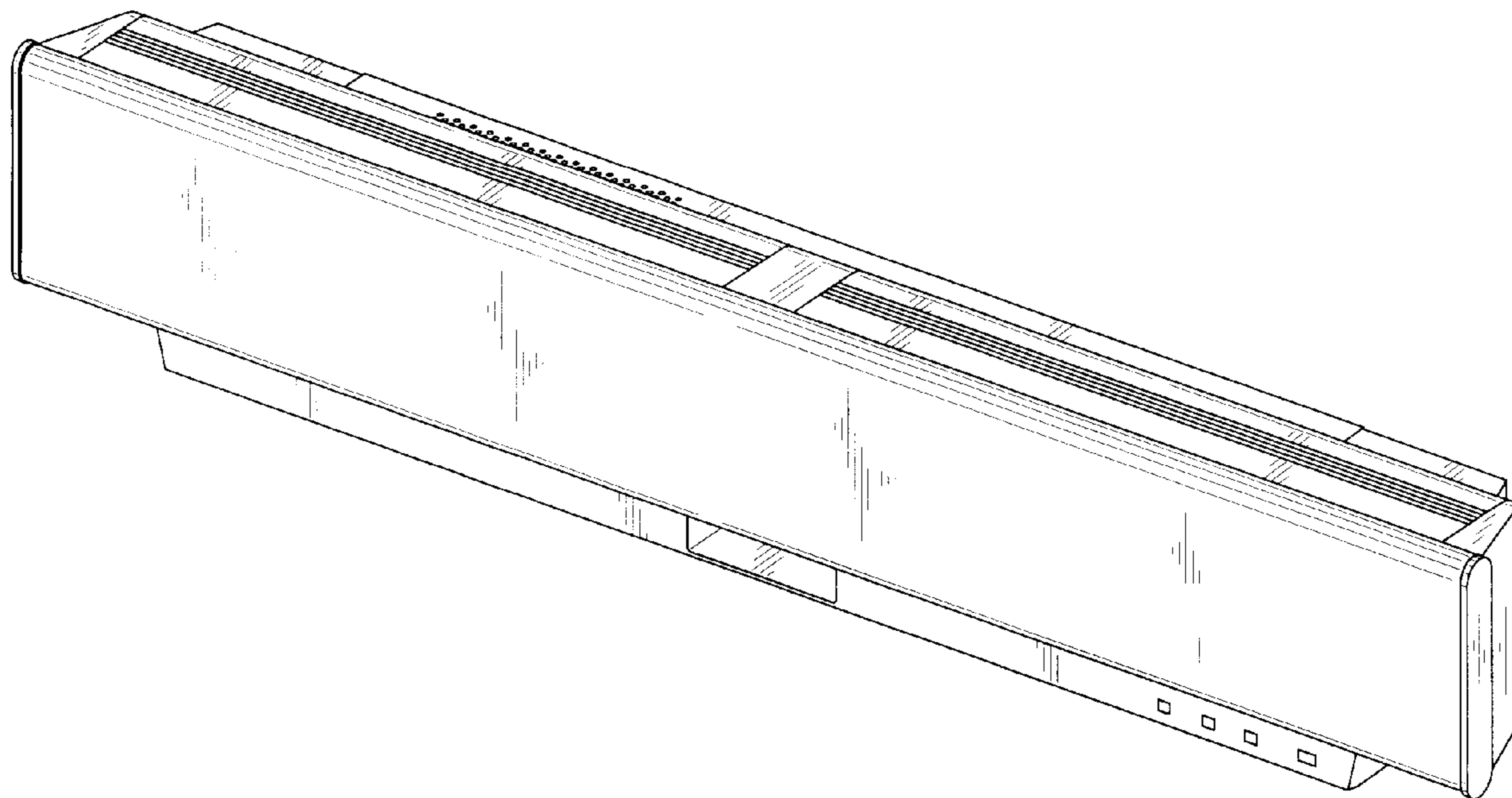


FIG. 1

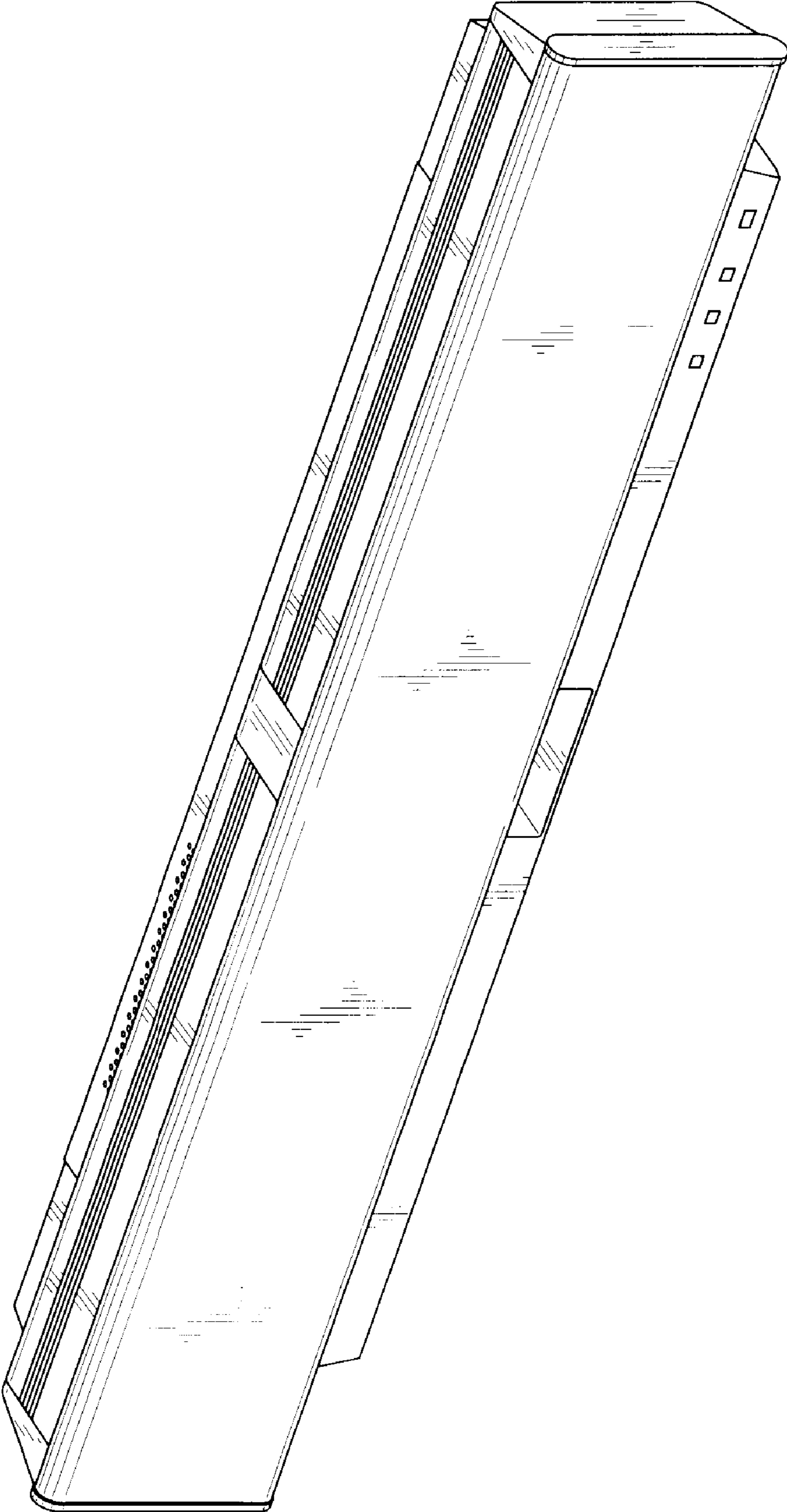


FIG. 2

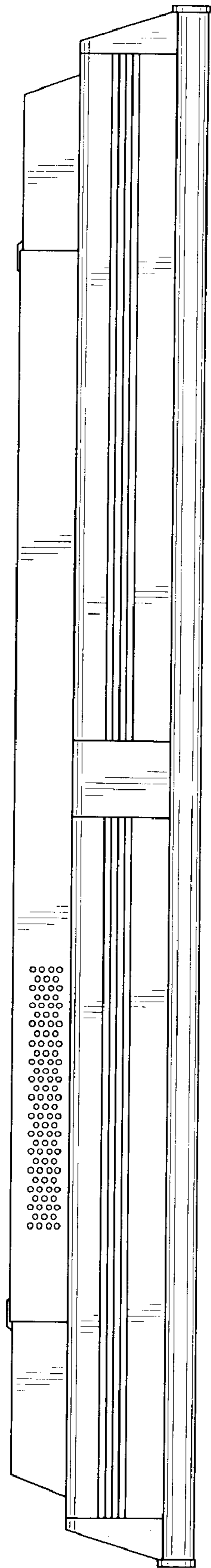


FIG. 3

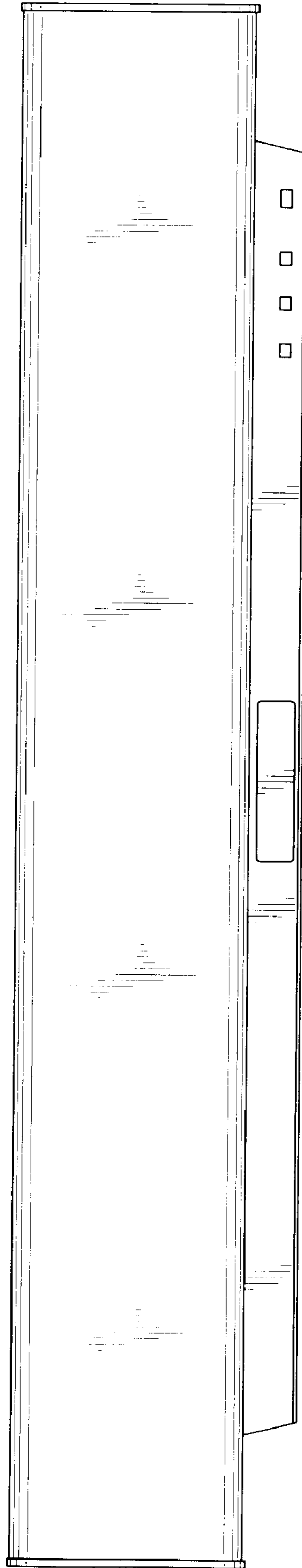


FIG. 4

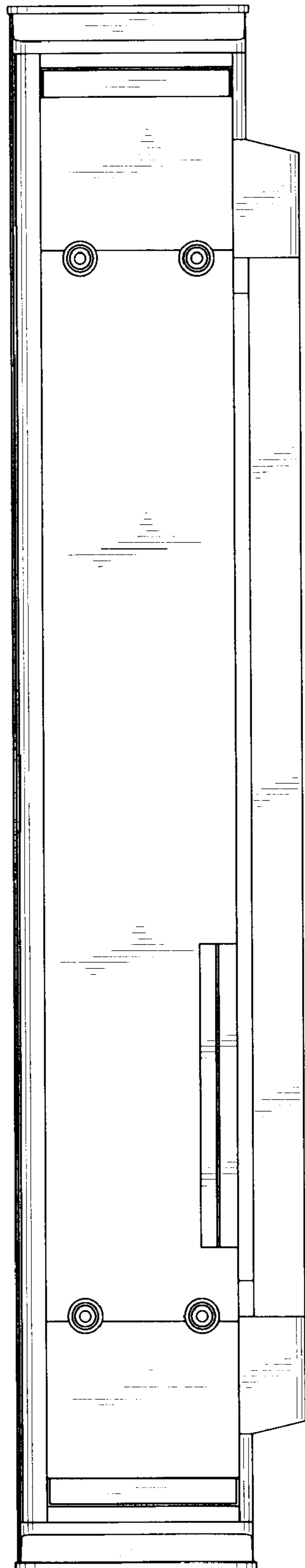
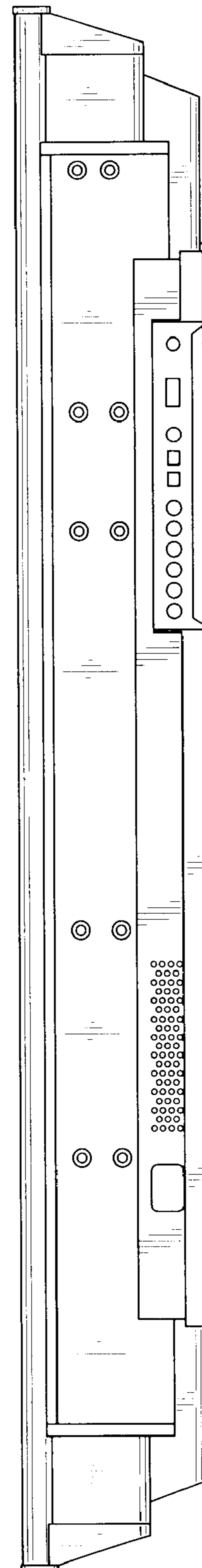
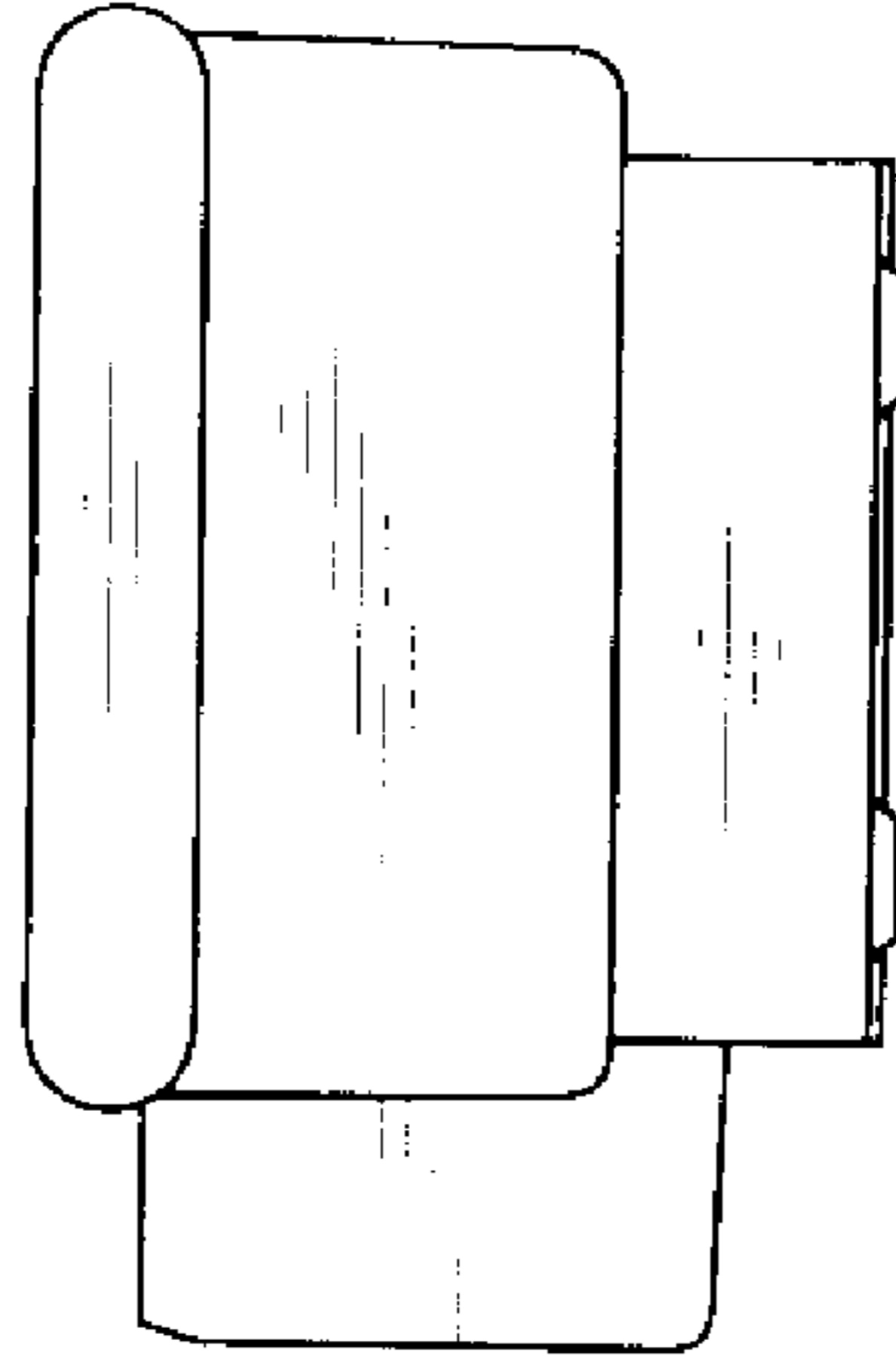


FIG. 5



*FIG. 6*



*FIG. 7*

