



US00D520492S

(12) **United States Design Patent**
Chen

(10) **Patent No.:** **US D520,492 S**

(45) **Date of Patent:** **** May 9, 2006**

(54) **EARPHONE**

(76) **Inventor:** **Chi-Hsiang Chen**, 1 Fl., No. 7, Lane
162, Jingye 3rd Rd., Taipei (TW)

(**) **Term:** **14 Years**

(21) **Appl. No.:** **29/228,848**

(22) **Filed:** **Apr. 29, 2005**

(51) **LOC (8) Cl.** **14-01**

(52) **U.S. Cl.** **D14/205**

(58) **Field of Classification Search** D14/137,
D14/192, 204, 205, 206, 215, 223; D2/891,
D2/893; D29/110, 112; D24/174; 2/2, 209,
2/423; 181/129, 130, 137; 128/857, 864,
128/866; 379/430, 444

See application file for complete search history.

(56) **References Cited**

U.S. PATENT DOCUMENTS

3,505,684	A	*	4/1970	Hutchinson et al.	2/209
3,661,225	A	*	5/1972	Anderson	181/175
D229,833	S	*	1/1974	Becker	D14/205
5,018,599	A	*	5/1991	Dohi et al.	181/129
D353,818	S	*	12/1994	Nakamura	D14/205
5,406,037	A	*	4/1995	Nageno et al.	181/129

5,551,090	A	*	9/1996	Thompson	2/209
D391,573	S	*	3/1998	Nakamura	D14/205
D405,449	S	*	2/1999	Nakamura et al.	D14/205
D420,356	S	*	2/2000	Suzuki	D14/205
D457,874	S	*	5/2002	Yoneda	D14/205

* cited by examiner

Primary Examiner—Paula A. Greene

(74) *Attorney, Agent, or Firm*—Dellett & Walters

(57) **CLAIM**

The ornamental design for an earphone, as shown and described.

DESCRIPTION

FIG. 1 is a perspective view of an earphone showing my new design;

FIG. 2 is a front view thereof;

FIG. 3 is a rear view thereof;

FIG. 4 is a left view thereof;

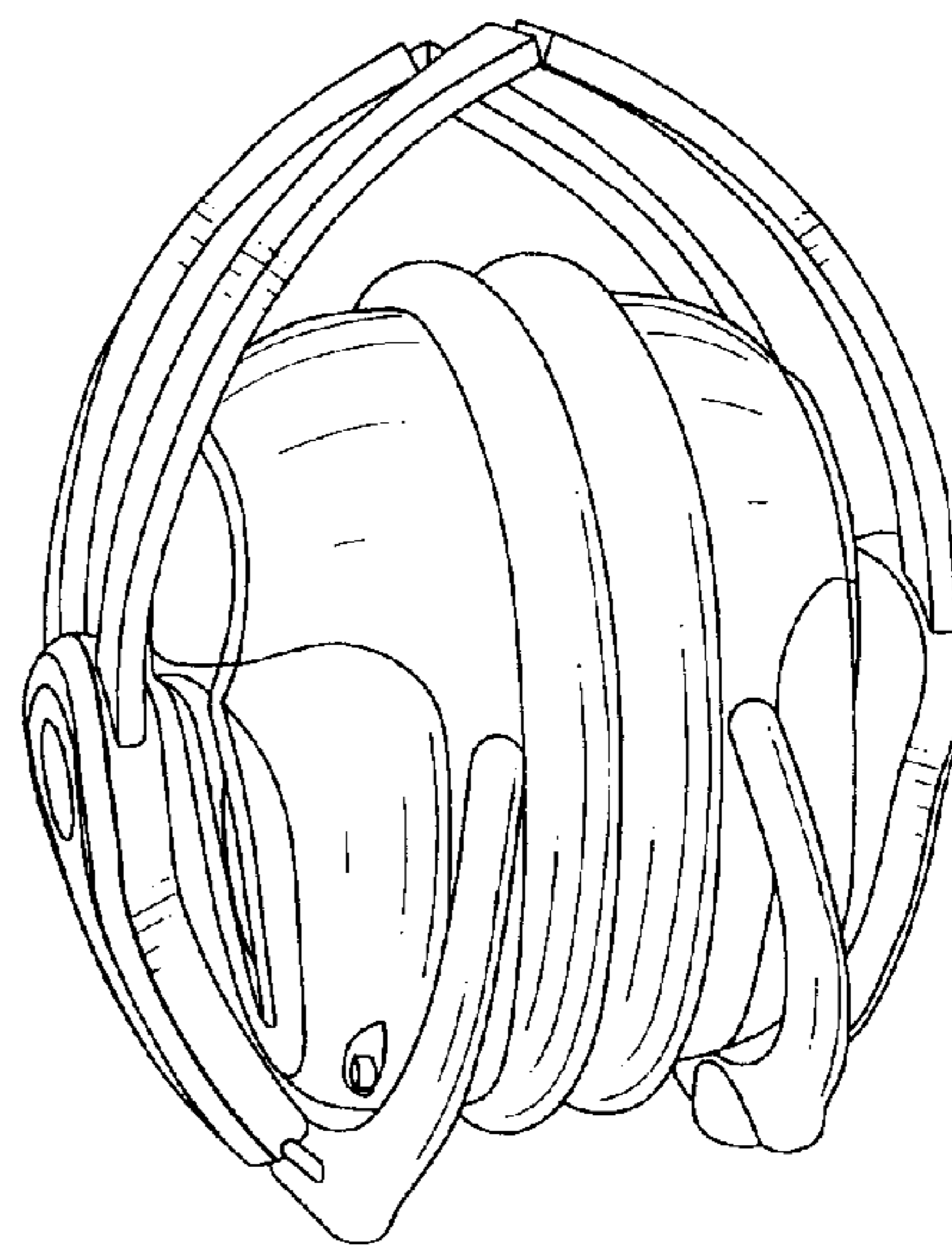
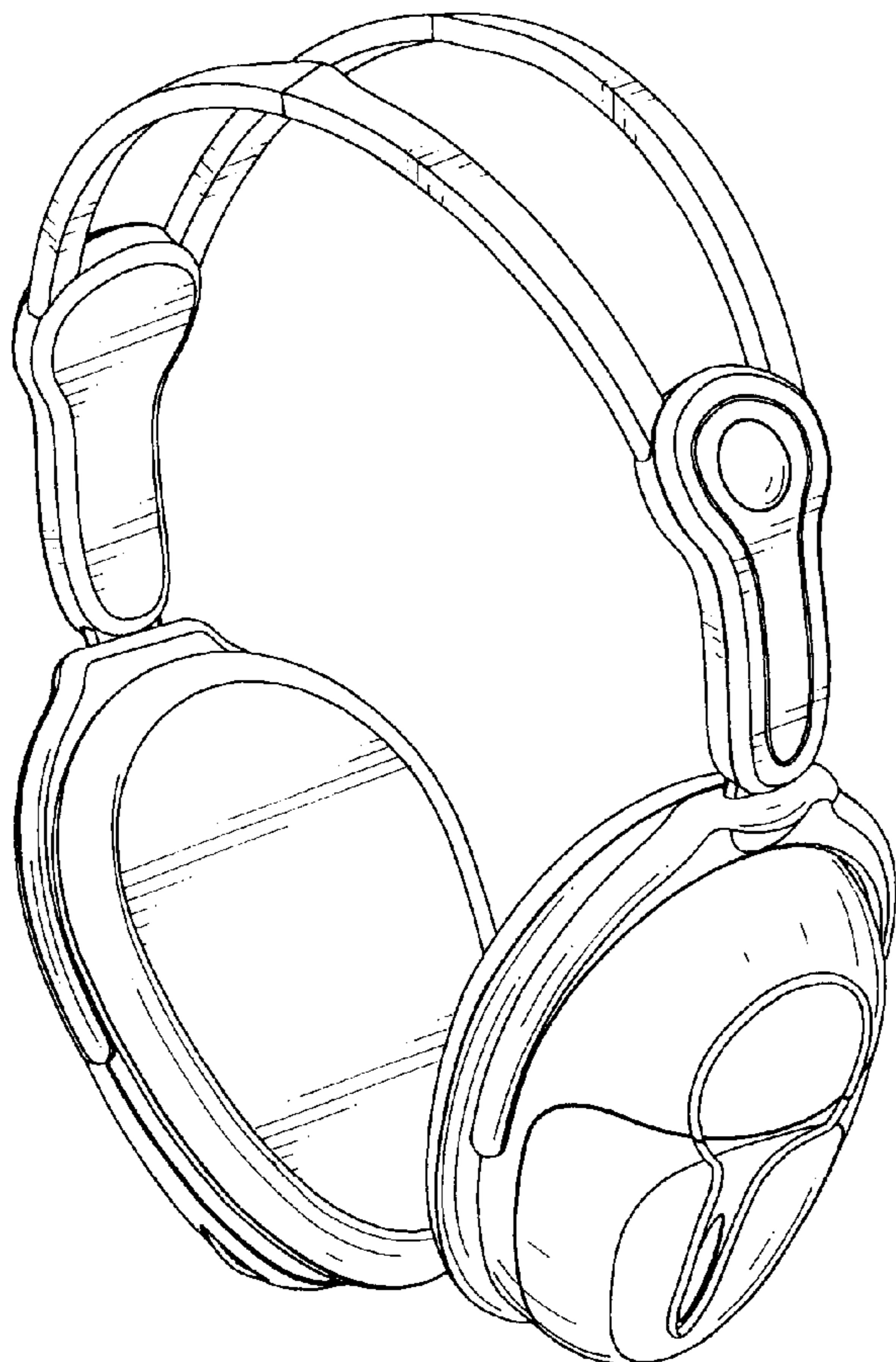
FIG. 5 is a right view thereof;

FIG. 6 is top view thereof;

FIG. 7 is a bottom view thereof; and,

FIG. 8 is a perspective view of the earphone when the earphone is folded.

1 Claim, 8 Drawing Sheets



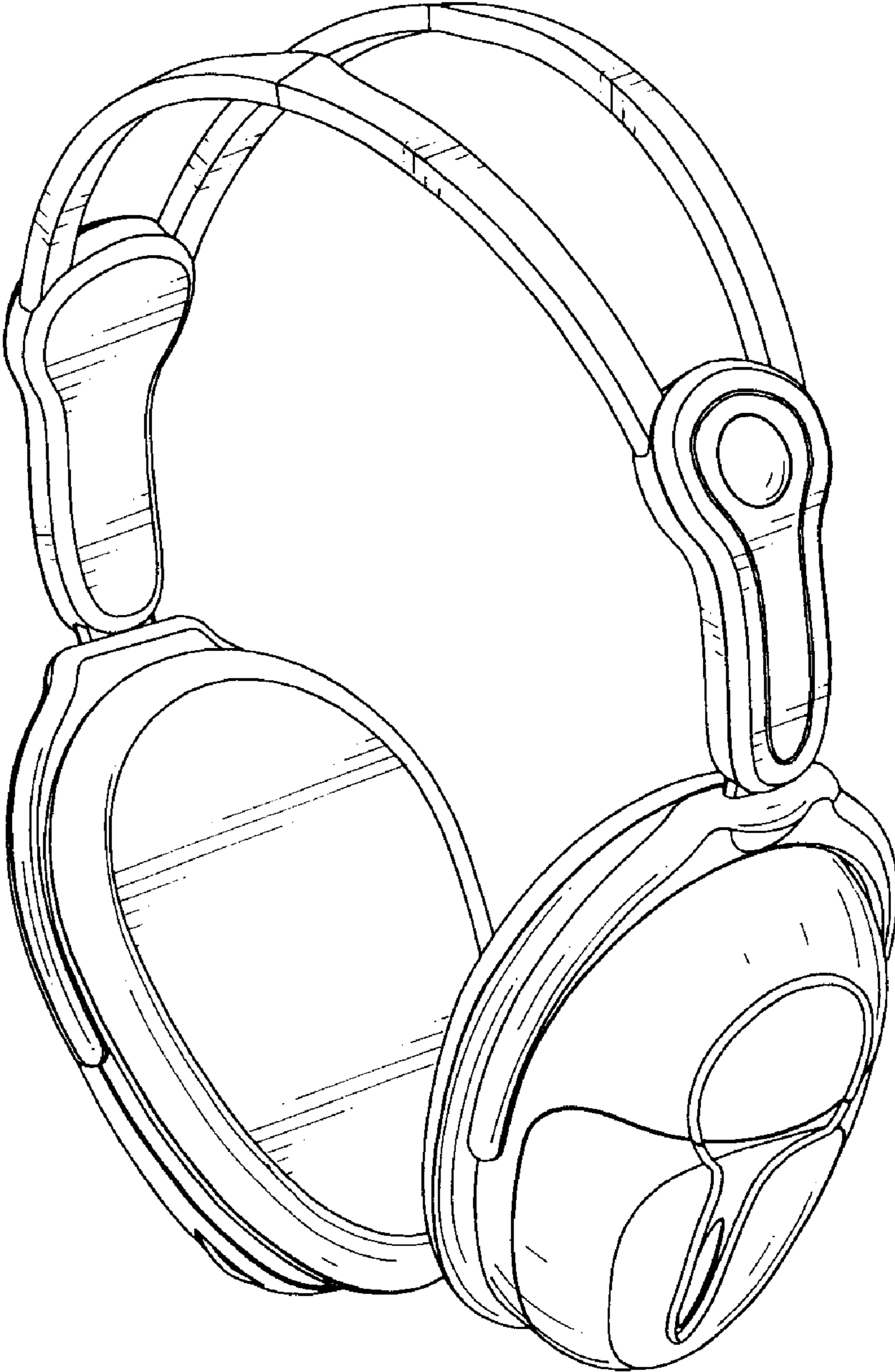


FIG. 1



FIG.2



FIG.3

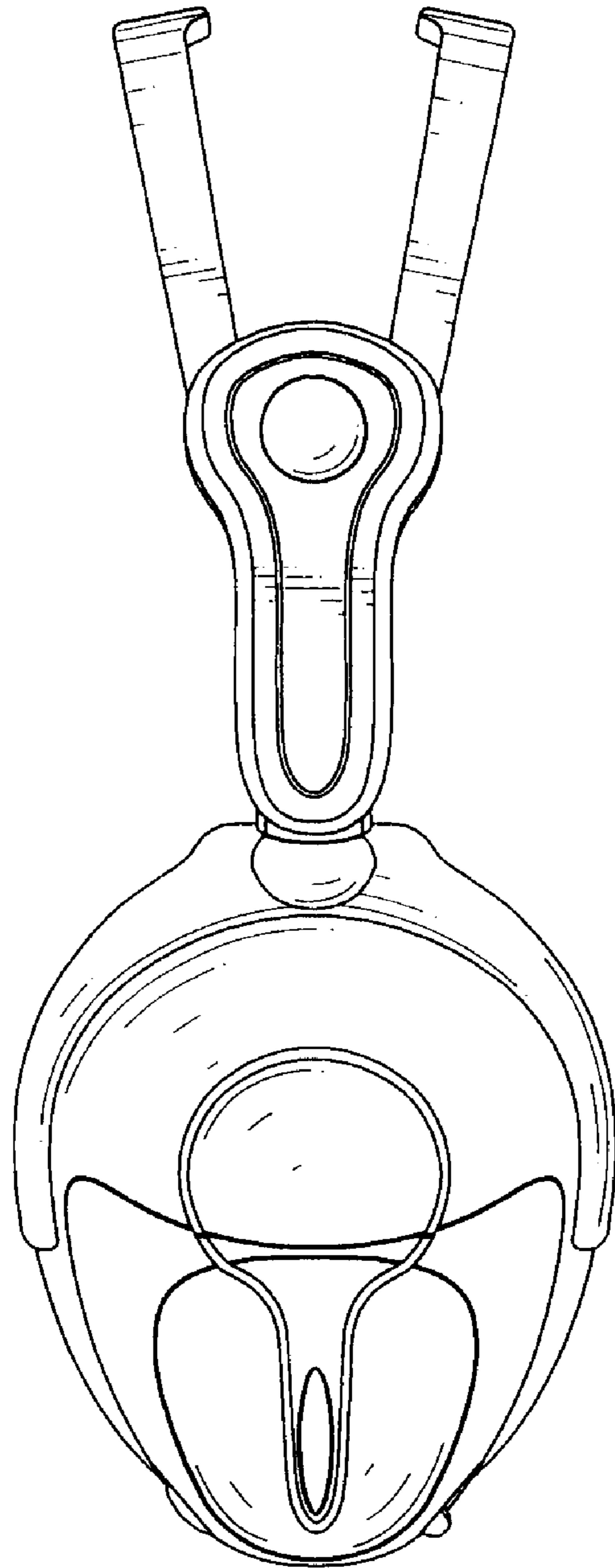


FIG.4

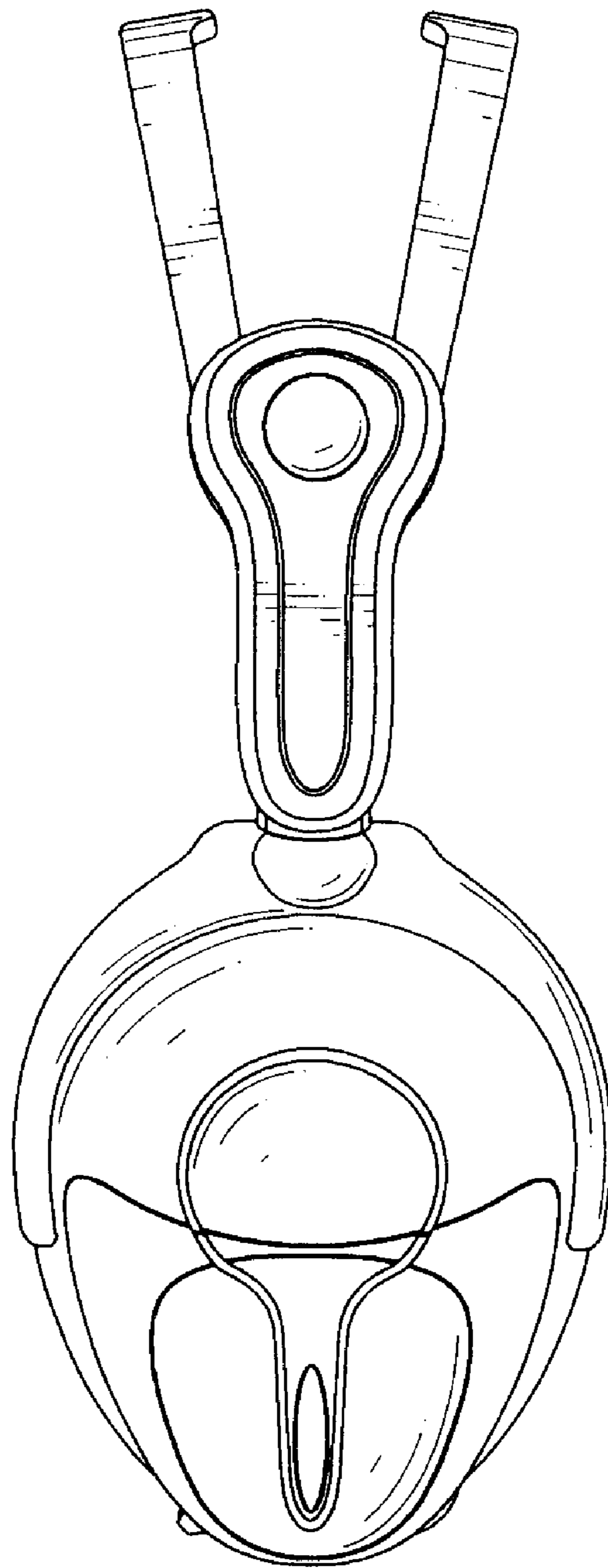


FIG.5

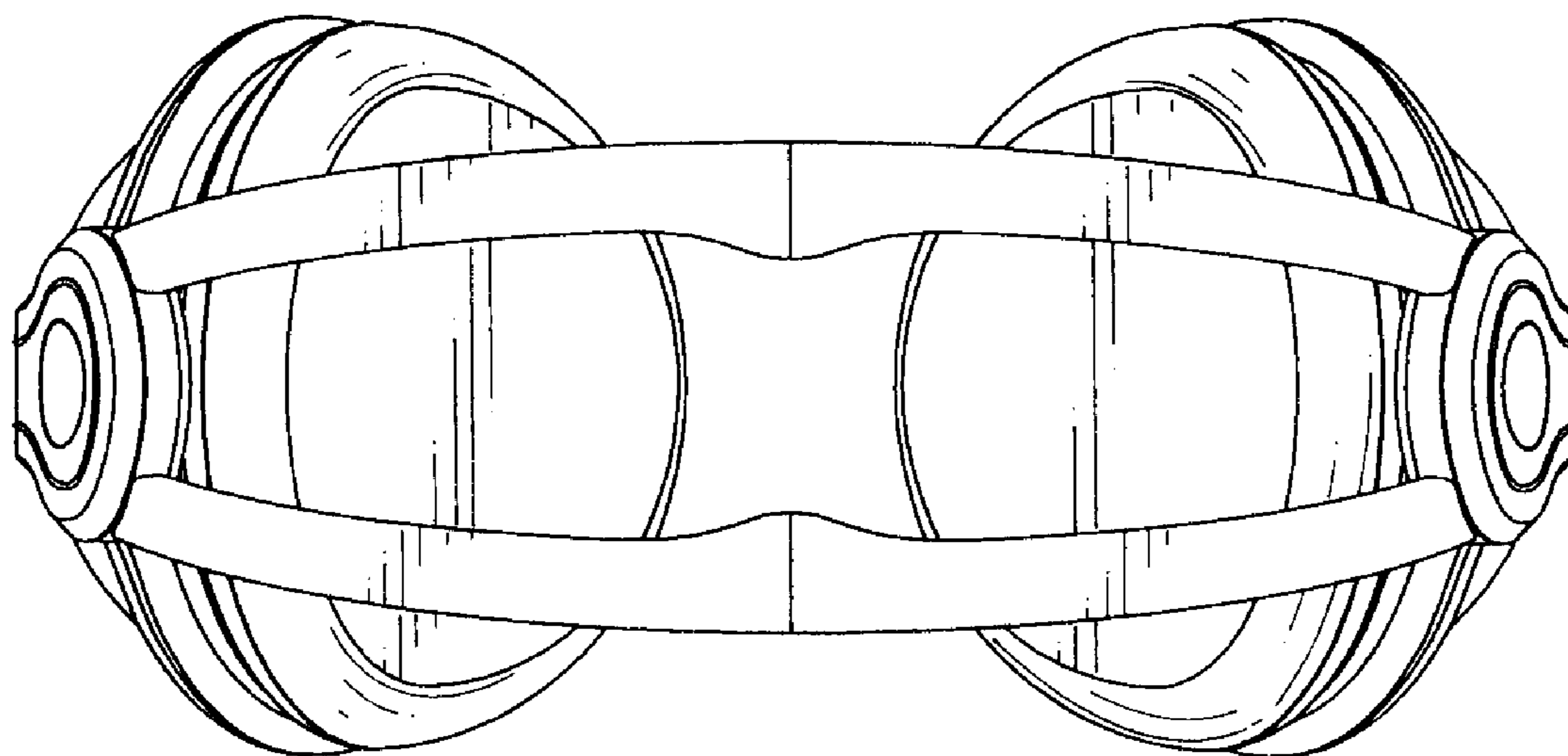


FIG.6

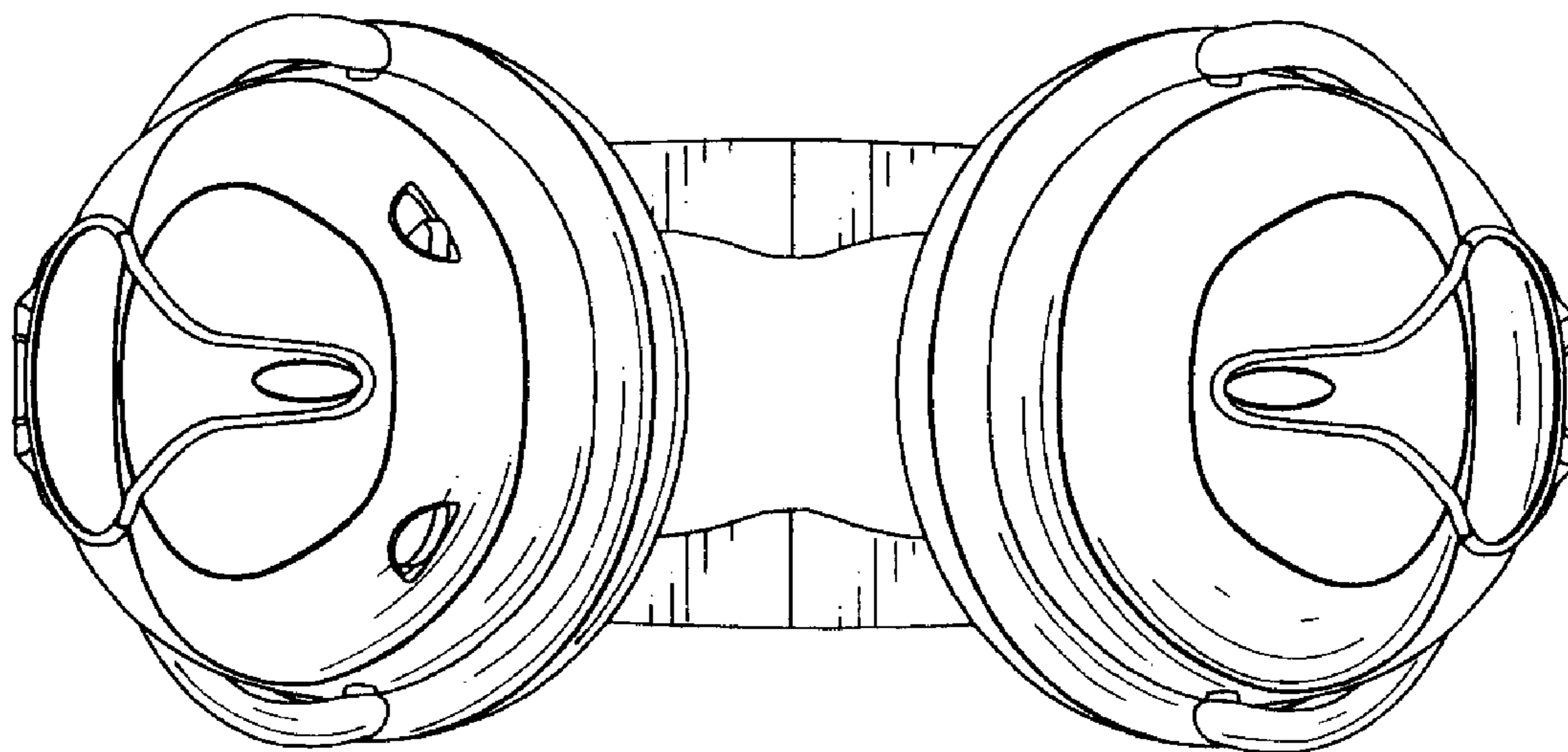


FIG.7

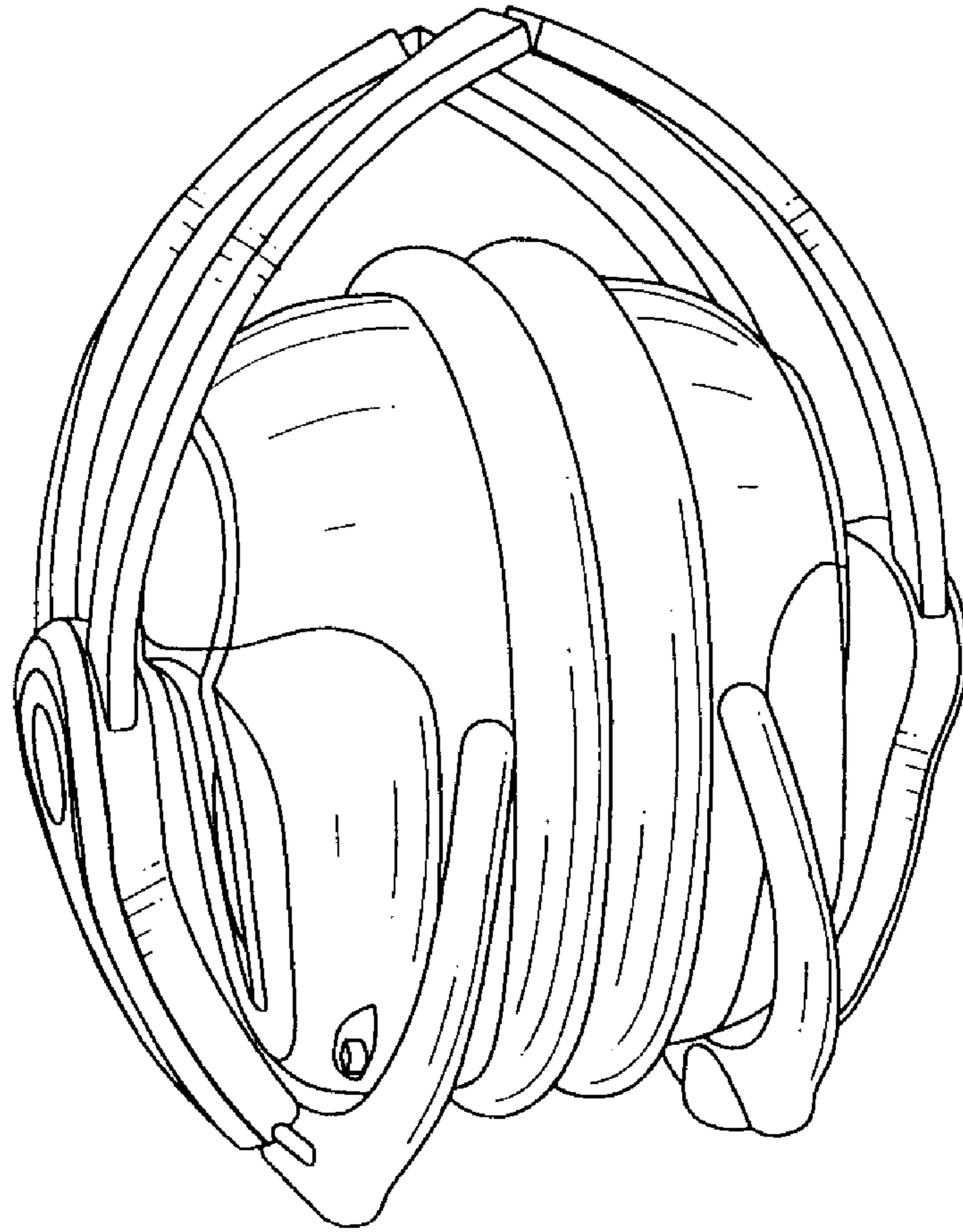


FIG.8