



US00D520487S

(12) **United States Design Patent** (10) **Patent No.:** **US D520,487 S**
Shioya (45) **Date of Patent:** **** May 9, 2006**

(54) **INTERCOM** JP D805206 1/1991
 JP D808181 2/1991
 (75) Inventor: **Kenji Shioya**, Kawasaki (JP) JP D853397 11/1992
 JP D932332 8/1995
 (73) Assignee: **Matsushita Electric Industrial Co., Ltd.**, Osaka (JP) JP D942627 12/1995
 JP D963703 9/1996
 JP D963703/1 10/1996
 (**) Term: **14 Years**

(Continued)

(21) Appl. No.: **29/212,042**
 (22) Filed: **Aug. 24, 2004**

Primary Examiner—Cathron C. Brooks
Assistant Examiner—Austin Murphy
 (74) *Attorney, Agent, or Firm*—Brinks Hofer Gilson & Lione

(30) **Foreign Application Priority Data**

May 21, 2004 (JP) 2004-015033
 May 21, 2004 (JP) 2004-015034

(51) **LOC (8) Cl.** **14-03**
 (52) **U.S. Cl.** **D14/159**
 (58) **Field of Classification Search** D14/162,
 D14/159, 158, 142, 257; D13/177; D8/350,
 D8/351; D10/118; 379/167.14, 167.05, 176;
 348/156, 155; 713/182; 455/575.2
 See application file for complete search history.

(57) **CLAIM**

I claim the ornamental design for an intercom, as shown and described.

DESCRIPTION

FIG. 1 is a top perspective view of a first embodiment of an intercom of the present invention;
 FIG. 2 is a front view thereof;
 FIG. 3 is a first side view thereof, wherein the second side view is a mirror image thereof;
 FIG. 4 is a top view thereof, wherein the bottom view is a mirror image thereof;
 FIG. 5 is a top perspective view of a second embodiment of an intercom of the present invention;
 FIG. 6 is a front view thereof;
 FIG. 7 is a first side view thereof, wherein the second side view is a mirror image thereof;
 FIG. 8 is a top view thereof, wherein the bottom view is a mirror image thereof;
 FIG. 9 is a top perspective view of a third embodiment of an intercom of the present invention;
 FIG. 10 is a front view thereof;
 FIG. 11 is a first side view thereof, wherein the second side view is a mirror image thereof; and,
 FIG. 12 is a top view thereof, wherein the bottom view is a mirror image thereof.
 The rear view of each of the three embodiments has been omitted and forms no part of the claimed design.

(56) **References Cited**

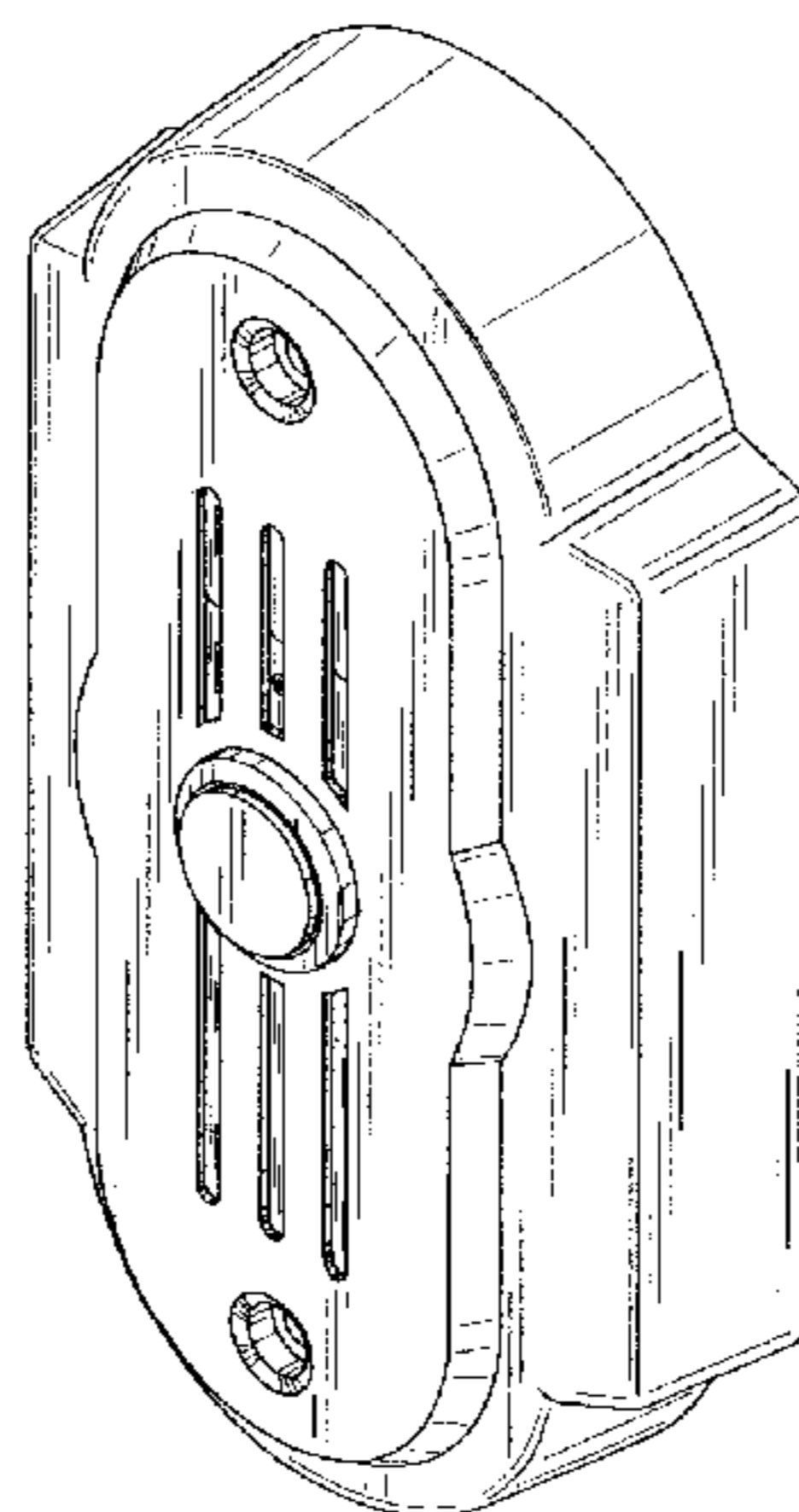
U.S. PATENT DOCUMENTS

D96,407 S * 7/1935 Nash D14/257
 D97,740 S * 12/1935 Nash D14/257
 D101,101 S * 9/1936 Bossard D10/118
 D243,921 S * 4/1977 Creamer D8/351
 D244,003 S * 4/1977 Grieb D8/350
 D250,638 S * 12/1978 Donnelly D10/118
 D274,992 S * 8/1984 Levin D10/118
 D394,656 S * 5/1998 Kato et al. D14/159
 D502,385 S * 3/2005 Underhill et al. D8/350
 D503,329 S * 3/2005 Berberet D8/350

FOREIGN PATENT DOCUMENTS

JP D739706 7/1988
 JP D739708 8/1988
 JP D739936 8/1988
 JP D739936/1 8/1988
 JP D749952 11/1988
 JP D762008 5/1989

1 Claim, 12 Drawing Sheets



US D520,487 S

Page 2

FOREIGN PATENT DOCUMENTS					
			JP	D1142263	5/2002
			JP	D1177896	6/2003
JP	D1057653	1/2000	JP	D1191303	12/2003
JP	D1091295	11/2000	JP	D1193967	1/2004
JP	D1123600	10/2001			
JP	D1127988	12/2001			
			* cited by examiner		

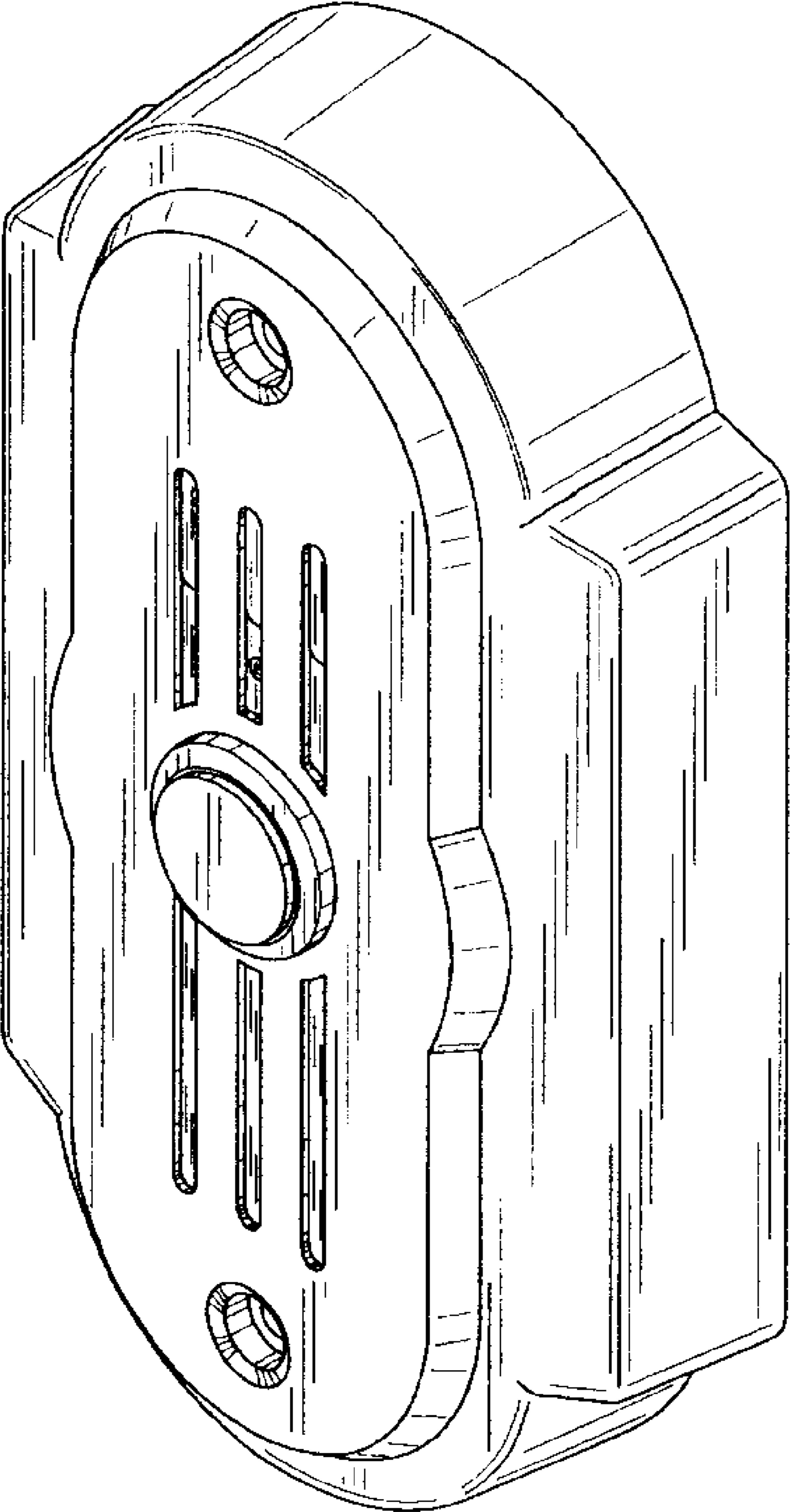


FIG. 1

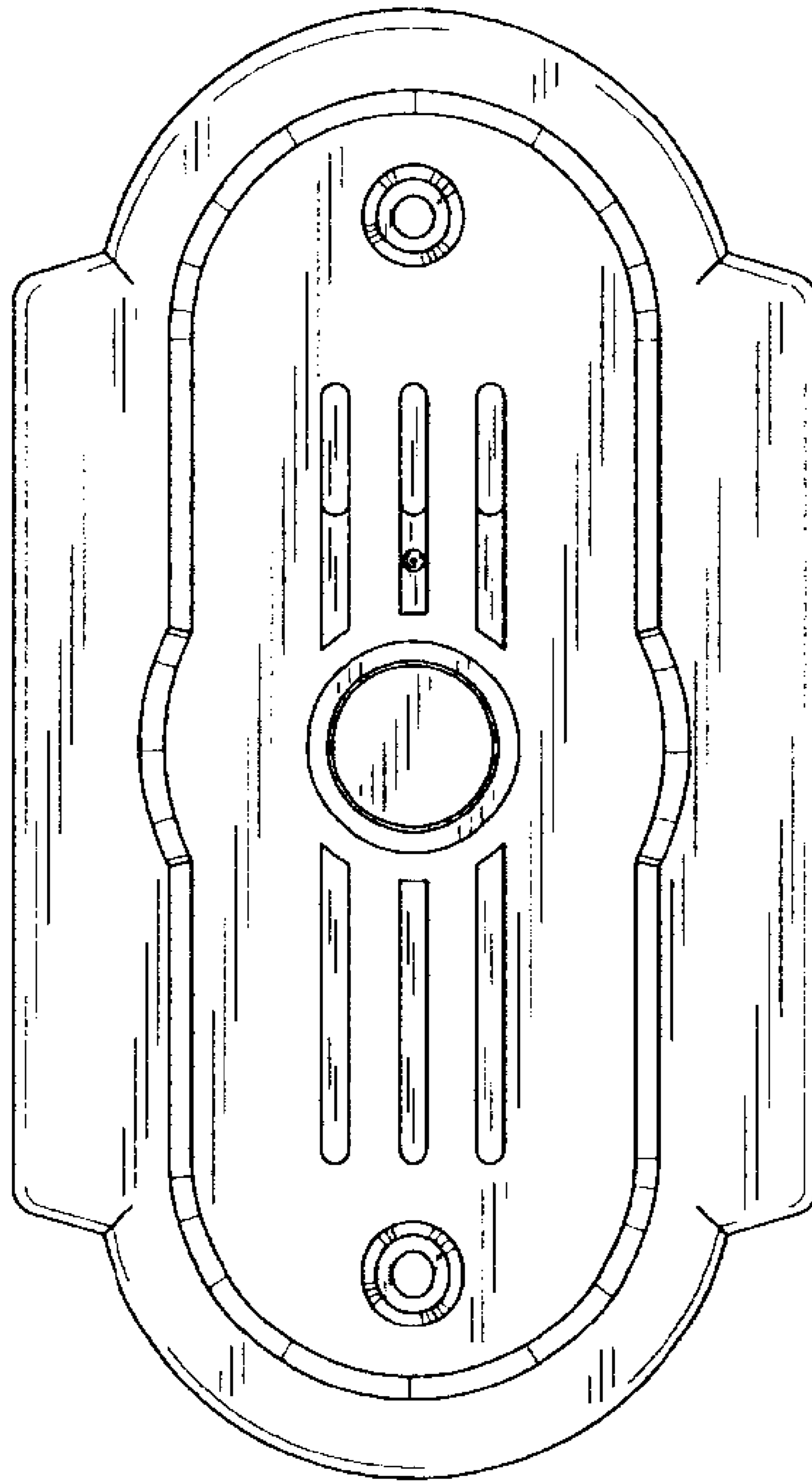


FIG. 2

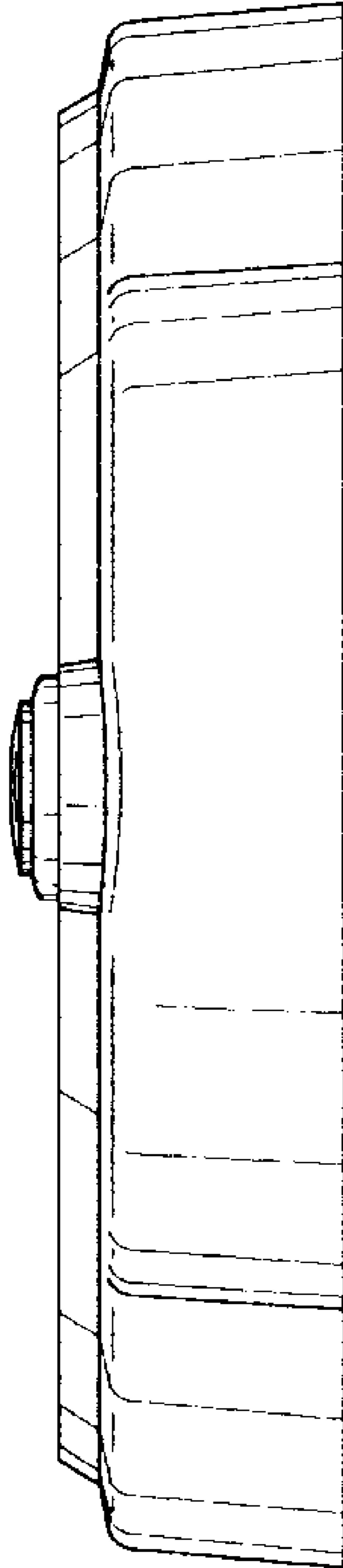


FIG. 3

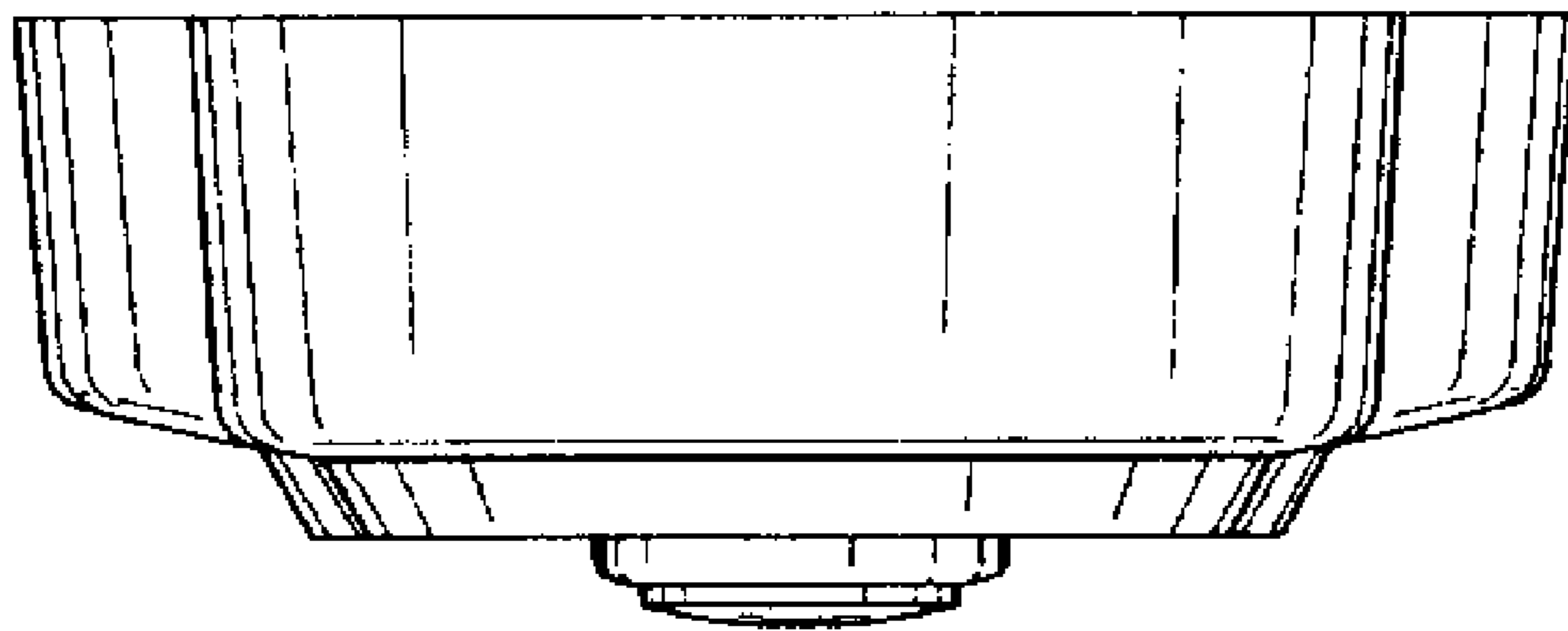


FIG. 4

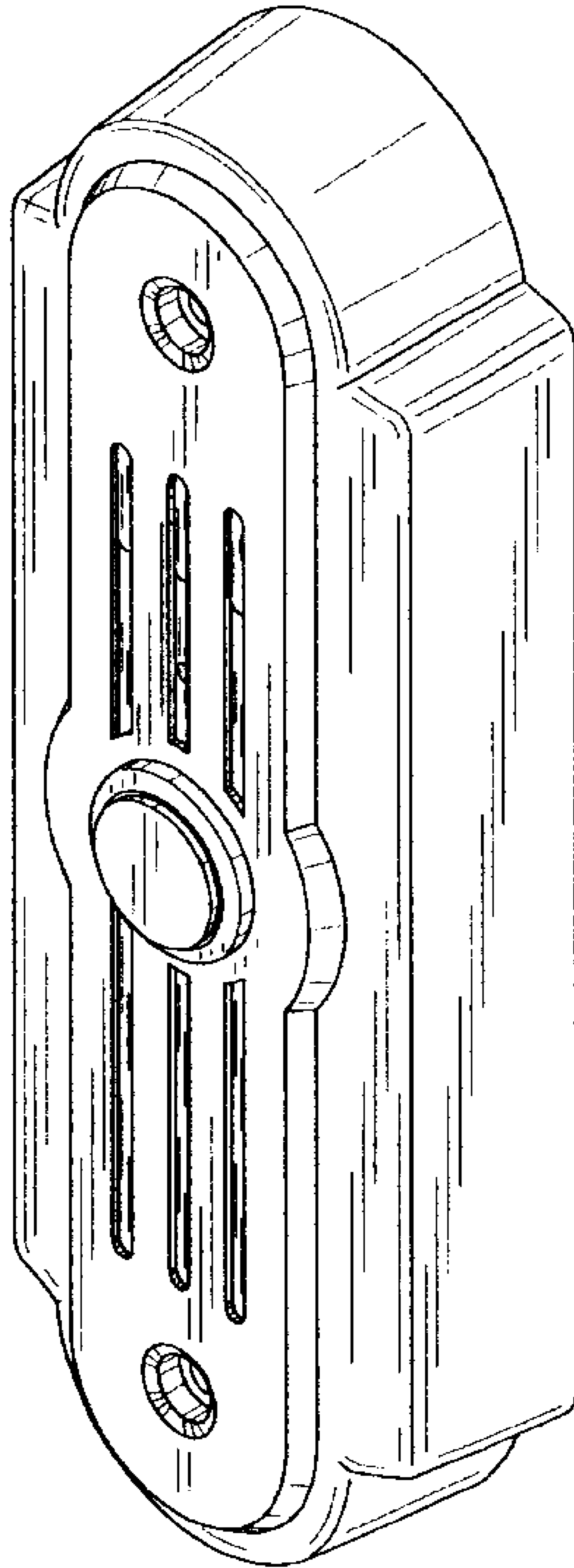


FIG. 5

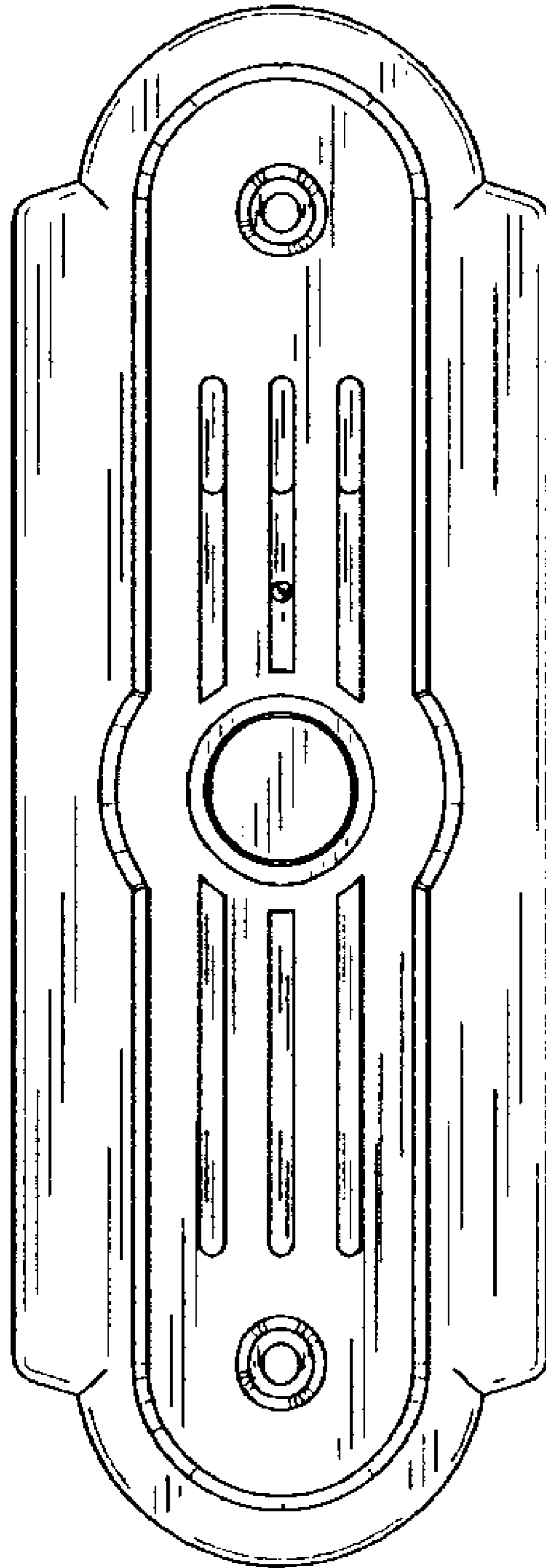


FIG. 6

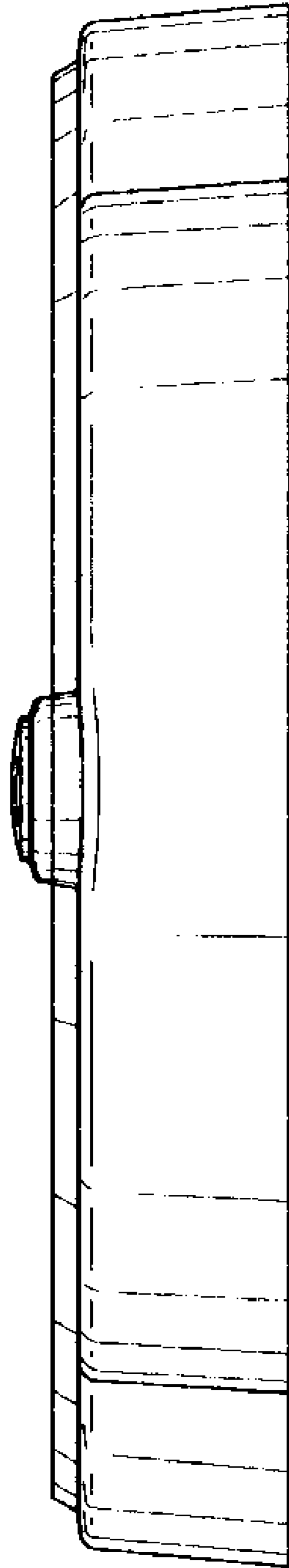


FIG. 7

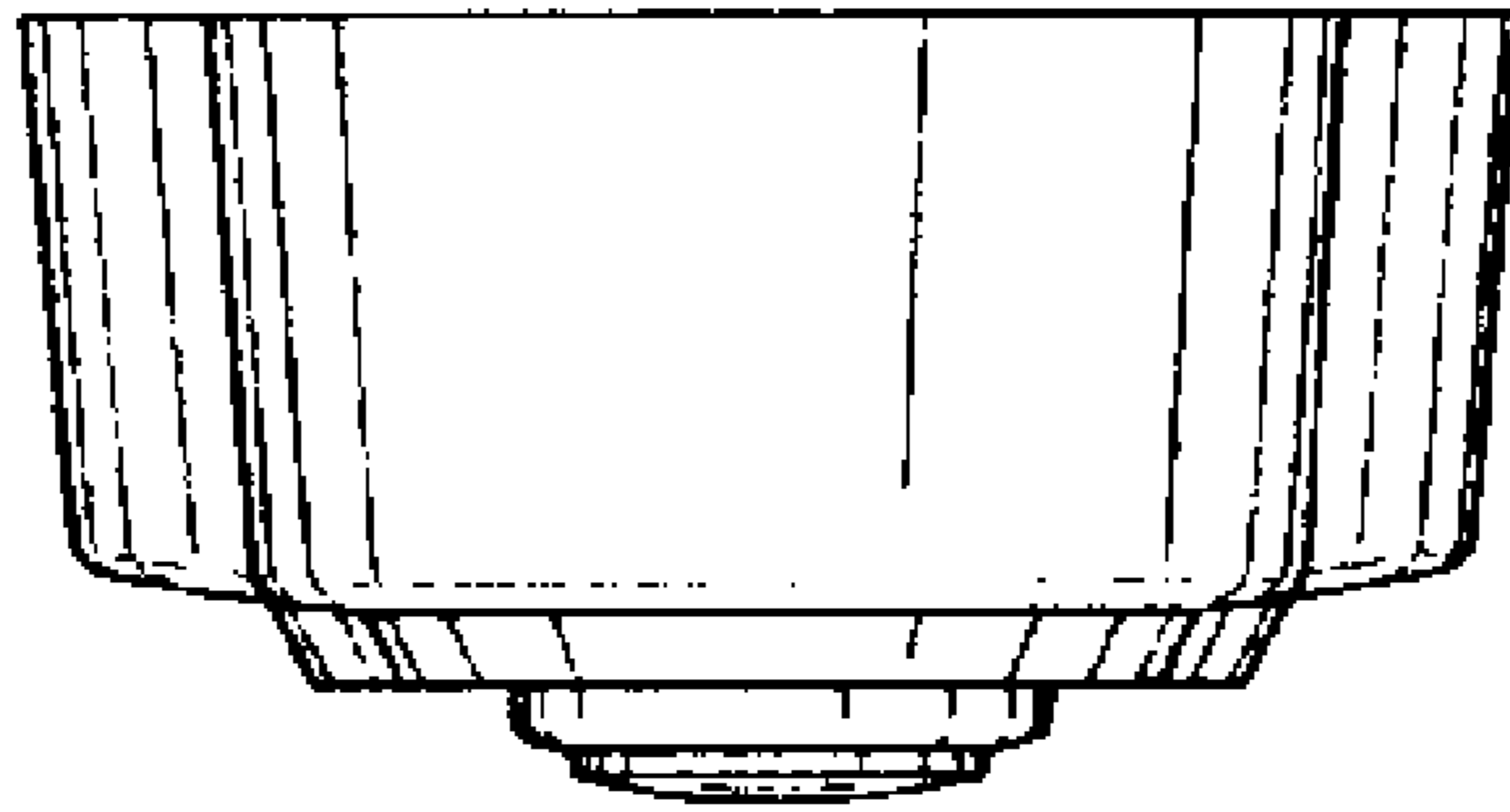


FIG. 8

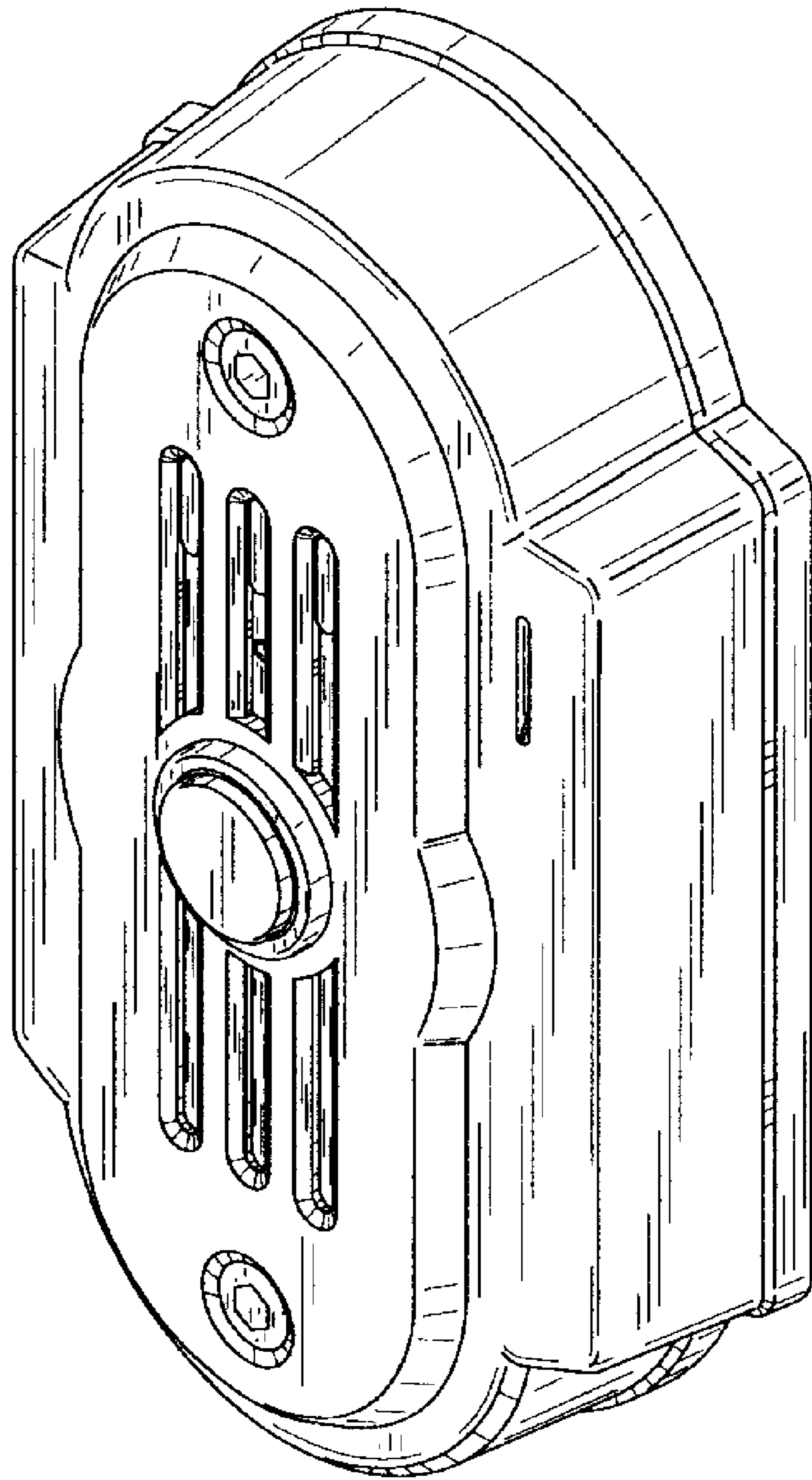


FIG. 9

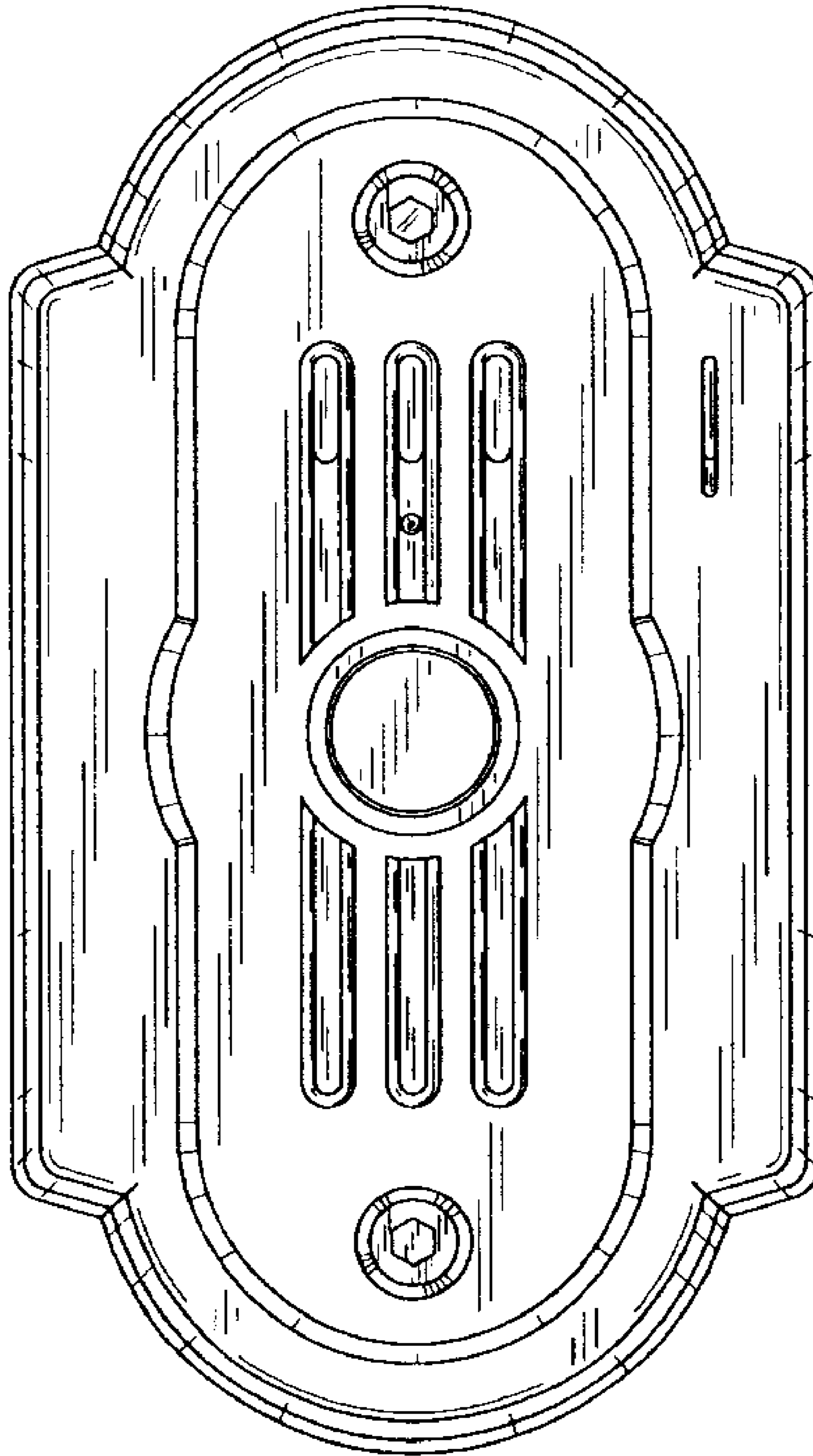


FIG. 10

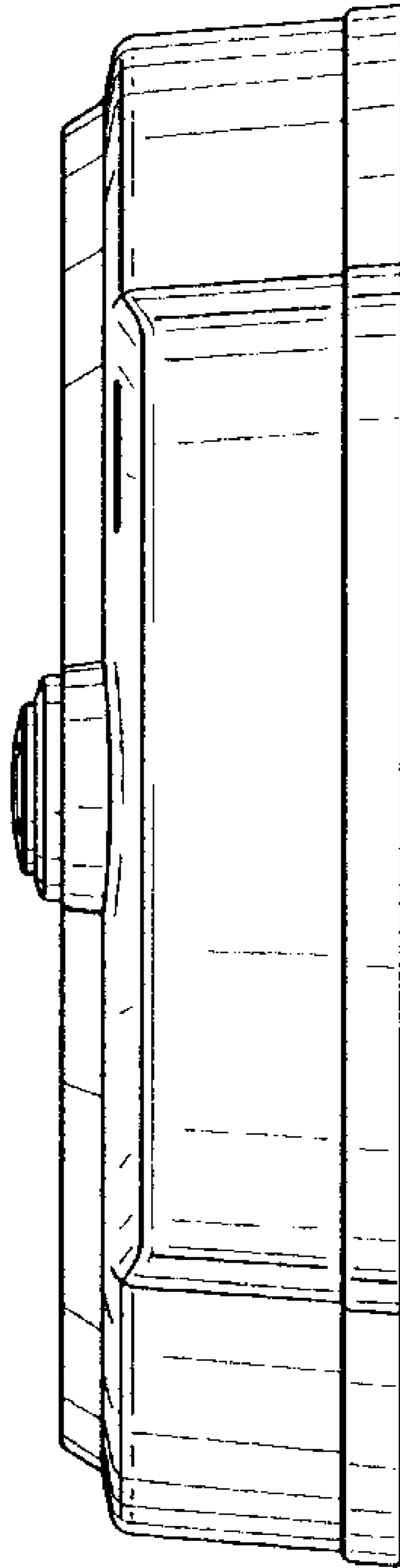


FIG. 11

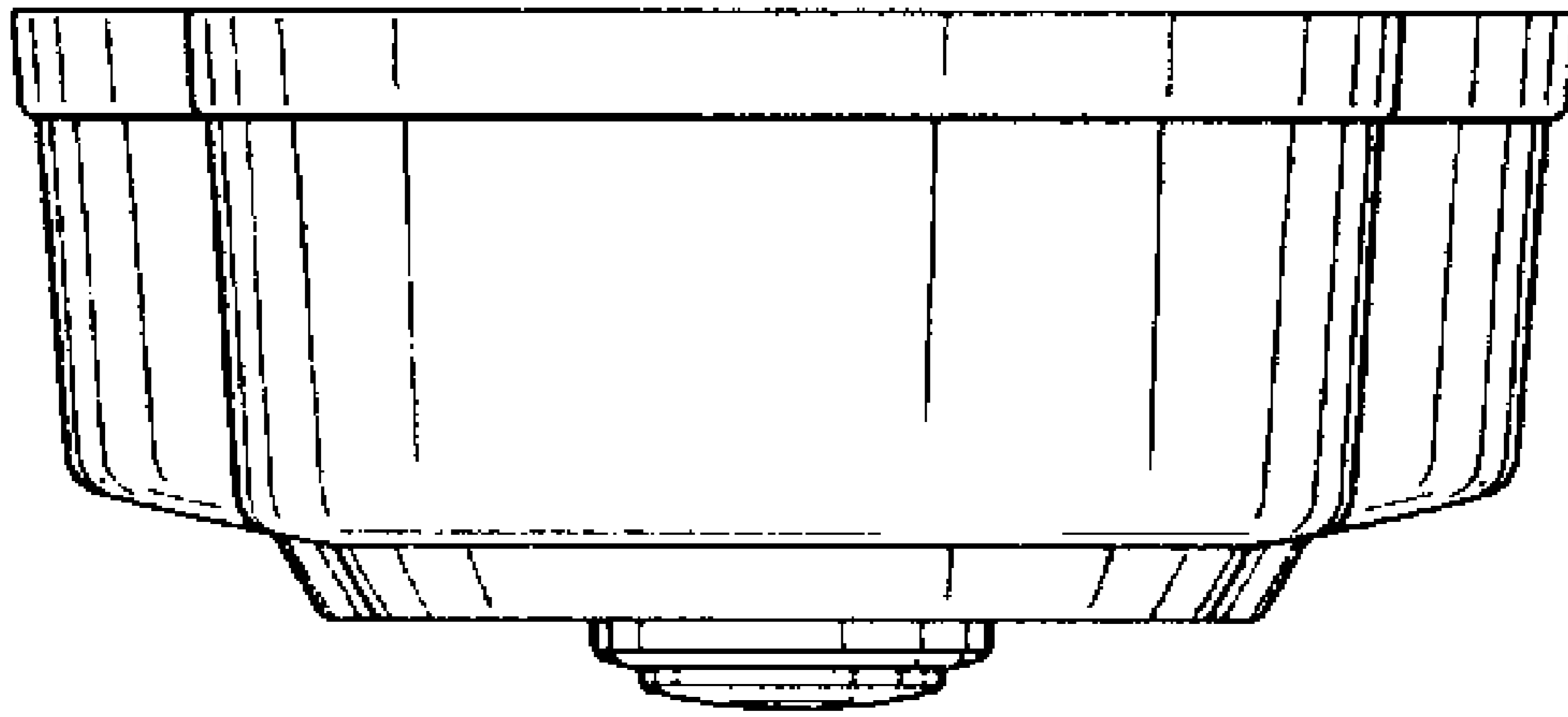


FIG. 12