



US00D520486S

(12) **United States Design Patent**  
**Kim et al.**

(10) **Patent No.:** **US D520,486 S**

(45) **Date of Patent:** **\*\* May 9, 2006**

(54) **CELLULAR PHONE**

(75) Inventors: **Nam Mi Kim**, Seoul (KR); **Chang Hwan Hwang**, Kyunggi-do (KR); **Jin Soo Kim**, Seoul (KR); **Hye Jeong Lee**, Seoul (KR)

(73) Assignee: **Samsung Electronics Co., Ltd.** (KR)

(\*\*) Term: **14 Years**

(21) Appl. No.: **29/222,279**

(22) Filed: **Jan. 27, 2005**

(30) **Foreign Application Priority Data**

Jan. 17, 2005 (KR) ..... 30-2005-0001288

(51) **LOC (8) Cl.** ..... **14-03**

(52) **U.S. Cl.** ..... **D14/138**

(58) **Field of Classification Search** ..... D14/137,  
D14/138, 147-148, 247-248, 144, 341-347;  
379/433.01-433.13, 434; D21/517; 455/575.3,  
455/566, 575.1, 550.1-90.3; 345/169; 348/376,  
348/14.02

See application file for complete search history.

(56) **References Cited**

**U.S. PATENT DOCUMENTS**

D485,248 S	*	1/2004	Ogawa	.....	D14/138
D487,443 S	*	3/2004	Yoon	.....	D14/138
D489,699 S	*	5/2004	Hwang et al.	.....	D14/138
D490,065 S	*	5/2004	Shimazu et al.	.....	D14/138
D490,792 S	*	6/2004	Lee	.....	D14/138
D491,907 S	*	6/2004	Ogawa	.....	D14/138
D495,672 S	*	9/2004	Jeon et al.	.....	D14/138
D496,019 S	*	9/2004	Okada et al.	.....	D14/138
D497,893 S	*	11/2004	Hwang et al.	.....	D14/138
D500,016 S	*	12/2004	Kim	.....	D14/138
D501,189 S	*	1/2005	Lodato et al.	.....	D14/138
D501,457 S	*	2/2005	Lee et al.	.....	D14/138
D501,839 S	*	2/2005	Lee et al.	.....	D14/138
D502,161 S	*	2/2005	Kim et al.	.....	D14/138
D502,458 S	*	3/2005	Chung et al.	.....	D14/138
D503,695 S	*	4/2005	Kota et al.	.....	D14/138
D505,125 S	*	5/2005	Ahn et al.	.....	D14/138
D505,126 S	*	5/2005	Ahn et al.	.....	D14/138
D506,454 S	*	6/2005	Kim et al.	.....	D14/138
D506,739 S	*	6/2005	Shin et al.	.....	D14/138

D507,252 S	*	7/2005	Kim et al.	.....	D14/138
D507,552 S	*	7/2005	Liang	.....	D14/138
D507,554 S	*	7/2005	Kim	.....	D14/138
D507,787 S	*	7/2005	Ahn et al.	.....	D14/138
D508,030 S	*	8/2005	Jeoung et al.	.....	D14/138
D508,034 S	*	8/2005	Liao	.....	D14/138
D508,239 S	*	8/2005	Kim et al.	.....	D14/138
D508,475 S	*	8/2005	Wu et al.	.....	D14/138
D508,476 S	*	8/2005	Kim	.....	D14/138
D508,684 S	*	8/2005	Lee et al.	.....	D14/138
D509,494 S	*	9/2005	Cho et al.	.....	D14/138
D509,816 S	*	9/2005	Kim et al.	.....	D14/138
D510,078 S	*	9/2005	Lee et al.	.....	D14/138
D510,079 S	*	9/2005	Kim et al.	.....	D14/138
2004/0248625 A1	*	12/2004	Yoshida et al.	.....	455/575.1
2005/0186985 A1	*	8/2005	Im et al.	.....	455/550.1

**FOREIGN PATENT DOCUMENTS**

JP	1154363	*	9/2002
JP	1167658	*	3/2003
JP	1188710	*	10/2003
WO	DM/064560	*	10/2003

\* cited by examiner

*Primary Examiner*—Jeffrey Asch

(74) *Attorney, Agent, or Firm*—Irving Keschner

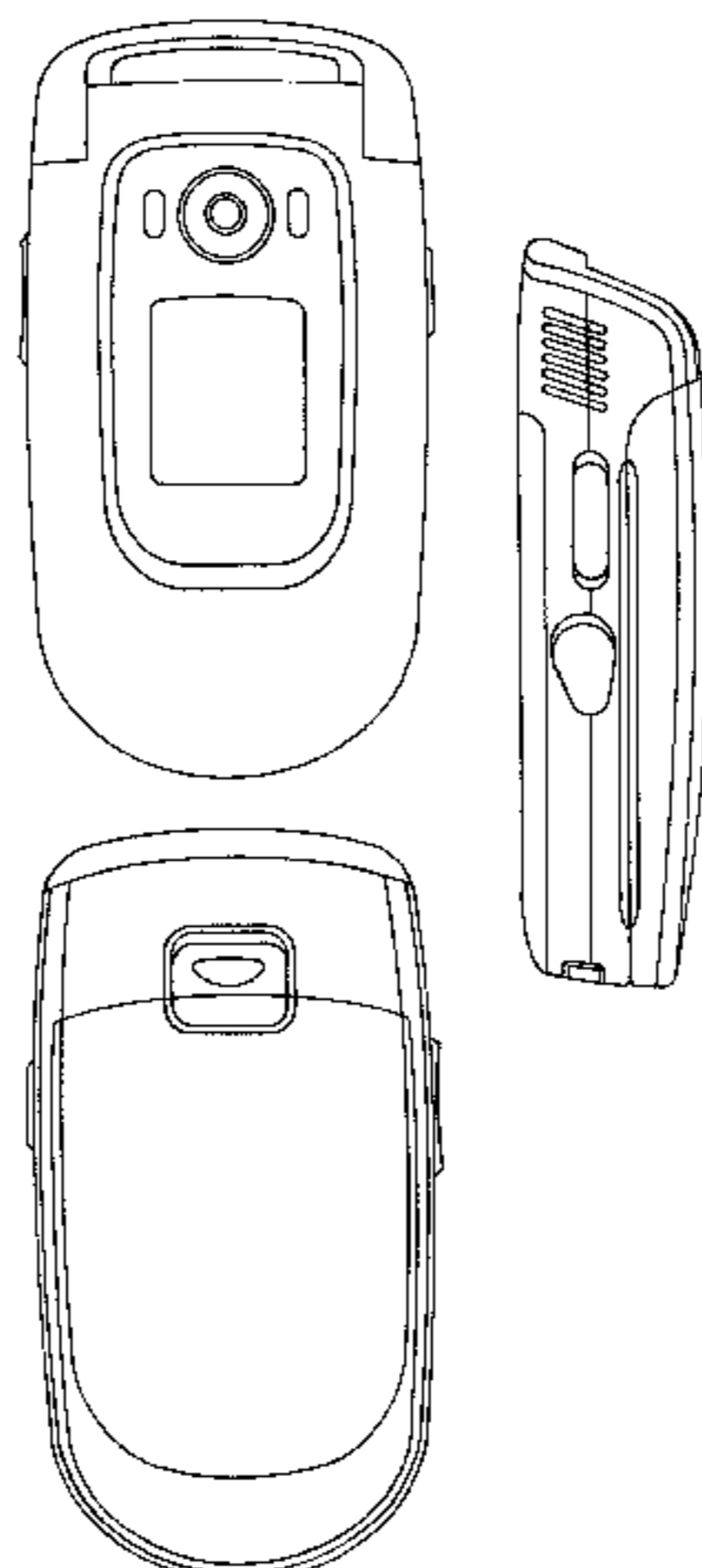
(57) **CLAIM**

The ornamental design for cellular phone, as shown.

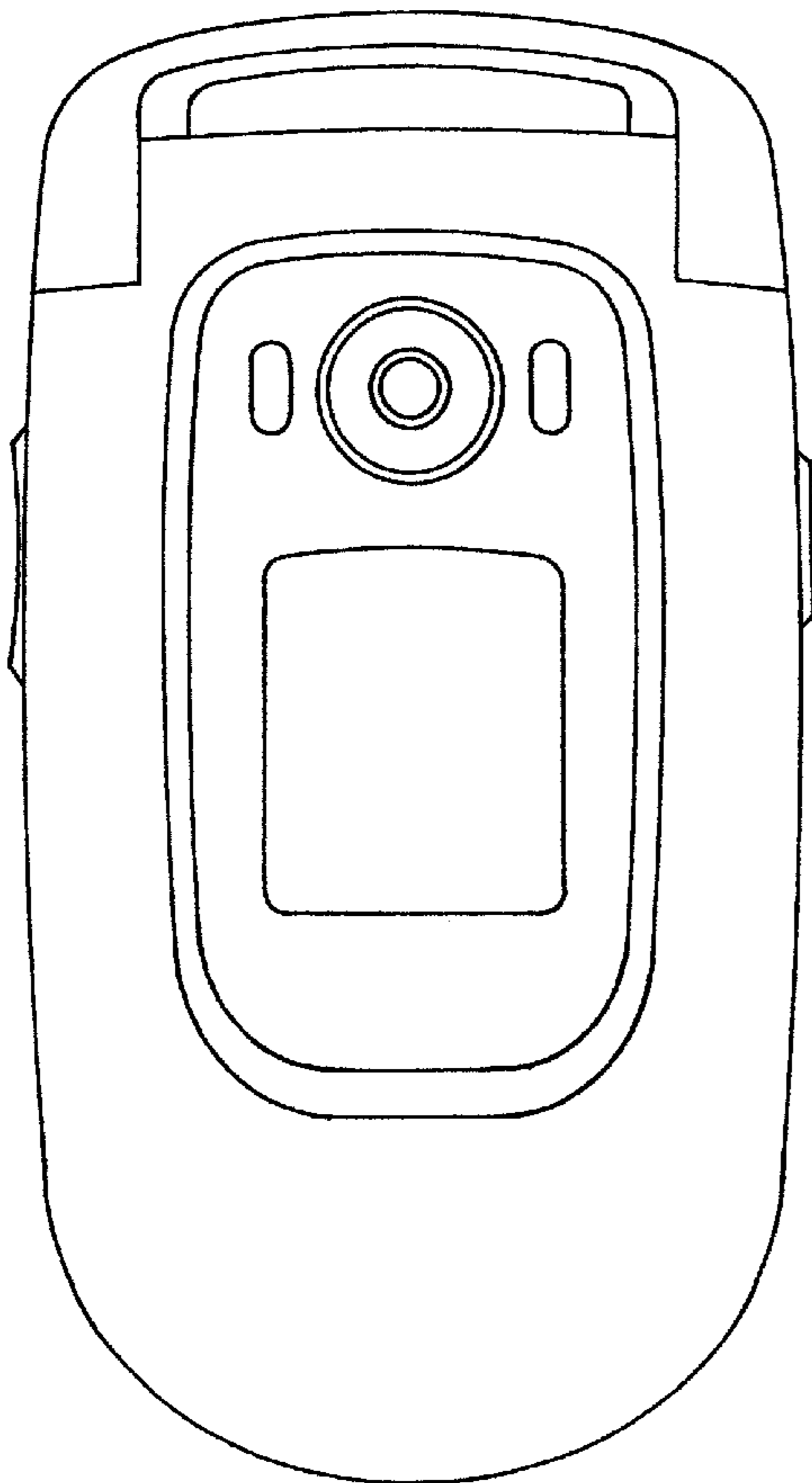
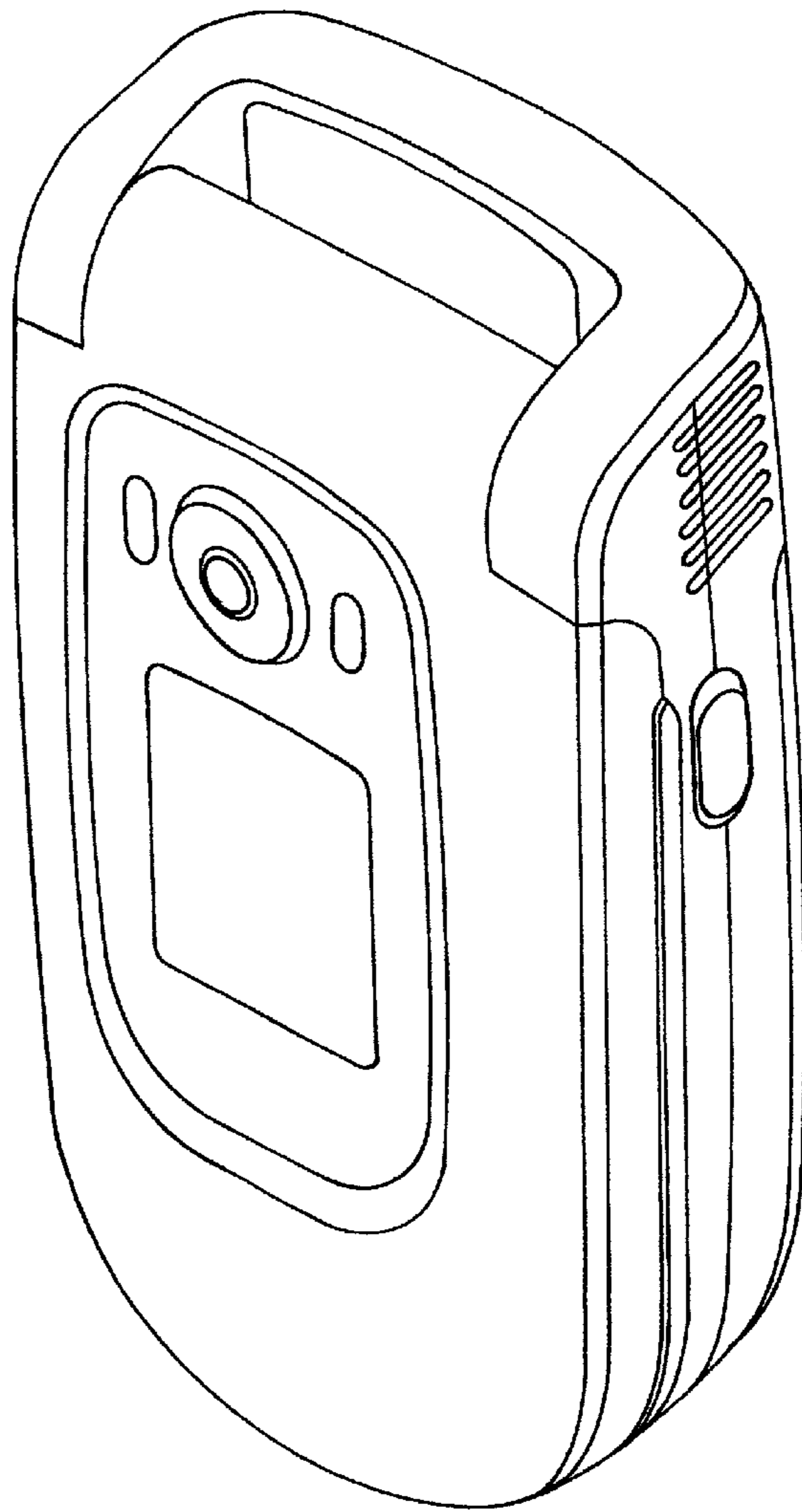
**DESCRIPTION**

FIG. 1 is a perspective view of the ornamental design of the present invention;  
 FIG. 2 is a front elevational view of the ornamental design of the present invention;  
 FIG. 3 is a rear elevational view of the ornamental design of the present invention;  
 FIG. 4 is a left side elevational view of the ornamental design of the present invention;  
 FIG. 5 is a right side elevational view of the ornamental design of the present invention;  
 FIG. 6 is a top plan view of the ornamental design of the present invention;  
 FIG. 7 is a bottom view of the ornamental design of the present invention; and,  
 FIG. 8 is a view of the cellular phone of the present invention in the open position.

**1 Claim, 3 Drawing Sheets**

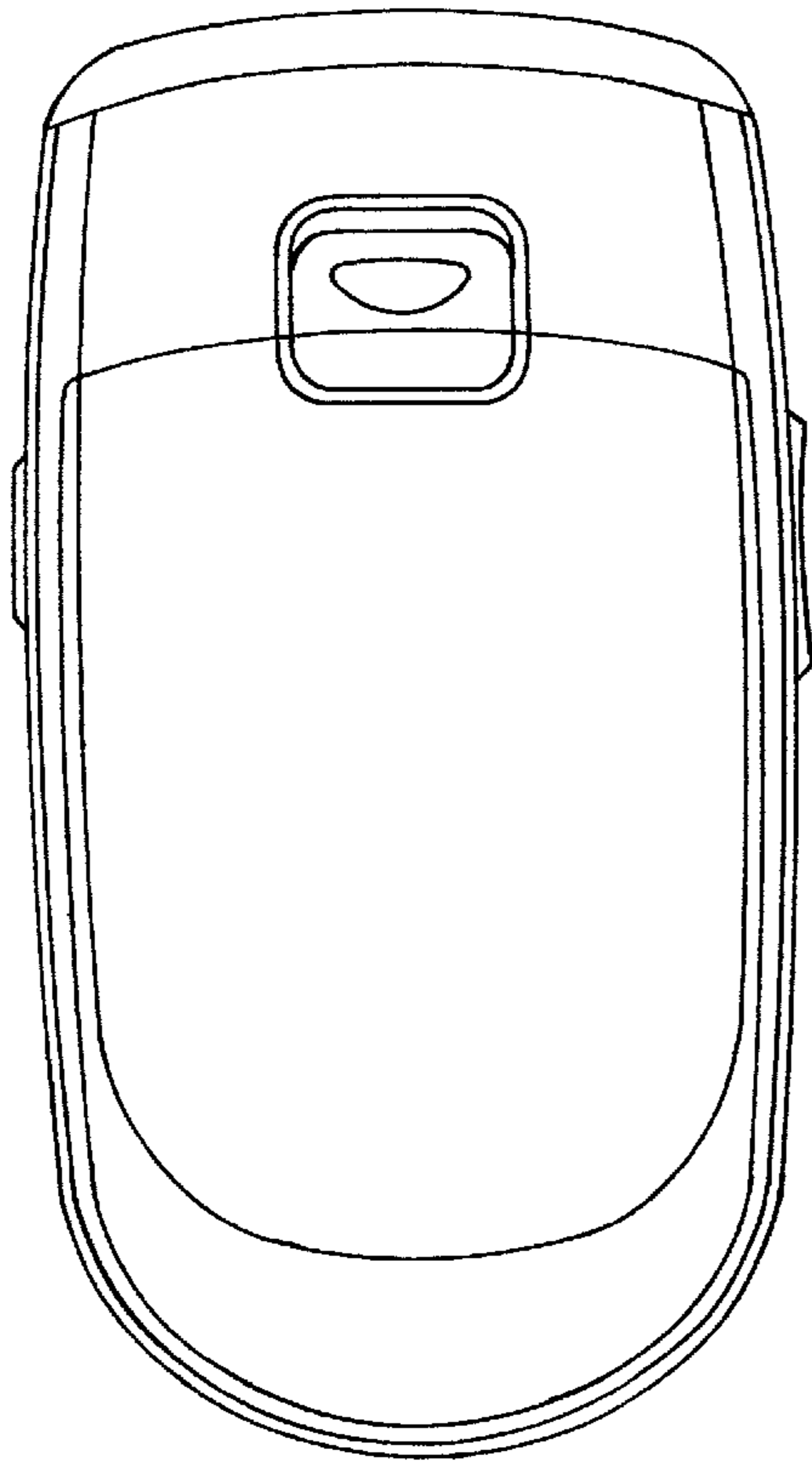


*FIG. 1*

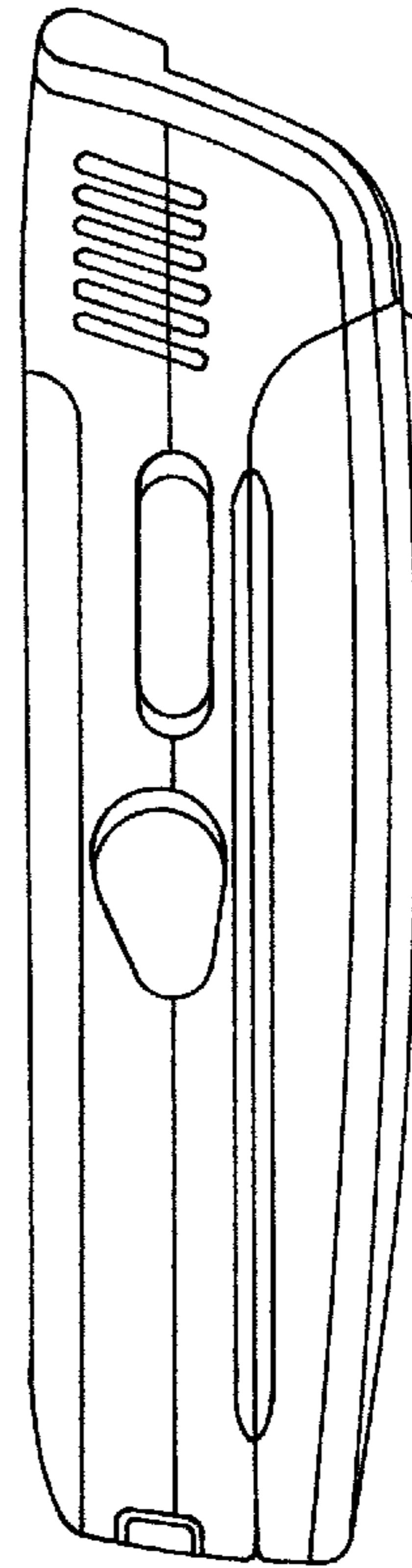


*FIG. 2*

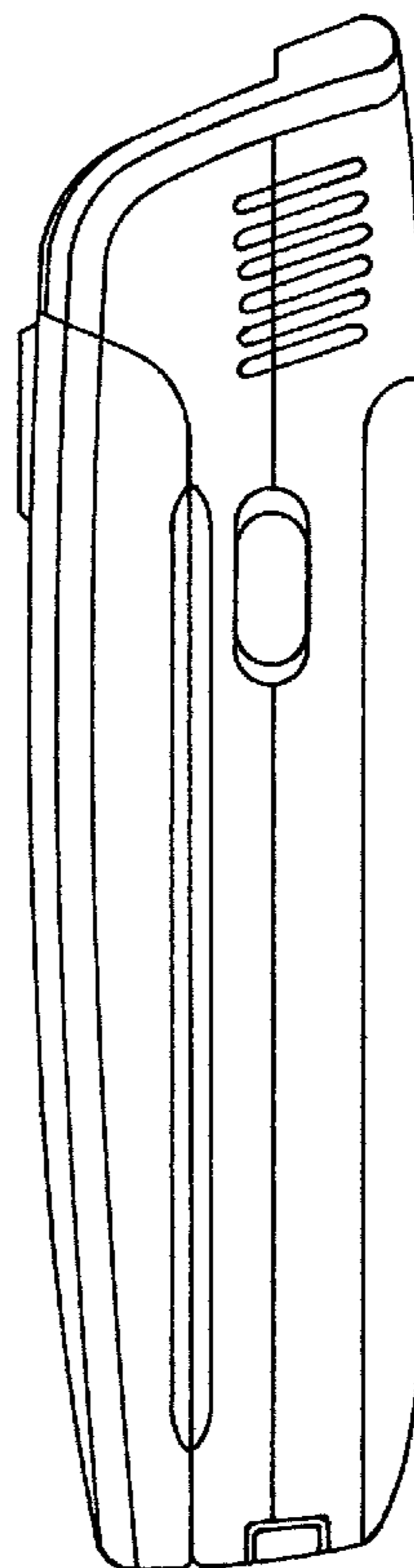
*FIG. 3*



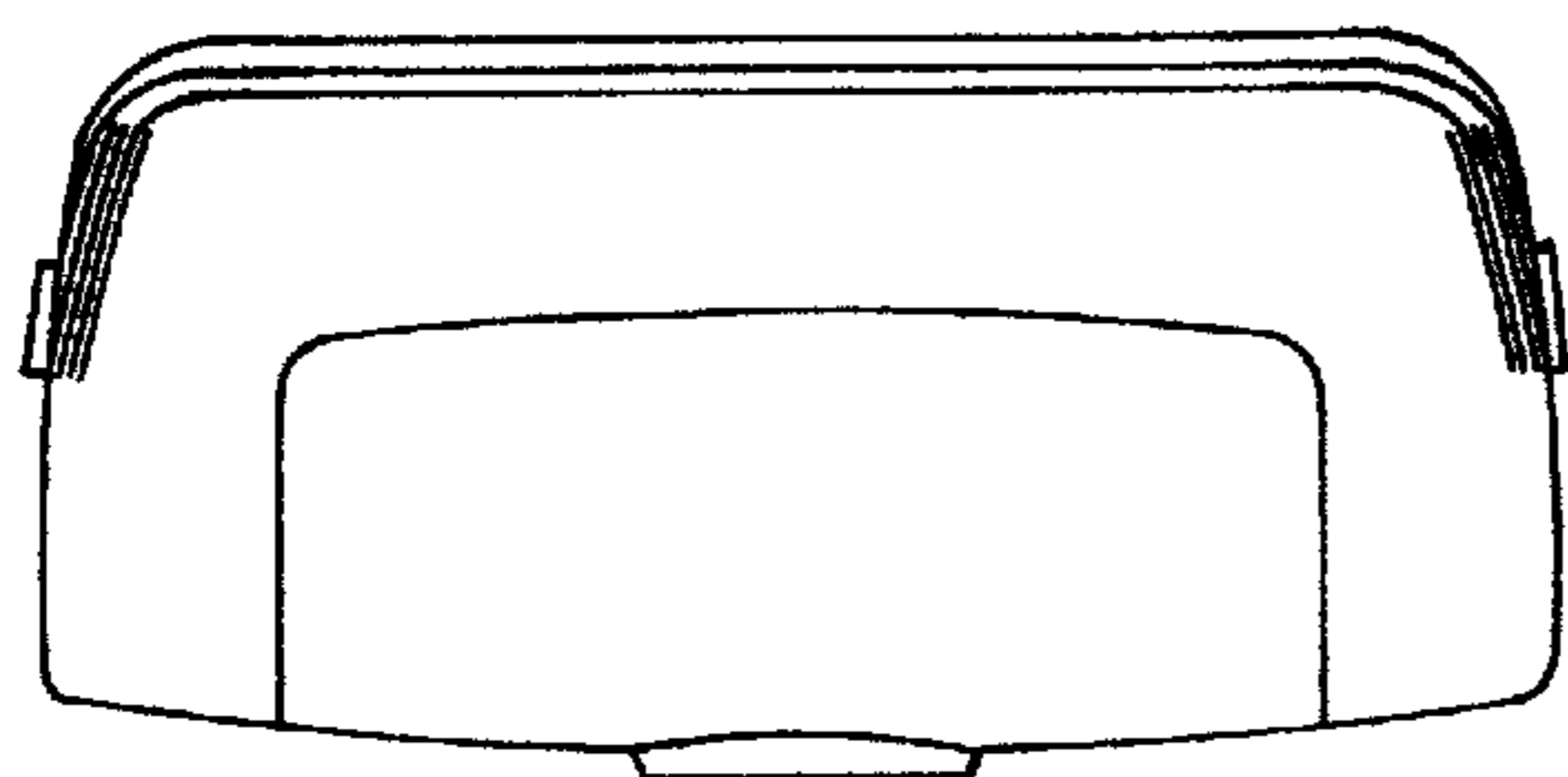
*FIG. 4*



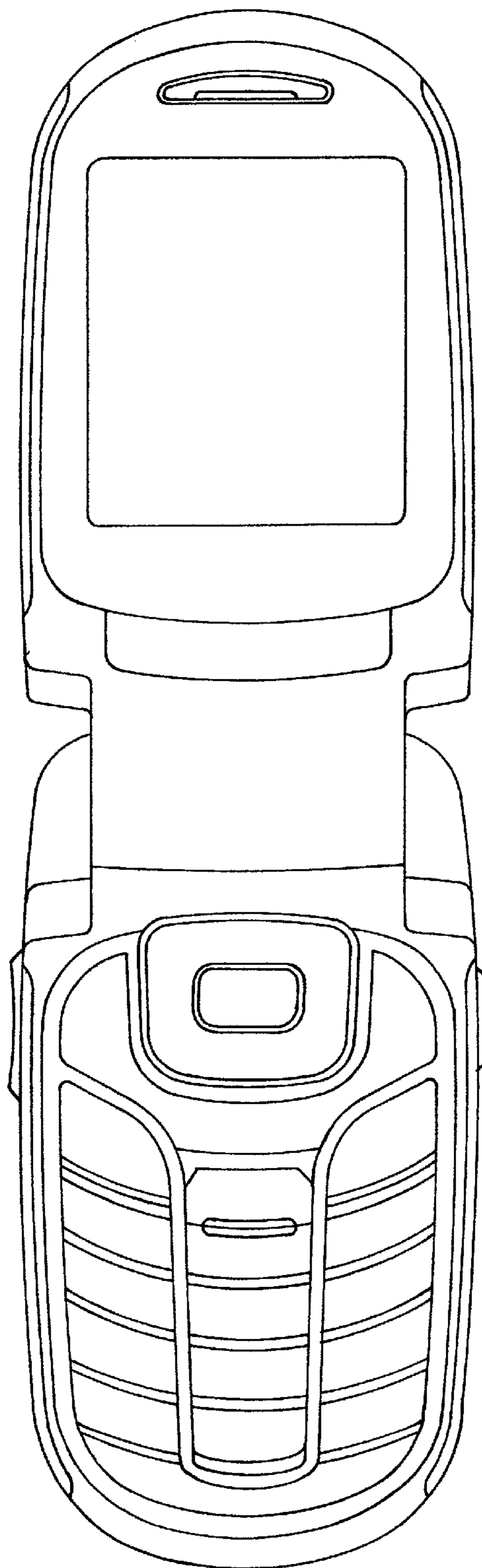
*FIG. 5*



*FIG. 6*



*FIG. 8*



*FIG. 7*

