

US00D520476S

(12) **United States Design Patent**  
**Hoehn et al.**

(10) **Patent No.:** **US D520,476 S**  
(45) **Date of Patent:** **\*\* May 9, 2006**

(54) **TELEVISION SET**  
(75) Inventors: **Holger Hoehn**, Taipei (TW); **Reinier Bloem**, Taipei (TW)  
(73) Assignee: **Hannspree, Inc.**, Taipei (TW)  
(\*\*) Term: **14 Years**

D424,534 S \* 5/2000 Priestman et al. .... D14/374  
6,227,966 B1 \* 5/2001 Yokoi ..... 446/175  
D474,468 S \* 5/2003 Zuege et al. .... D21/515  
D475,707 S \* 6/2003 Zuege et al. .... D21/515  
D476,654 S \* 7/2003 Zuege et al. .... D14/371  
D476,991 S \* 7/2003 Zuege et al. .... D14/371  
D496,660 S \* 9/2004 Liu ..... D14/371

\* cited by examiner

(21) Appl. No.: **29/228,326**  
(22) Filed: **Apr. 22, 2005**

*Primary Examiner*—Raphael Barkai  
(74) *Attorney, Agent, or Firm*—Bacon & Thomas, PLLC

(30) **Foreign Application Priority Data**

Nov. 23, 2004 (TW) ..... 93306959

(57) **CLAIM**

The ornamental design for a television set, as shown.

(51) **LOC (8) Cl.** ..... **14-03**  
(52) **U.S. Cl.** ..... **D14/132; D14/129; D14/126**  
(58) **Field of Classification Search** ..... D14/125–134,  
D14/239, 371, 136, 374–377; 312/7.2; 348/836,  
348/838, 180, 184, 325, 739; 341/12; 248/917–924,  
248/465; 345/104, 133, 156, 168, 87, 173;  
720/605, 669, 600, 655; 369/99, 197; 455/344–347  
See application file for complete search history.

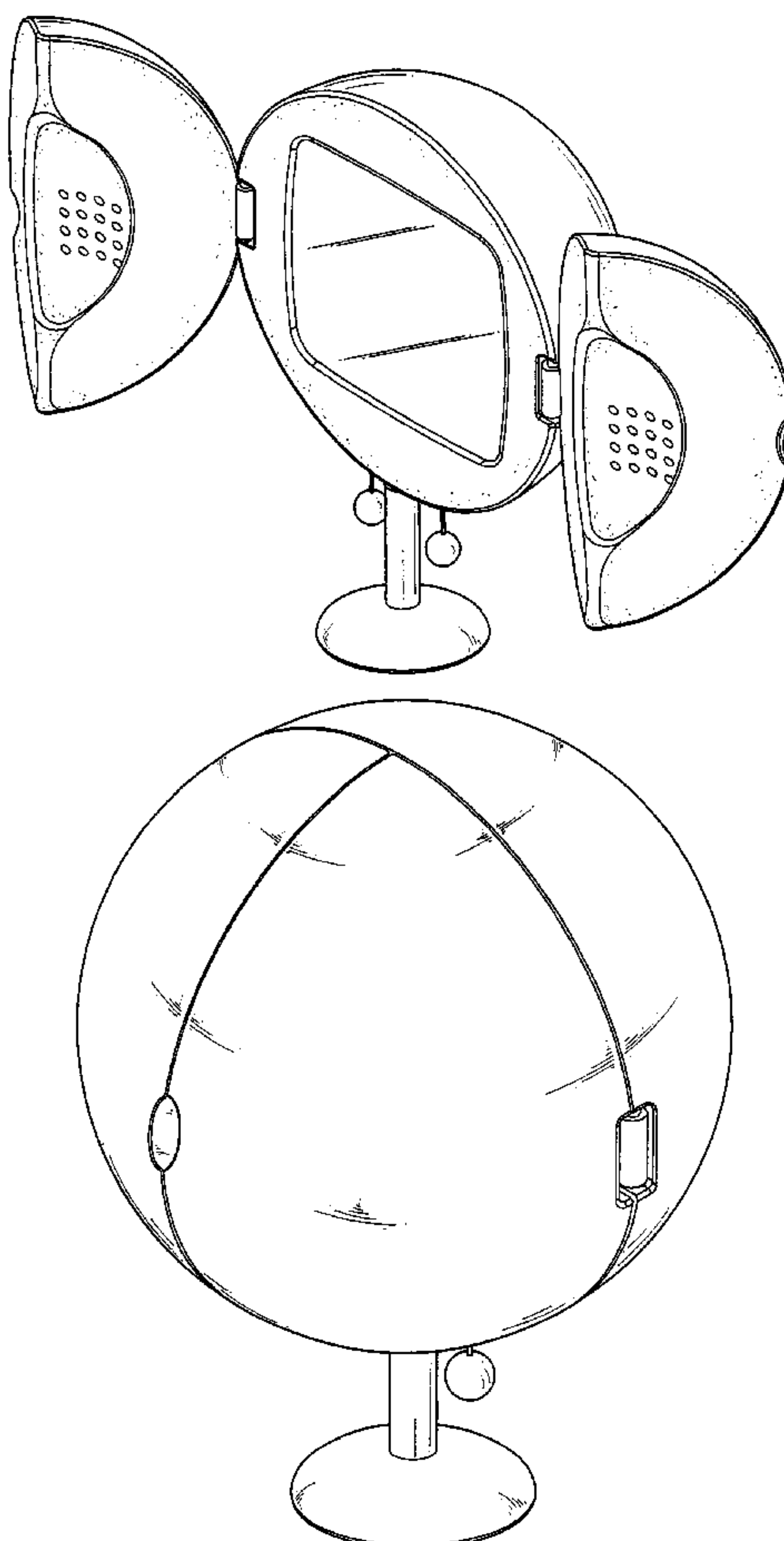
**DESCRIPTION**

FIG. 1 is a perspective view of a television set showing my new design;  
FIG. 2 is a front elevational view thereof;  
FIG. 3 is a rear elevational view thereof;  
FIG. 4 is a left side elevational view thereof;  
FIG. 5 is a right side elevational view thereof;  
FIG. 6 is a top plan view thereof;  
FIG. 7 is a bottom plan view thereof; and,  
FIG. 8 is a perspective view showing a closed state of this design.

(56) **References Cited**  
U.S. PATENT DOCUMENTS

D209,710 S \* 12/1967 Bruce ..... D14/133

**1 Claim, 5 Drawing Sheets**



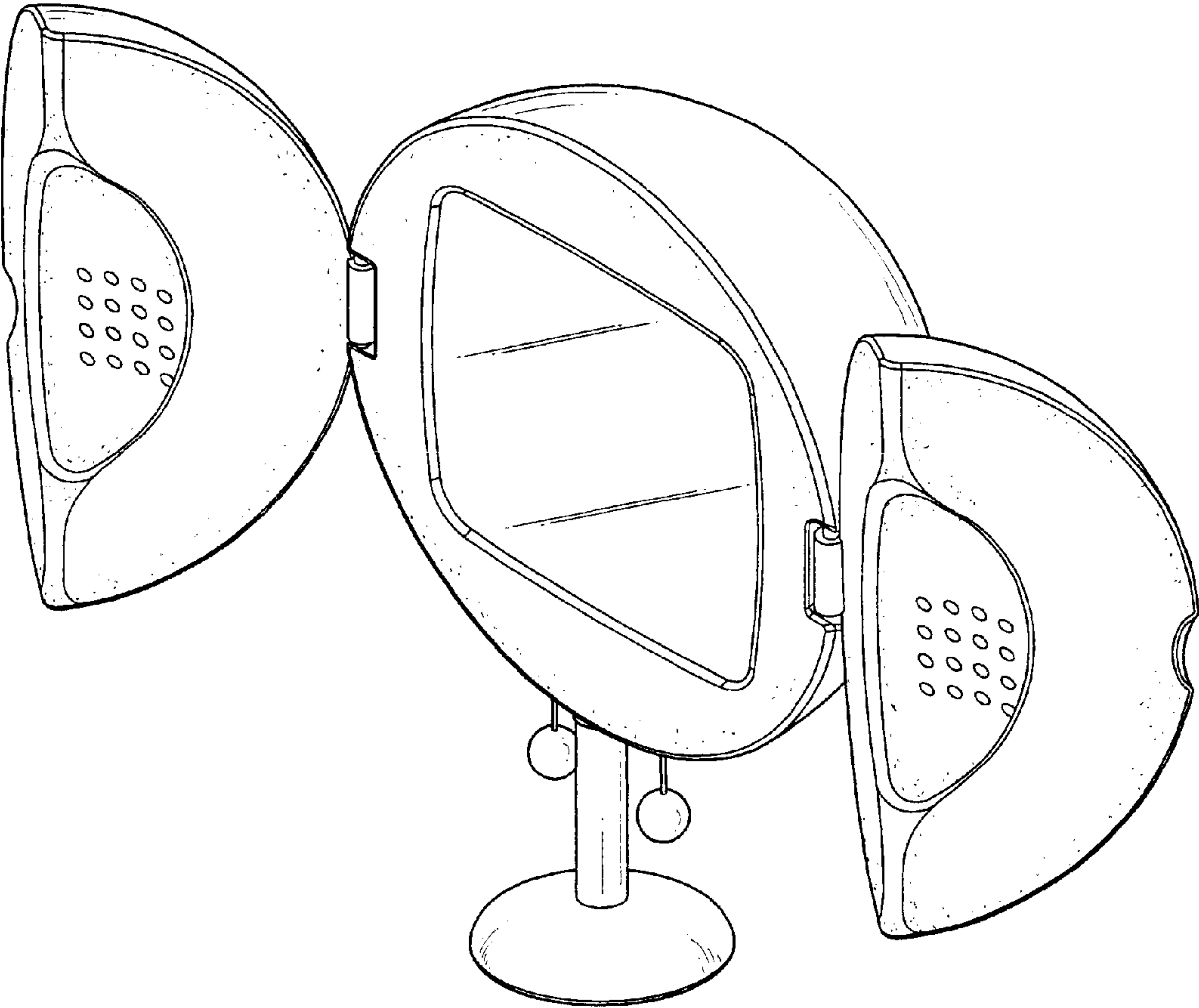


FIG. 1

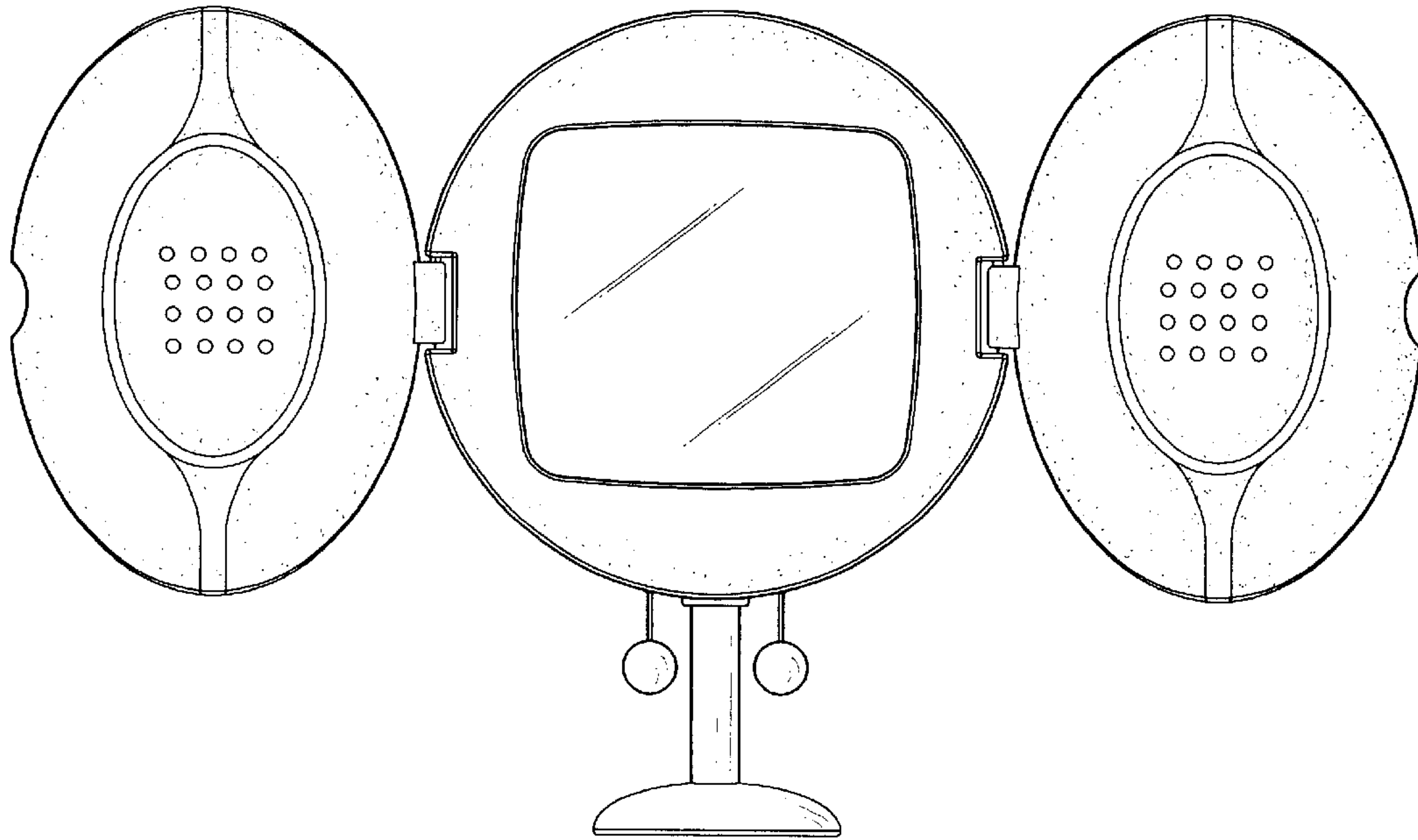


FIG. 2

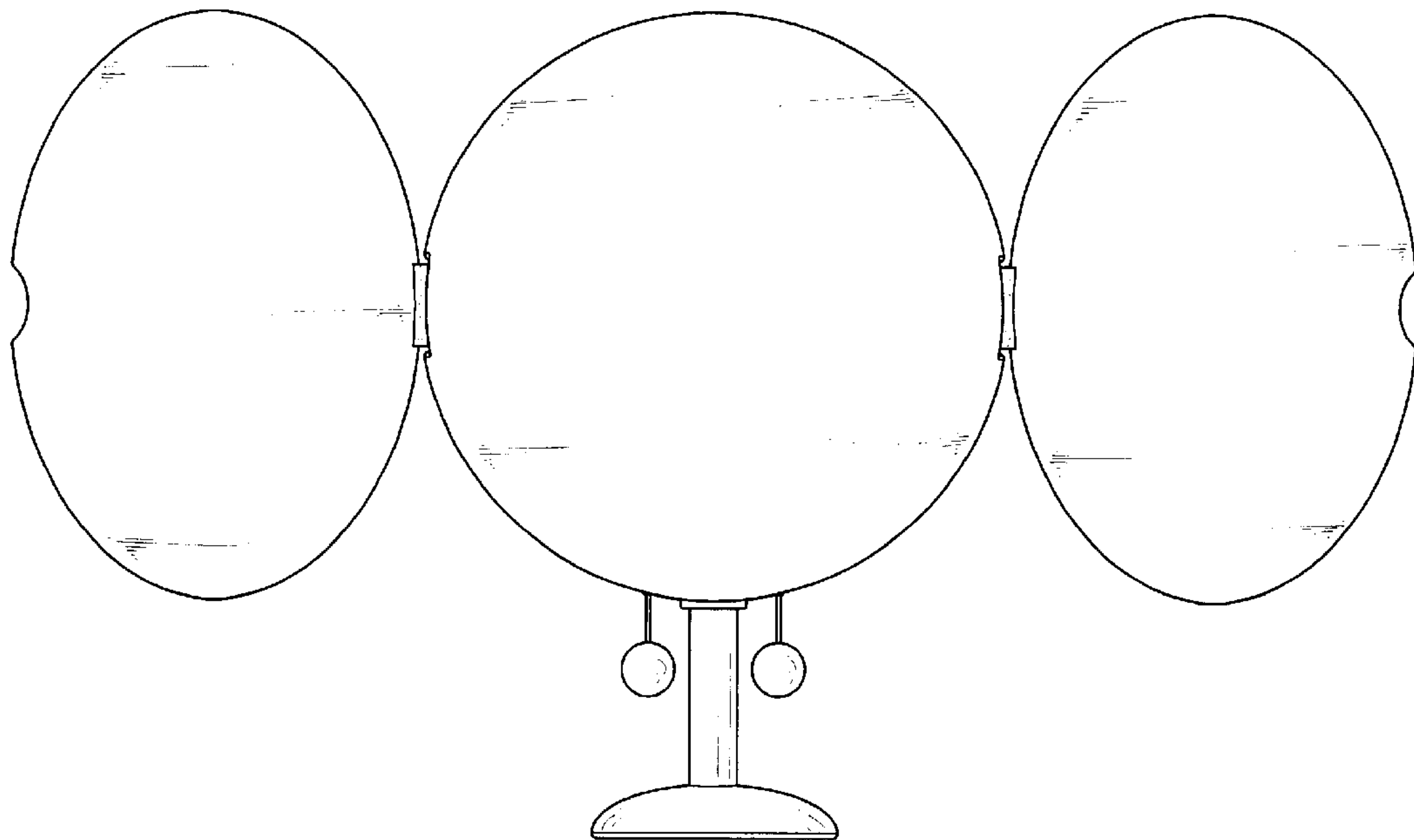


FIG. 3

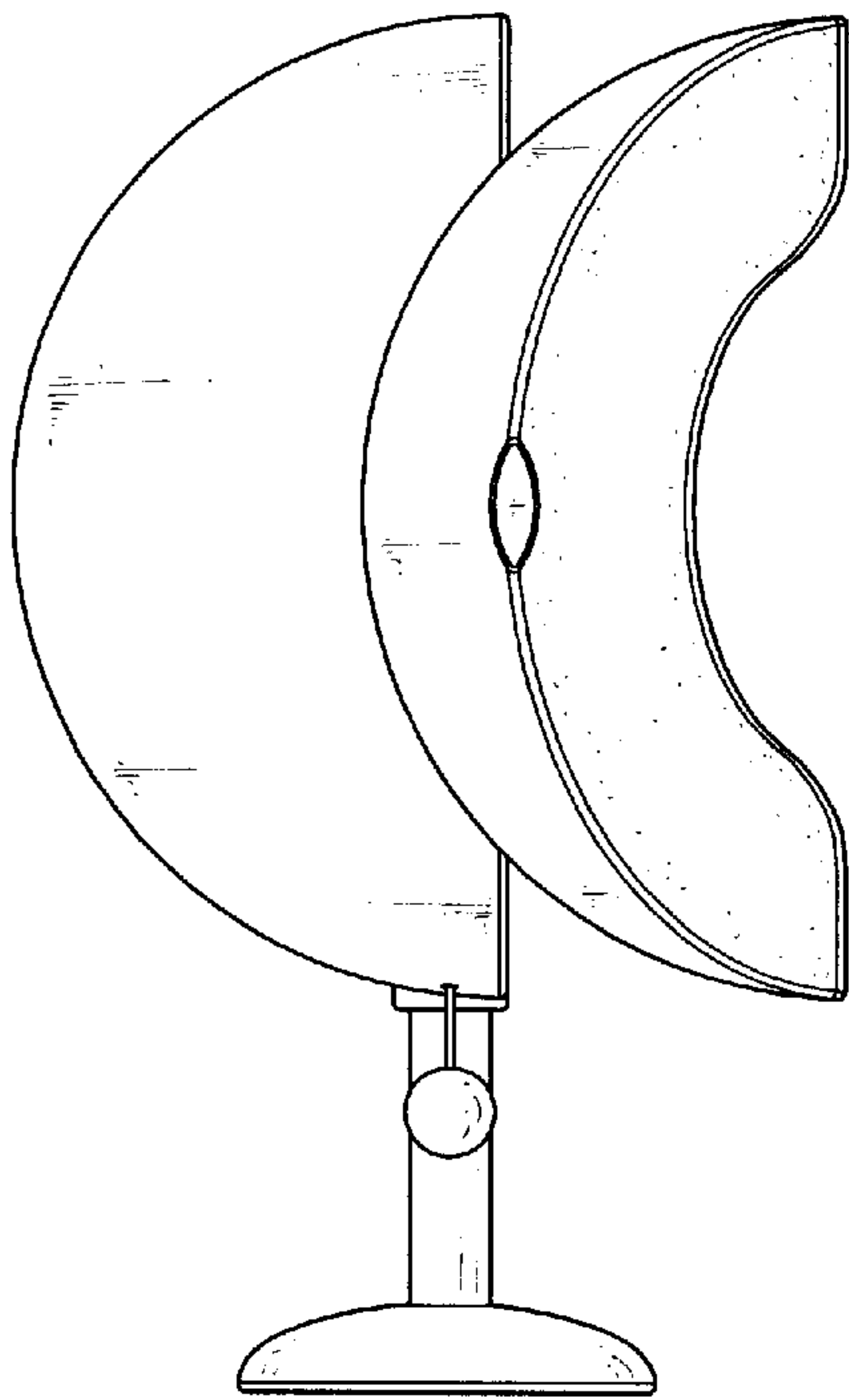


FIG. 4

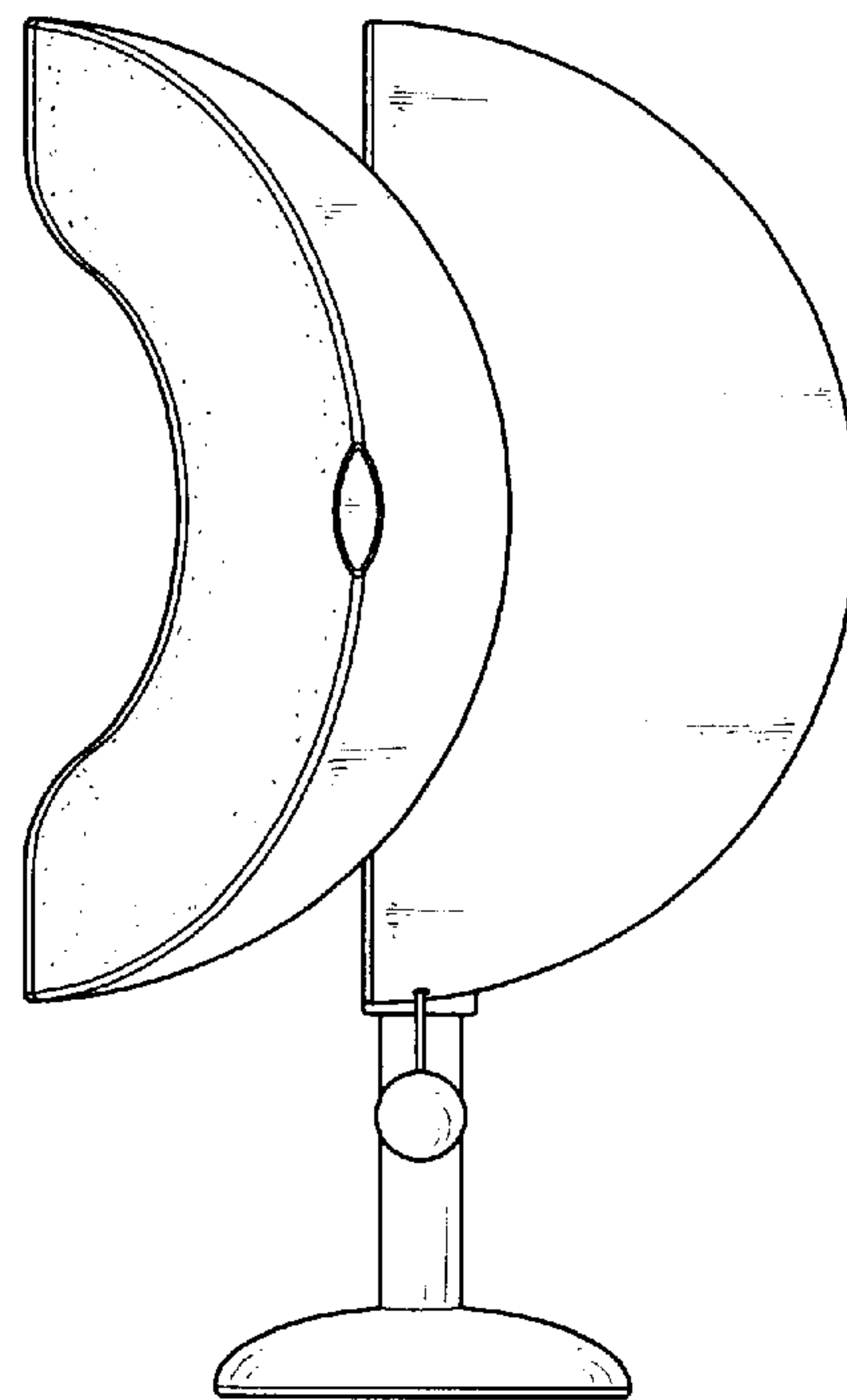


FIG. 5

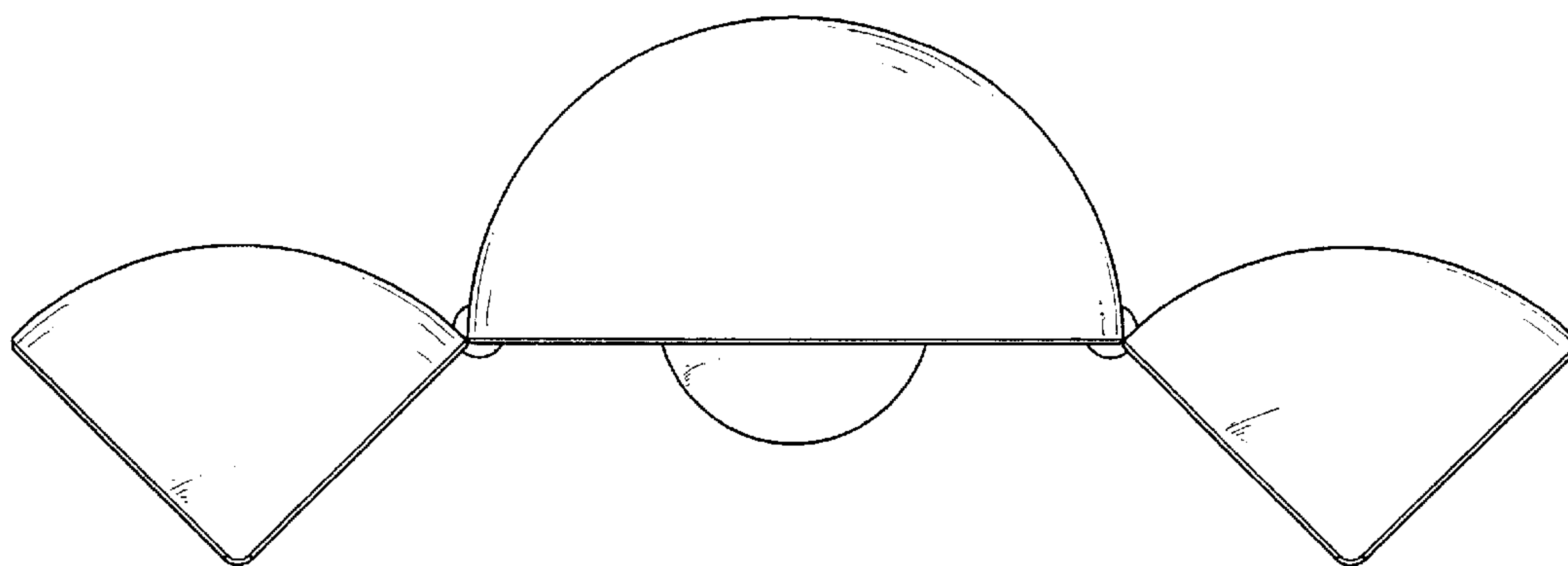


FIG. 6

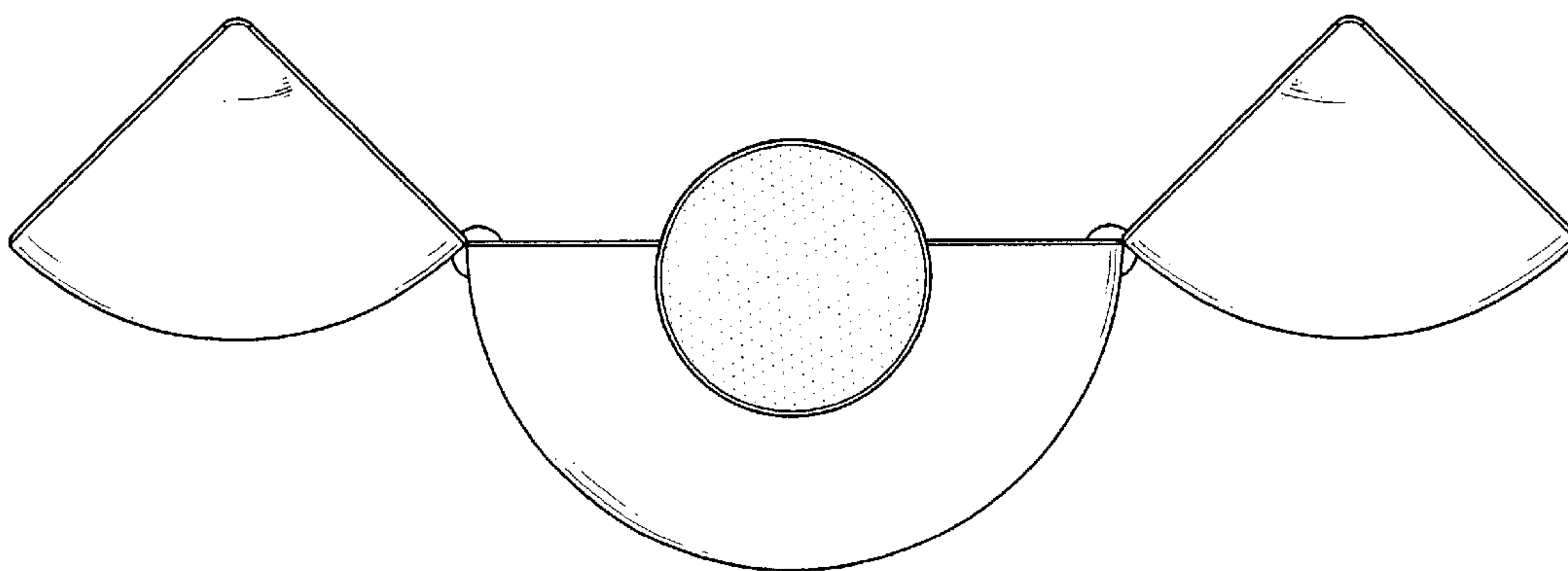


FIG. 7

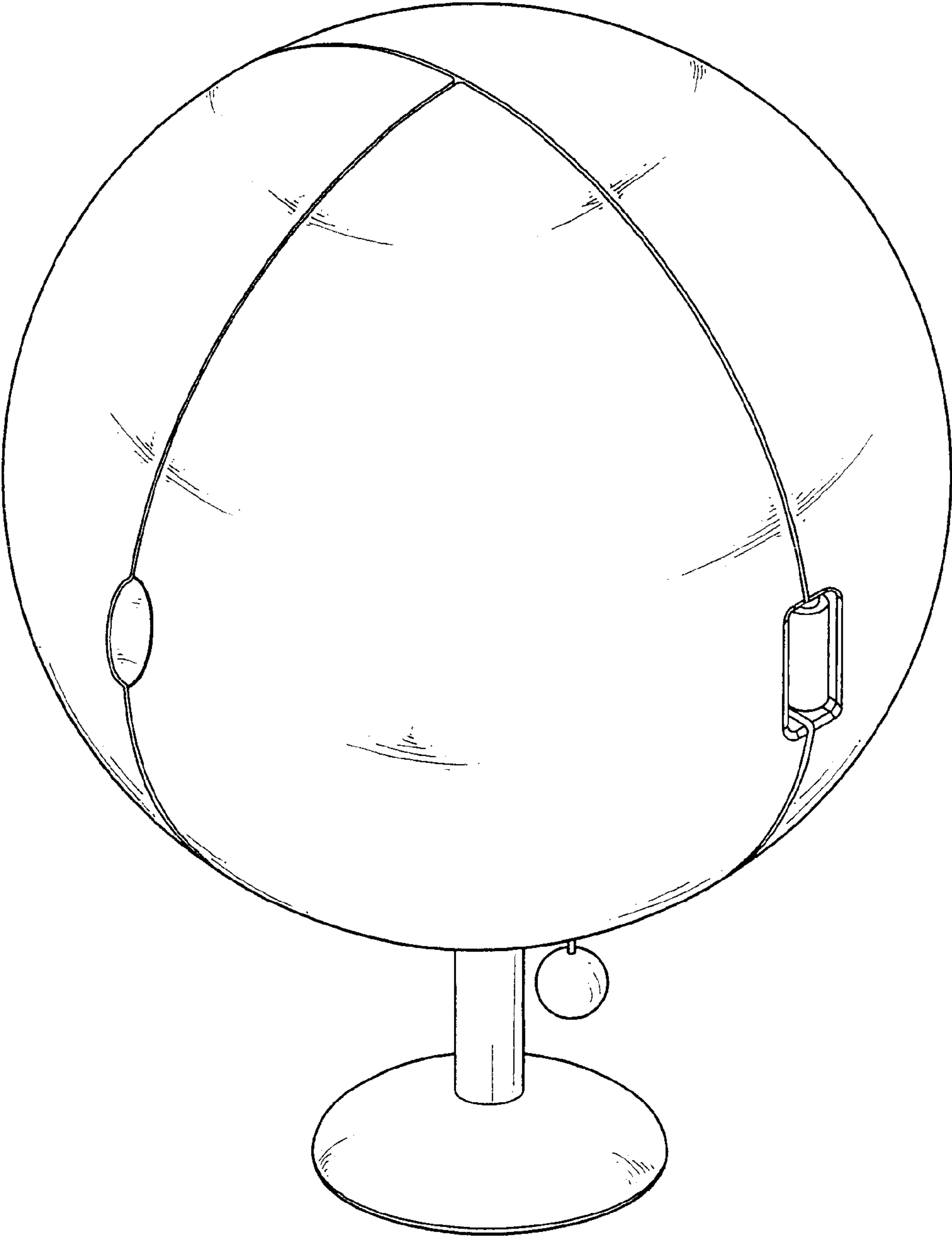


FIG. 8