



US00D520466S

(12) **United States Design Patent**
Kamiya et al.

(10) **Patent No.:** **US D520,466 S**

(45) **Date of Patent:** **** May 9, 2006**

(54) **RECTIFIER ELEMENT DIODE**

(75) Inventors: **Kenji Kamiya**, Kawasaki (JP);
Hirofumi Nakayama, Chigasaki (JP);
Yuji Abe, Mobara (JP); **Taizou Hukuhara**, Chiba-ken (JP); **Katsuhiko Okazawa**, Mobara (JP)

(73) Assignee: **Kabushiki Kaisha Toshiba** (JP)

(**) Term: **14 Years**

(21) Appl. No.: **29/201,133**

(22) Filed: **Mar. 11, 2004**

(30) **Foreign Application Priority Data**

Oct. 1, 2003 (JP) 2003-028848

(51) **LOC (8) Cl.** **13-03**

(52) **U.S. Cl.** **D13/180**

(58) **Field of Classification Search** D13/180,
D13/182; 174/52.1, 52.2, 52.4; 257/666,
257/669, 675, 676, 678, 690, 692, 696, 697,
257/730, 787; 361/534, 773, 820; 438/64,
438/65

See application file for complete search history.

(56) **References Cited**

U.S. PATENT DOCUMENTS

4,523,371 A * 6/1985 Wakashima 29/827
5,216,584 A * 6/1993 Okazaki et al. 361/534
5,461,539 A * 10/1995 Kuriyama et al. 361/534

6,188,566 B1 * 2/2001 Aoyama 361/534
D444,132 S 6/2001 Iwanishi et al.
6,538,306 B1 * 3/2003 Inada et al. 257/666
2002/0096756 A1 * 7/2002 Kobayakawa 257/687

FOREIGN PATENT DOCUMENTS

JP 728918 4/1988
JP 1163100 1/2003

OTHER PUBLICATIONS

Toshiba Catalog (BCJ0001A); p. 10; Feb., 2003.

* cited by examiner

Primary Examiner—Stella Reid
Assistant Examiner—Selina Sikder

(74) *Attorney, Agent, or Firm*—Banner & Witcoff, Ltd.

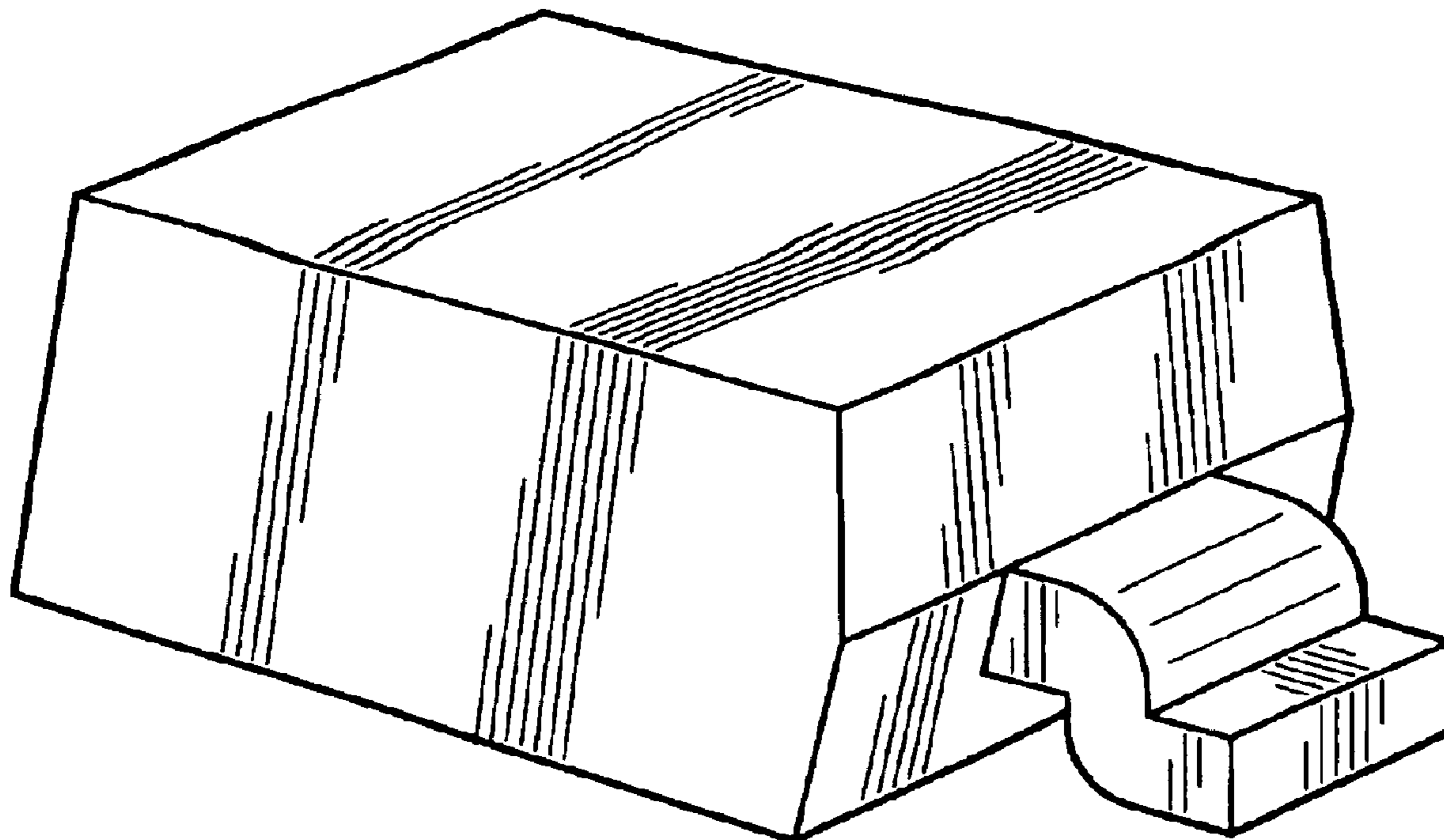
(57) **CLAIM**

The ornamental design for a rectifier element diode, as shown and described.

DESCRIPTION

FIG. 1 is a front, top and right side perspective view of a rectifier element diode, showing our new design;
FIG. 2 is a top plan view thereof;
FIG. 3 is a front elevational view thereof; the opposite side being a mirror image thereof;
FIG. 4 is a right side elevational view thereof;
FIG. 5 is a bottom plan view thereof; and,
FIG. 6 is a left side elevational view thereof.

1 Claim, 2 Drawing Sheets



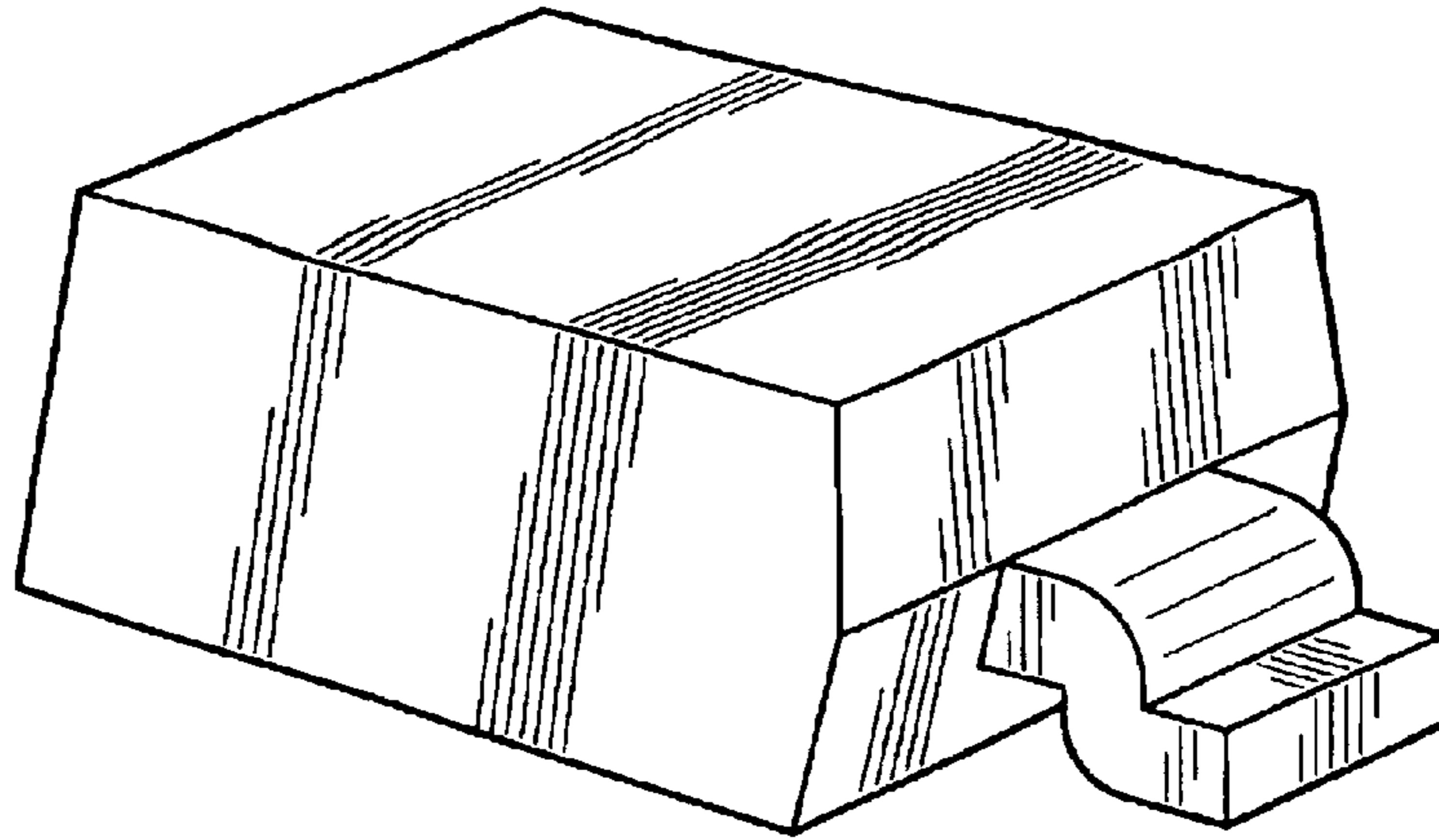


FIG. 1

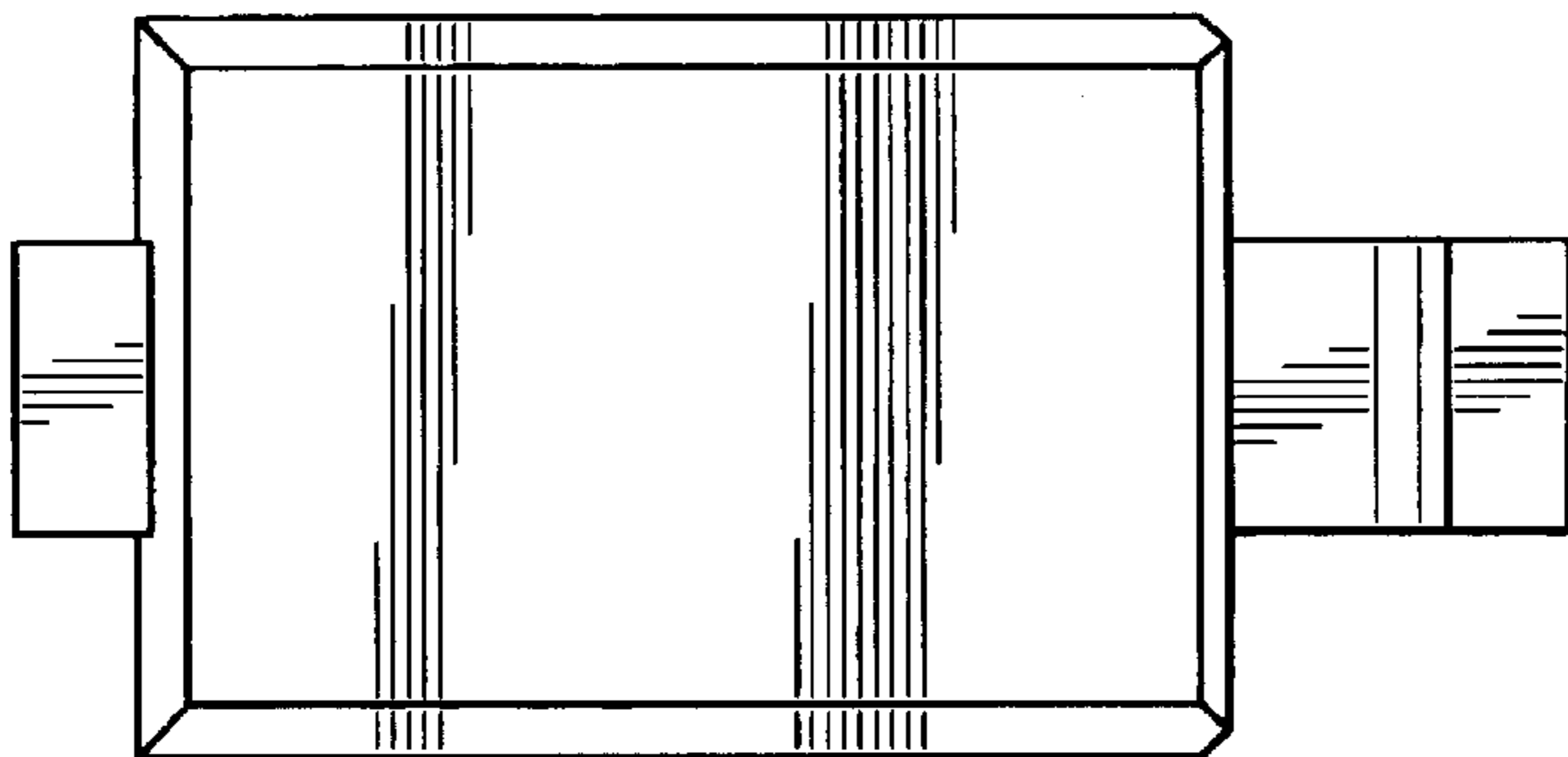


FIG. 2

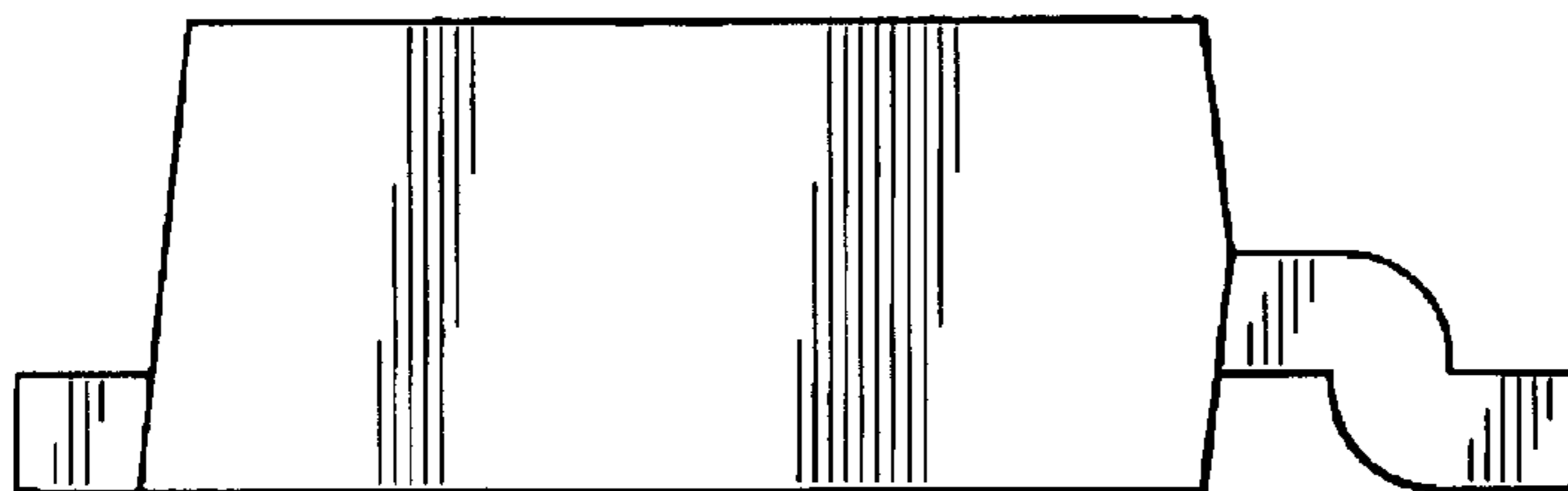


FIG. 3

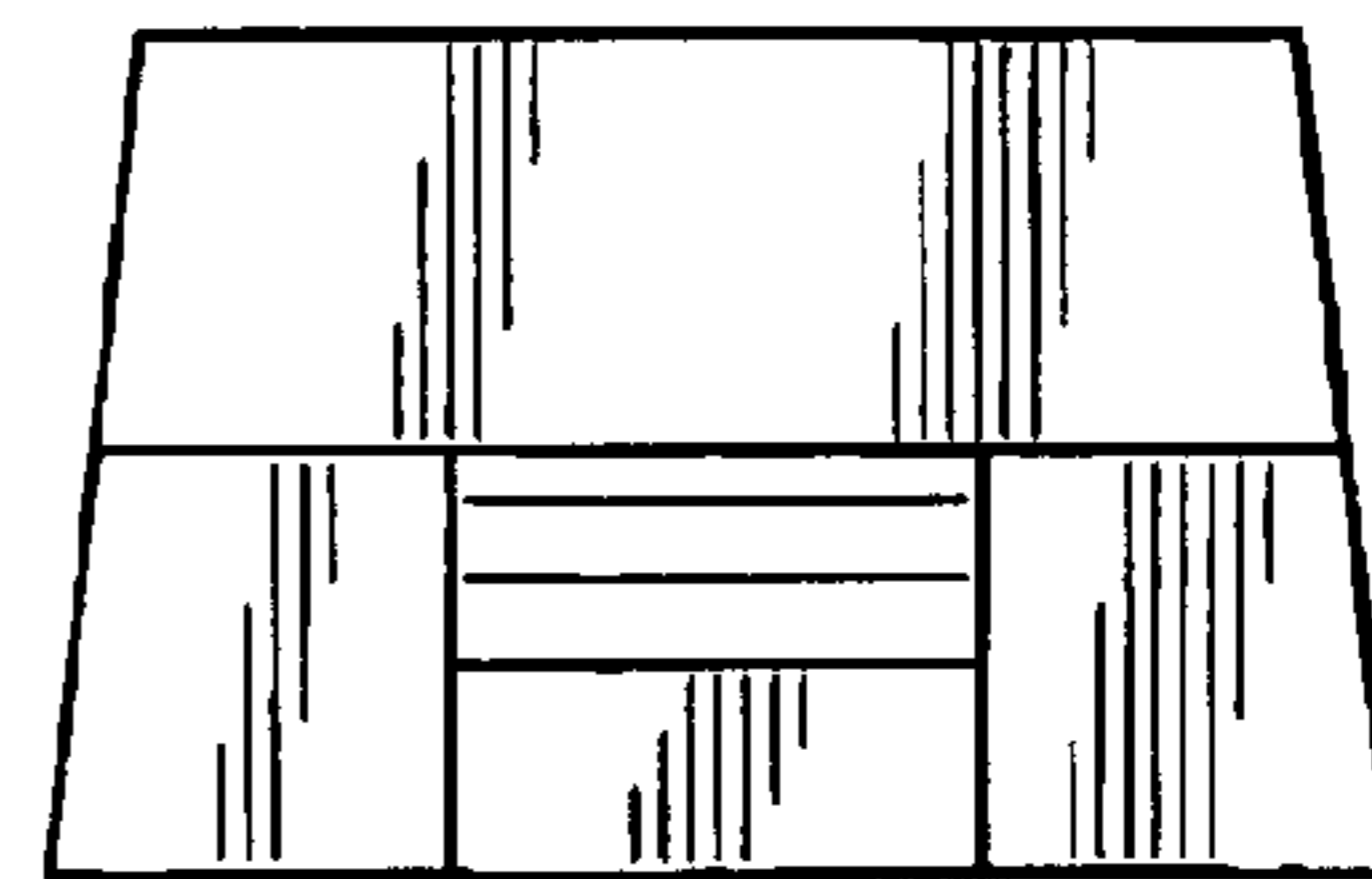


FIG. 4

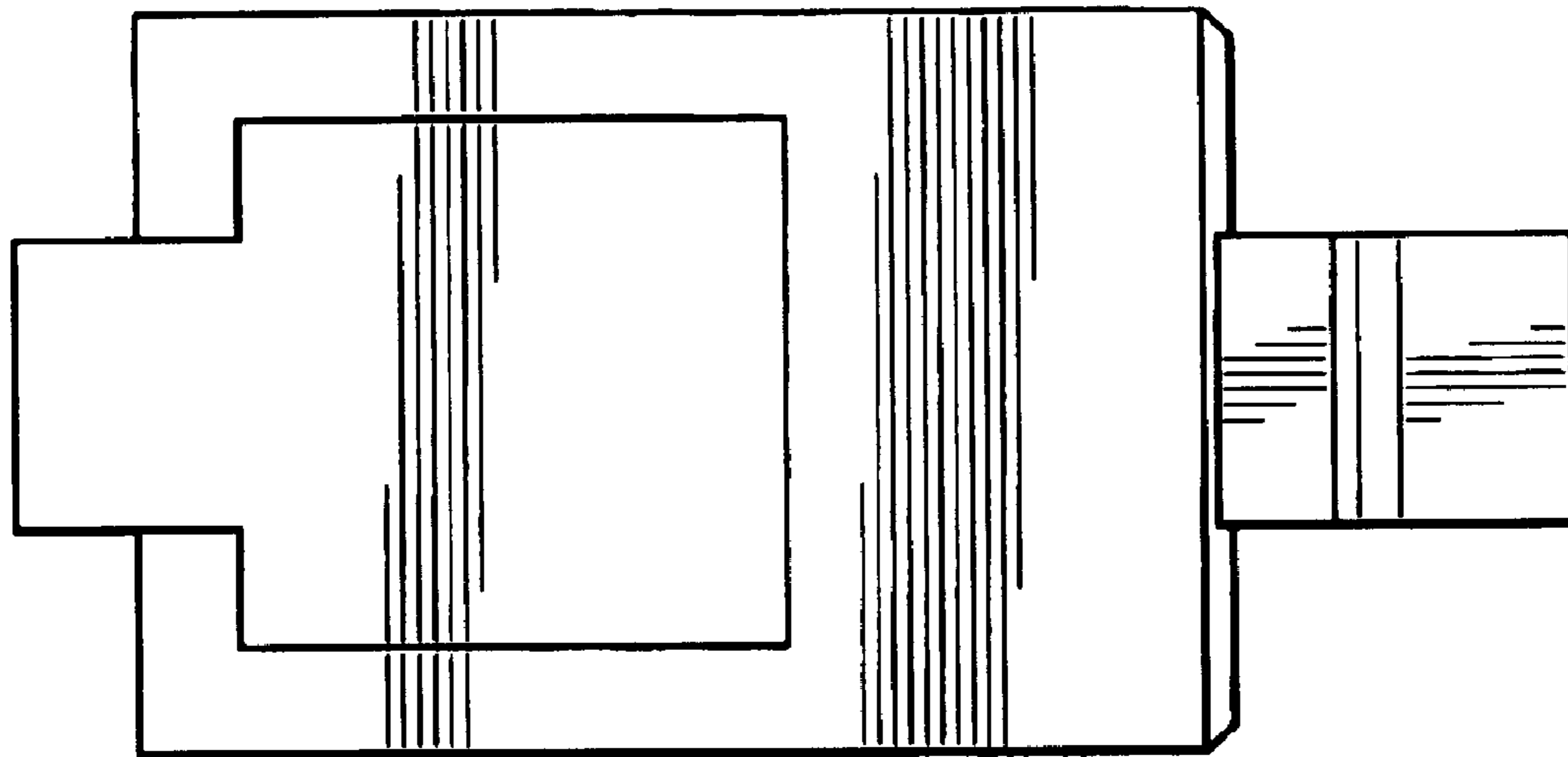


FIG. 5

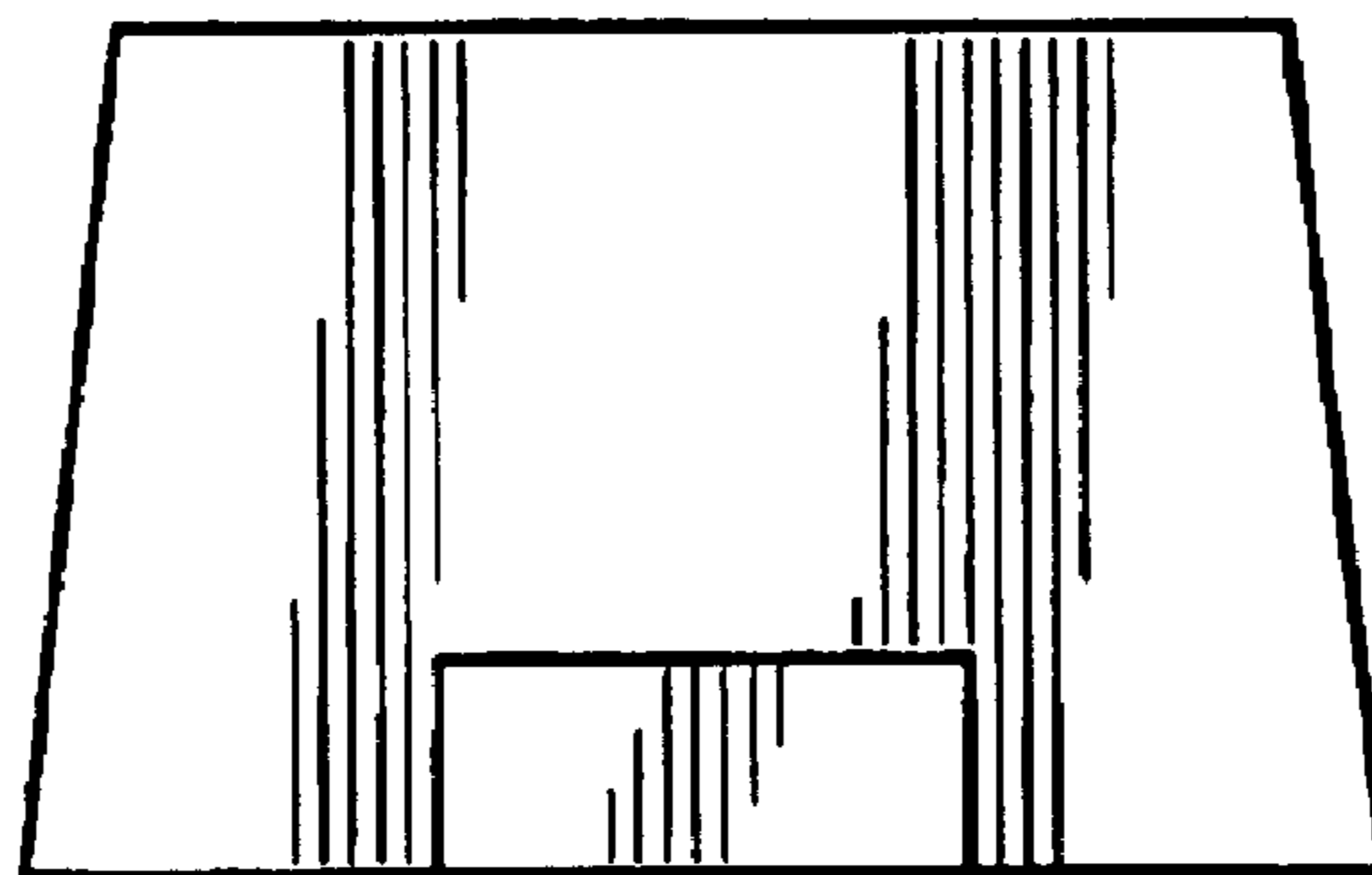


FIG. 6