

US00D520465S

(12) **United States Design Patent**
Guercio

(10) **Patent No.:** **US D520,465 S**

(45) **Date of Patent:** **** May 9, 2006**

(54) **UNIVERSAL COVERPLATE**

(75) **Inventor:** **Vincenzo Guercio**, Wallkill, NY (US)

(73) **Assignee:** **RAB Lighting, Inc.**, Northvale, NJ (US)

(**) **Term:** **14 Years**

(21) **Appl. No.:** **29/174,749**

(22) **Filed:** **Jan. 23, 2003**

(51) **LOC (8) Cl.** **13-03**

(52) **U.S. Cl.** **D13/177**

(58) **Field of Classification Search** D13/156,
D13/177; D8/353; 174/50, 58, 66, 67; 200/333;
220/3.2, 3.4, 3.5, 3.6, 3.7, 3.8, 241, 242
See application file for complete search history.

(56) **References Cited**

U.S. PATENT DOCUMENTS

4,895,999 A * 1/1990 Calderon 174/67
5,045,640 A * 9/1991 Riceman 174/67

D345,142 S * 3/1994 Porter D13/156
6,222,125 B1 * 4/2001 Shoemaker 174/67
D471,160 S * 3/2003 Mason D13/156
D502,687 S * 3/2005 Sherman D13/156

* cited by examiner

Primary Examiner—Stella Reid
Assistant Examiner—Selina Sikder

(74) *Attorney, Agent, or Firm*—Darby & Darby

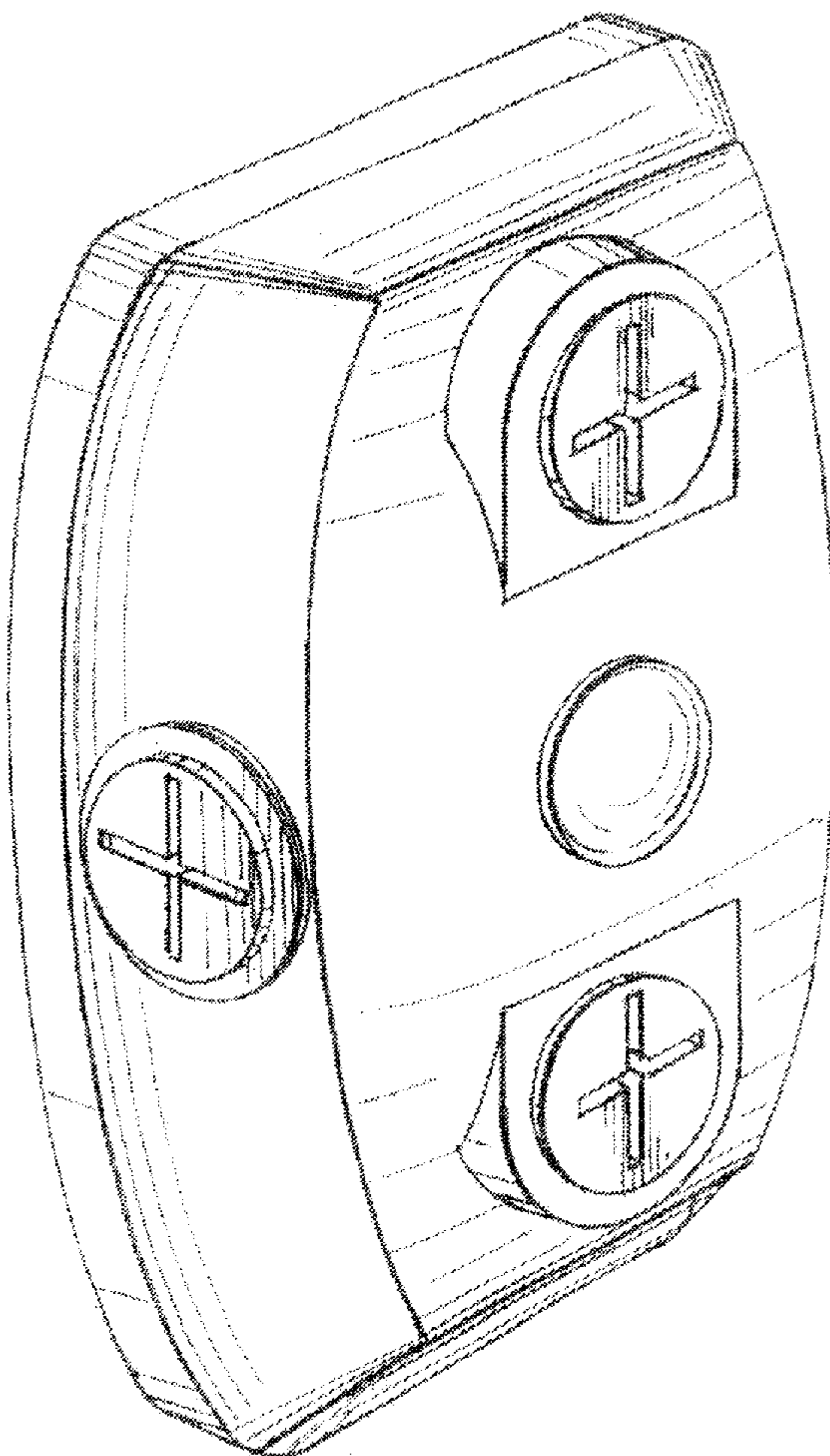
(57) **CLAIM**

The ornamental design for a universal coverplate, as shown.

DESCRIPTION

FIG. 1 is a front isometric view of the universal coverplate;
FIG. 2 is a front view thereof;
FIG. 3 is a top view thereof;
FIG. 4 is a bottom view thereof;
FIG. 5 is a back view thereof;
FIG. 6 is a right view thereof; and,
FIG. 7 is a left view thereof.

1 Claim, 3 Drawing Sheets



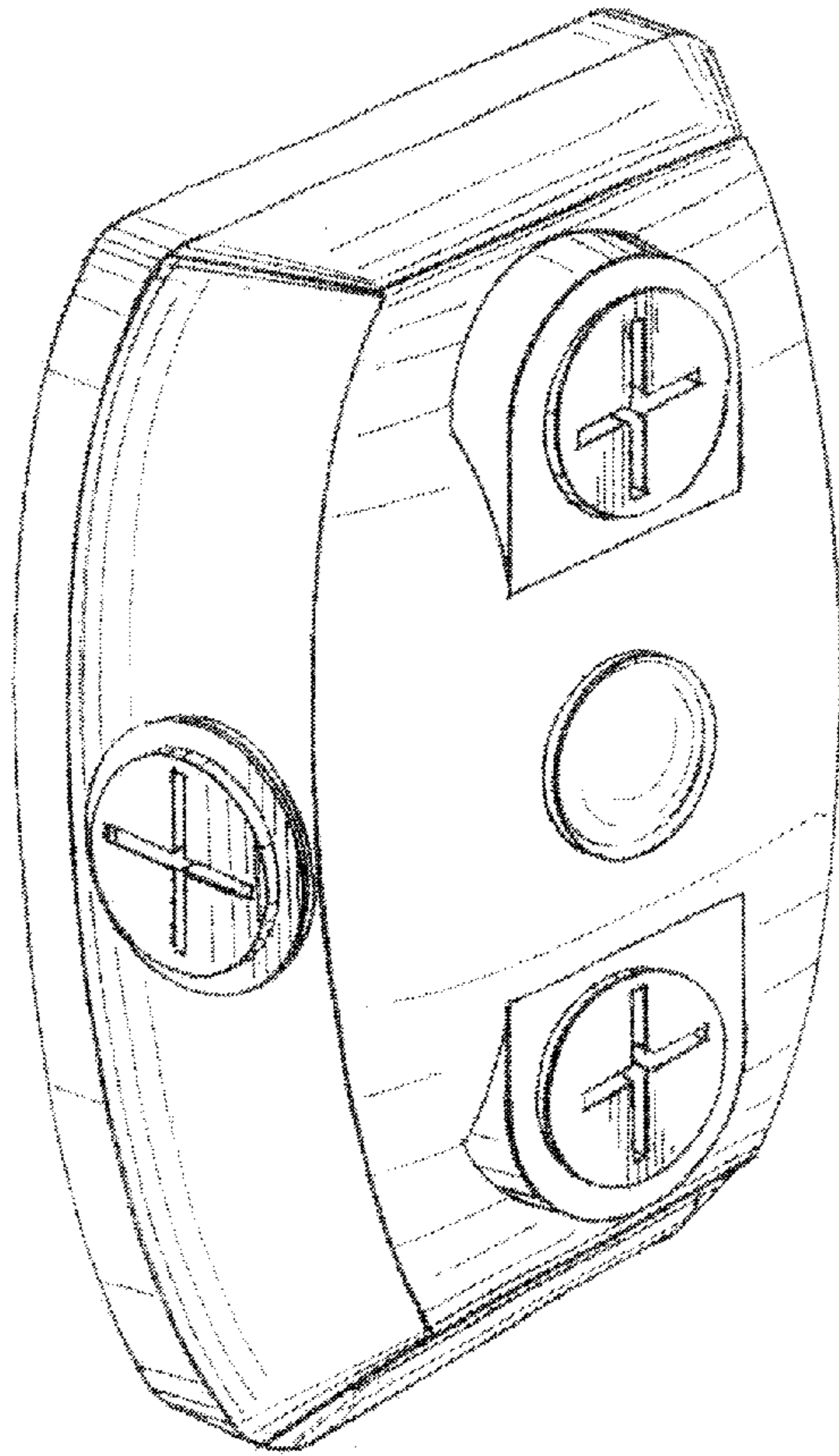


FIG. 1

FIG. 2

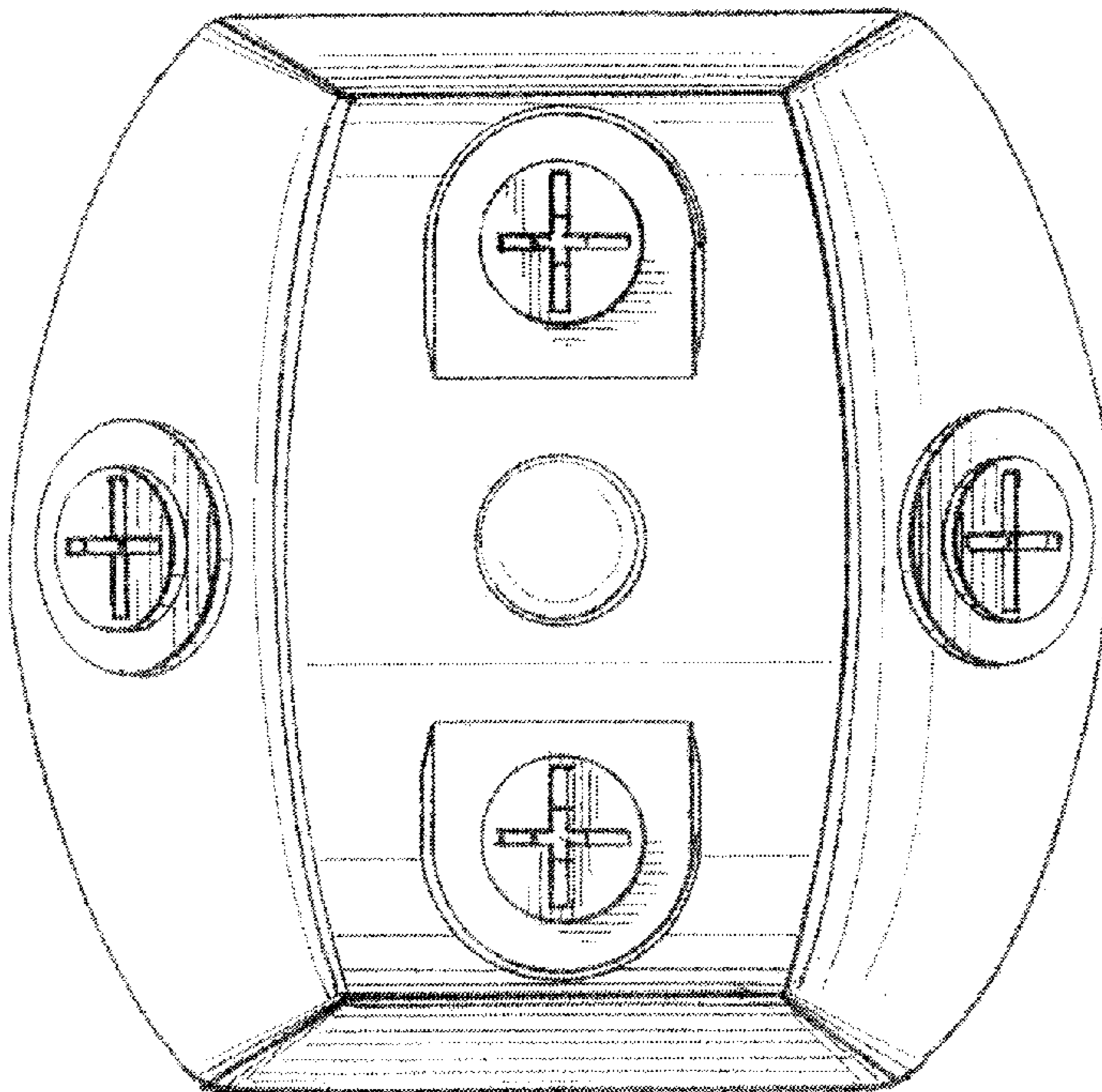


FIG. 3

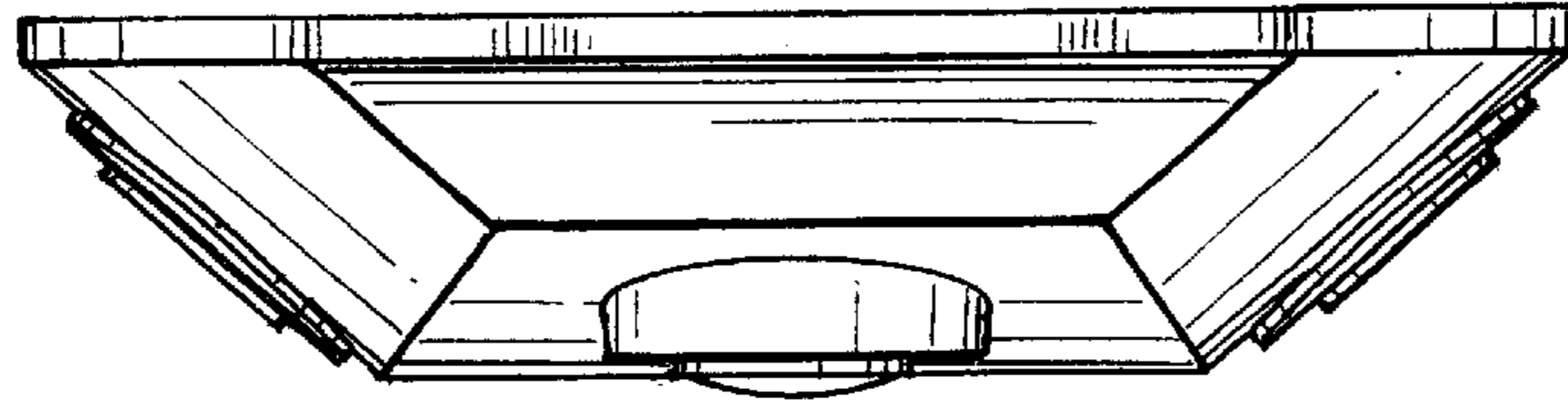


FIG. 4

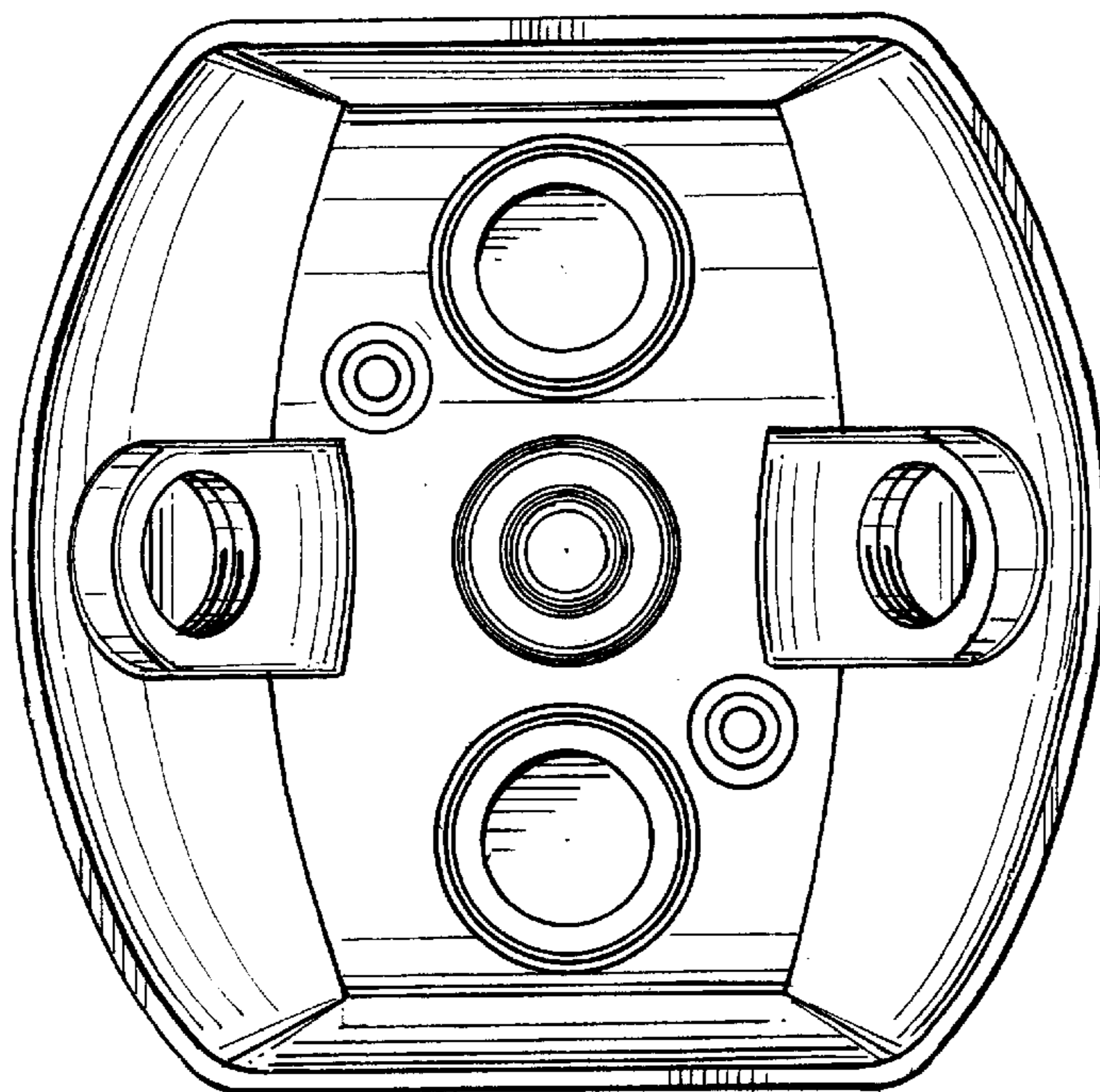
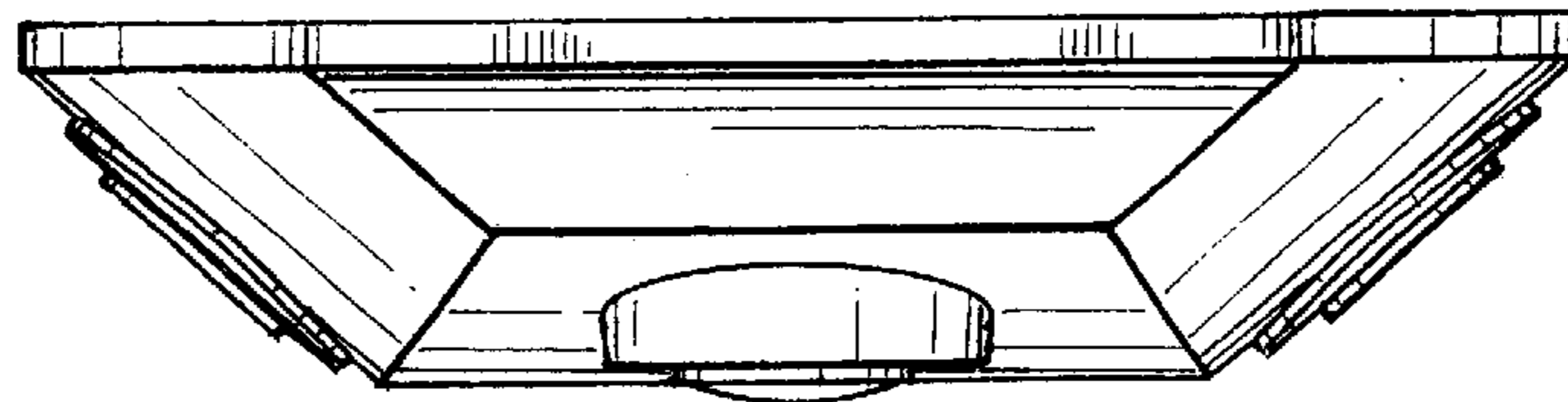


FIG. 5

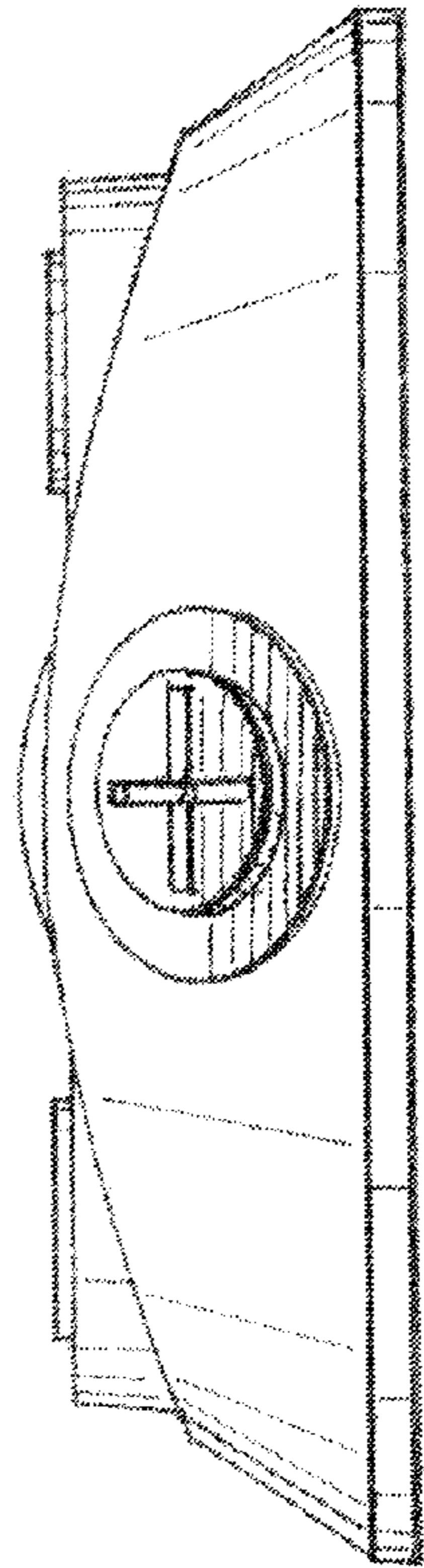


FIG. 6

FIG. 7

