



US00D520463S

(12) **United States Design Patent**
Kitada

(10) **Patent No.:** **US D520,463 S**

(45) **Date of Patent:** **** May 9, 2006**

(54) **DOWN RIGGER SWITCH**

(76) **Inventor:** **Wilfred T. Kitada**, P.O. Box 385,
Makawao, HI (US) 96768

(**) **Term:** **14 Years**

(21) **Appl. No.:** **29/179,859**

(22) **Filed:** **Apr. 17, 2003**

(51) **LOC (8) Cl.** **13-03**

(52) **U.S. Cl.** **D13/169**

(58) **Field of Classification Search** D13/169;
D22/134; 43/43.12; 174/50, 66; 200/339,
200/553; 242/413.6

See application file for complete search history.

(56) **References Cited**

U.S. PATENT DOCUMENTS

D131,691 S	*	3/1942	Spotts	D13/169
D162,444 S	*	3/1951	Parsons	D13/169
D193,852 S	*	10/1962	Niyes	D13/169
3,694,729 A		9/1972	Jones		
3,910,524 A		10/1975	Ireland		
3,922,808 A		12/1975	Rieth et al.		
4,065,869 A		1/1978	Berry		
4,173,091 A	*	11/1979	Emory, Jr.	43/43.12
4,191,340 A		3/1980	Kubaneck		

4,376,350 A		3/1983	Bednarz et al.		
4,455,459 A	*	6/1984	Smith	200/5 R
4,625,450 A	*	12/1986	Roemer, Jr.	43/43.12
4,868,480 A		9/1989	van der Linde		
4,945,670 A	*	8/1990	Wetherald	43/43.12
5,331,212 A		7/1994	Johnson-Williams et al.		
5,556,047 A		9/1996	Nanbu		

* cited by examiner

Primary Examiner—Stella Reid

Assistant Examiner—Selina Sikder

(74) *Attorney, Agent, or Firm*—Donald R. Schoonover

(57) **CLAIM**

I claim the ornamental design for a down rigger switch, as shown and described.

DESCRIPTION

FIG. 1 is a perspective view of a down rigger switch showing my new design;

FIG. 2 is a front elevational view thereof;

FIG. 3 is a rear elevational view thereof;

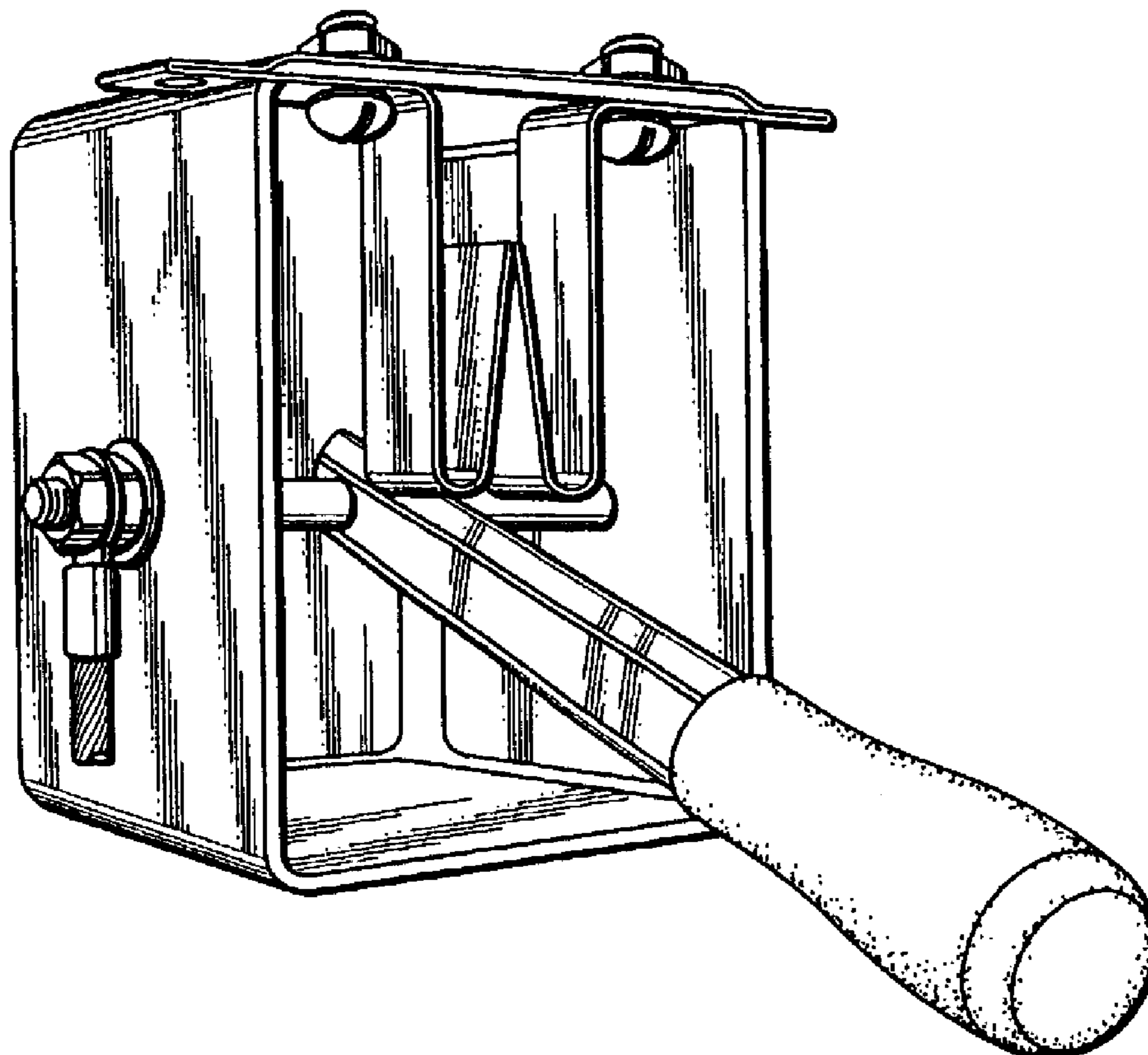
FIG. 4 is a left side elevational view thereof;

FIG. 5 is a right side elevational view thereof;

FIG. 6 is a bottom plan view thereof; and,

FIG. 7 is a top plan view thereof.

1 Claim, 3 Drawing Sheets



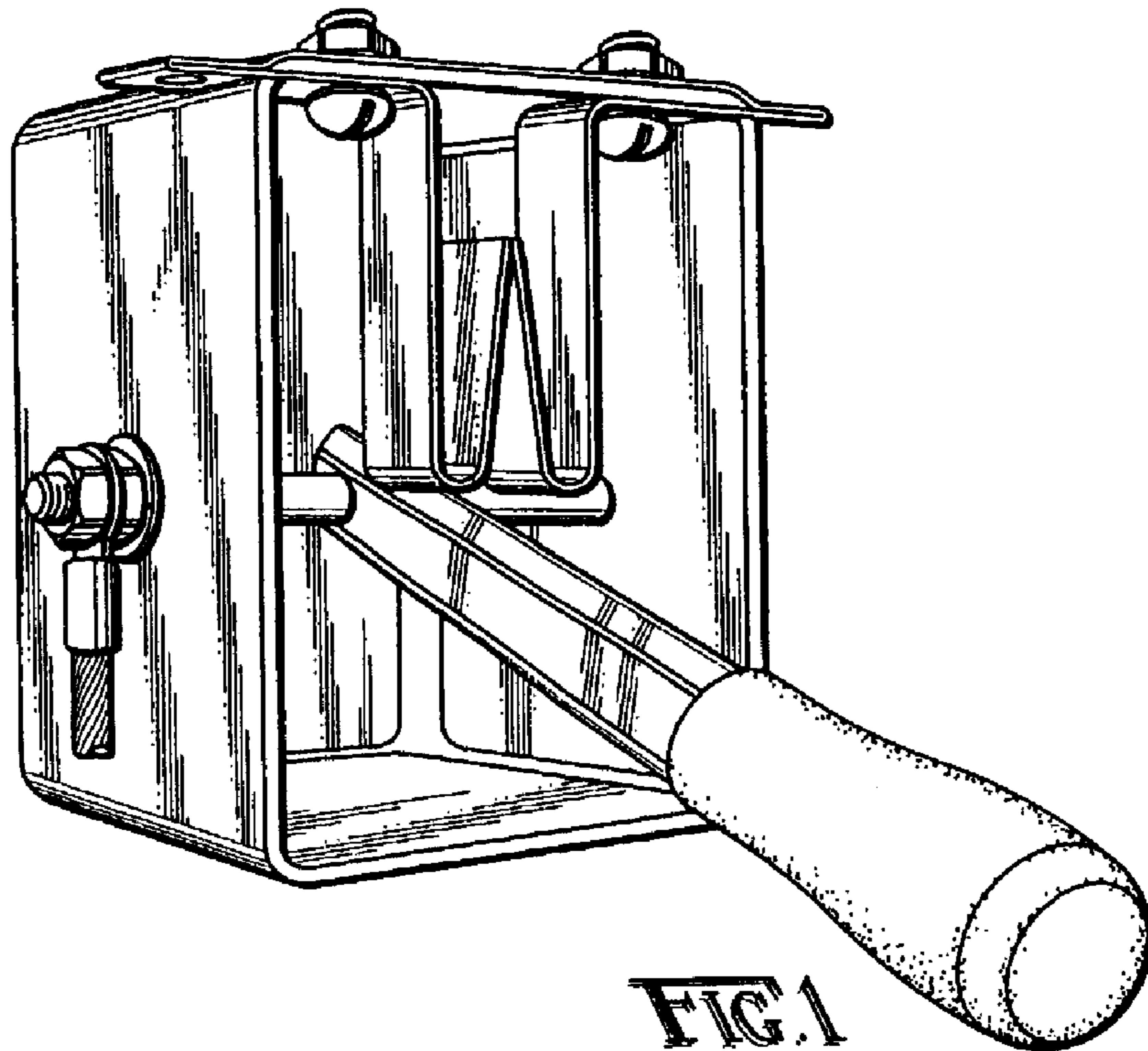


FIG. 1

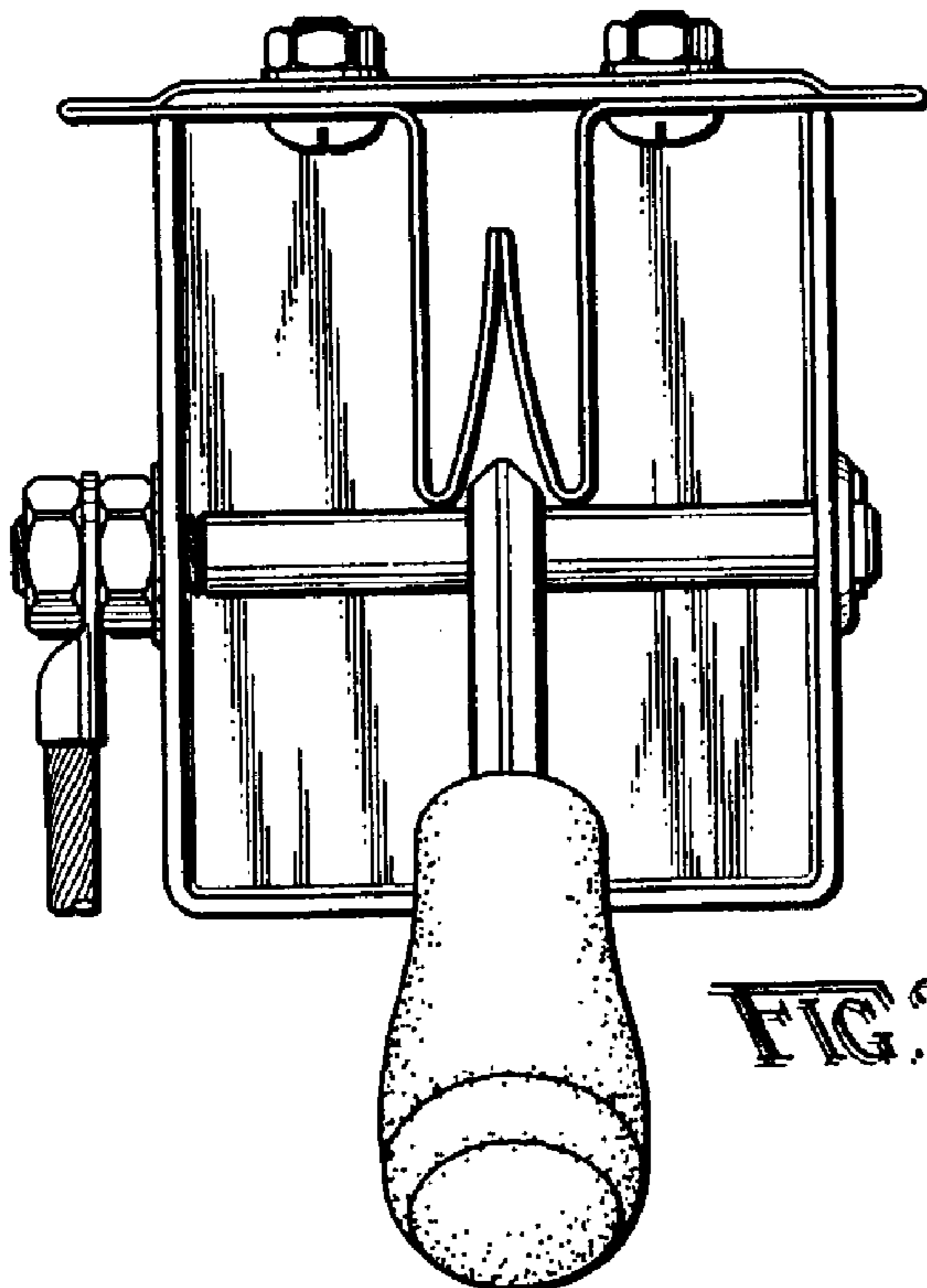


FIG. 2

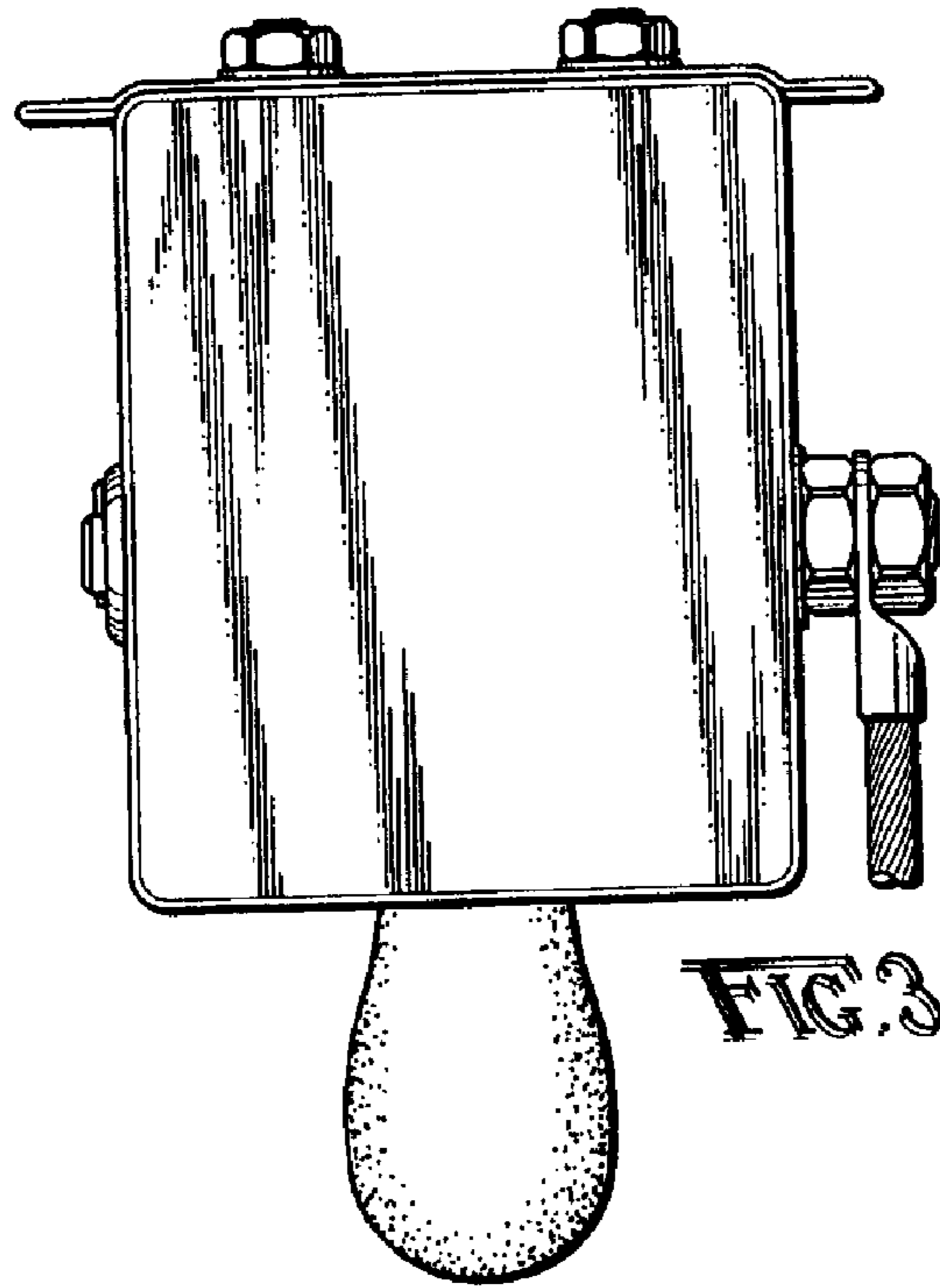


FIG. 3

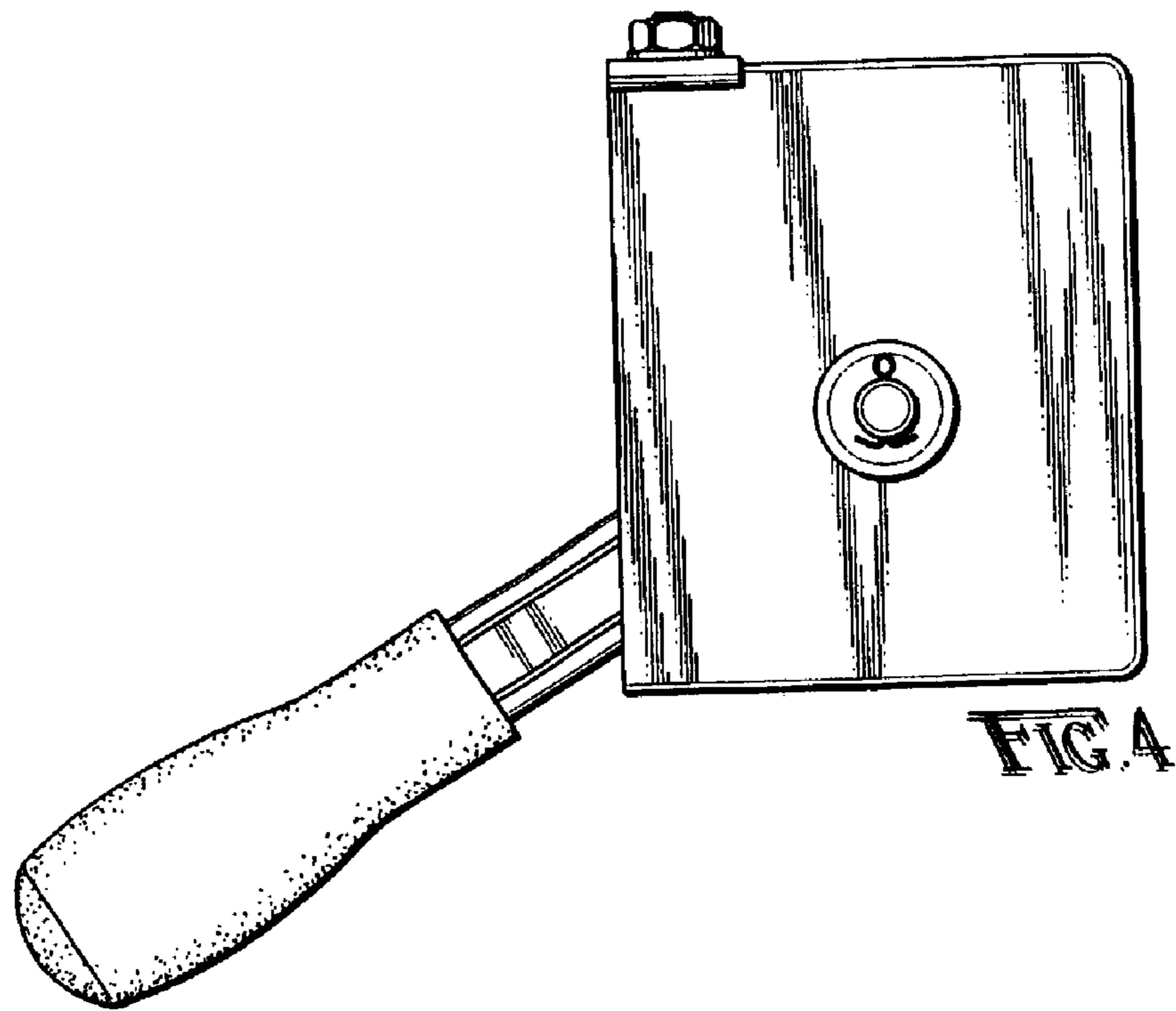


FIG. 4

