



US00D520461S

(12) **United States Design Patent**
Barmes et al.

(10) **Patent No.:** **US D520,461 S**

(45) **Date of Patent:** **** May 9, 2006**

(54) **REMOTE CONTROL**

D389,138 S * 1/1998 Oshima et al. D14/125

(75) Inventors: **Mark S. Barmes**, 3469 E. Stoney
Brook Ct., Vincennes, IN (US) 47591;
William Jackson, DeMotte, IN (US)

* cited by examiner

Primary Examiner—Stella Reid
Assistant Examiner—Selina Sikder

(73) Assignee: **Mark S. Barmes**, Vincennes, IN (US)

(74) *Attorney, Agent, or Firm*—Brinks Hofer Gilson &
Lione

(**) Term: **14 Years**

(57) **CLAIM**

(21) Appl. No.: **29/224,272**

We claim the ornamental design for a remote control, as
shown and described.

(22) Filed: **Feb. 28, 2005**

DESCRIPTION

(51) **LOC (8) Cl.** **13-03**

(52) **U.S. Cl.** **D13/168**

(58) **Field of Classification Search** 455/100,
455/151.1–151.4, 352–355; 463/39; 700/17,
700/18, 19, 22, 83; D3/255, 303, 321; D34/15;
D13/168; D10/104, 106; D14/218, 247; 340/825.22,
340/825.24, 825.25, 825.31, 825.36, 825.69,
340/825.71, 825.72; 341/20, 22, 173, 176;
348/734

FIG. 1 is a front elevation view of a remote control of the
present invention.

FIG. 2 is a rear elevation view of the remote control shown
in FIG. 1.

FIG. 3 is a side elevation view of the remote control as
viewed from the left side of FIG. 1.

FIG. 4 is a side elevation view of the remote control as
viewed from the right side of FIG. 1.

FIG. 5 is a top plan view of the remote control shown in the
prior Figures.

FIG. 6 is a bottom plan view of the remote control shown in
prior Figures; and,

FIG. 7 is perspective view of the top, front and right sides
of the remote control shown in the prior Figures.

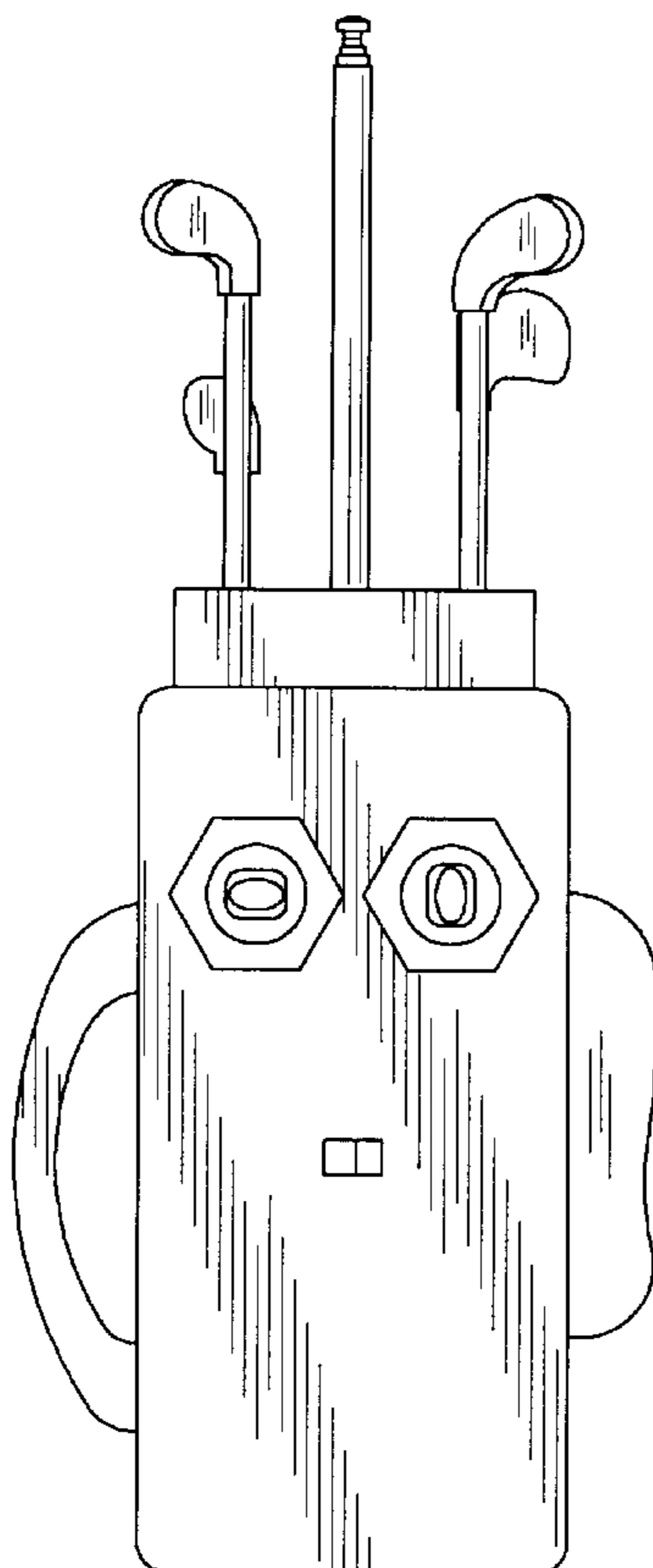
See application file for complete search history.

(56) **References Cited**

U.S. PATENT DOCUMENTS

4,032,054 A * 6/1977 Duncan 224/274
4,234,025 A * 11/1980 Berge 206/315.4
D314,863 S * 2/1991 Brengel D3/321

1 Claim, 5 Drawing Sheets



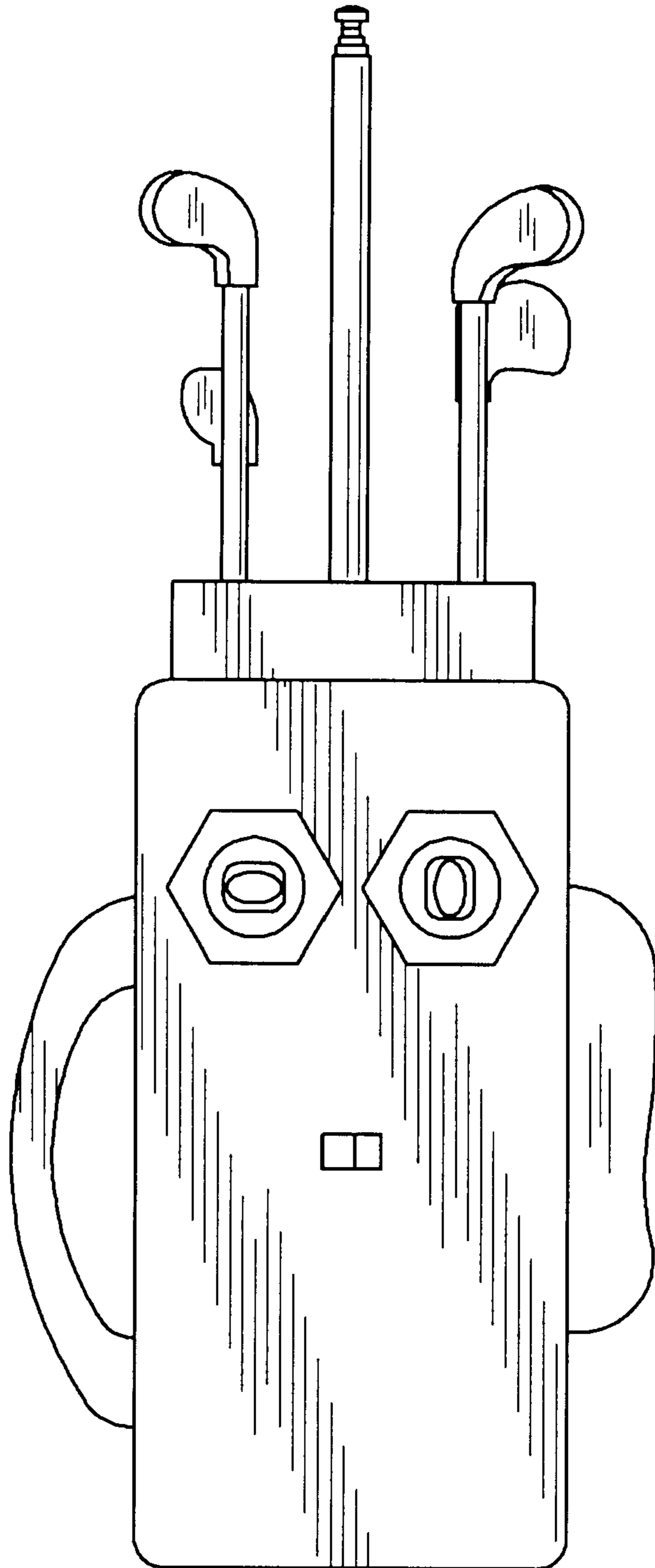


Fig. 1

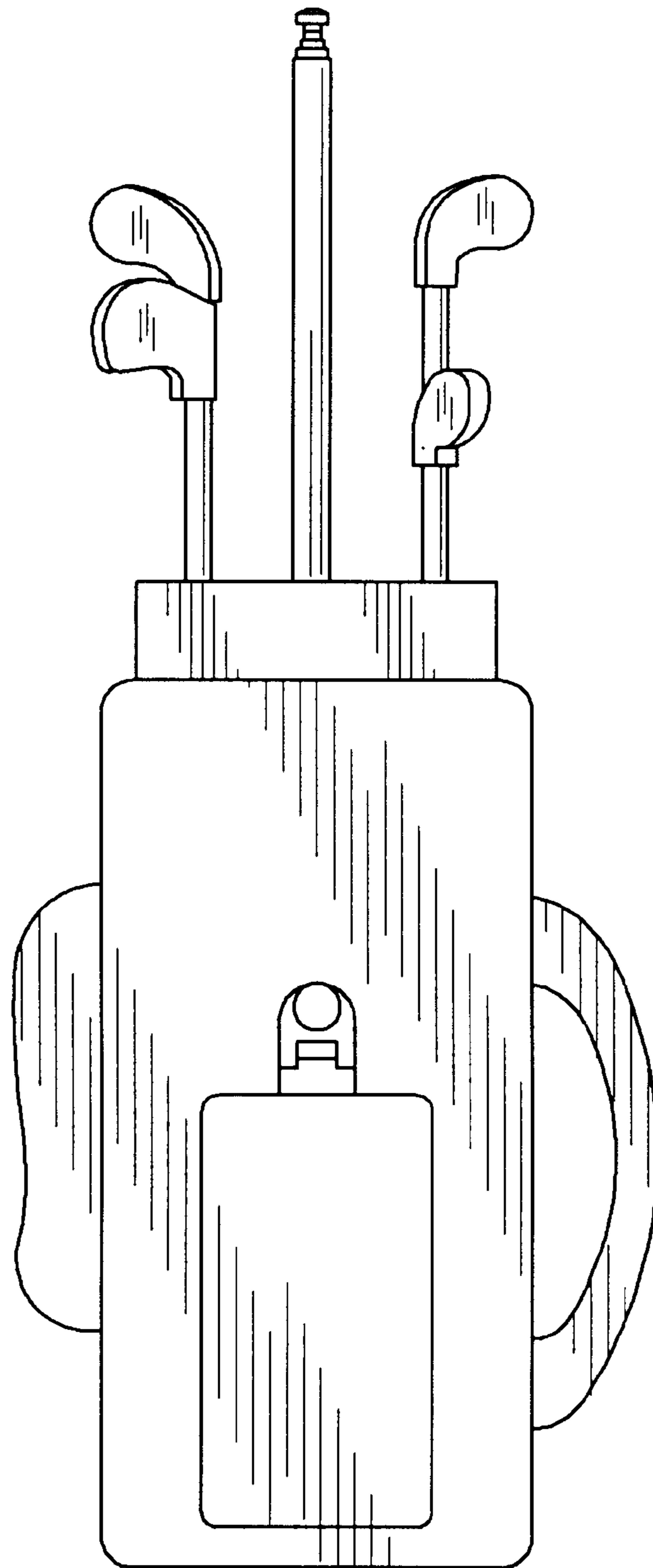


Fig. 2

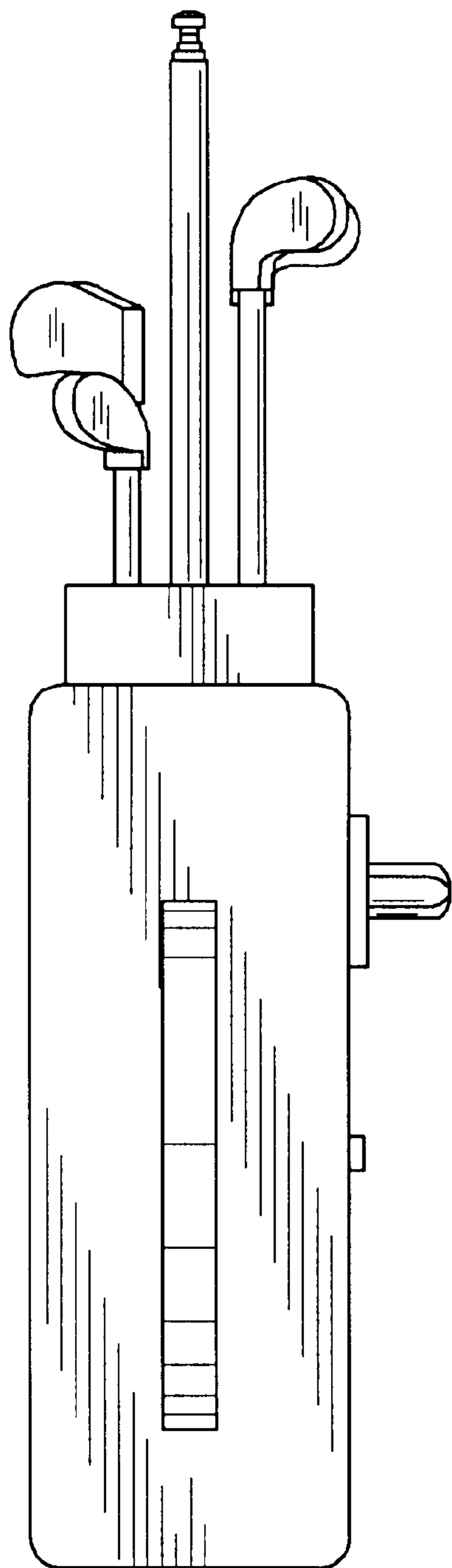


Fig. 3

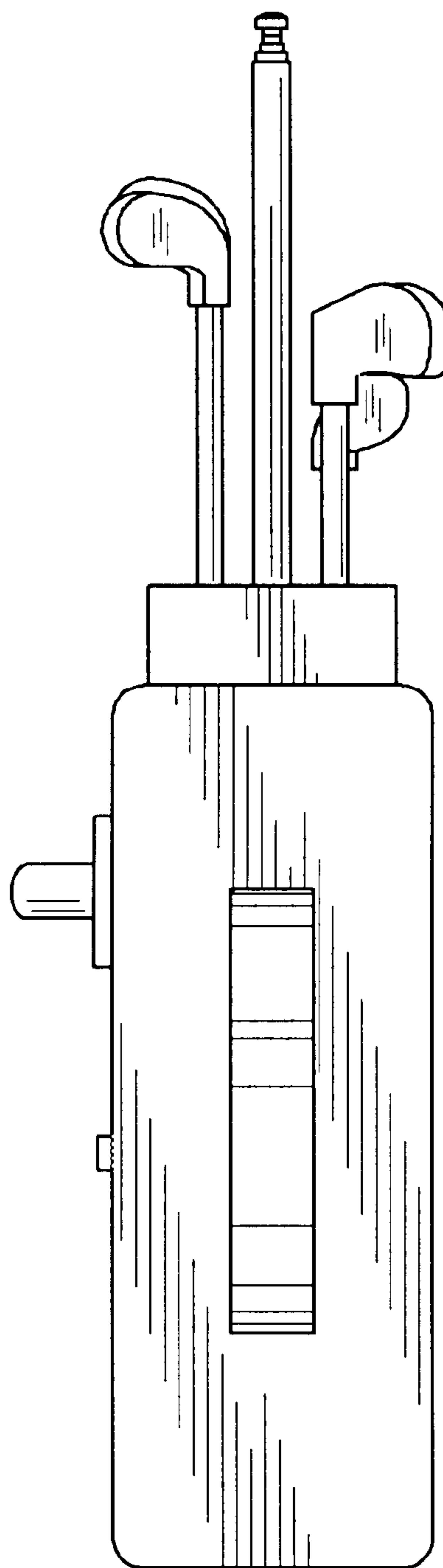


Fig. 4

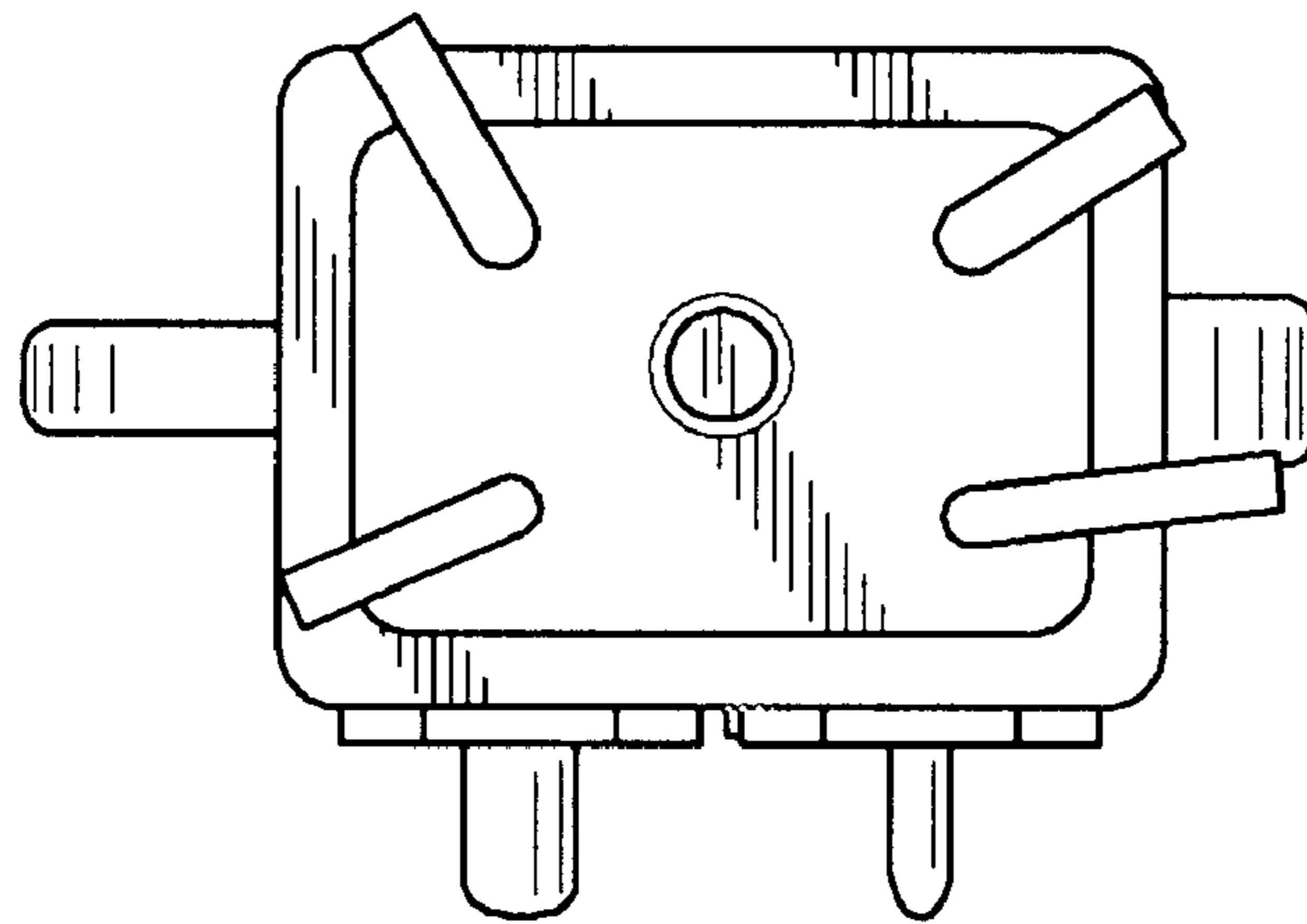


Fig. 5

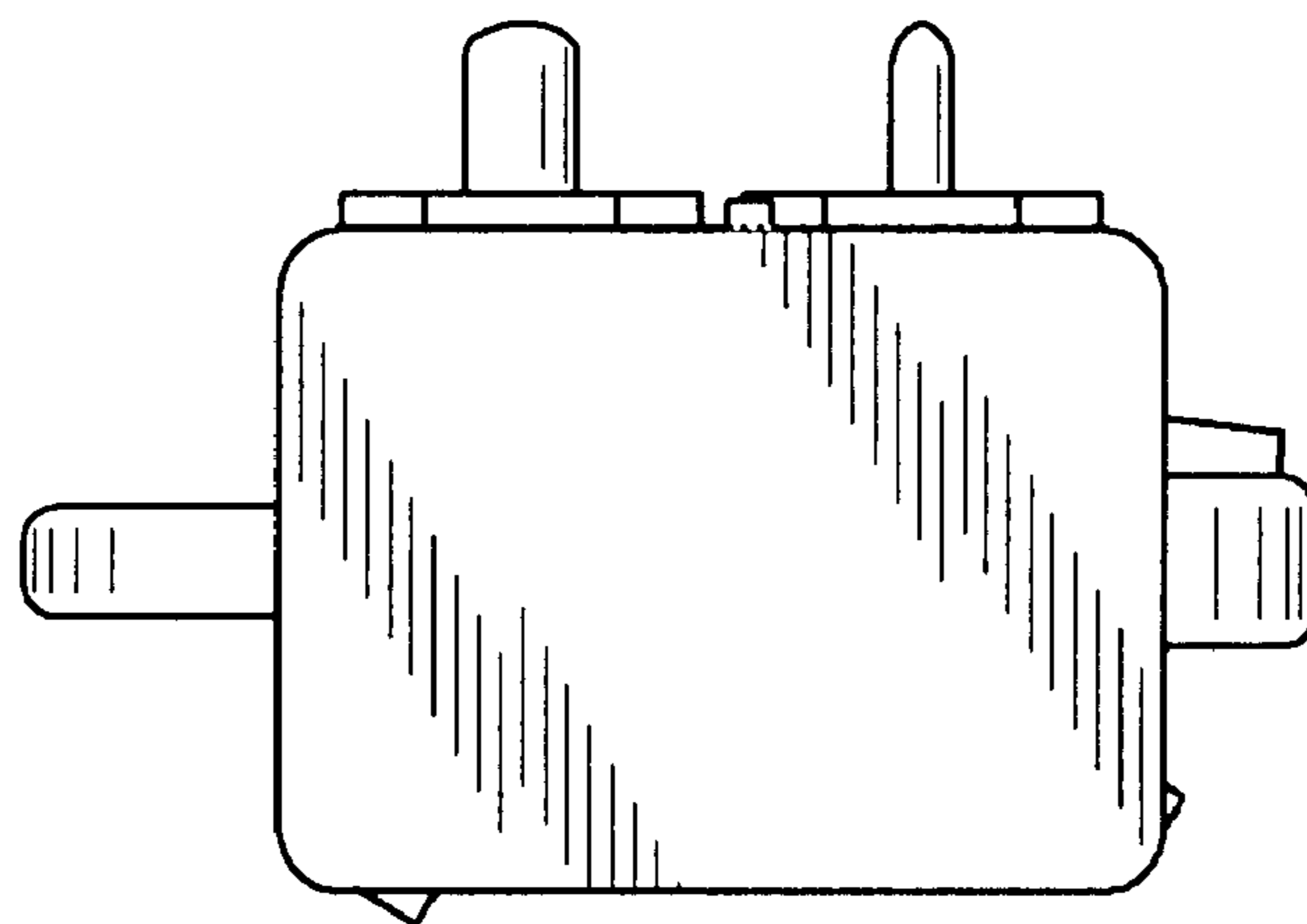


Fig. 6

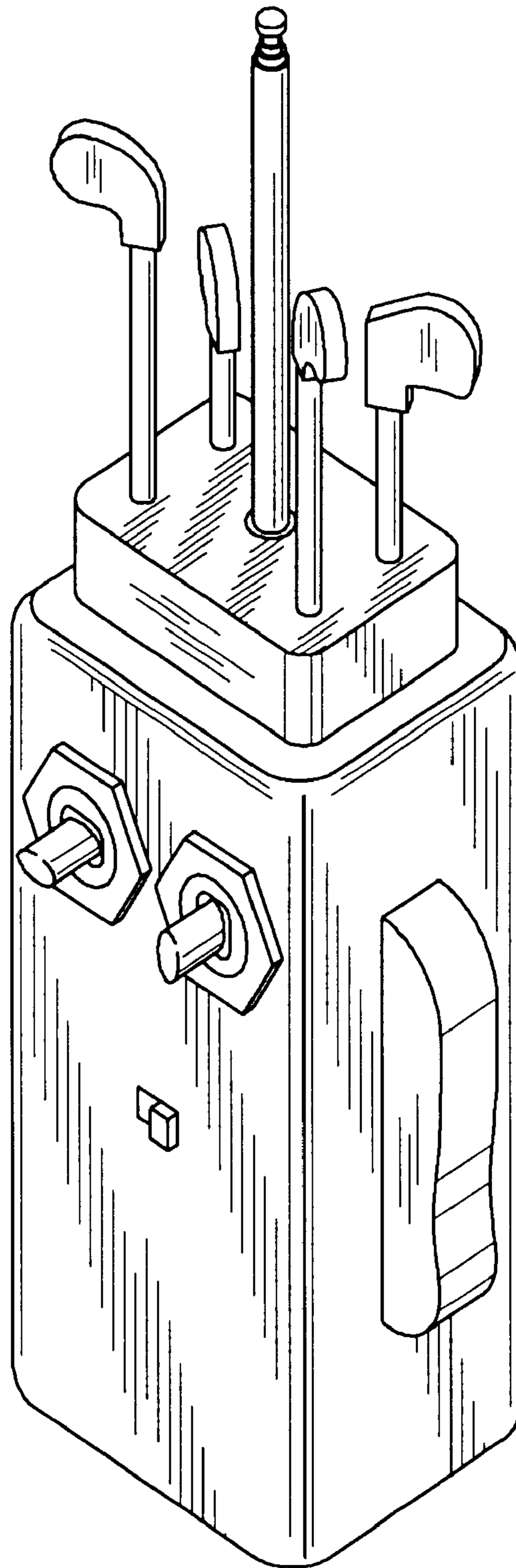


Fig. 7