



US00D520460S

(12) **United States Design Patent**
Wadsworth et al.

(10) **Patent No.:** **US D520,460 S**

(45) **Date of Patent:** **** May 9, 2006**

(54) **CABLE HOUSING**

(75) Inventors: **John Wadsworth**, Los Angeles, CA
(US); **Kenneth Mori**, Los Angeles, CA
(US)

(73) Assignee: **Belkin Corporation**, Compton, CA
(US)

(**) **Term:** **14 Years**

(21) Appl. No.: **29/225,693**

(22) Filed: **Mar. 17, 2005**

(51) **LOC (8) Cl.** **13-03**

(52) **U.S. Cl.** **D13/156**

(58) **Field of Classification Search** D13/133,
D13/139.7, 154, 156; D14/217, 356, 432,
D14/433, 447; D9/516, 526, 523, 737, 738,
D9/751; 206/409, 701, 702; 174/135, 138 F;
381/182, 370, 371

See application file for complete search history.

(56) **References Cited**

U.S. PATENT DOCUMENTS

D256,010 S	*	7/1980	Fry	D13/156
D331,907 S	*	12/1992	Hollander et al.	D13/133
D332,084 S	*	12/1992	Hollander et al.	D13/133
D380,194 S	*	6/1997	Rak et al.	D13/133
D382,542 S	*	8/1997	Nakamura	D13/156
D390,193 S	*	2/1998	Ronchetti	D13/156
D390,536 S	*	2/1998	Austin	D13/156
D393,830 S	*	4/1998	Tobler et al.	D13/133
D408,384 S	*	4/1999	Hata et al.	D14/433

D413,301 S	*	8/1999	Goto et al.	D13/133
6,183,304 B1	*	2/2001	Hollander et al.	439/620
D449,583 S	*	10/2001	Goto	D13/154
D459,303 S	*	6/2002	Florescu	D13/133
D465,784 S	*	11/2002	Lin	D14/433
D469,770 S	*	2/2003	Carpenter et al.	D14/433
D475,682 S	*	6/2003	Li et al.	D13/133
D475,996 S	*	6/2003	Skulley	D14/240
D489,069 S	*	4/2004	Lin	D14/433
D494,969 S	*	8/2004	Lin	D14/356
D501,447 S	*	2/2005	Greenwood et al.	D13/133
D502,924 S	*	3/2005	Sirichai et al.	D13/154

* cited by examiner

Primary Examiner—Holly Baynham

Assistant Examiner—Cynthia M. Chin

(74) *Attorney, Agent, or Firm*—Bryan Cave LLP

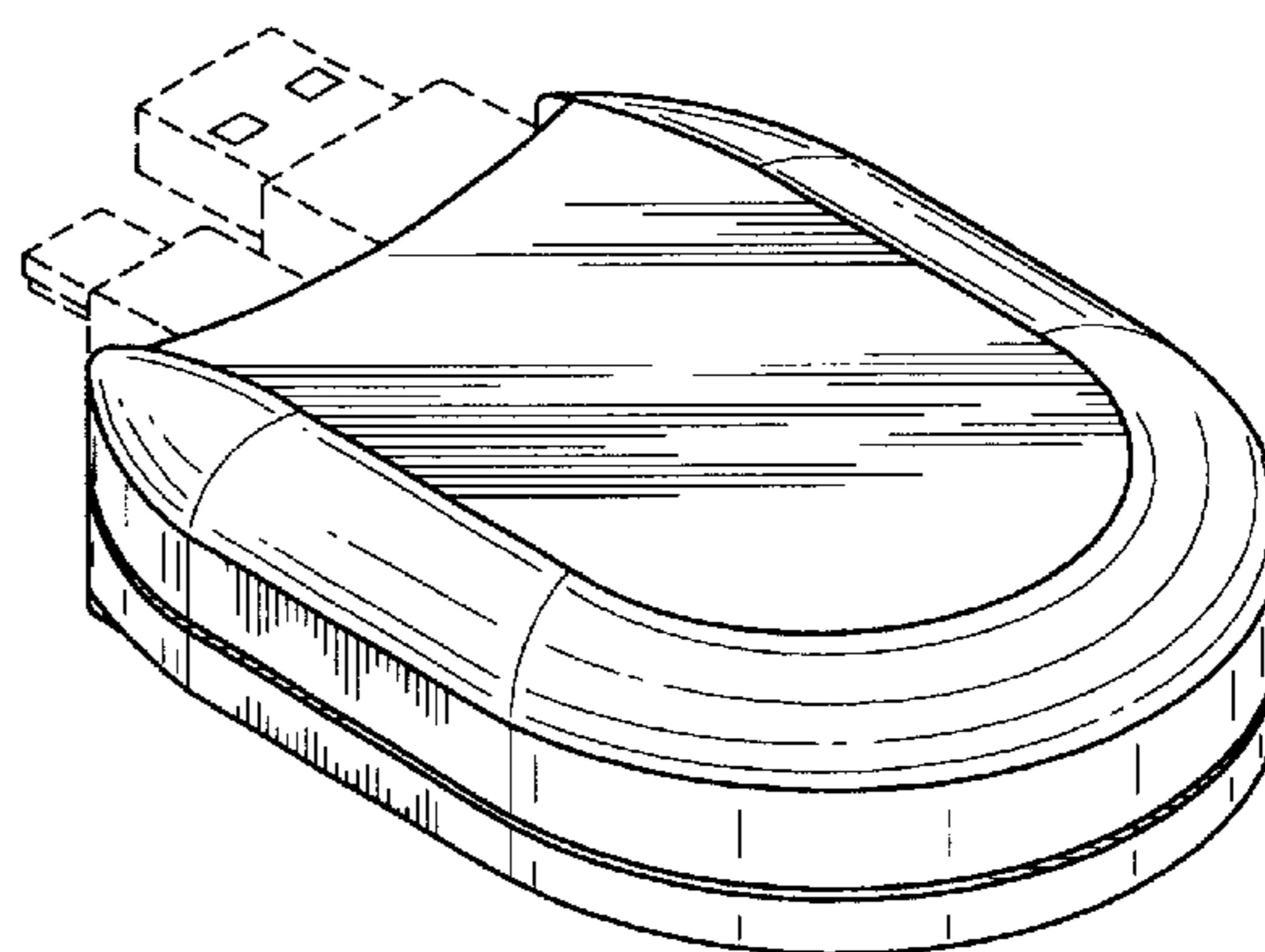
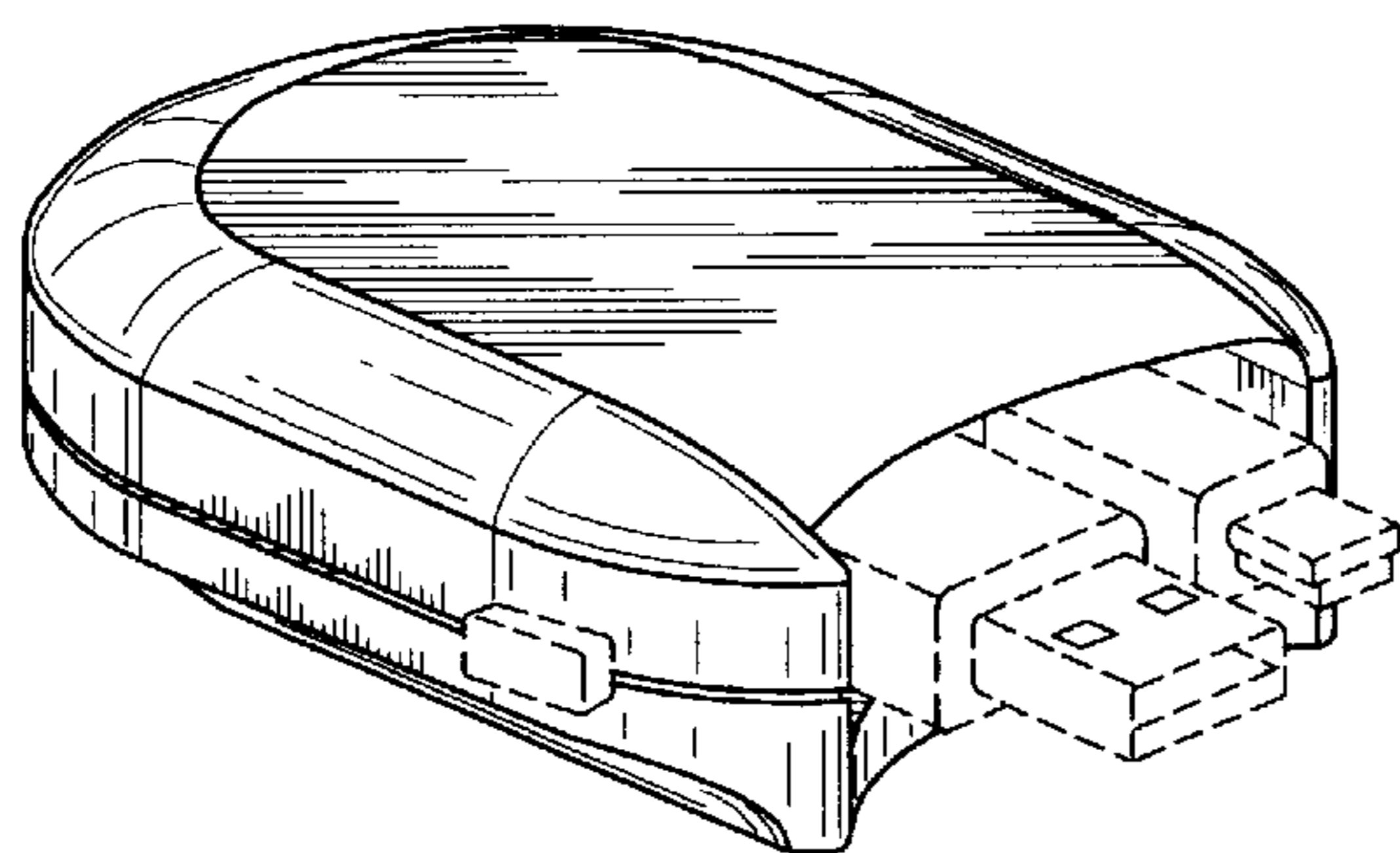
(57) **CLAIM**

We claim the ornamental design for a cable housing, as shown and described.

DESCRIPTION

FIG. 1 is a front elevational view of the cable housing;
FIG. 2 is a rear elevational view thereof;
FIG. 3 is a top view thereof;
FIG. 4 is a bottom view thereof;
FIG. 5 is a left side elevational view thereof;
FIG. 6 is a right side elevational view thereof;
FIG. 7 is a front, left, top perspective view thereof; and,
FIG. 8 is a rear, right, top perspective view thereof.
The broken lines in the drawings are for illustrative purposes only and form no part of the claimed design.

1 Claim, 2 Drawing Sheets



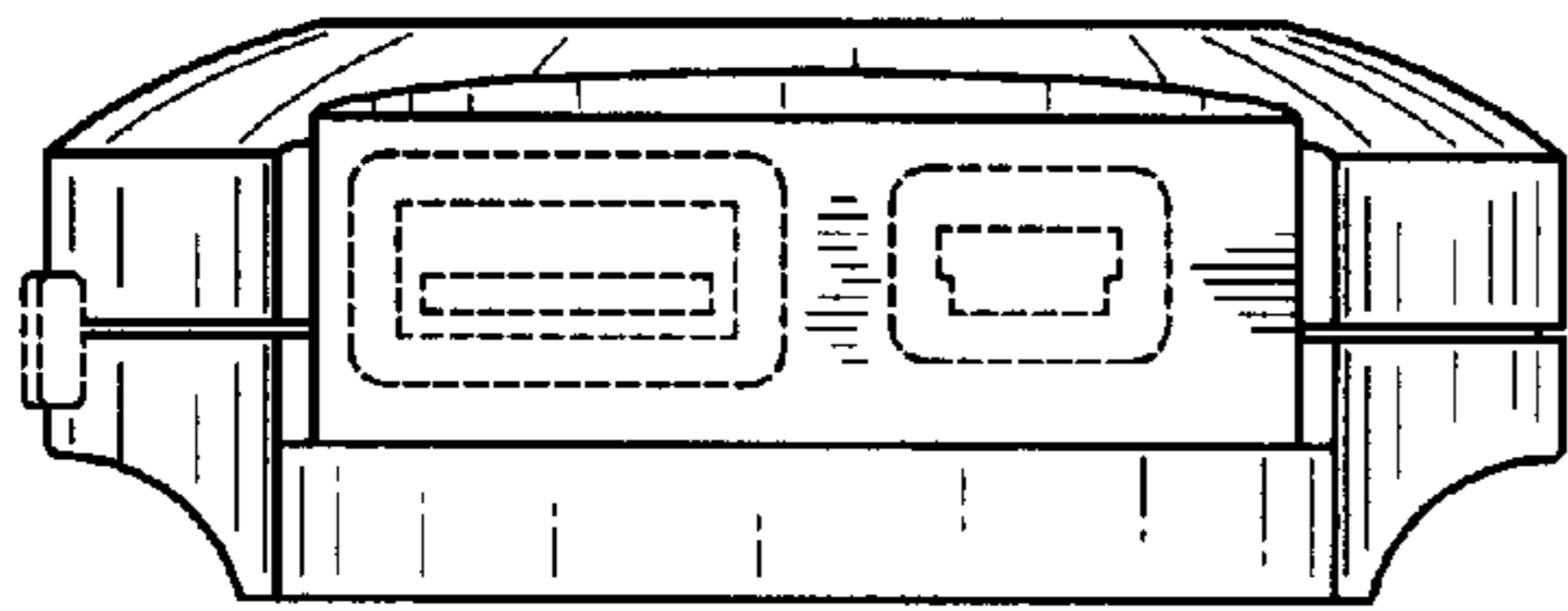


FIG. 1

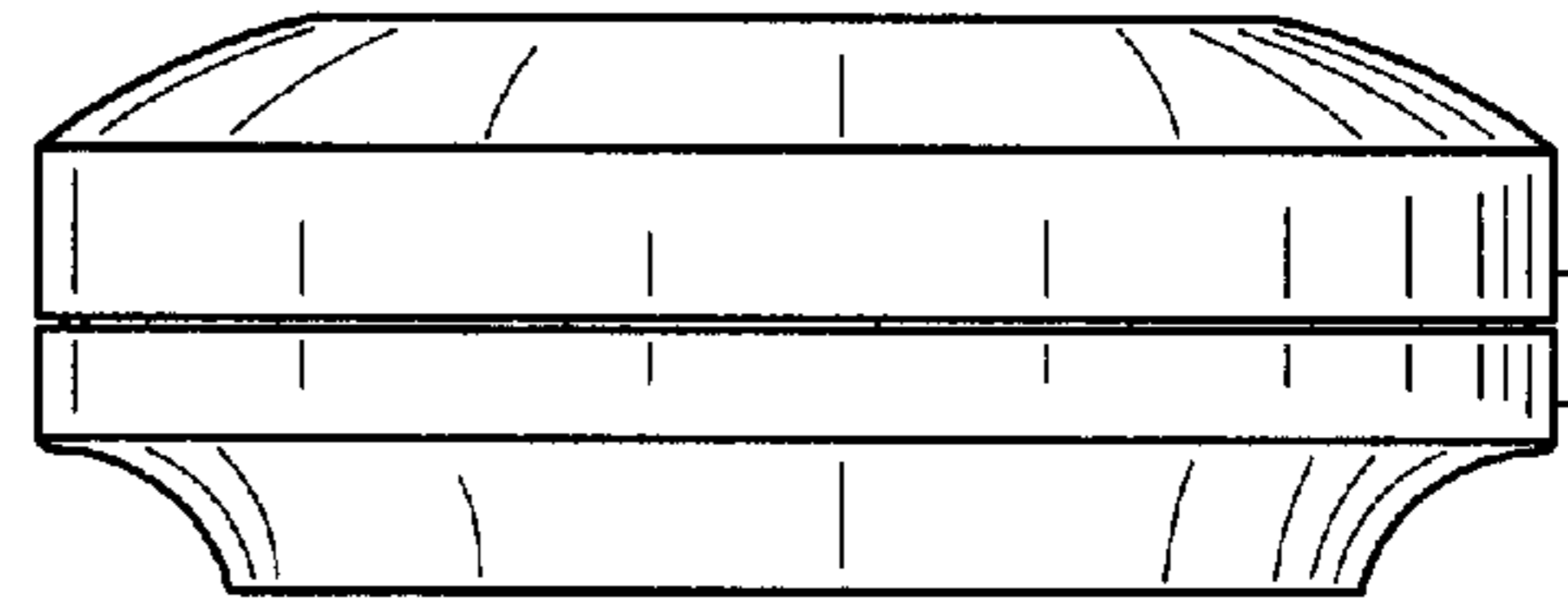


FIG. 2

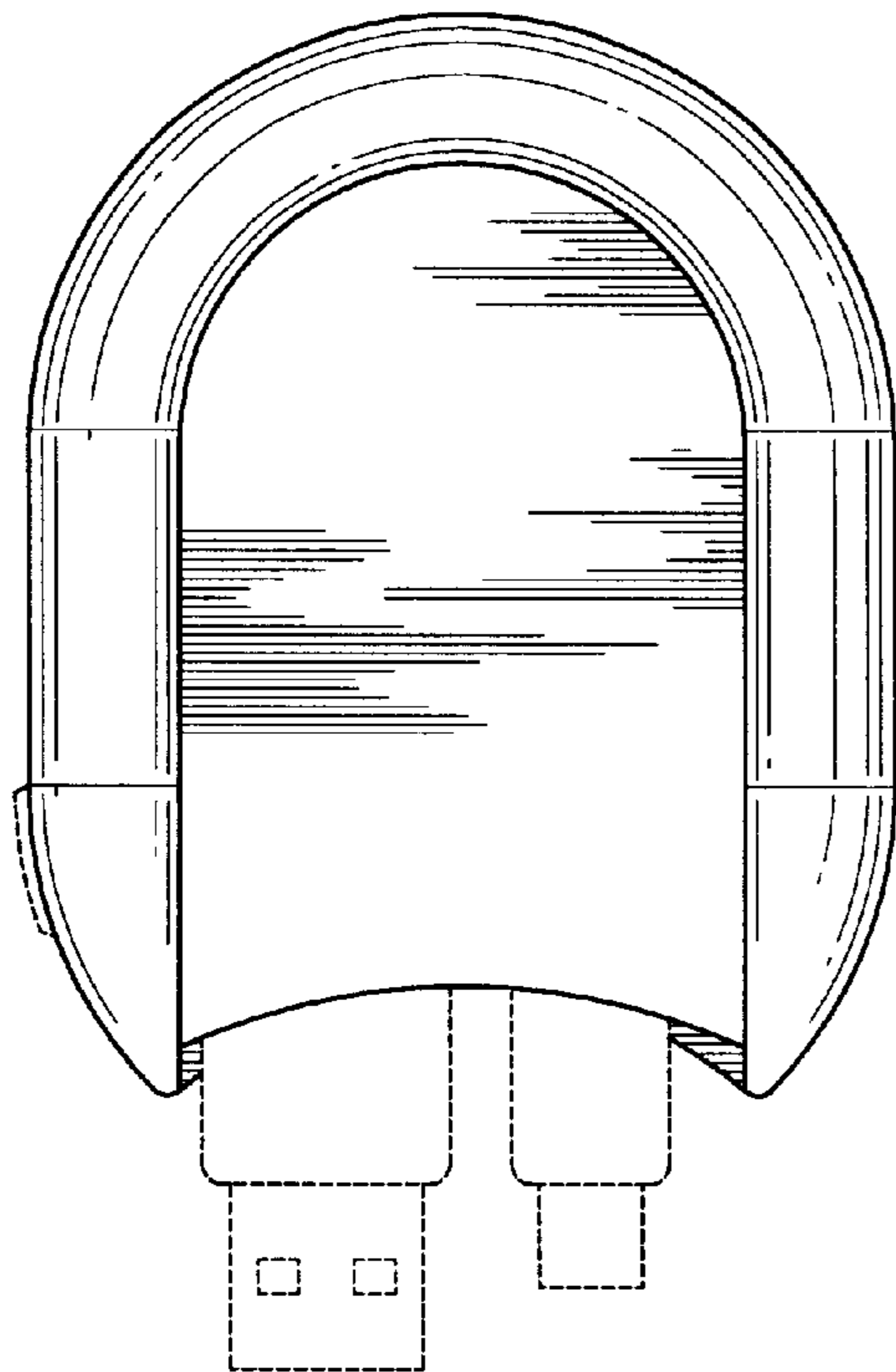


FIG. 3

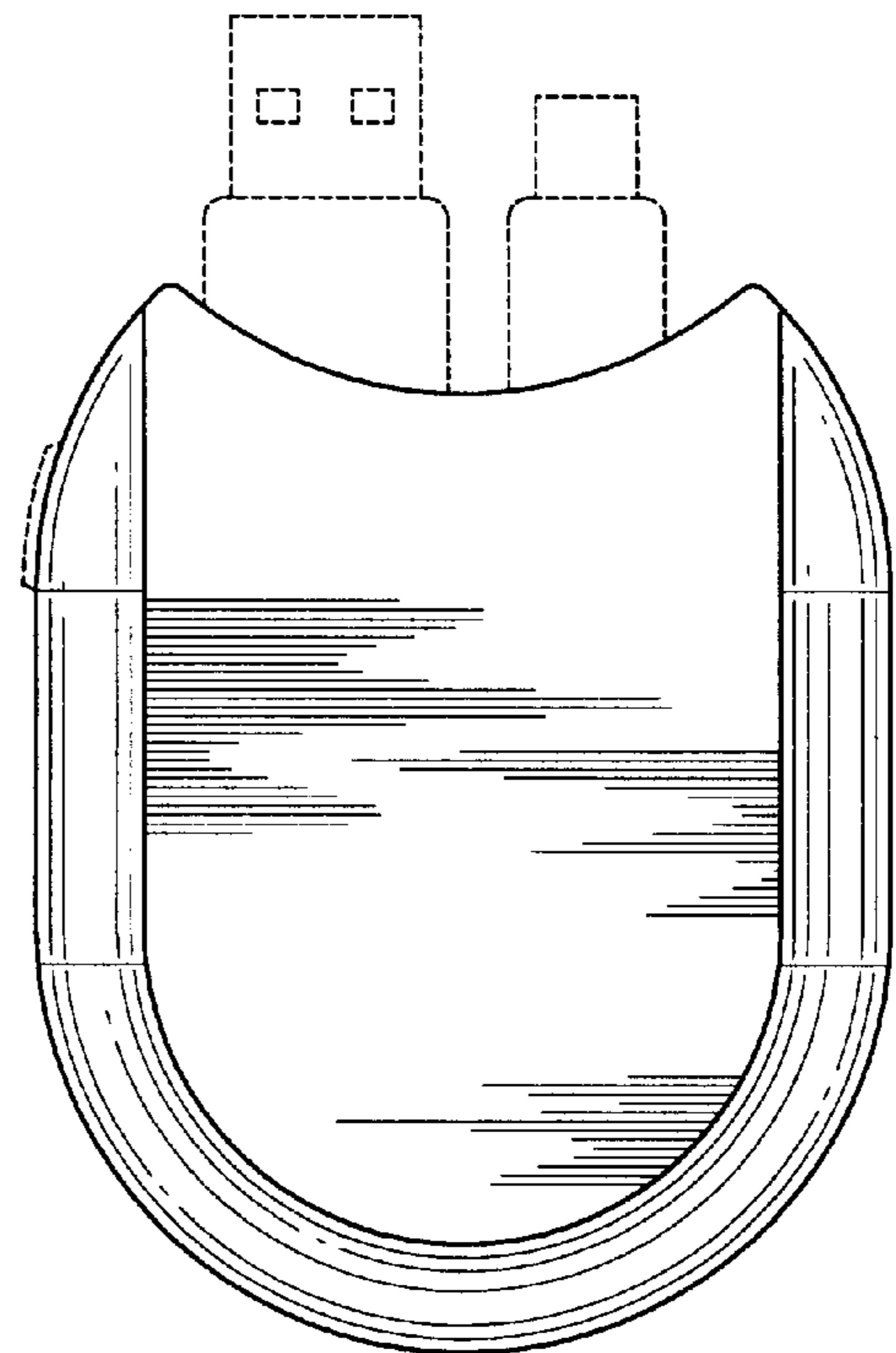


FIG. 4

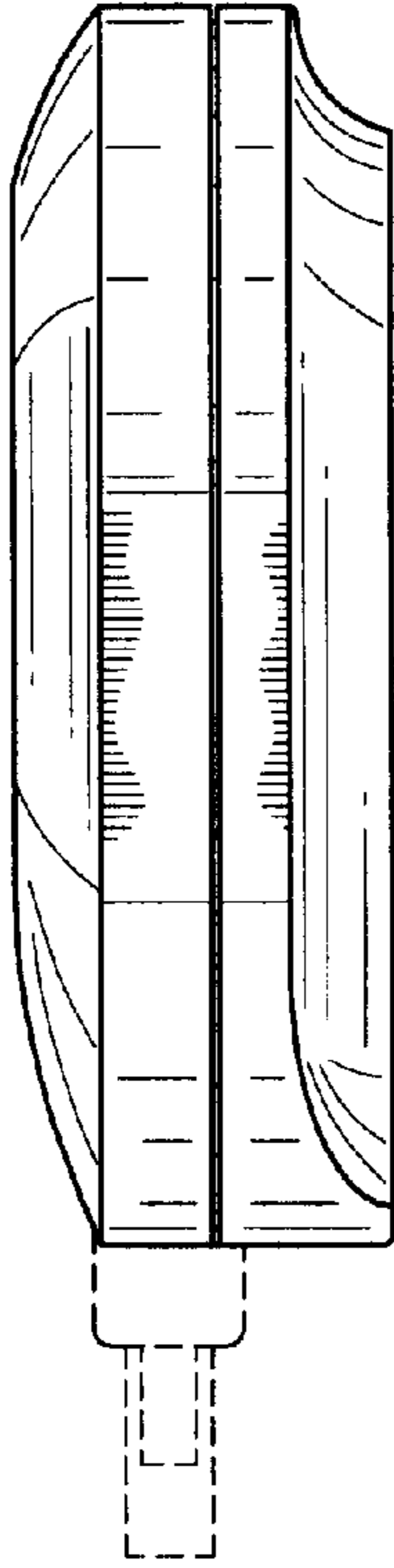


FIG. 6

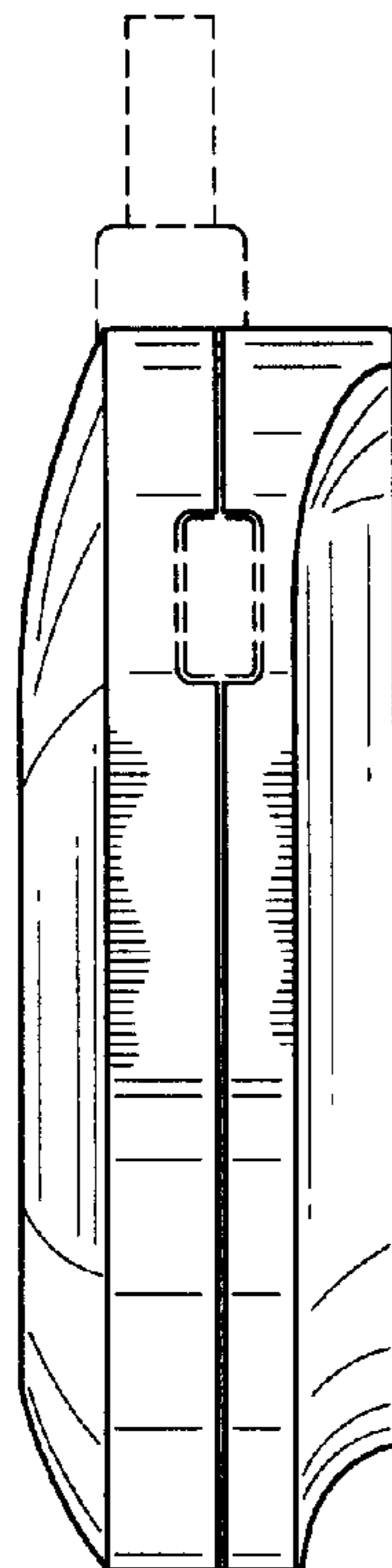


FIG. 5

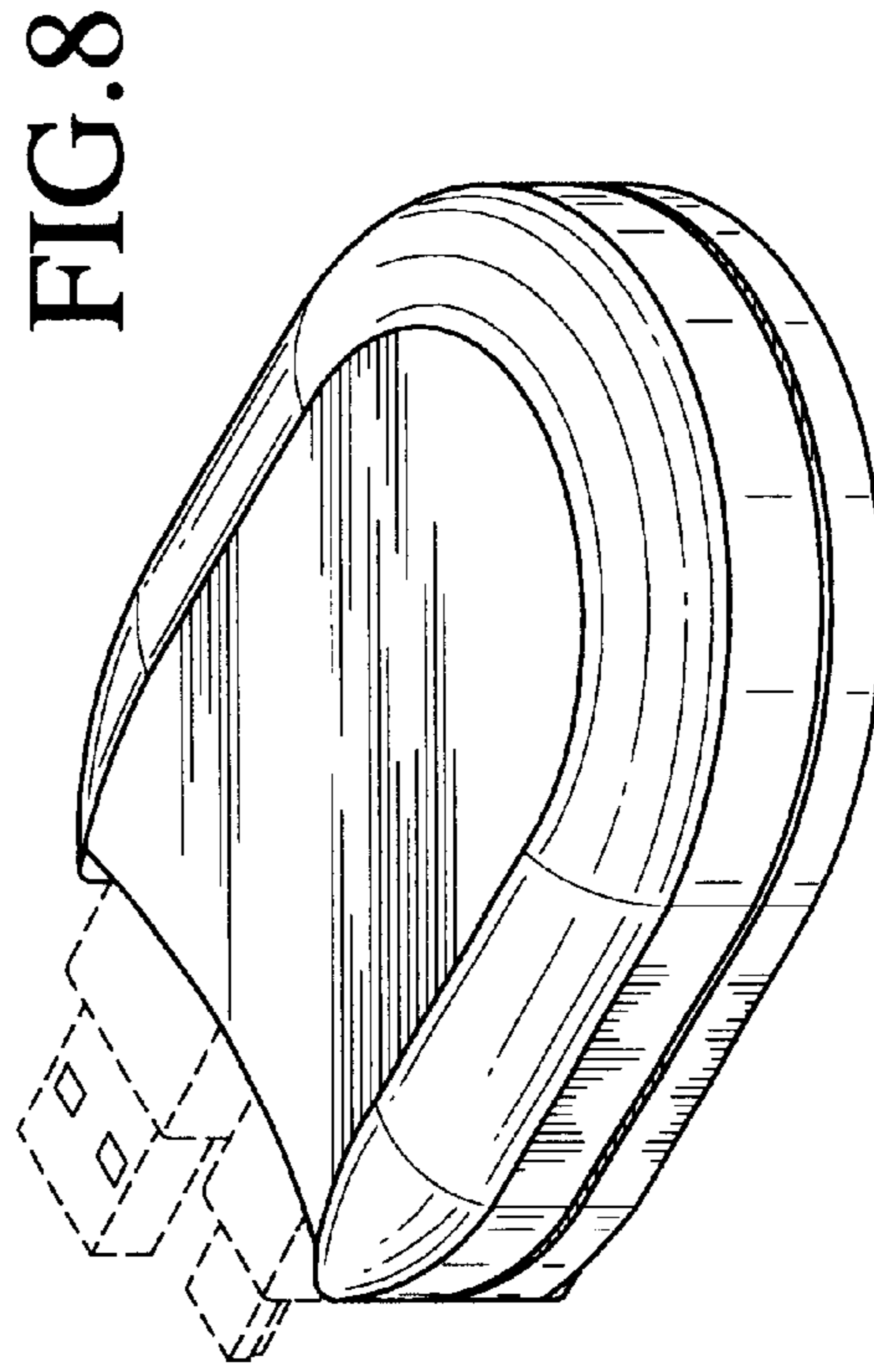


FIG. 8

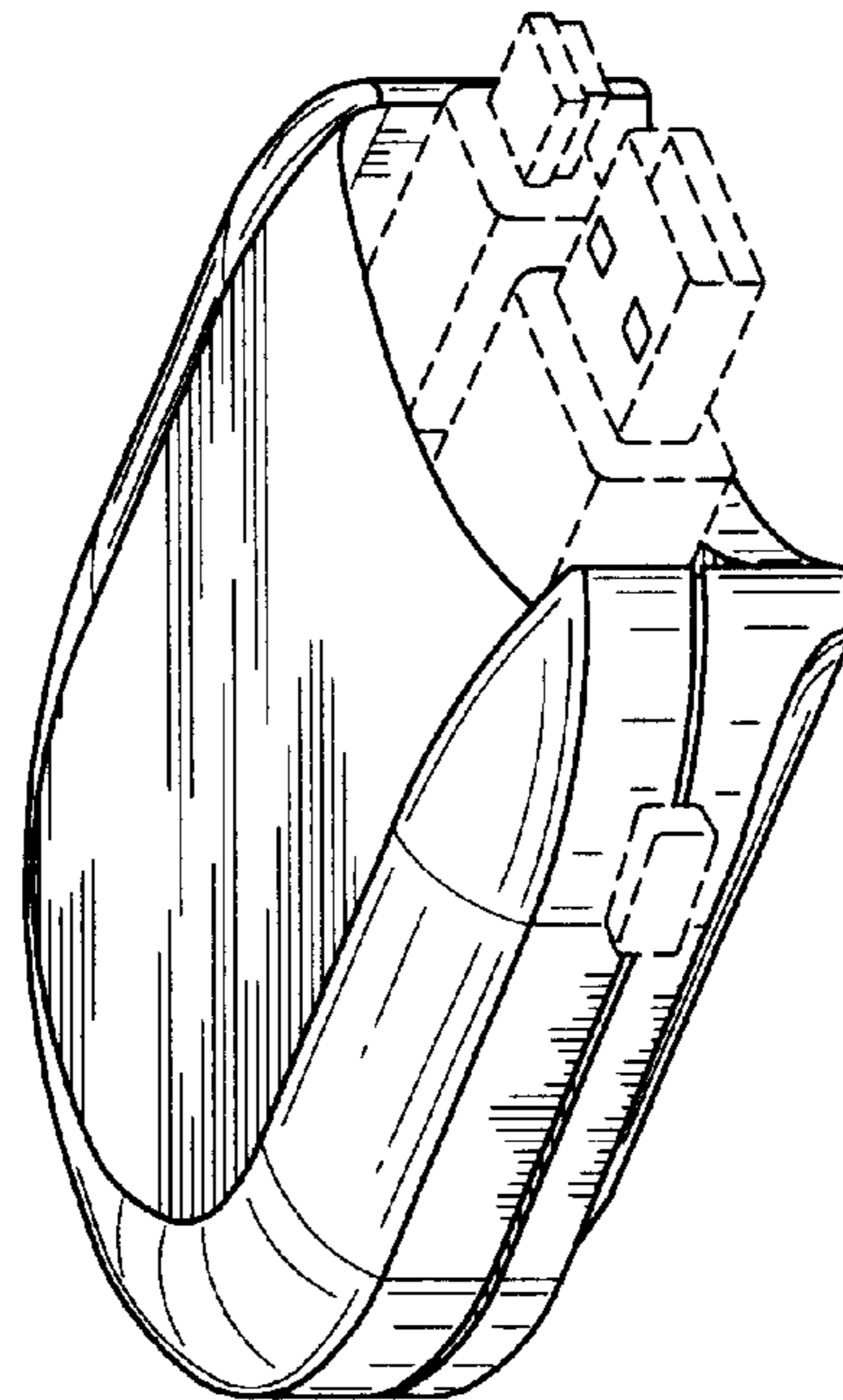


FIG. 7