

US00D520458S

(12) **United States Design Patent** (10) **Patent No.:** **US D520,458 S**  
**Wada et al.** (45) **Date of Patent:** **\*\* May 9, 2006**

(54) **CABLE HEAD**

(75) Inventors: **Stan Wada**, Venice, CA (US); **David Goetz**, Los Angeles, CA (US); **Ernesto Quinteros**, Los Angeles, CA (US); **Mitchell Suckle**, Long Beach, CA (US); **Kenneth Mori**, Los Angeles, CA (US); **Colin Owen**, Pasadena, CA (US)

(73) Assignee: **Belkin Corporation**, Compton, CA (US)

(\*\*) Term: **14 Years**

(21) Appl. No.: **29/220,521**

(22) Filed: **Dec. 29, 2004**

(51) **LOC (8) Cl.** ..... **13-03**

(52) **U.S. Cl.** ..... **D13/156**

(58) **Field of Classification Search** ..... D13/133, D13/146, 147, 151, 154, 155, 156; D14/433; 439/362, 365, 367, 476.1, 478, 527, 528, 439/606, 731, 901

See application file for complete search history.

(56) **References Cited**

U.S. PATENT DOCUMENTS

D415,733 S \* 10/1999 Wu ..... D13/146  
D425,487 S \* 5/2000 Lee ..... D13/154

D429,484 S \* 8/2000 Nishio et al. .... D13/147  
D434,727 S \* 12/2000 Huang ..... D13/147  
6,231,393 B1 \* 5/2001 Lai ..... 439/610  
D468,264 S \* 1/2003 Sugino ..... D13/133  
D486,794 S \* 2/2004 Okamoto ..... D13/147

\* cited by examiner

*Primary Examiner*—Holly Baynham

*Assistant Examiner*—Cynthia M. Chin

(74) *Attorney, Agent, or Firm*—Bryan Cave LLP

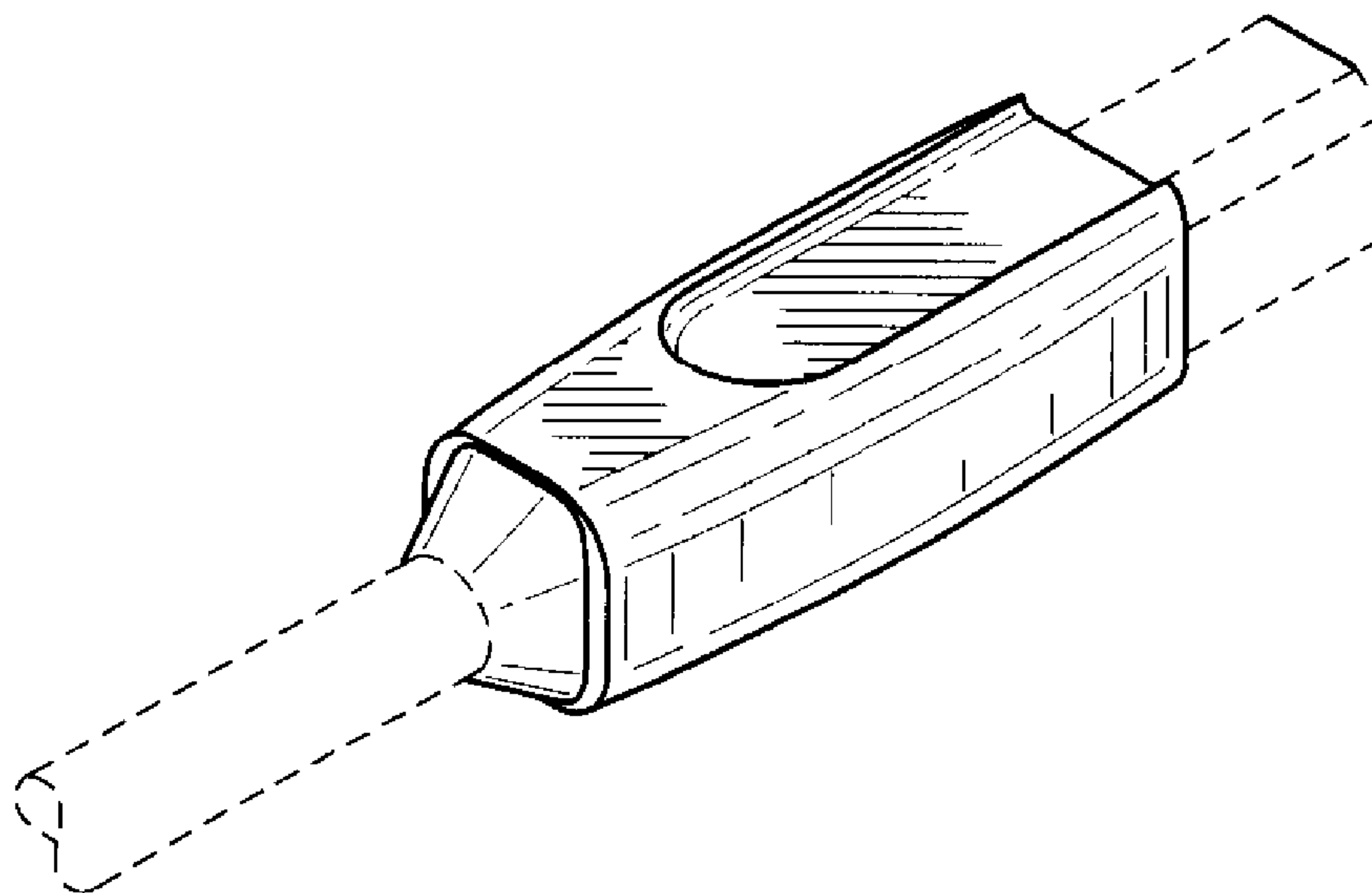
(57) **CLAIM**

We claim the ornamental design for a cable head, as shown and described.

**DESCRIPTION**

FIG. 1 is a top view of the cable head;  
FIG. 2 is a bottom view thereof;  
FIG. 3 is a front elevational view thereof;  
FIG. 4 is a rear elevational view thereof;  
FIG. 5 is a left side elevational view thereof, the right side elevational view being a mirror image of the left side elevational view;  
FIG. 6 is a rear, left, top perspective view thereof; and,  
FIG. 7 is a front, left, bottom perspective view thereof.  
The broken lines in the drawings are for illustrative purposes only and form no part of the claimed design.

**1 Claim, 1 Drawing Sheet**



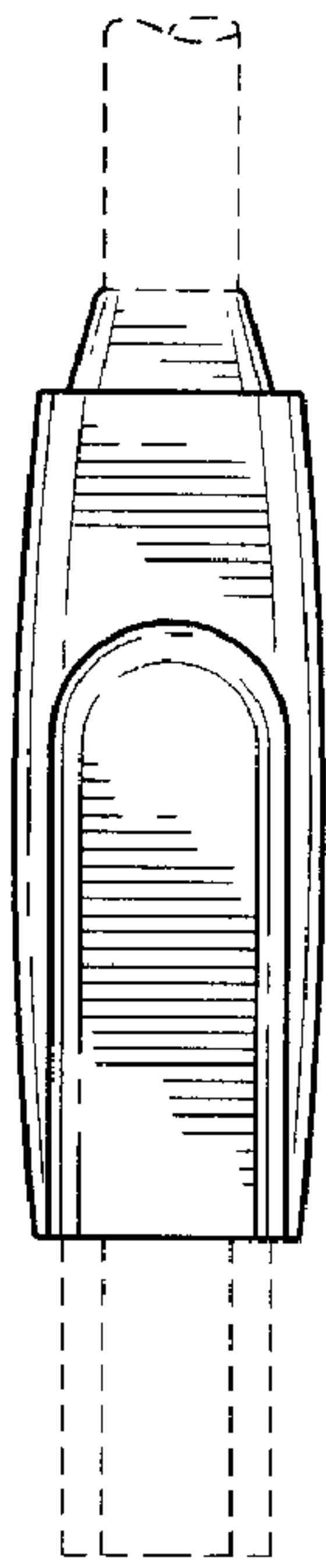


FIG. 1

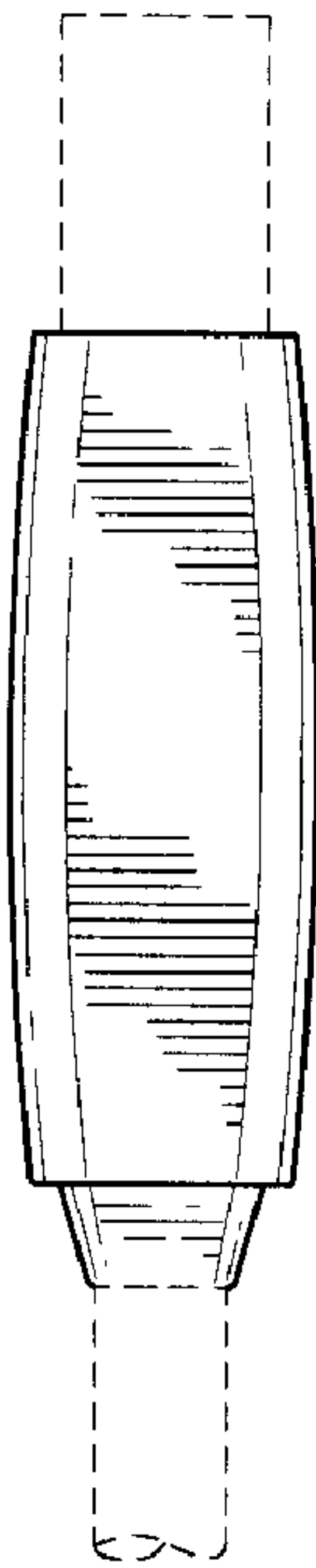


FIG. 2

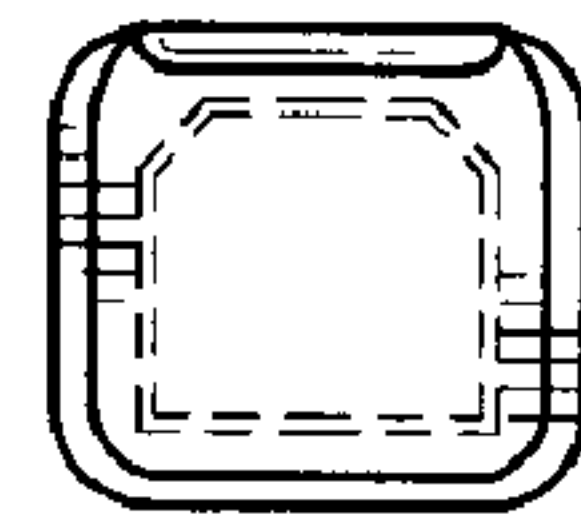


FIG. 3

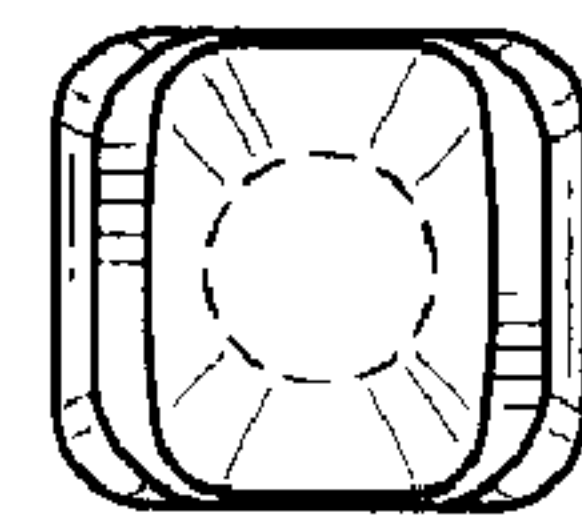


FIG. 4

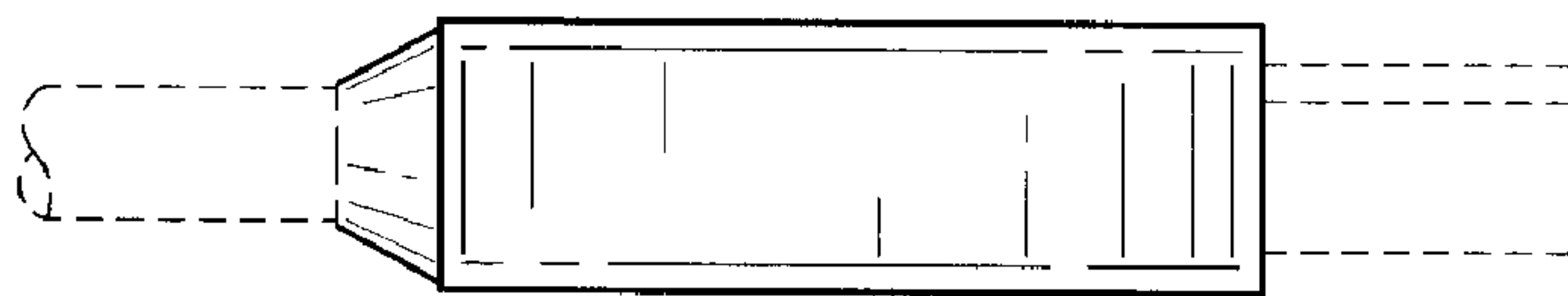


FIG. 5

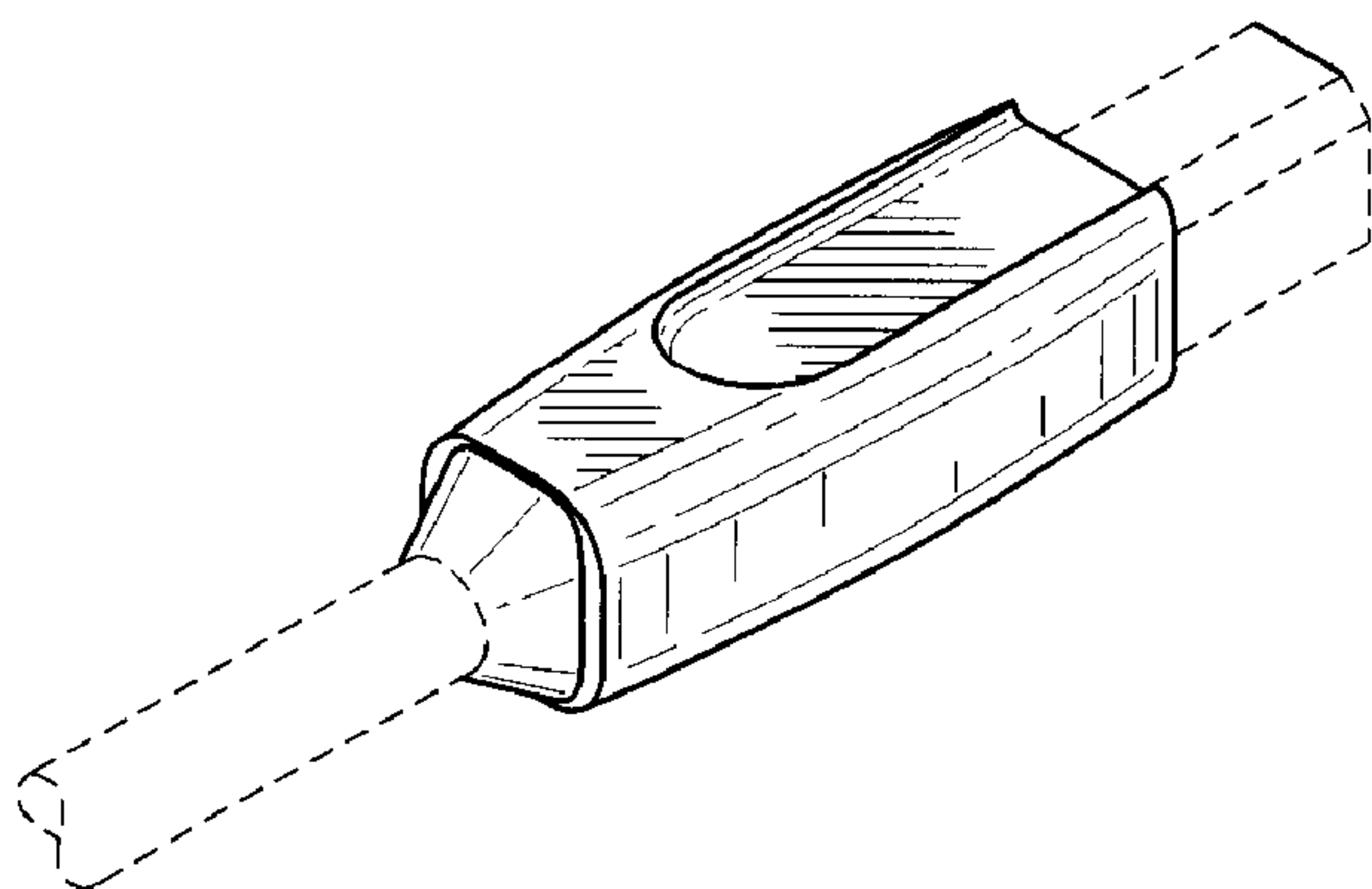


FIG. 6

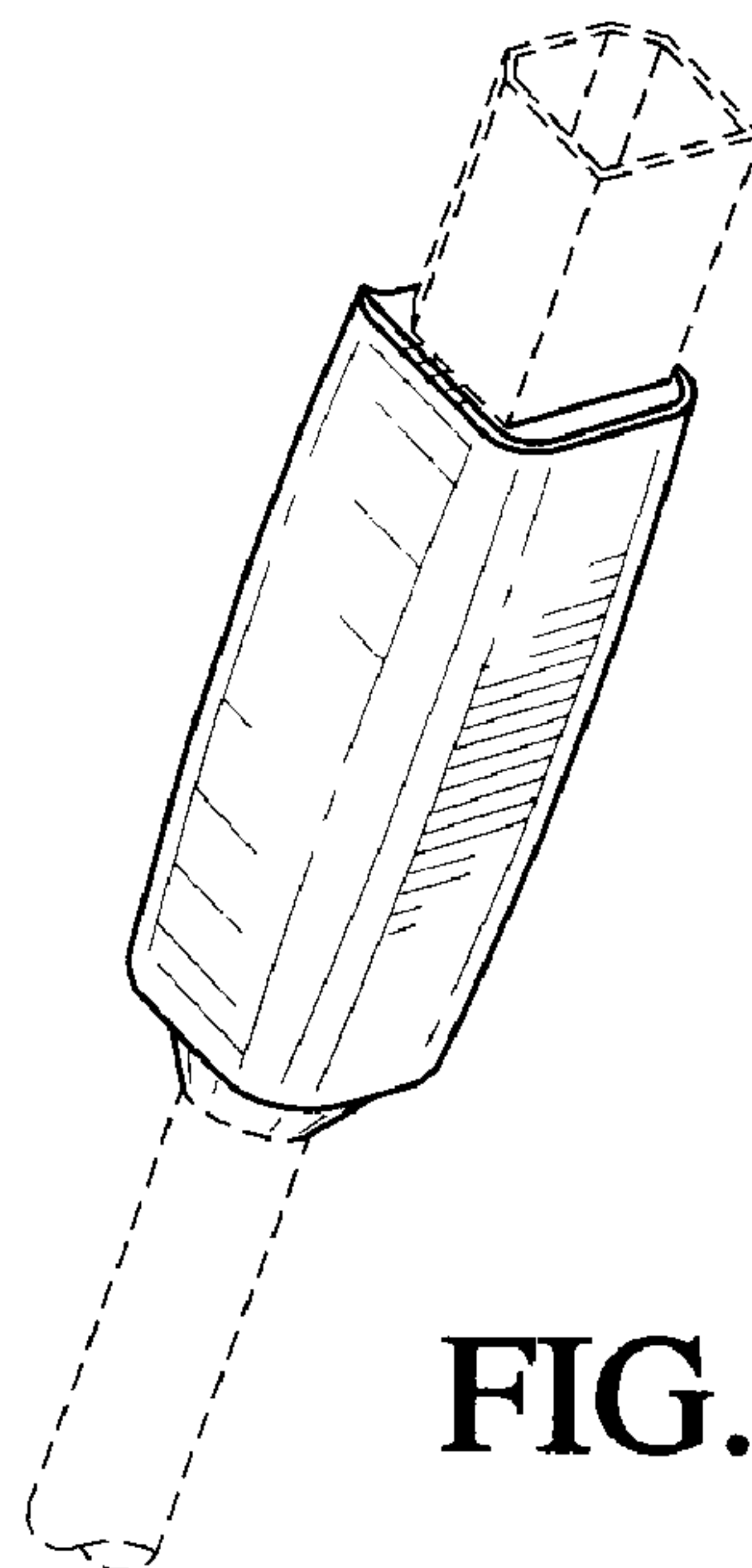


FIG. 7