



US00D520456S

(12) **United States Design Patent**
Kuo

(10) **Patent No.:** **US D520,456 S**

(45) **Date of Patent:** **** May 9, 2006**

(54) **CABLE CONNECTOR**

(75) Inventor: **Peter Kuo**, Tu-Cheng (TW)

(73) Assignee: **Hon Hai Precision Ind. Co., Ltd.**,
Taipei Hsien (TW)

(**) Term: **14 Years**

(21) Appl. No.: **29/233,440**

(22) Filed: **Jun. 30, 2005**

(30) **Foreign Application Priority Data**

May 20, 2005 (CN) 2005 0 0838345

(51) **LOC (8) Cl.** **13-03**

(52) **U.S. Cl.** **D13/147**

(58) **Field of Classification Search** D13/133,
D13/146-147, 154, 184, 199; 439/352-353,
439/357-358, 582, 694, 844, 854-855, 902
See application file for complete search history.

(56) **References Cited**

U.S. PATENT DOCUMENTS

- 4,838,808 A * 6/1989 Fujiura 439/357
- D427,150 S * 6/2000 Kuo D13/147
- D449,820 S * 10/2001 Lee D13/147
- D479,200 S * 9/2003 Liu et al. D13/147

- D479,508 S * 9/2003 Wang et al. D13/147
- 6,699,075 B1 * 3/2004 Ko 439/610
- D491,147 S * 6/2004 Ji D13/147
- D491,896 S * 6/2004 Yang et al. D13/147
- 2004/0242032 A1 * 12/2004 Liu et al. 439/79

* cited by examiner

Primary Examiner—Stella Reid

Assistant Examiner—Daniel Bui

(74) *Attorney, Agent, or Firm*—Wei Te Chung

(57) **CLAIM**

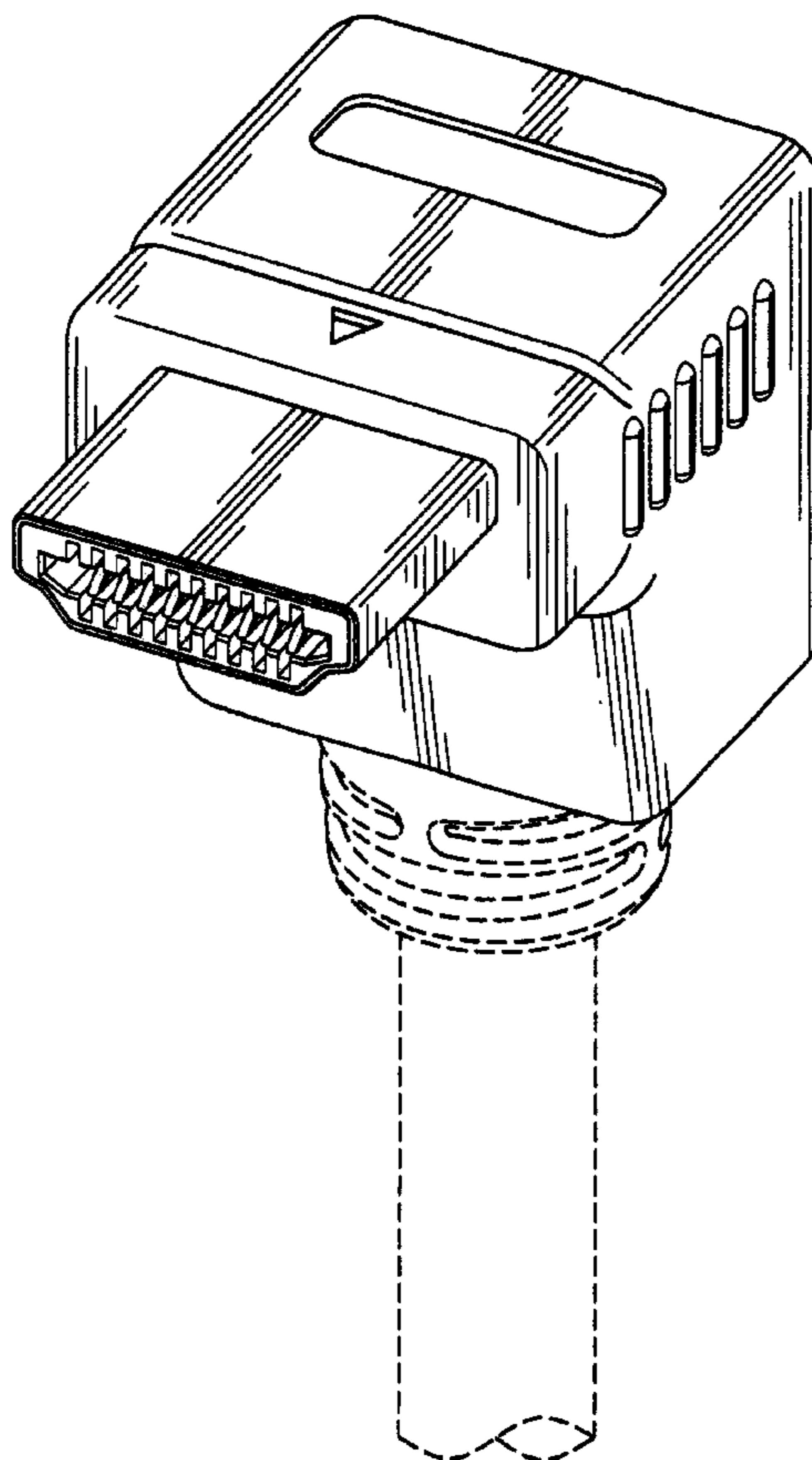
The ornamental design for a cable connector, as shown and described.

DESCRIPTION

FIG. 1 is a front, top and right side perspective view of a cable connector, showing my new design; FIG. 2 is a front elevation view thereof; FIG. 3 is a rear elevation view thereof; FIG. 4 is a left side elevation view thereof; FIG. 5 is a right side elevation view thereof; FIG. 6 is a top plan view thereof; and, FIG. 7 is a bottom plan view thereof.

The broken line showing of the environment is for illustrative purposes only and forms no part of the claimed design.

1 Claim, 7 Drawing Sheets



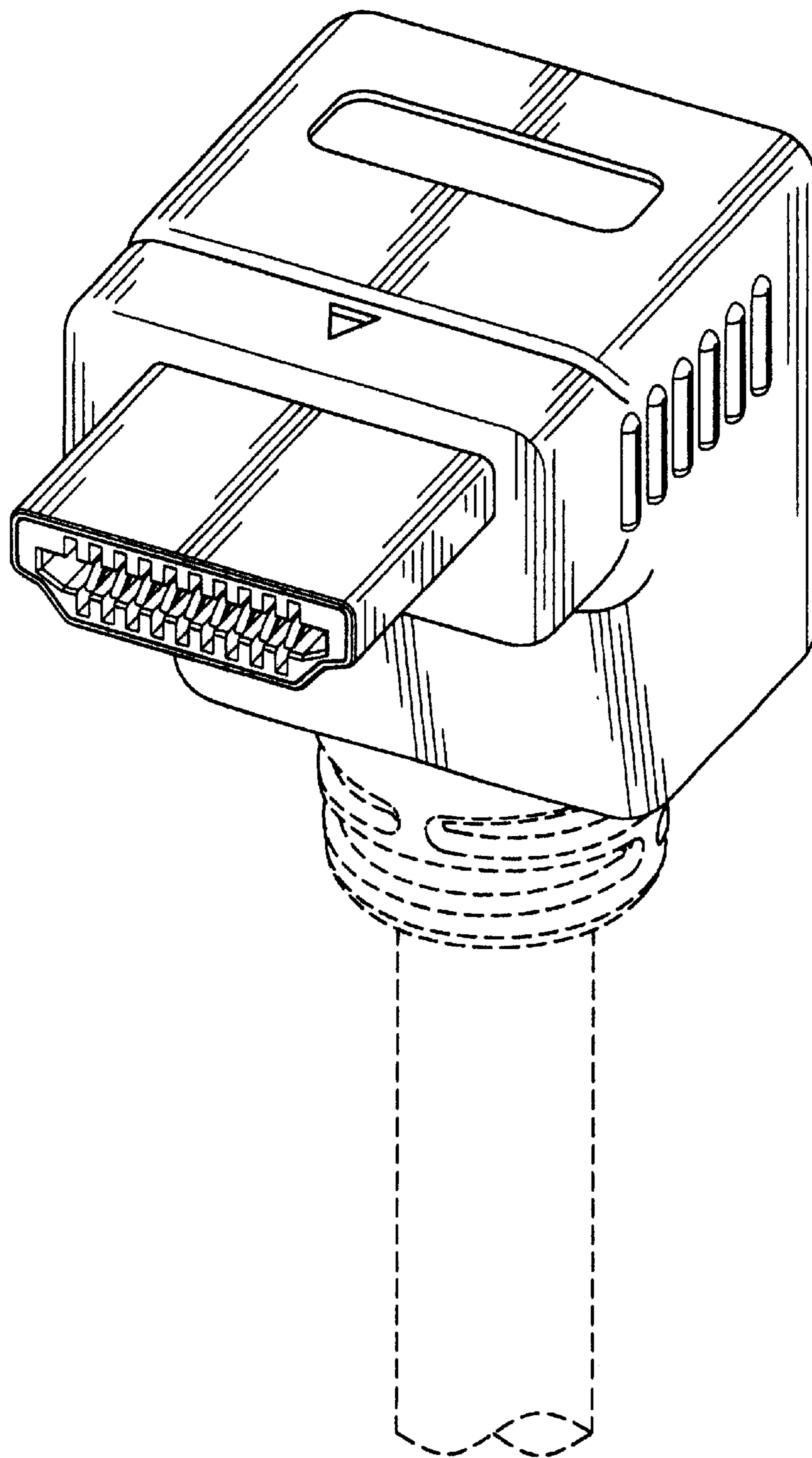


FIG. 1

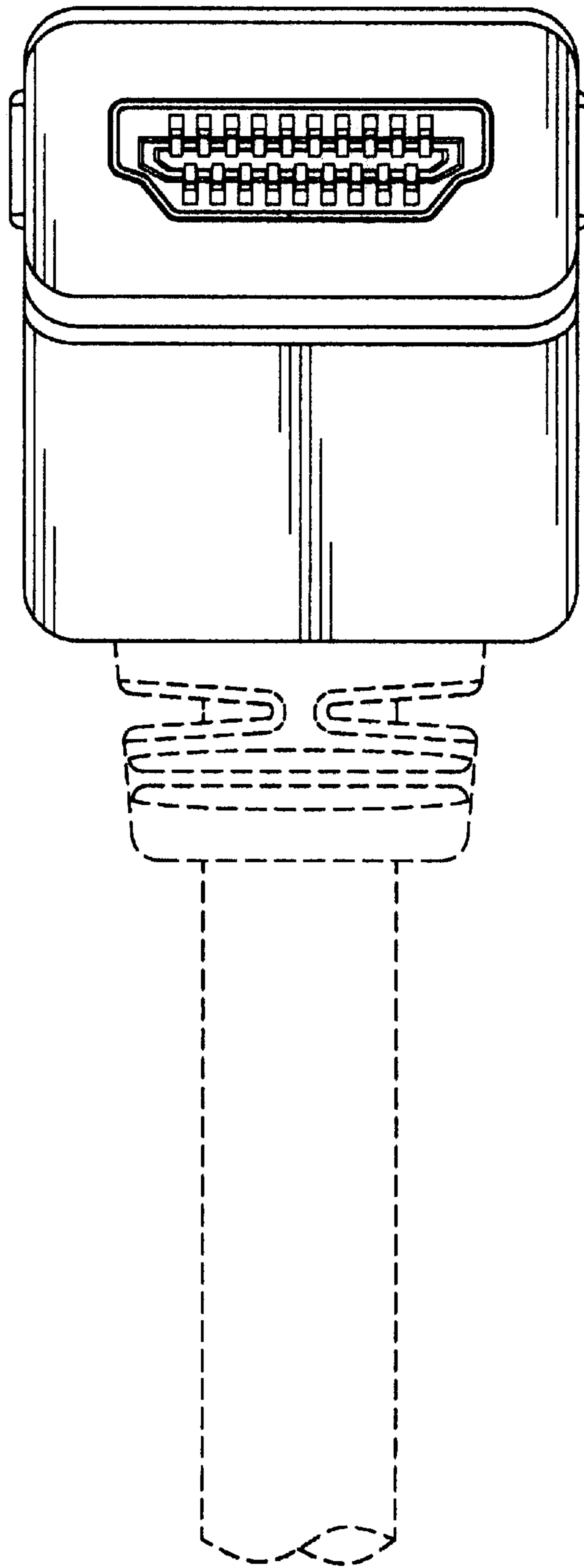


FIG. 2

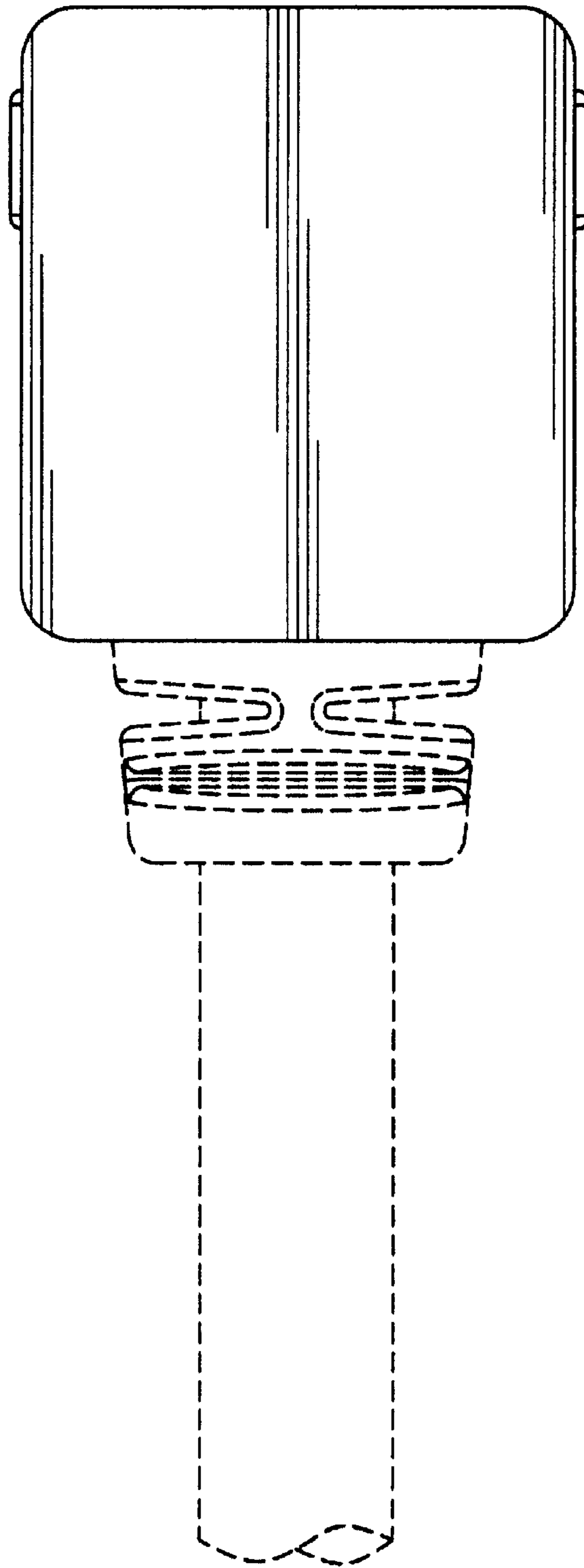


FIG. 3

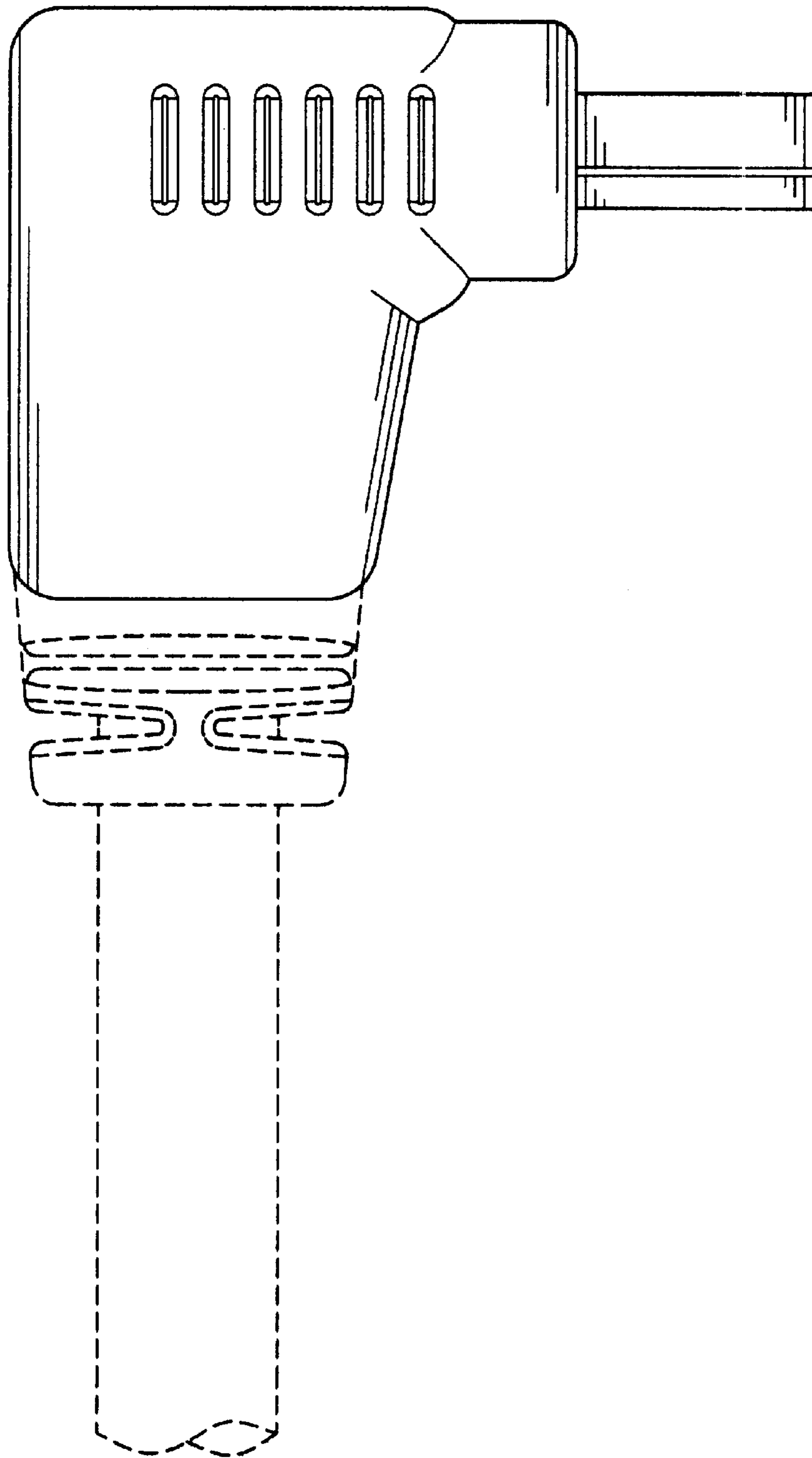


FIG. 4

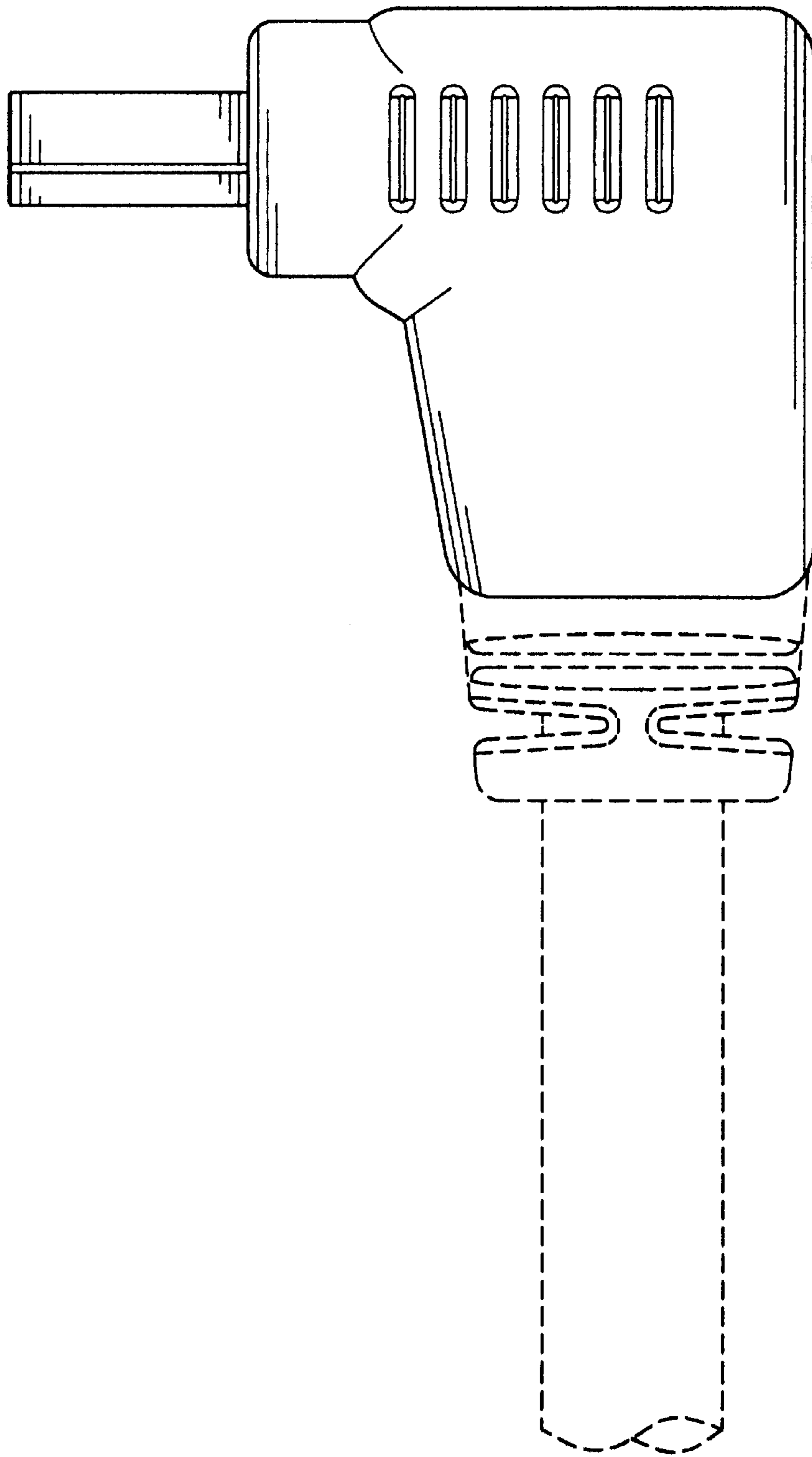


FIG. 5

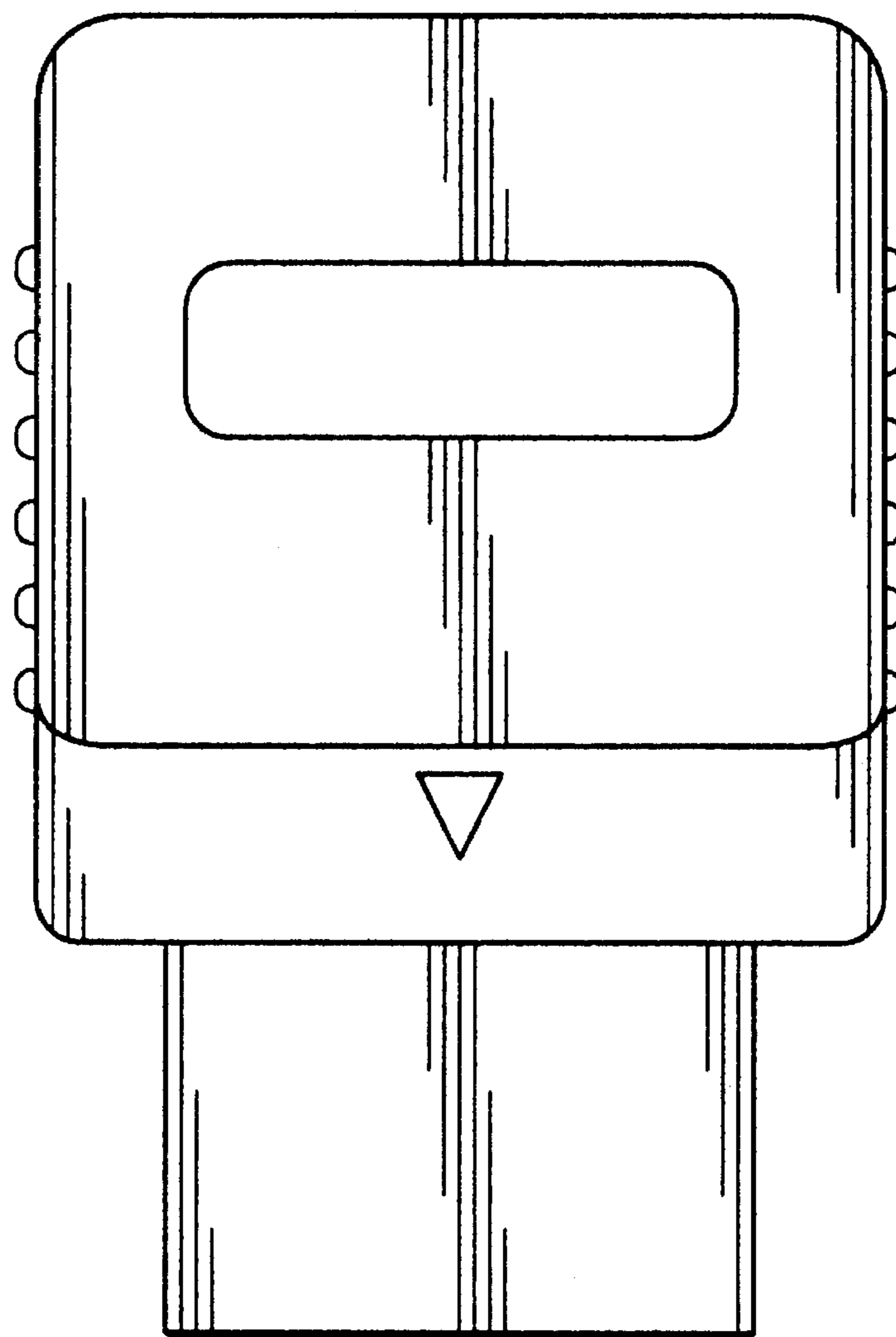


FIG. 6

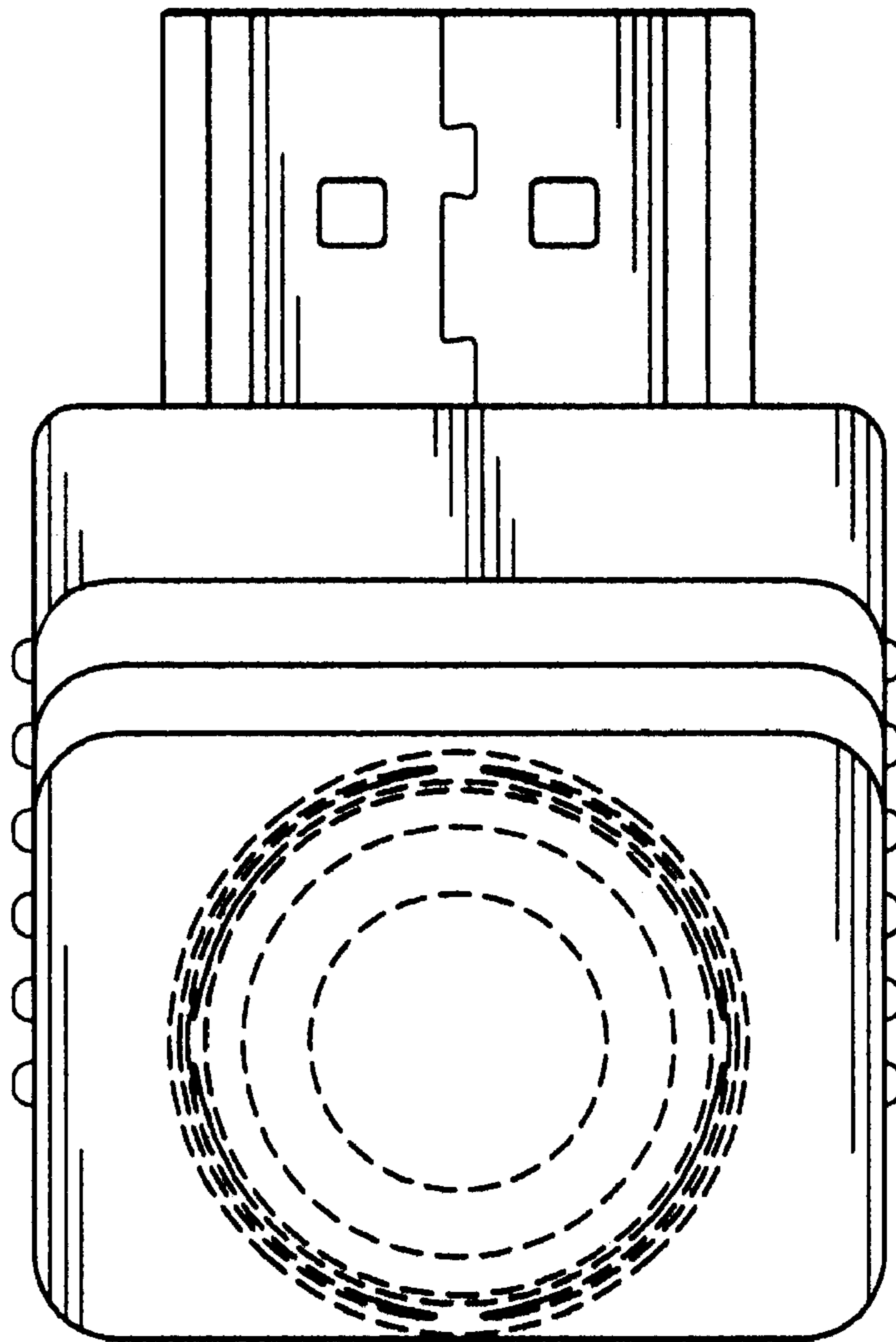


FIG. 7