



US00D520455S

(12) **United States Design Patent**
Huang et al.

(10) **Patent No.:** **US D520,455 S**

(45) **Date of Patent:** **** May 9, 2006**

(54) **ELECTRICAL CONNECTOR**

(75) Inventors: **Shang Yen Huang**, Taipei (TW); **Sheng Ho Yang**, Taipei (TW)

(73) Assignee: **Advanced Connectek Inc.**, Taipei (TW)

(**) Term: **14 Years**

(21) Appl. No.: **29/232,890**

(22) Filed: **Jun. 27, 2005**

(51) **LOC (8) Cl.** **13-03**

(52) **U.S. Cl.** **D13/147**

(58) **Field of Classification Search** D13/133,
D13/146-147, 184, 199; 439/350, 353, 357,
439/378, 489, 587, 595, 680, 752
See application file for complete search history.

(56) **References Cited**

U.S. PATENT DOCUMENTS

5,304,069	A	*	4/1994	Brunker et al.	439/108
6,193,555	B1	*	2/2001	Chang	439/608
6,343,957	B1	*	2/2002	Kuo et al.	439/638
D454,336	S	*	3/2002	Manchester et al.	D13/147

D478,552	S	*	8/2003	Zhang et al.	D13/147
D488,132	S	*	4/2004	Tanaka	D13/147
D505,116	S	*	5/2005	Tanaka	D13/147
6,908,339	B1	*	6/2005	Tanaka	439/607
D508,464	S	*	8/2005	Tanaka	D13/147
2004/0235349	A1	*	11/2004	Tanaka	439/607

* cited by examiner

Primary Examiner—Stella Reid

Assistant Examiner—Daniel Bui

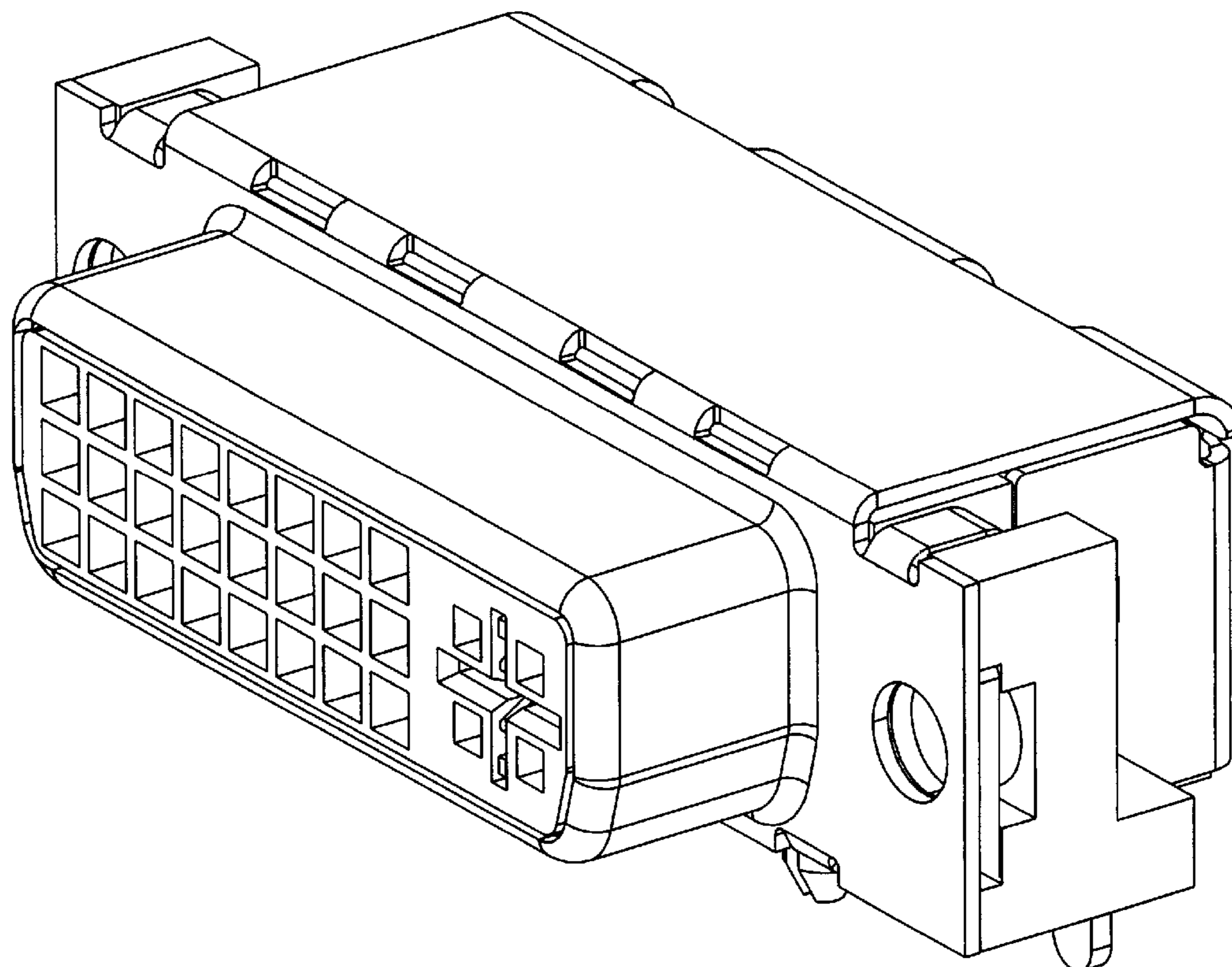
(57) **CLAIM**

The ornamental design for an electrical connector, as shown and described.

DESCRIPTION

FIG. 1 is a perspective view of an electrical connector showing our new design;
FIG. 2 is a front view thereof;
FIG. 3 is a rear view thereof;
FIG. 4 is a left view thereof;
FIG. 5 is a right view thereof;
FIG. 6 is a top view thereof; and,
FIG. 7 is a bottom view of the electrical connector shown in FIG. 1.

1 Claim, 4 Drawing Sheets



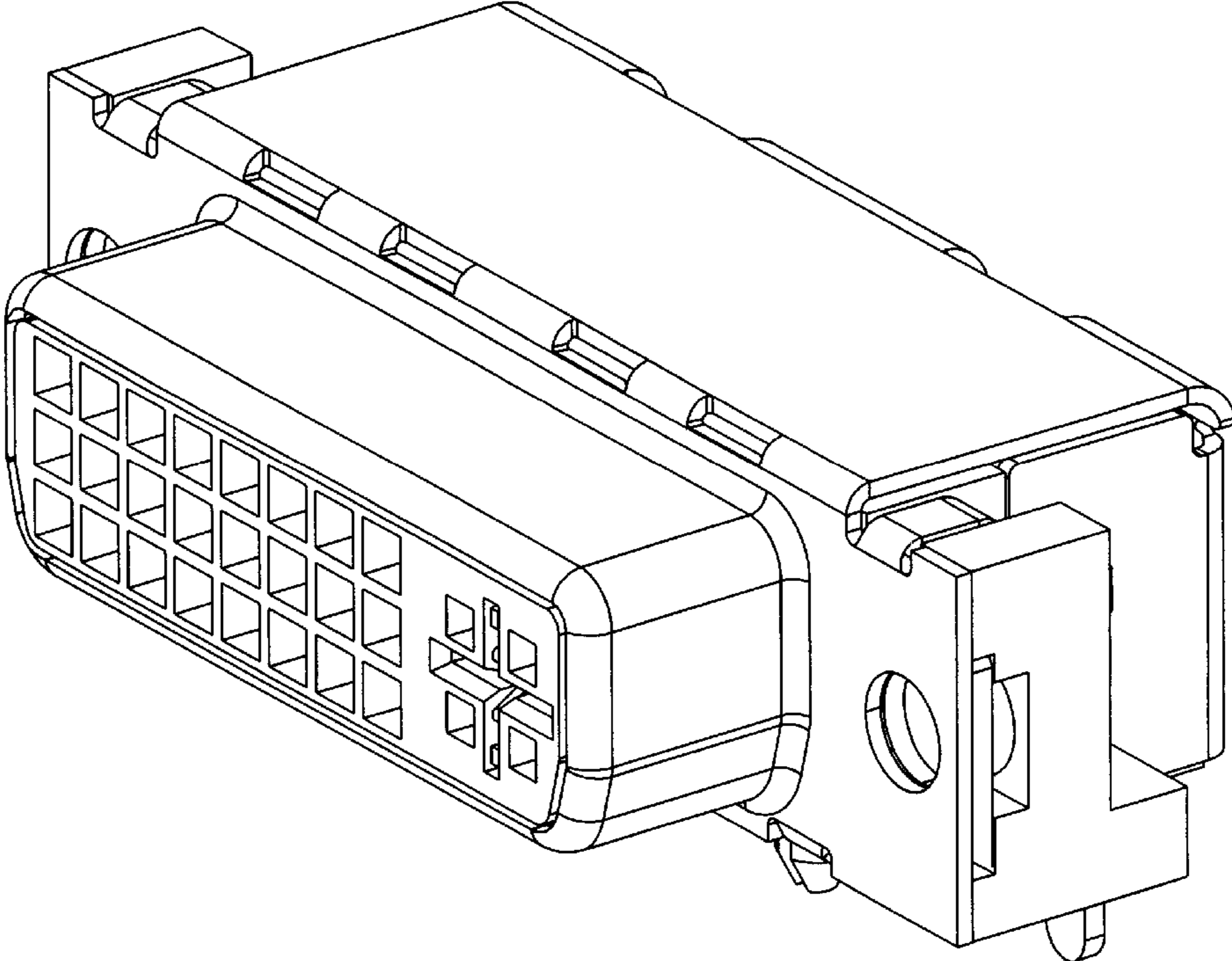


FIG.1

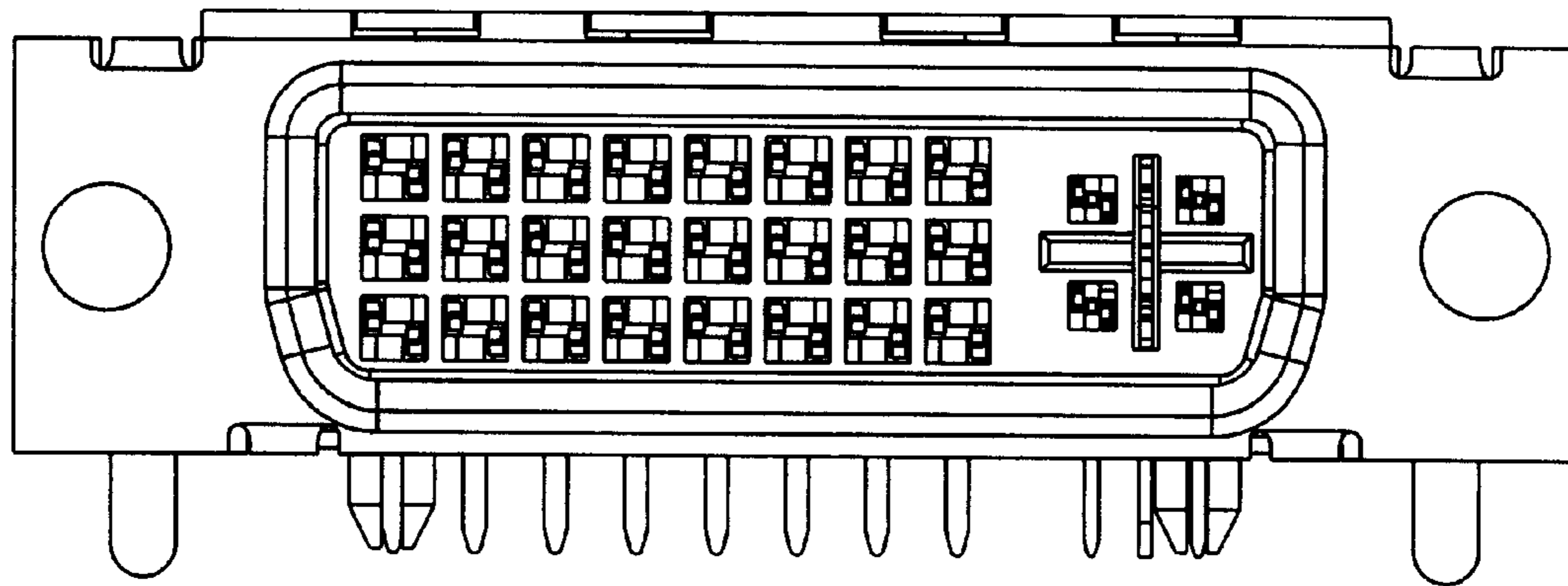


FIG. 2

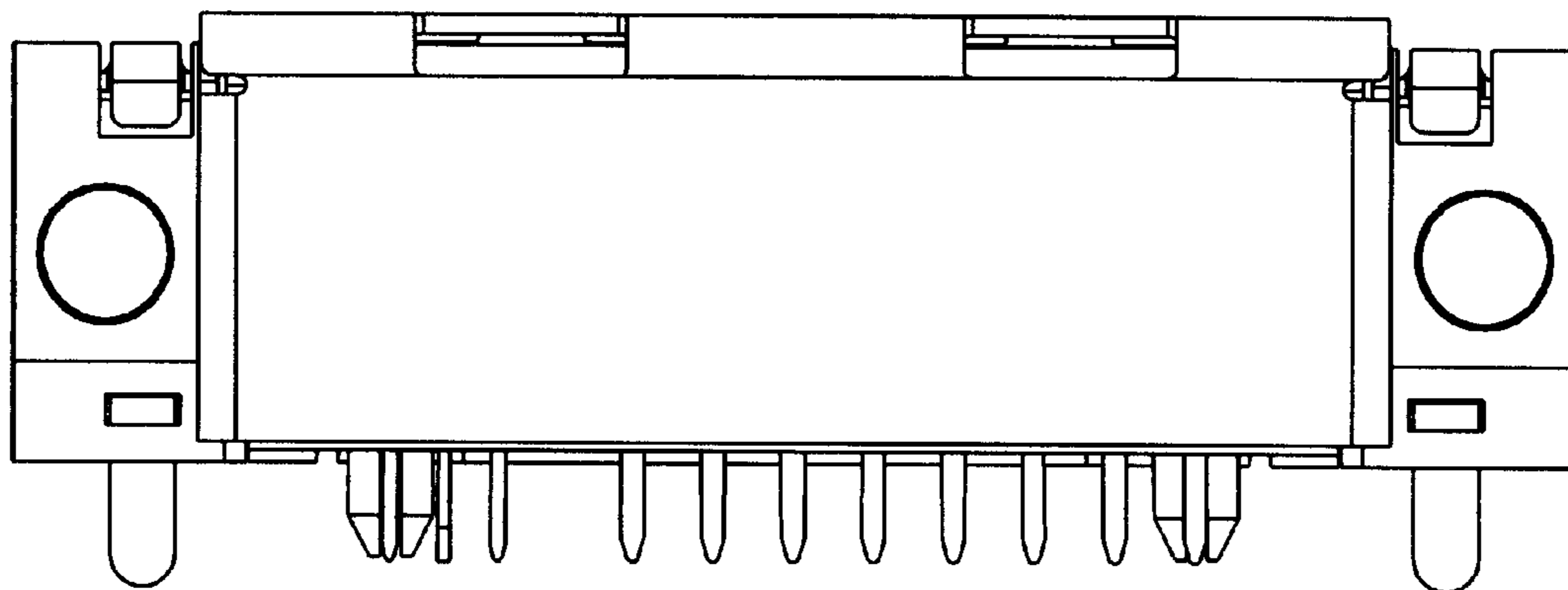


FIG. 3

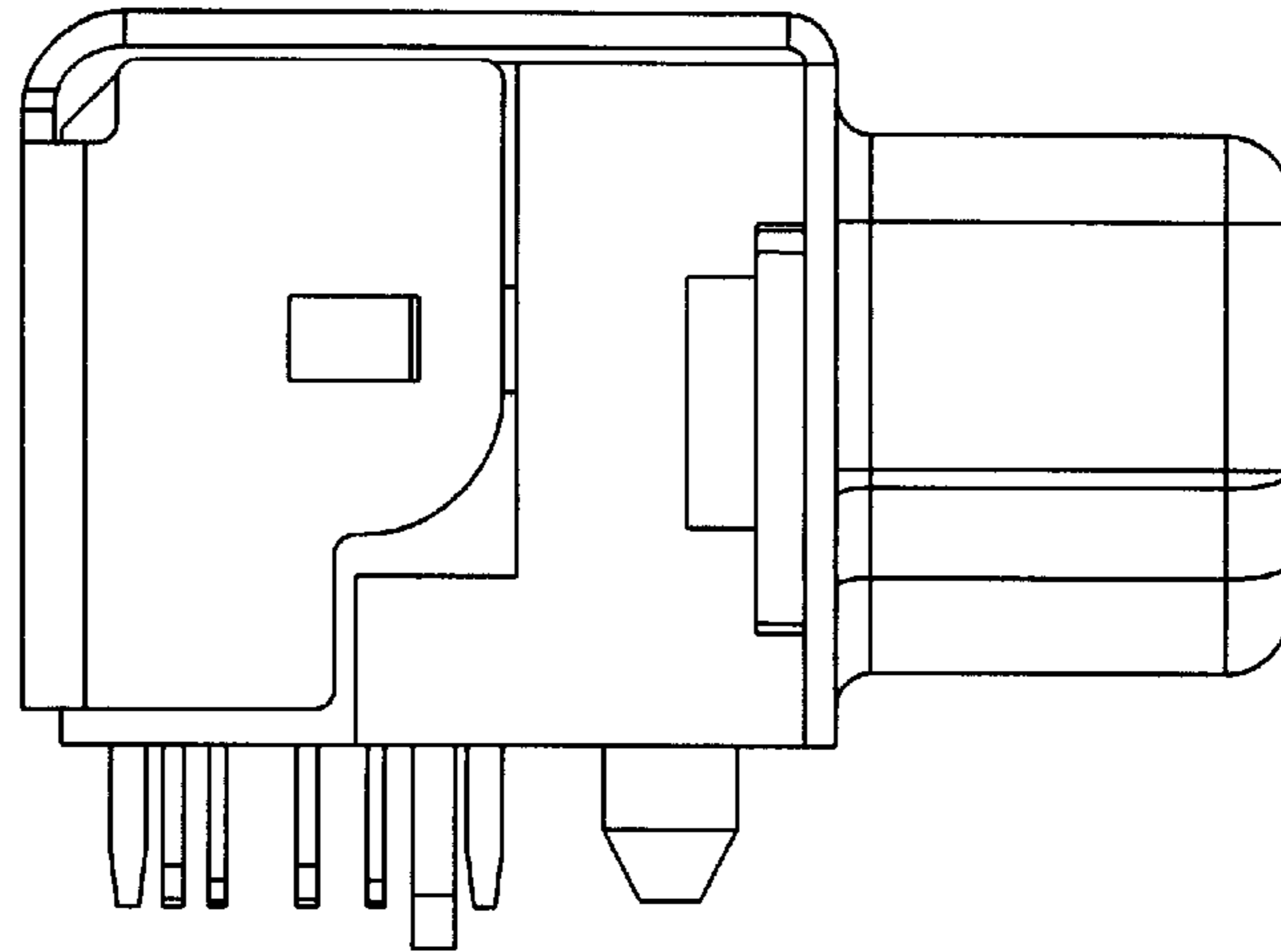


FIG.4

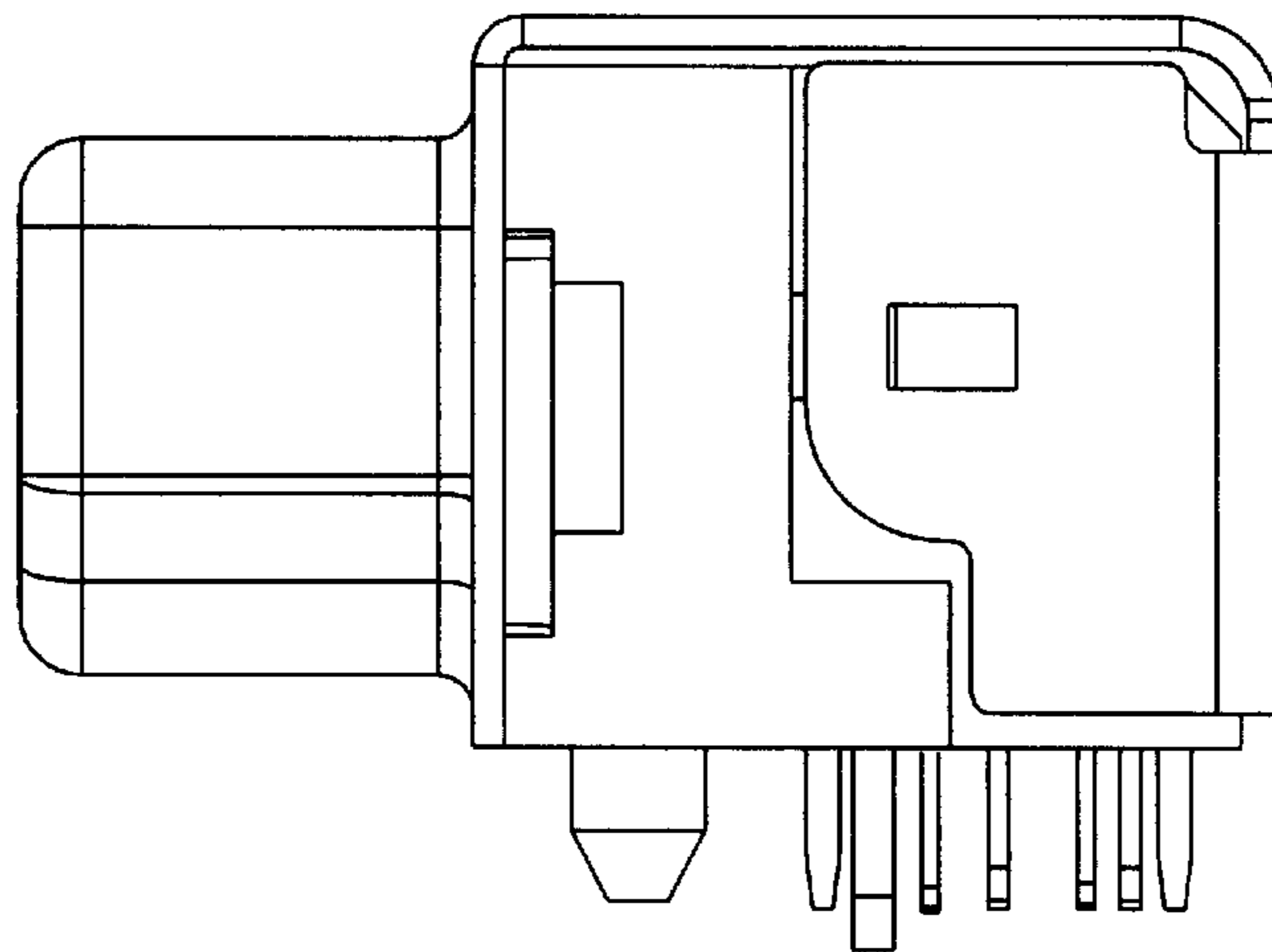


FIG.5

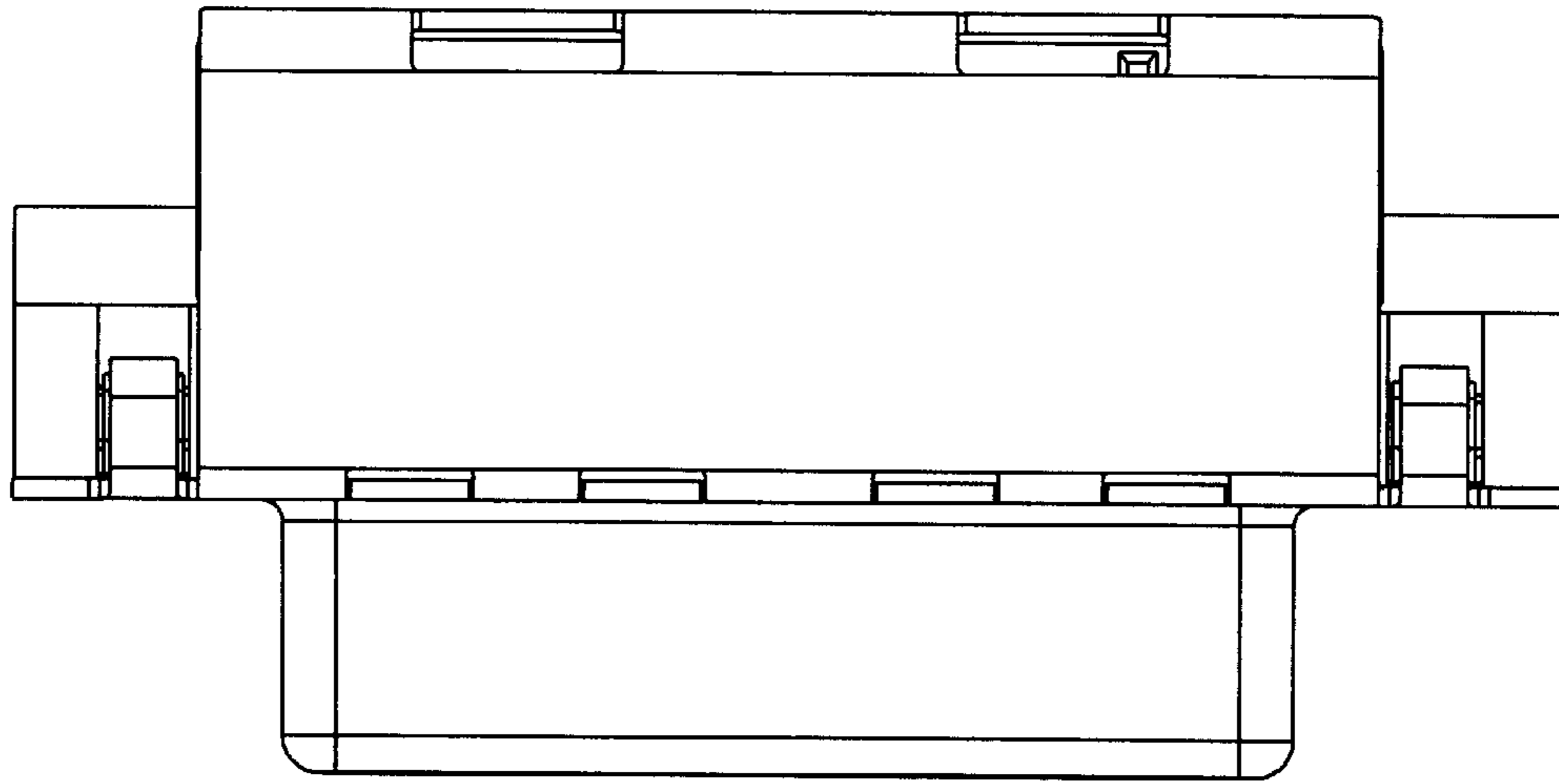


FIG. 6

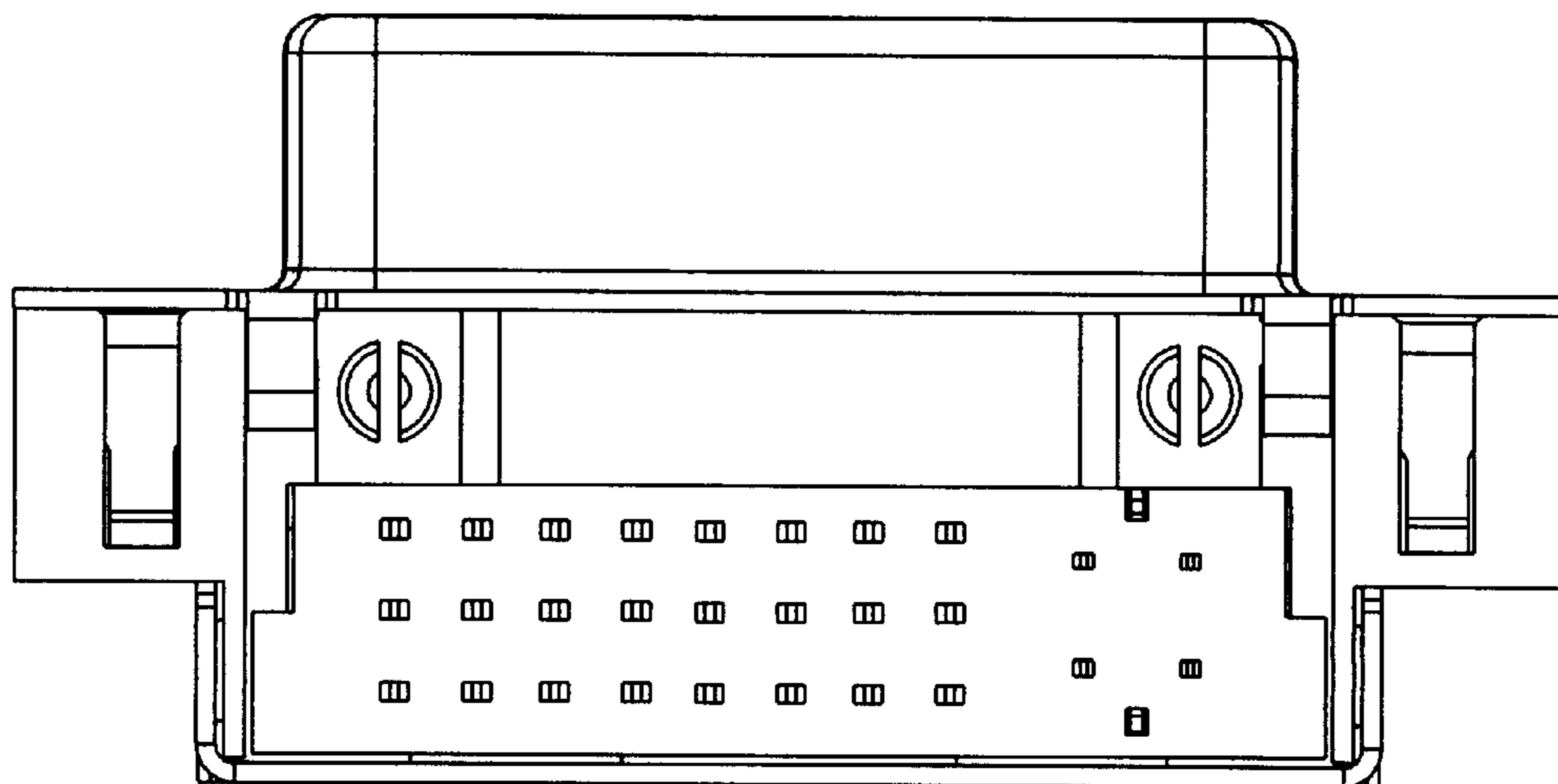


FIG. 7