



US00D520451S

(12) **United States Design Patent**  
**Stekelenburg**

(10) **Patent No.:** **US D520,451 S**

(45) **Date of Patent:** **\*\* May 9, 2006**

(54) **RECEIVER**

(76) **Inventor:** **Albert Stekelenburg**, 9<sup>th</sup> Fl., 102  
Kuang-Fu S. Rd., Taipei (TW)

(\*\*) **Term:** **14 Years**

(21) **Appl. No.:** **29/204,522**

(22) **Filed:** **Apr. 30, 2004**

(51) **LOC (8) Cl.** ..... **13-03**

(52) **U.S. Cl.** ..... **D13/137.3**

(58) **Field of Classification Search** ..... D13/107,  
D13/110, 123, 133, 137.1-139.8, 160; D14/433;  
439/105-107, 535-536, 650-655, 692  
See application file for complete search history.

(56) **References Cited**

**U.S. PATENT DOCUMENTS**

D288,177 S	*	2/1987	Yang	.....	D10/40
D315,893 S	*	4/1991	Cheng	.....	D13/165
D342,581 S	*	12/1993	Reynolds	.....	D26/26
D352,472 S	*	11/1994	Chen	.....	D10/40
D352,667 S	*	11/1994	Chen	.....	D10/40
D382,251 S	*	8/1997	Tsui	.....	D13/137.1

D429,688 S	*	8/2000	Russo	.....	D13/123
D432,990 S	*	10/2000	Stekelenburg	.....	D13/137.3
D446,187 S	*	8/2001	Lam et al.	.....	D13/137.2
D454,538 S	*	3/2002	Glickman	.....	D13/110
D486,450 S	*	2/2004	Stekelenburg	.....	D13/137.3

\* cited by examiner

*Primary Examiner*—Alan P. Douglas

*Assistant Examiner*—Rosemary K. Tarcza

(74) *Attorney, Agent, or Firm*—Troxell Law Office, PLLC

(57) **CLAIM**

The ornamental design for a receiver, as shown and described.

**DESCRIPTION**

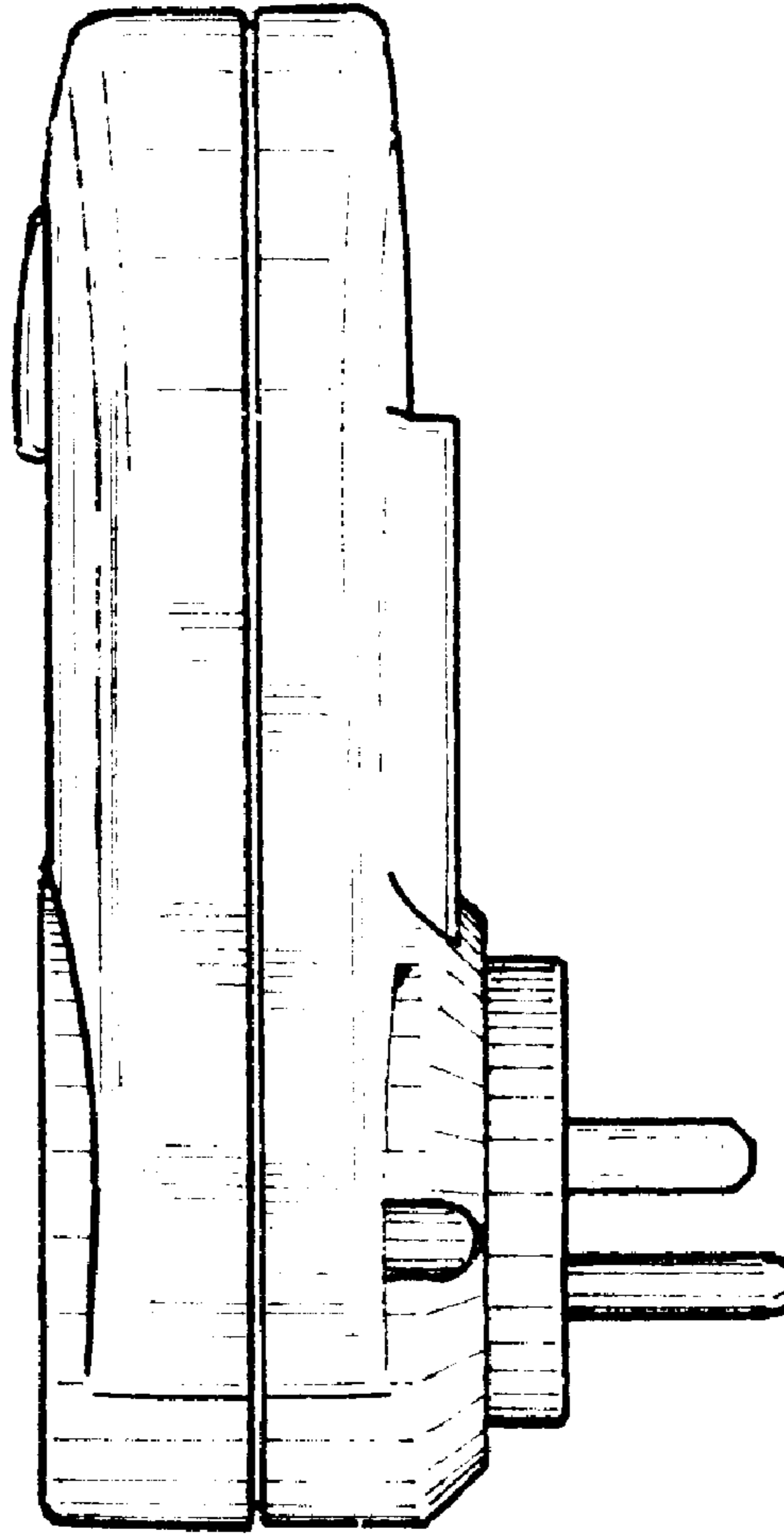
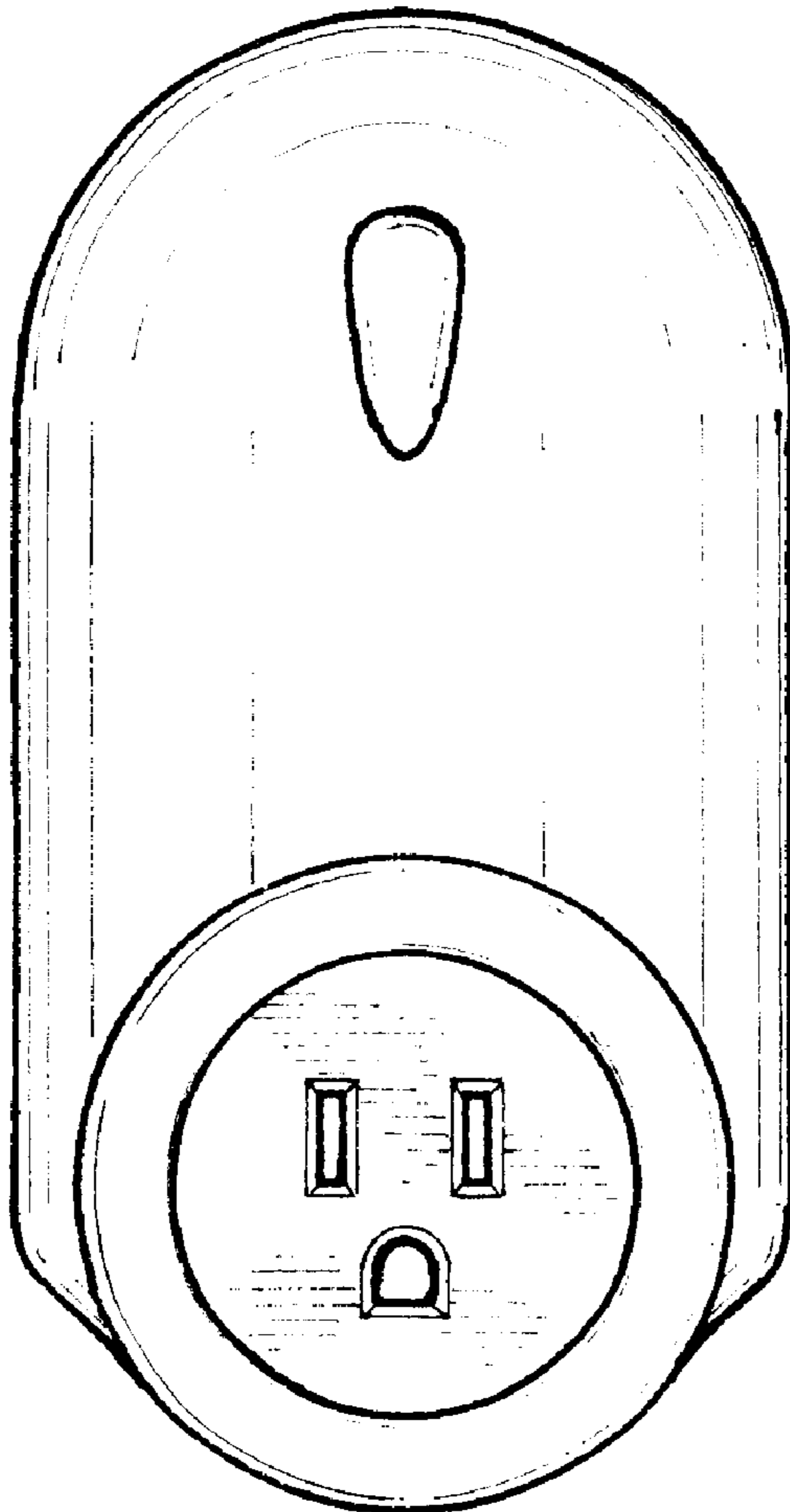
FIG. 1 is a top view of a receiver showing of my new design; FIG. 2 is a front view thereof;

FIG. 3 is a right side elevational view thereof; (left side elevational view is symmetrical as right side elevational view);

FIG. 4 is a rear view thereof; and,

FIG. 5 is a bottom view thereof.

**1 Claim, 1 Drawing Sheet**



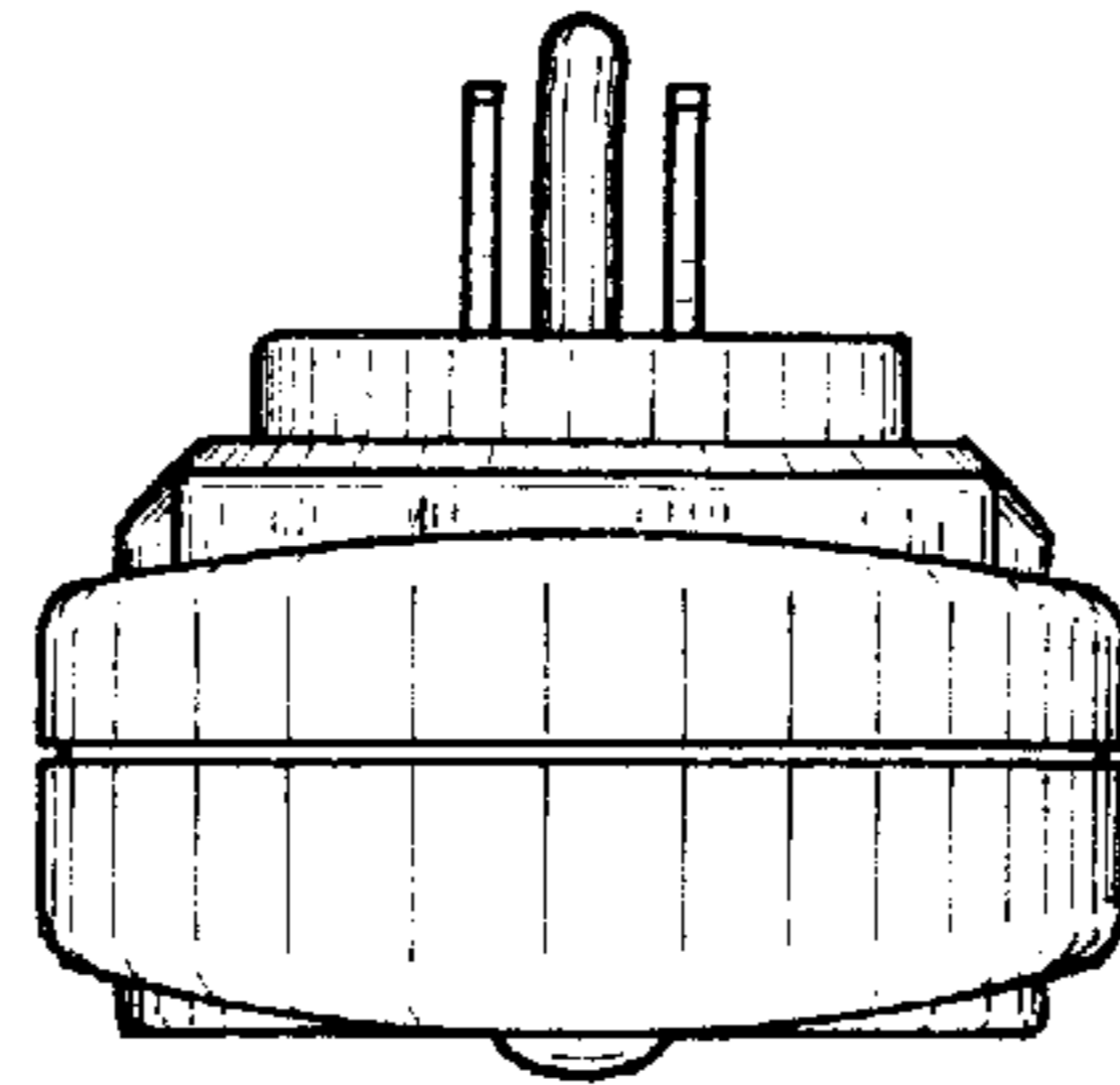


FIG. 1

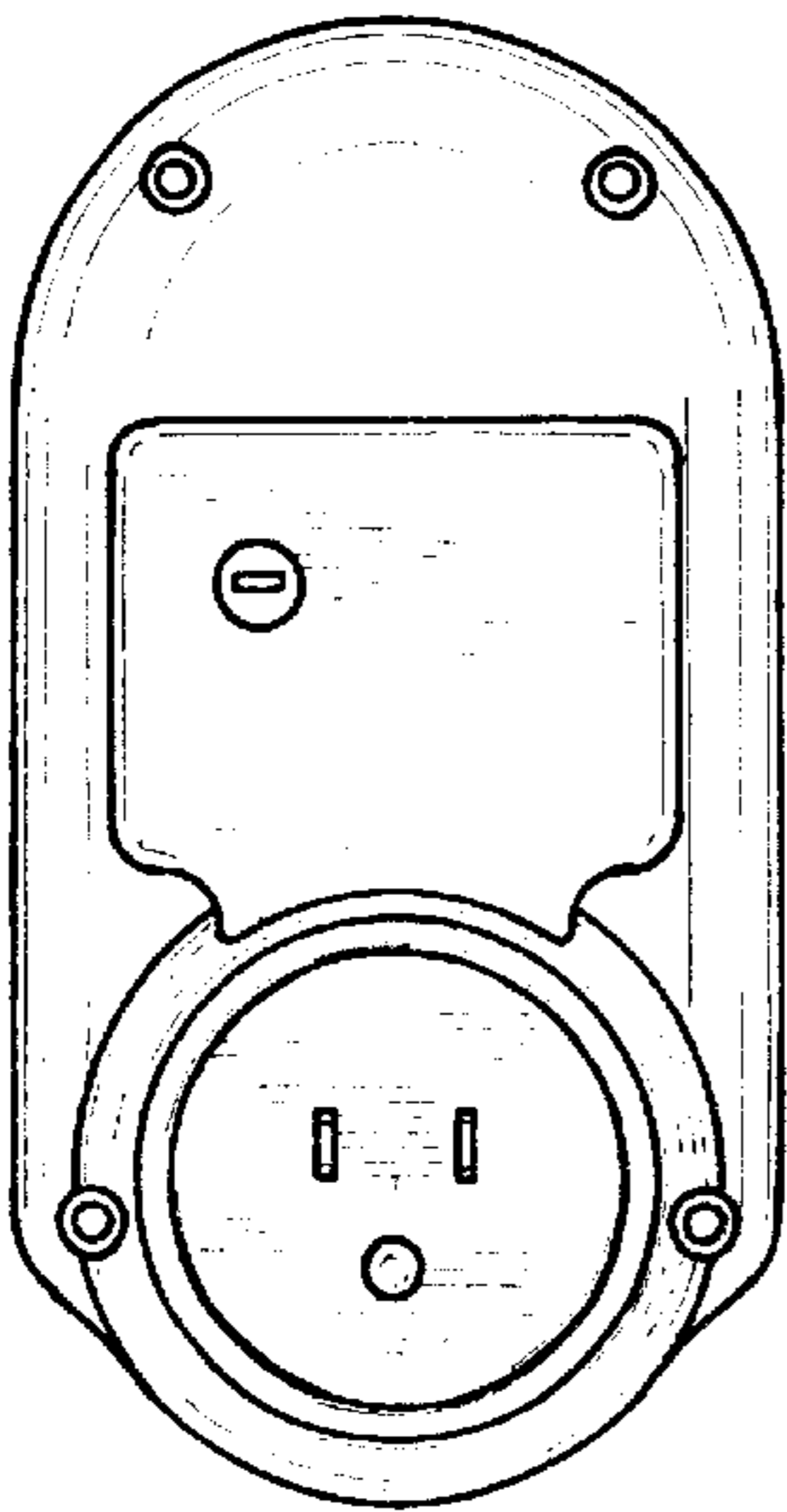


FIG. 4

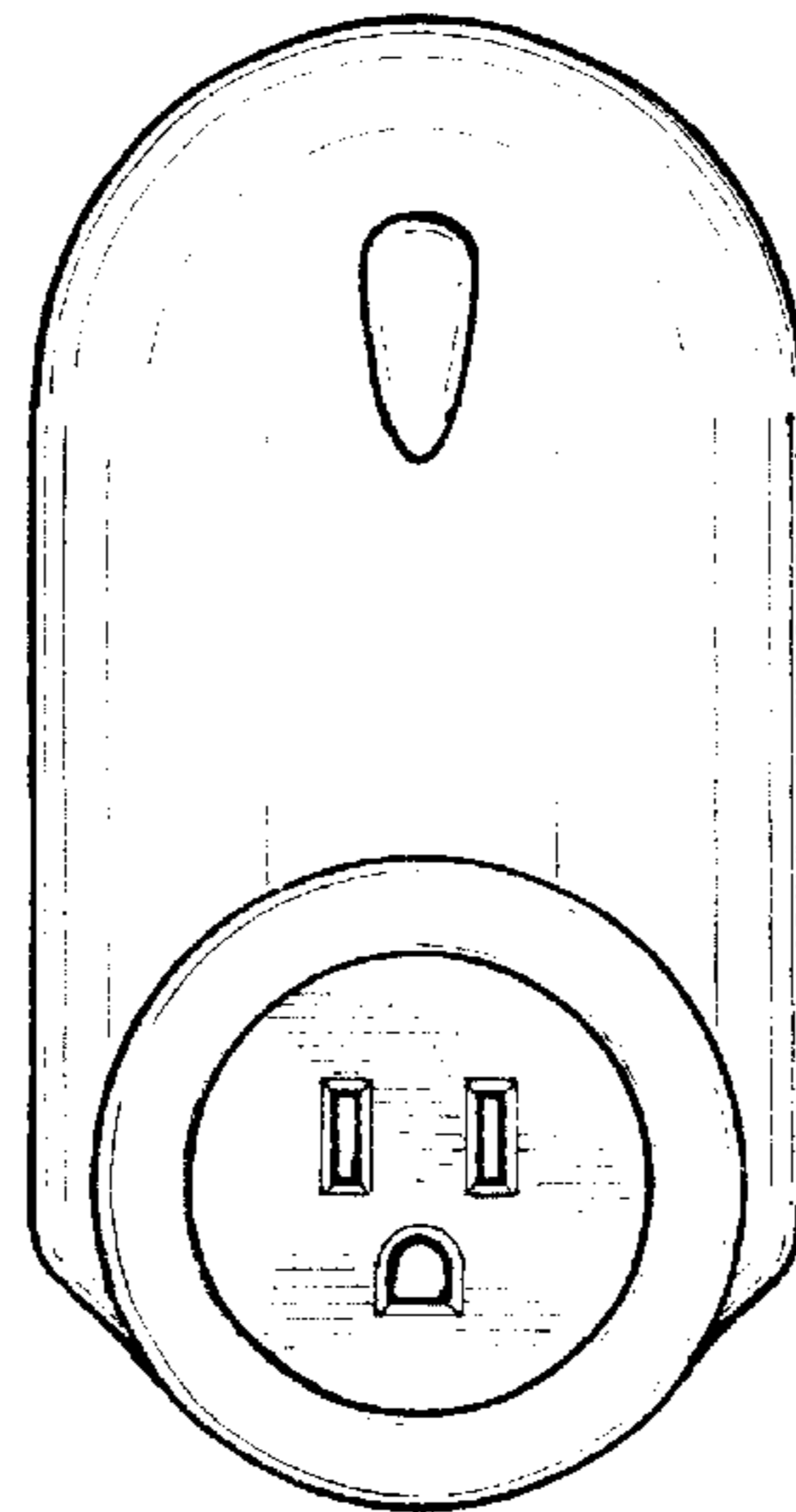


FIG. 2

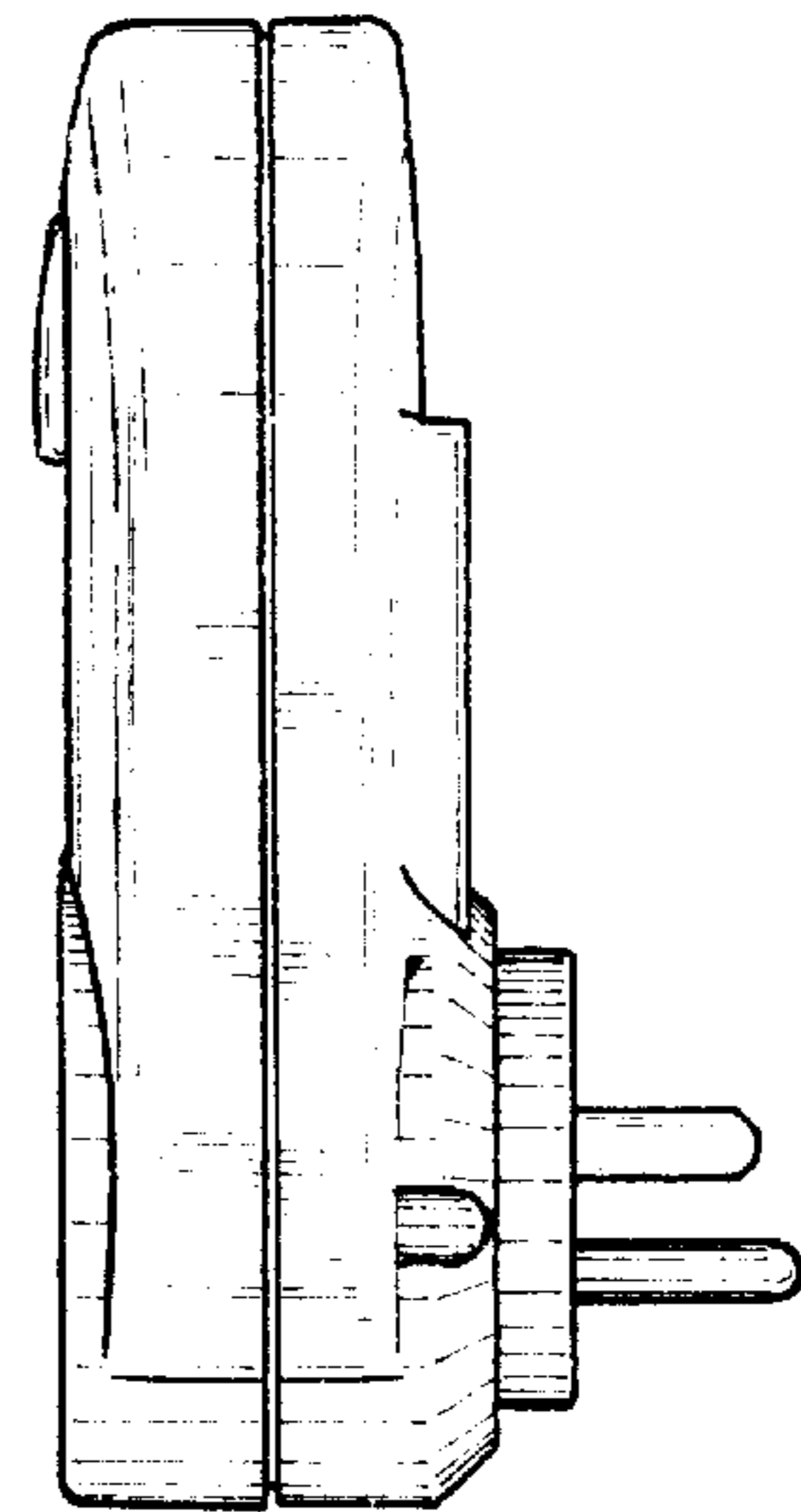


FIG. 3

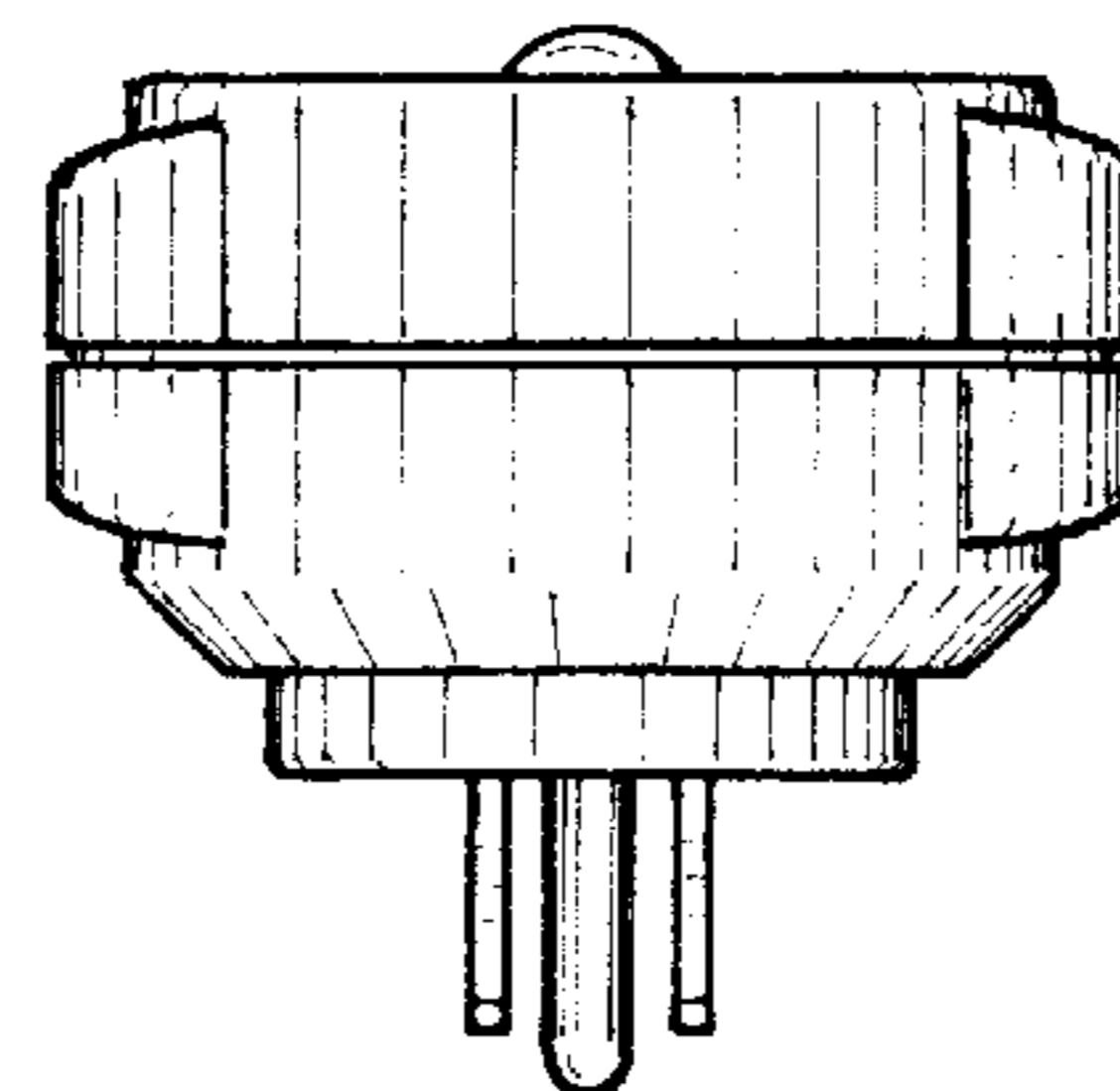


FIG. 5