



US00D520450S

(12) **United States Design Patent**  
**Shiraishi et al.**

(10) **Patent No.:** **US D520,450 S**

(45) **Date of Patent:** **\*\* May 9, 2006**

(54) **OPTICAL ADD-DROP MULTIPLEXER**

(75) Inventors: **Makoto Shiraishi**, Nishikamo-gun (JP);  
**Kentaro Hayashi**, Nishikamo-gun (JP);  
**Yutaka Katsuyama**, Sakai (JP)

(73) Assignee: **J.S.T. Mfg. Co., Ltd.**, Osaka (JP)

(\*\*) Term: **14 Years**

(21) Appl. No.: **29/207,441**

(22) Filed: **Jun. 15, 2004**

(30) **Foreign Application Priority Data**

Dec. 26, 2003 (JP) ..... 2003-038800

(51) **LOC (8) Cl.** ..... **13-03**

(52) **U.S. Cl.** ..... **D13/133**

(58) **Field of Classification Search** ..... D13/133,  
D13/146-147, 154, 184, 199; 385/55, 59-60,  
385/71-78, 80, 83, 89-91; 439/353, 358,  
439/660, 682

See application file for complete search history.

(56) **References Cited**

**U.S. PATENT DOCUMENTS**

- D242,146 S \* 11/1976 Sheesley ..... D14/256
- 5,016,968 A \* 5/1991 Hammond et al. .... 385/78
- D324,028 S \* 2/1992 Sueyoshi et al. .... D13/133
- 5,268,982 A \* 12/1993 Schaffer et al. .... 385/86
- 5,628,648 A \* 5/1997 Higgins et al. .... 439/489
- D413,302 S \* 8/1999 Sekiguchi et al. .... D13/133
- D427,149 S \* 6/2000 Konno et al. .... D13/133

- 6,409,392 B1 \* 6/2002 Lampert et al. .... 385/56
- D494,141 S \* 8/2004 Spink, Jr. .... D13/147
- 2002/0061171 A1 \* 5/2002 Asada ..... 385/60

**FOREIGN PATENT DOCUMENTS**

TW 560933 S 11/2003

**OTHER PUBLICATIONS**

Office Action of Taiwanese Design Patent Application  
mailed May 17, 2005.

\* cited by examiner

*Primary Examiner*—Prabhakar Deshmukh

*Assistant Examiner*—Daniel Bui

(74) *Attorney, Agent, or Firm*—Rader, Fishman & Grauer  
PLLC

(57) **CLAIM**

The ornamental design for an optical add-drop multiplexer,  
as shown and described.

**DESCRIPTION**

FIG. 1 is a perspective view of an optical add-drop multi-  
plexer showing our new design;  
FIG. 2 is a top plan view thereof;  
FIG. 3 is a bottom plan view thereof;  
FIG. 4 is a front elevation view thereof;  
FIG. 5 is a right side view thereof, a left side view thereof  
being a mirror image; and,  
FIG. 6 is a rear elevation view thereof.

**1 Claim, 1 Drawing Sheet**

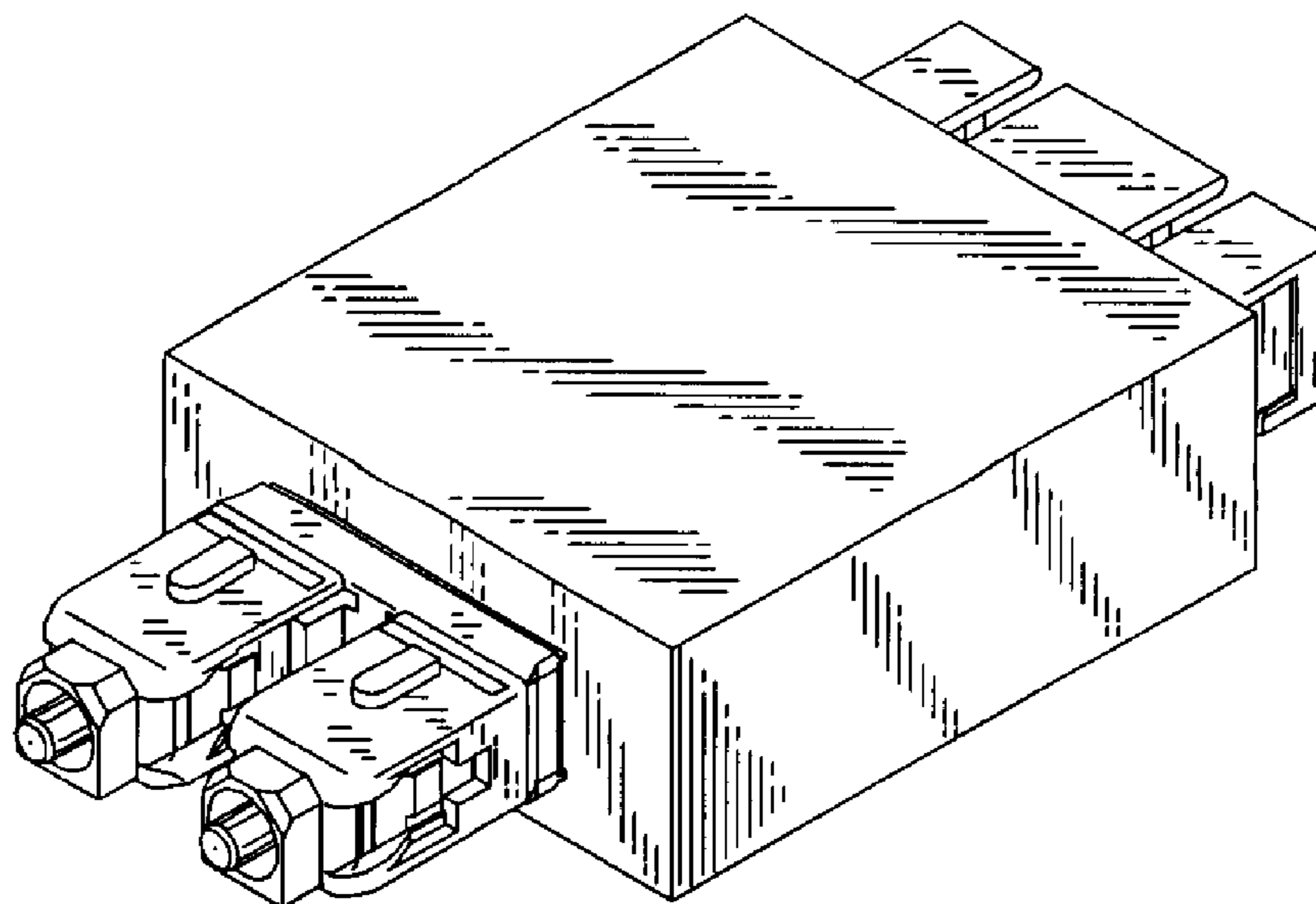


FIG. 1

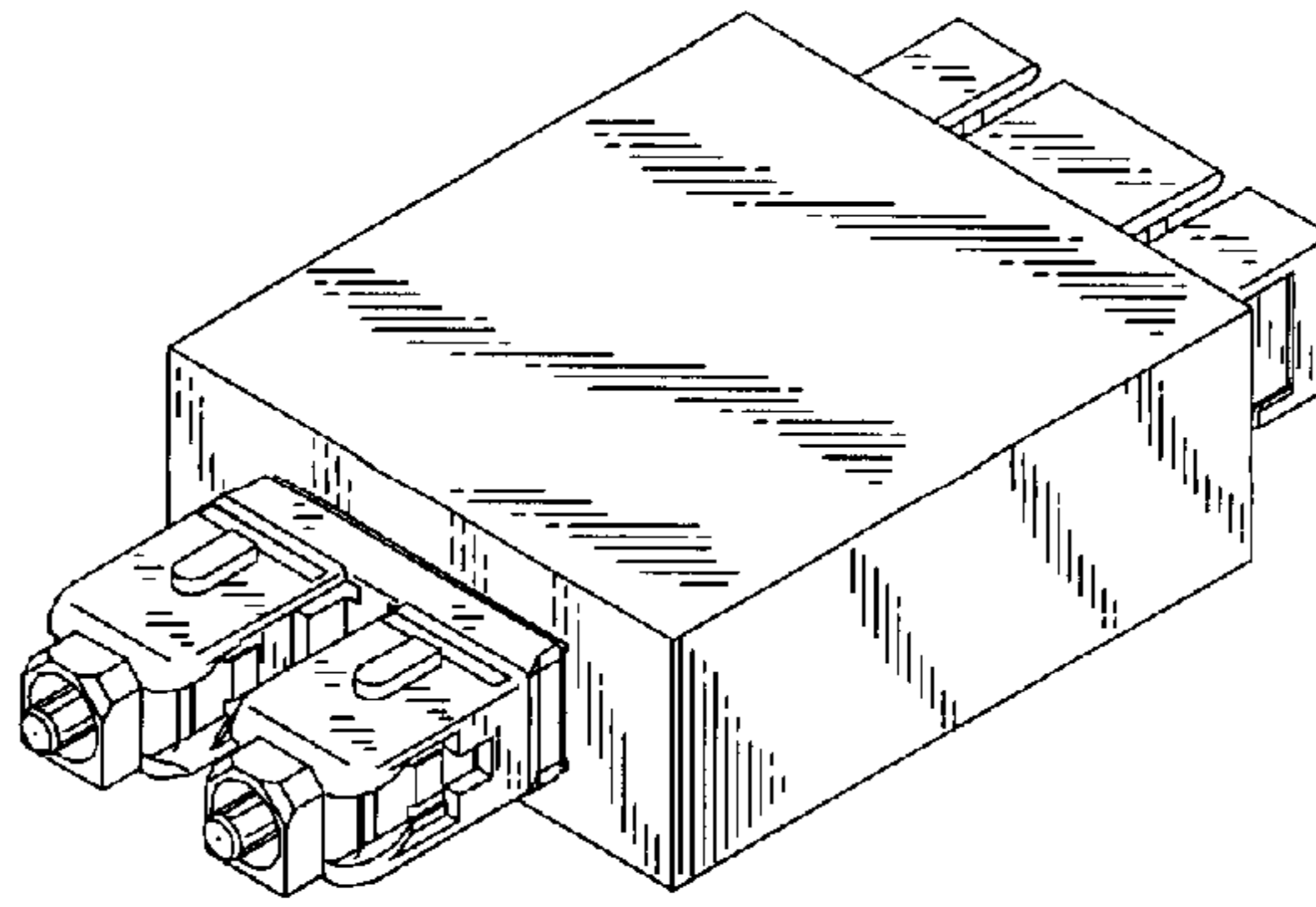


FIG. 2

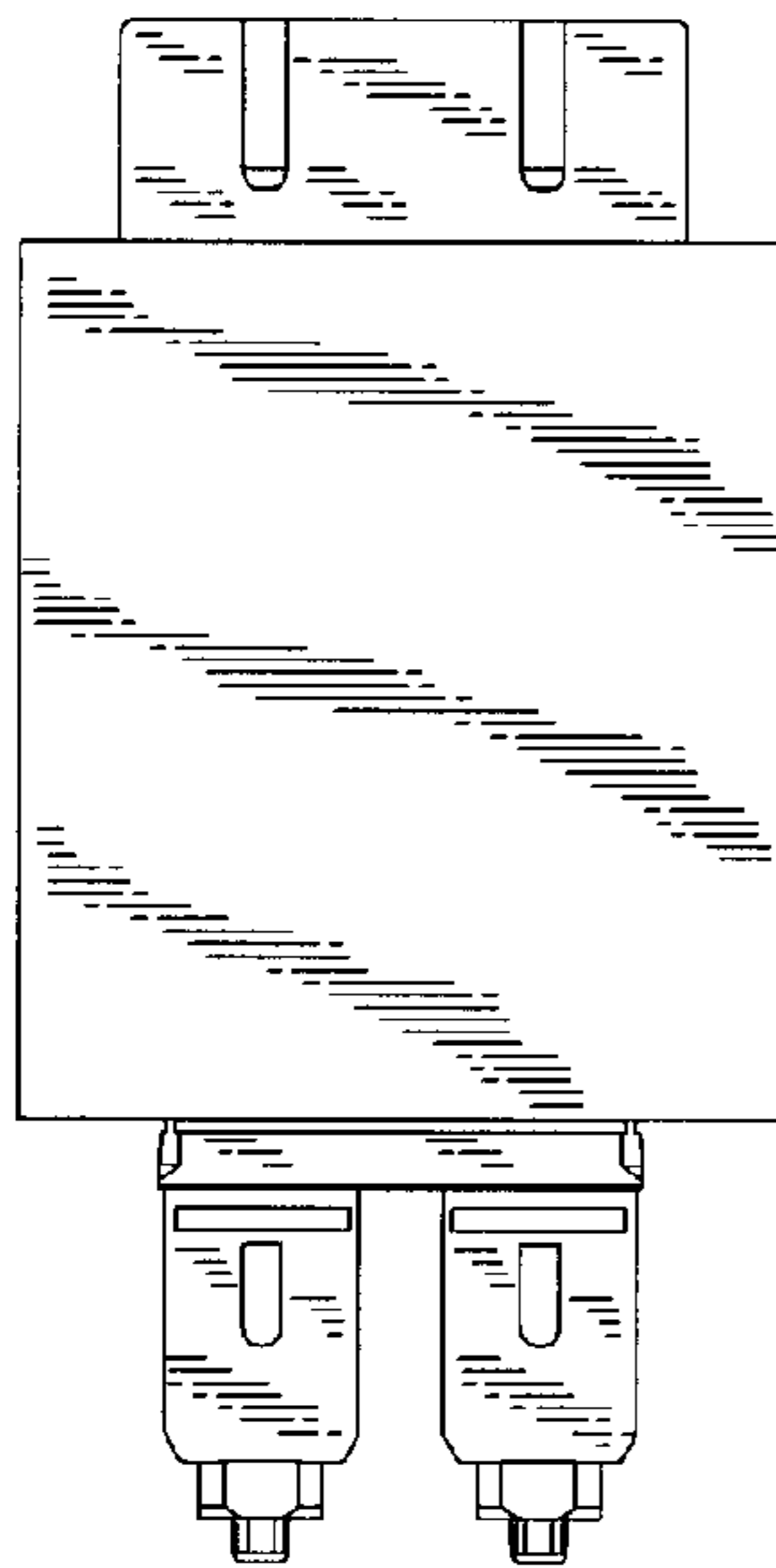


FIG. 3

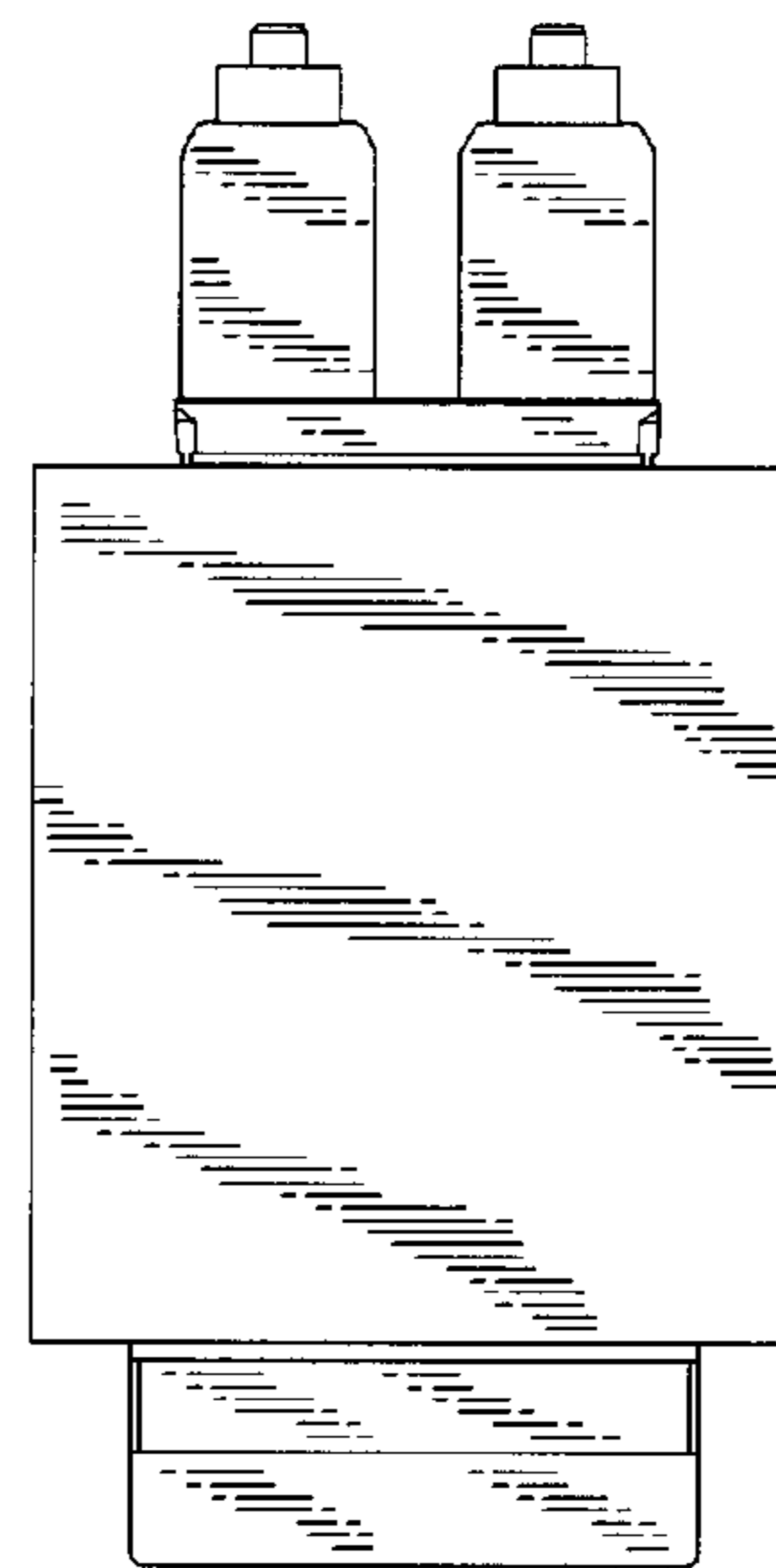


FIG. 4

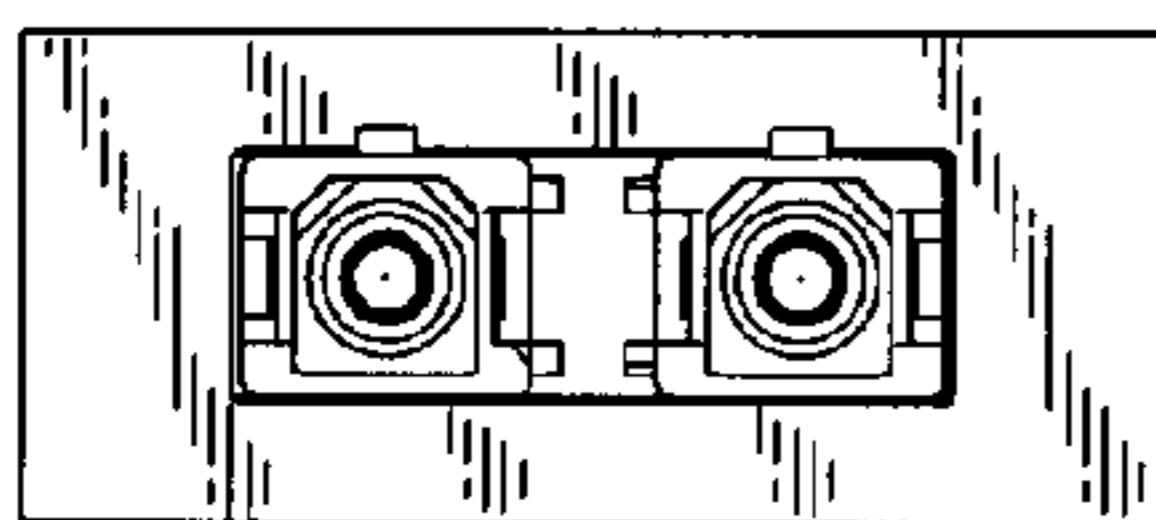


FIG. 5

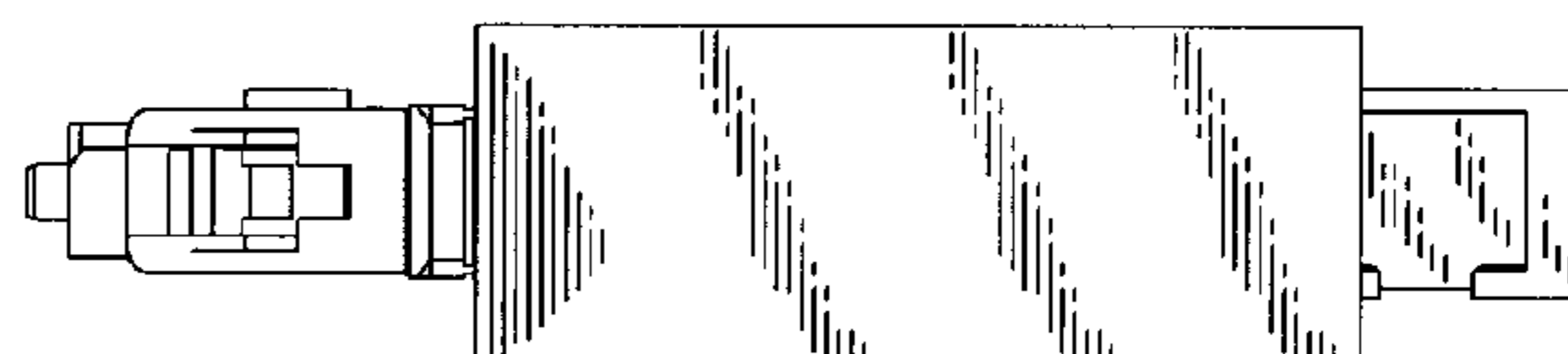


FIG. 6

