



US00D520447S

(12) **United States Design Patent**
Liu

(10) **Patent No.:** **US D520,447 S**

(45) **Date of Patent:** **** May 9, 2006**

(54) **MULTI-UNIT CHARGER**

(75) Inventor: **Lan-Ting Liu**, Sunrise, FL (US)

(73) Assignee: **Motorola, Inc.**, Schaumburg, IL (US)

(**) Term: **14 Years**

(21) Appl. No.: **29/224,087**

(22) Filed: **Feb. 24, 2005**

(51) **LOC (8) Cl.** **13-02**

(52) **U.S. Cl.** **D13/108**

(58) **Field of Classification Search** D13/107-110,
D13/118-119, 184; D14/251, 253, 432, 434;
D16/219, 237, 242; 320/107-115

See application file for complete search history.

(56) **References Cited**

U.S. PATENT DOCUMENTS

3,696,283	A	*	10/1972	Ackley, III	320/110
D241,555	S	*	9/1976	Goldman et al.	D13/107
D278,704	S	*	5/1985	Claxton et al.	D13/107
D348,428	S	*	7/1994	Gallagher et al.	D13/108
D350,329	S	*	9/1994	Lindeman et al.	D13/107
D389,799	S	*	1/1998	Somers	D13/107
D397,084	S		8/1998	Siddoway		

D461,814	S	*	8/2002	Felix et al.	D14/434
D509,788	S	*	9/2005	Schlieffers et al.	D13/108
D510,562	S	*	10/2005	Lodato et al.	D13/108
2004/0080298	A1	*	4/2004	Maggert et al.	320/107

* cited by examiner

Primary Examiner—Alan P. Douglas

Assistant Examiner—Rosemary K. Tarcza

(57) **CLAIM**

The ornamental design for a multi-unit charger, as shown and described.

DESCRIPTION

FIG. 1 is a front, top and left side perspective view of a multi-unit charger showing my new design;

FIG. 2 is a top view thereof;

FIG. 3 is a bottom view thereof;

FIG. 4 is back view thereof;

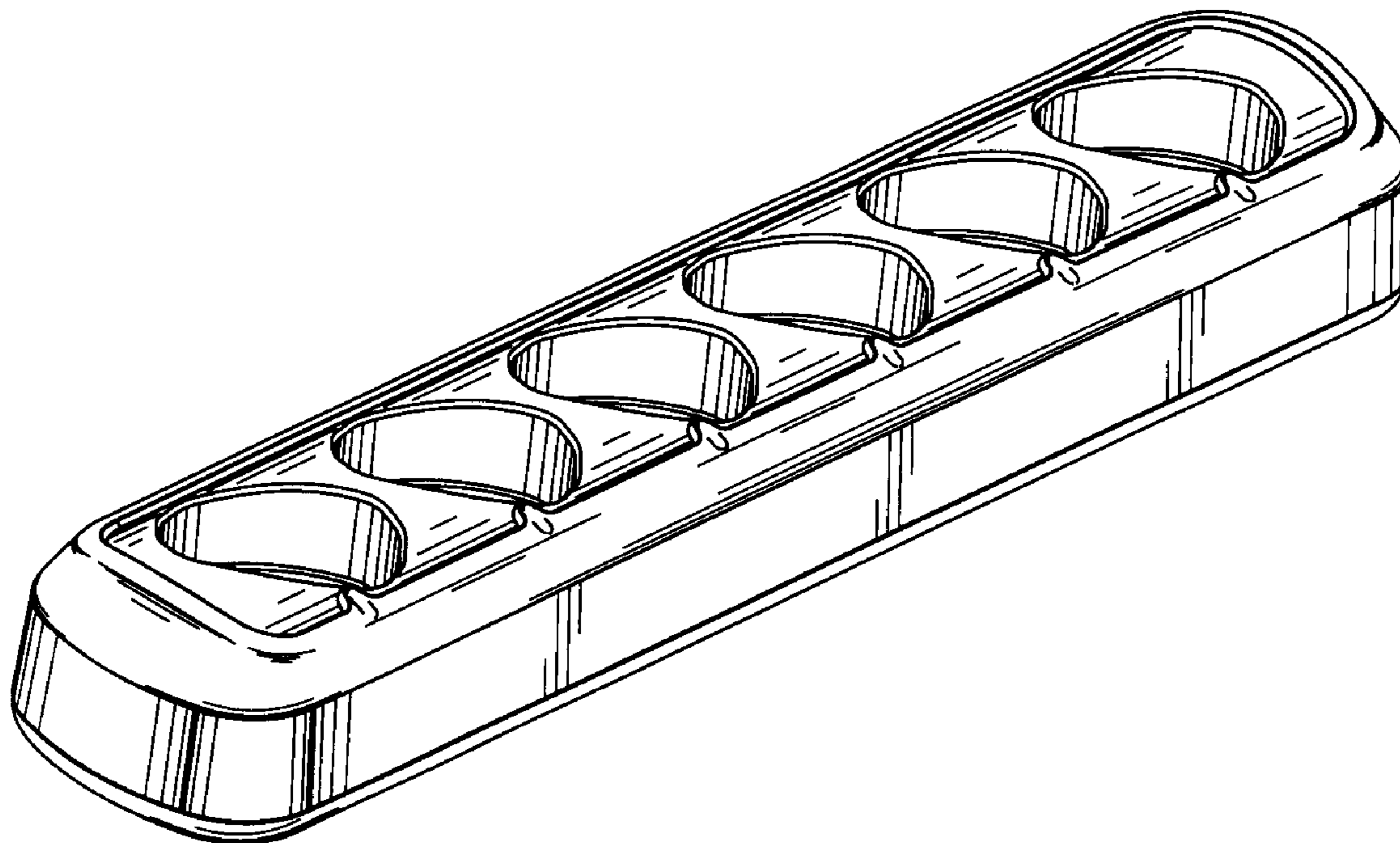
FIG. 5 is a front view thereof;

FIG. 6 is a left view thereof; and,

FIG. 7 is a right view thereof.

The broken lines shown in FIGS. 1-7 are included for the purpose of illustrating environmental elements only and form no part of the claimed design.

1 Claim, 4 Drawing Sheets



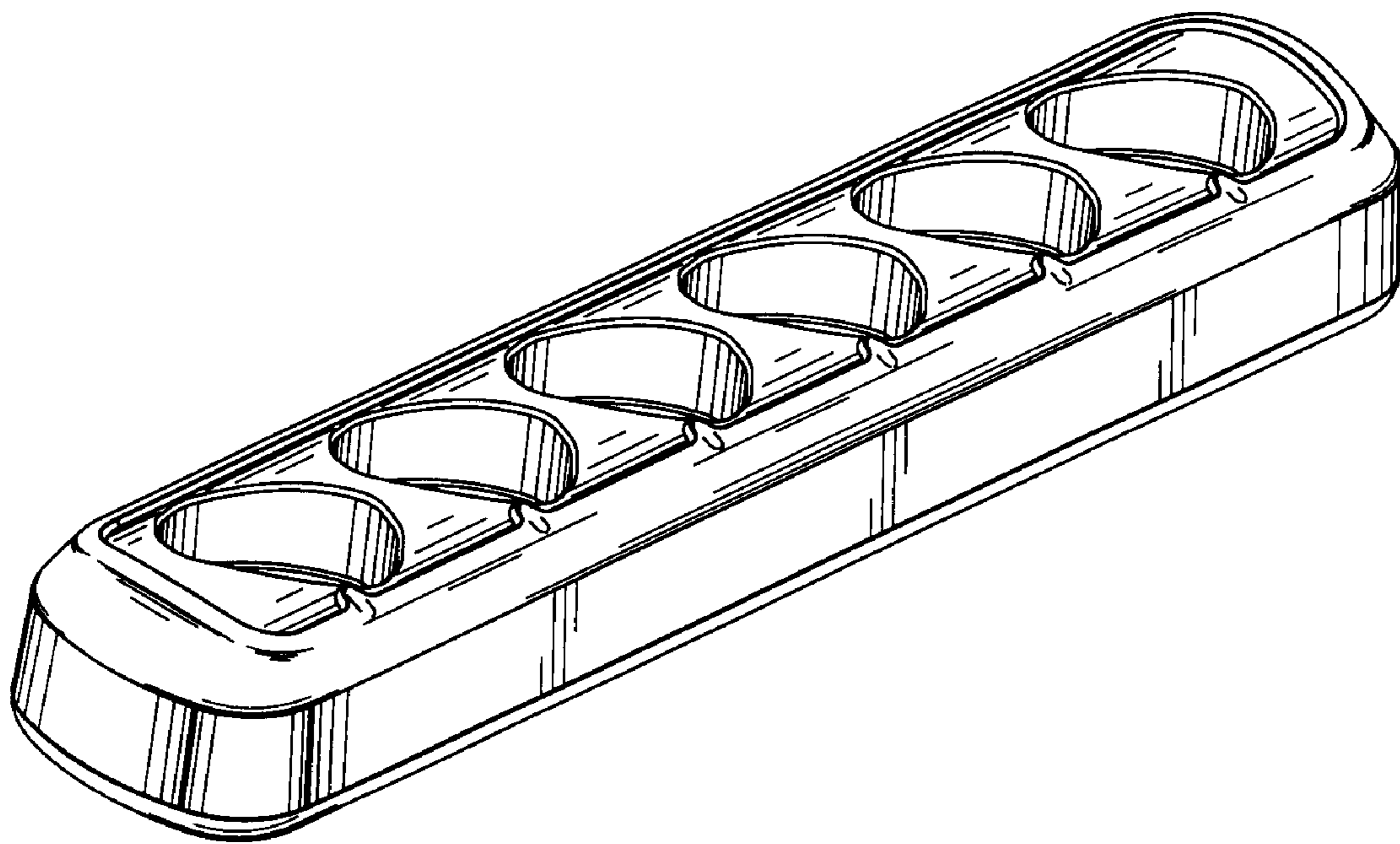


FIG. 1

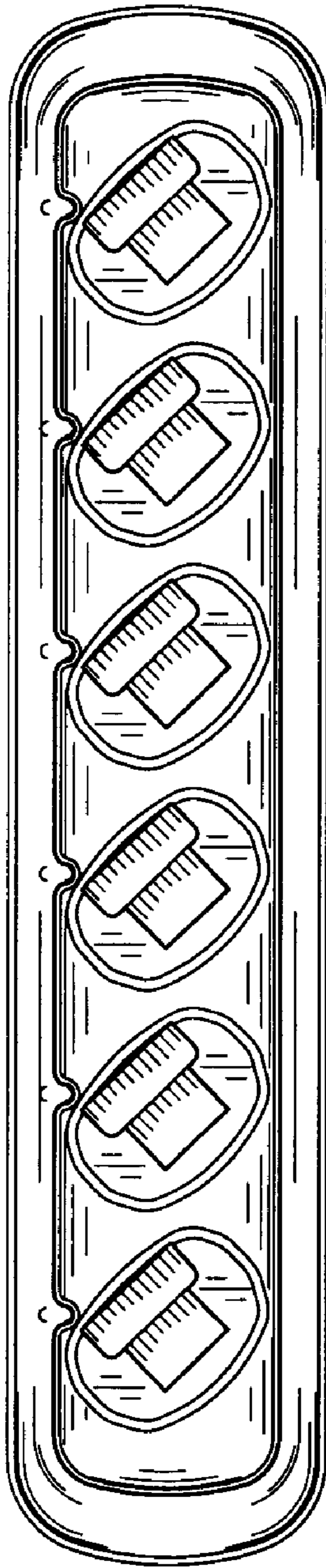


FIG. 2

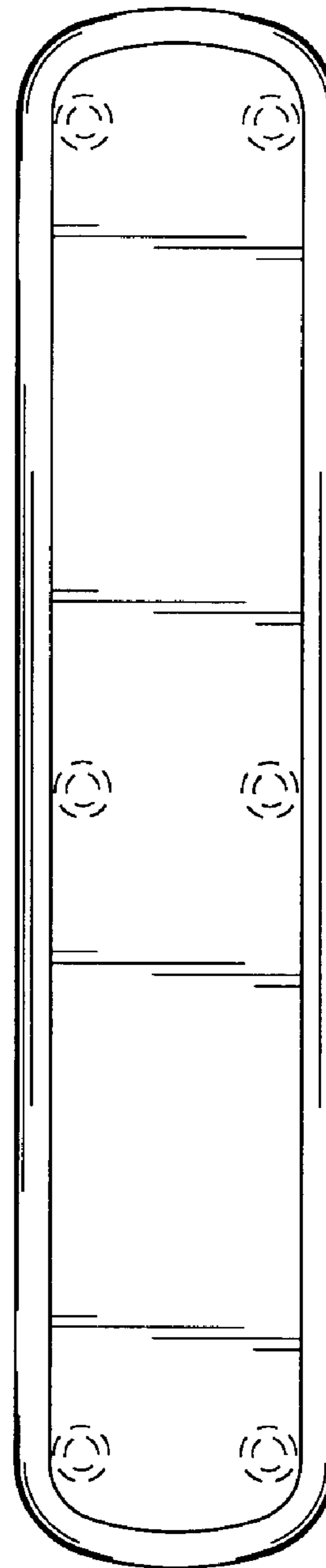


FIG. 3

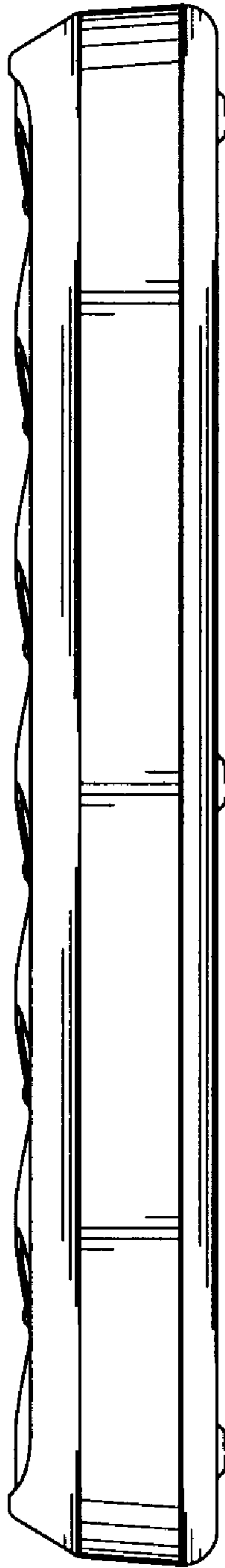


FIG. 4

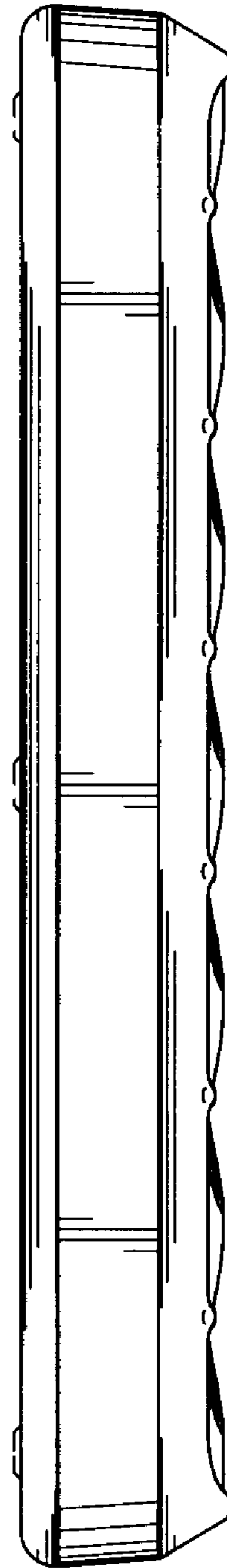


FIG. 5

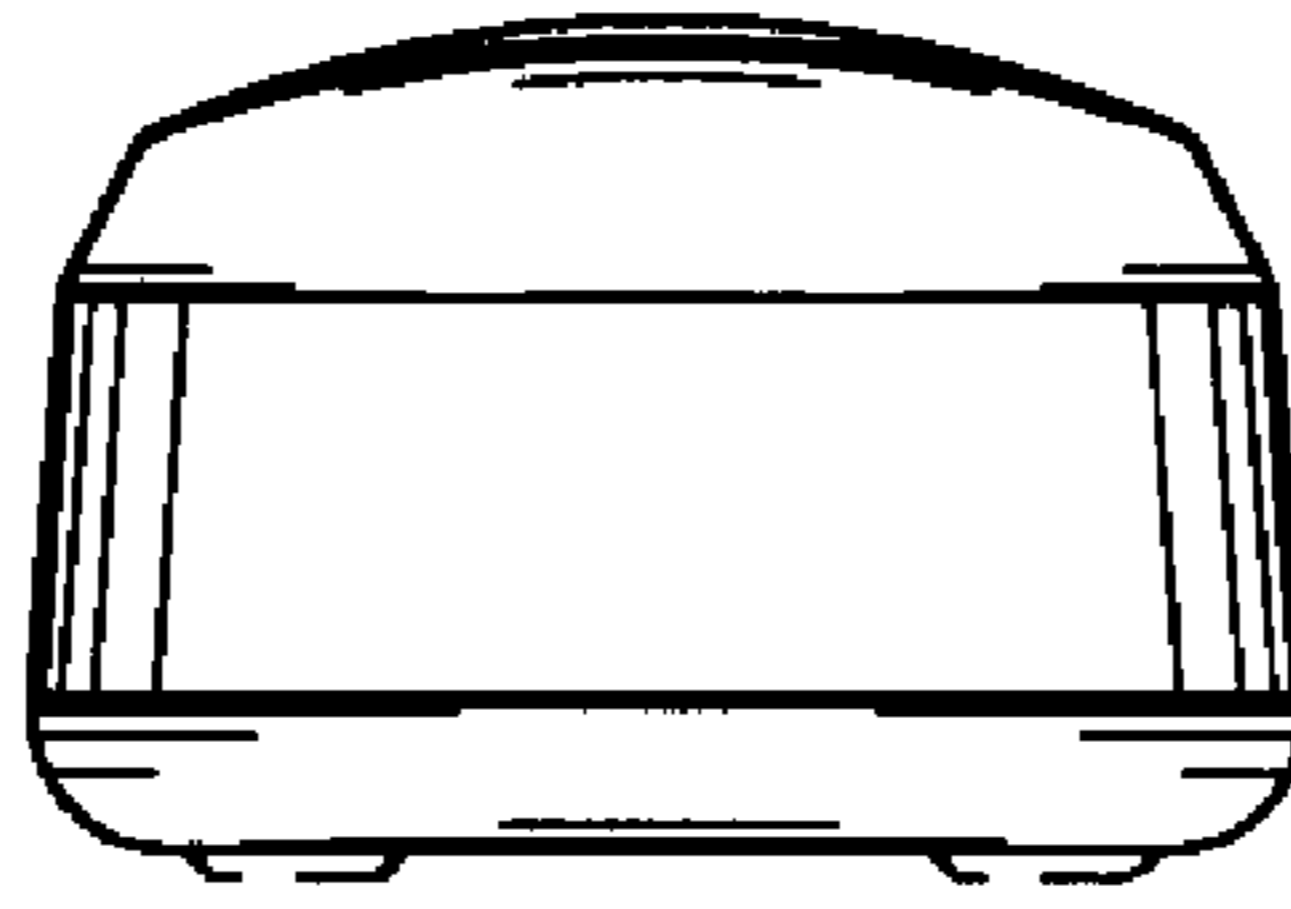


FIG. 6

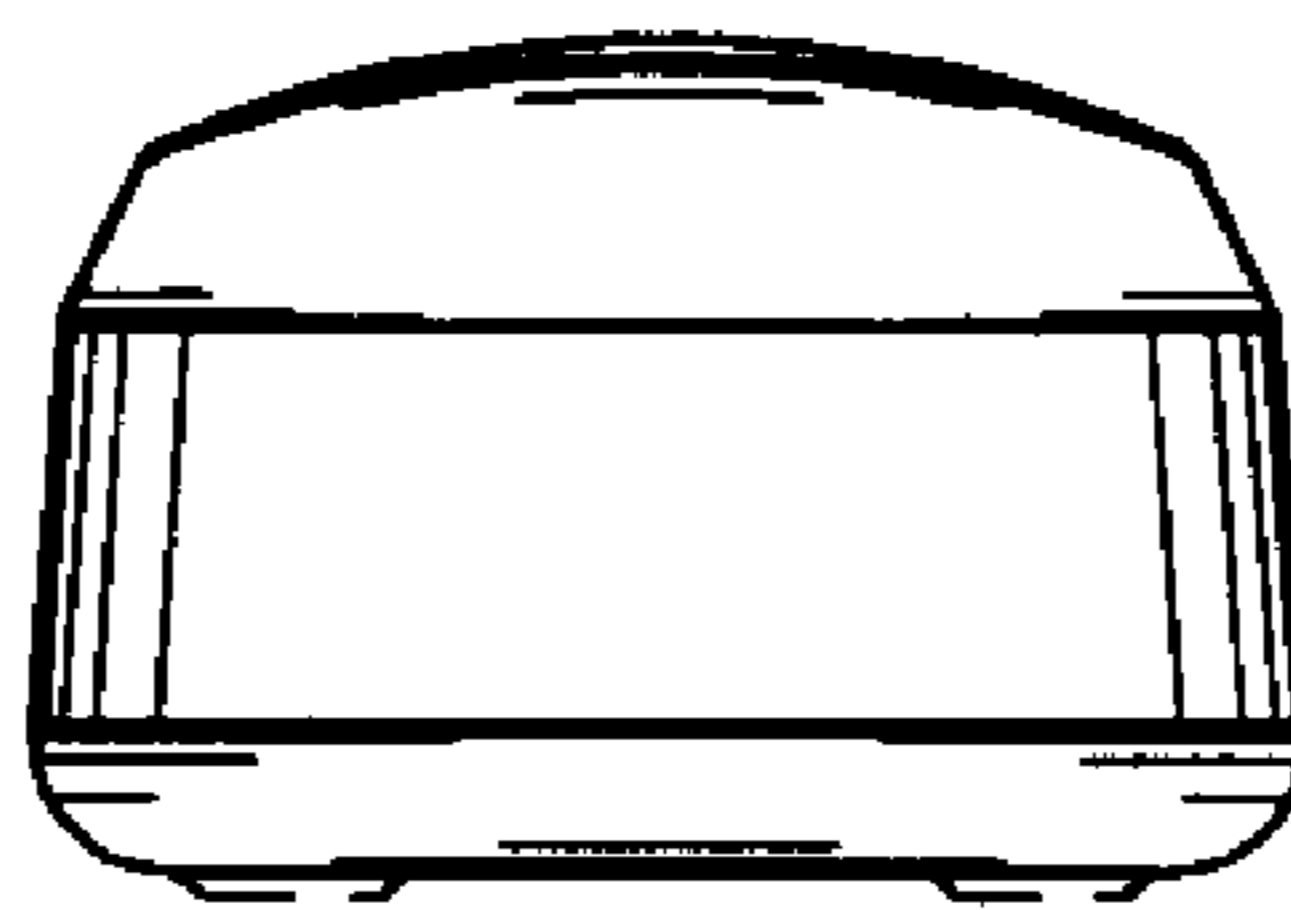


FIG. 7