



US00D520445S

(12) **United States Design Patent** (10) **Patent No.:** **US D520,445 S**  
**Van Wambeke et al.** (45) **Date of Patent:** **\*\* May 9, 2006**

(54) **RADIO CHARGER**

FOREIGN PATENT DOCUMENTS

(75) Inventors: **Weston J. Van Wambeke**,  
Cockeysville, MD (US); **Damon J.**  
**Nawrozki**, Parkville, MD (US)

DE	M 90 04 322	6/1991
DE	M 90 06 761	7/1991
DE	M 90 06 987	7/1991
DE	M 96 02 985	12/1996
DE	M 96 08 478	2/1997
DE	M 96 07 104	4/1997
DE	499 02 780	8/1999
DE	499 03 266	11/1999
DE	499 10 040	2/2000
WO	DM 030 795	9/1994
WO	DM 049 575	10/1999
WO	DM 056 705	6/2001
WO	DM 059 981	4/2002
WO	DM 060 869	7/2002
WO	DM 063 171	2/2003

(73) Assignee: **Black & Decker Inc.**, Newark, DE  
(US)

(\*\*) Term: **14 Years**

(21) Appl. No.: **29/189,302**

(22) Filed: **Sep. 2, 2003**  
(Under 37 CFR 1.47)

(51) **LOC (8) Cl.** ..... **13-02**

(52) **U.S. Cl.** ..... **D13/108**

(58) **Field of Classification Search** ..... D13/107-110,  
D13/118-119, 184; D14/137, 155, 156, 168,  
D14/169, 172, 188, 251, 253, 432, 434; D16/219,  
D16/237, 242; 320/107-115; 455/344, 351  
See application file for complete search history.

\* cited by examiner

*Primary Examiner*—Alan P. Douglas  
*Assistant Examiner*—Rosemary K. Tarcza  
(74) *Attorney, Agent, or Firm*—Harness, Dickey & Pierce,  
P.L.C.

(56) **References Cited**

U.S. PATENT DOCUMENTS

5,159,714	A	10/1992	Cosentino et al.	
5,810,168	A	9/1998	Eggering	
D418,836	S	1/2000	Matt et al.	
6,215,276	B1	4/2001	Smith	
6,427,070	B1	7/2002	Smith	
6,496,688	B1	12/2002	Smith	
D475,966	S	6/2003	Chunn et al.	
D476,152	S	* 6/2003	Lee	D3/274
D476,621	S	7/2003	Chunn et al.	
D489,681	S	* 5/2004	Chen	D13/108
2003/0117107	A1	* 6/2003	Zick et al.	320/112
2005/0181756	A1	* 8/2005	Lin	455/344

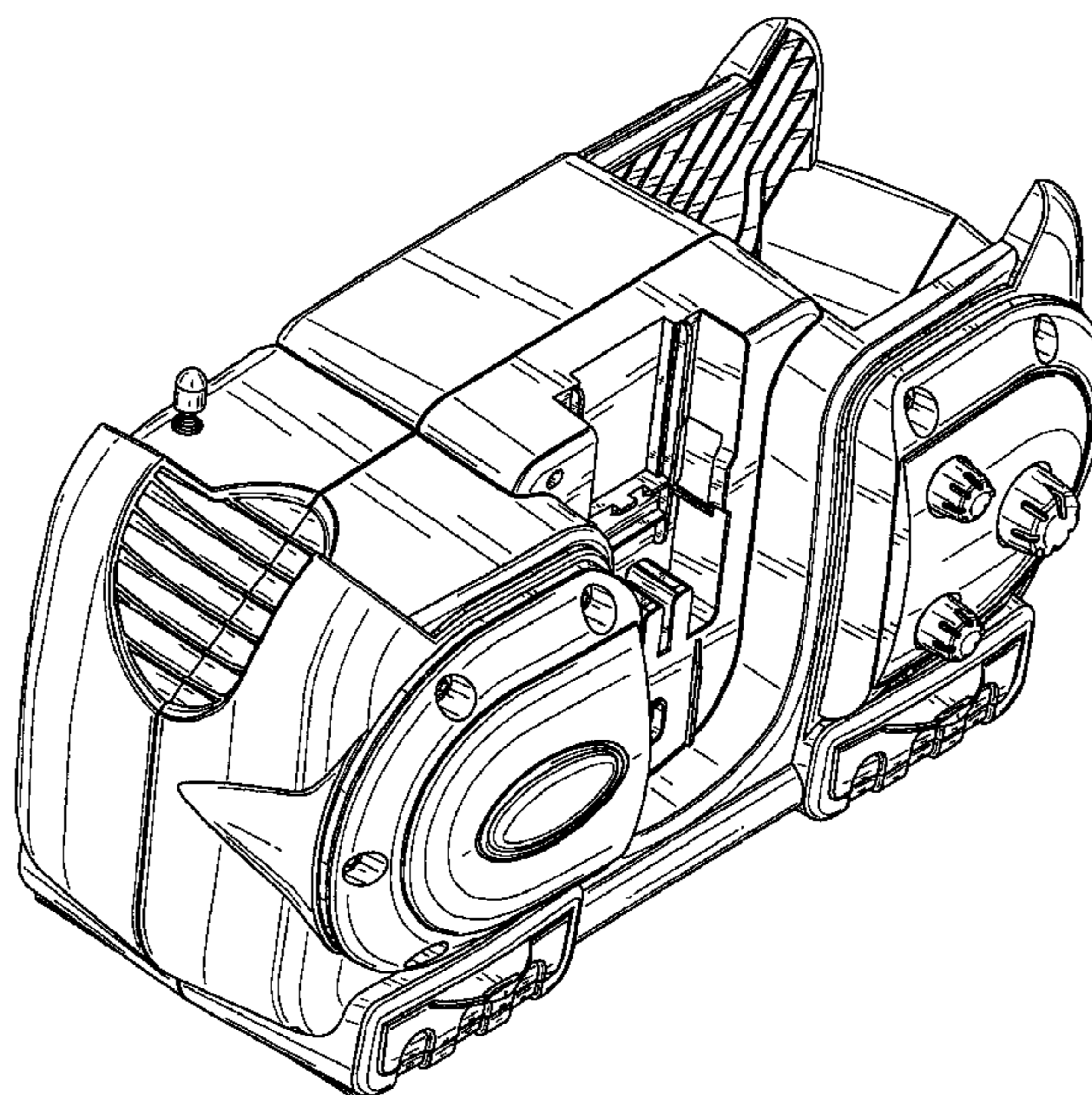
(57) **CLAIM**

The ornamental design for a radio charger, as shown and described.

**DESCRIPTION**

FIG. 1 is a right side perspective view of a radio charger showing my new design.  
FIG. 2 is a front elevational view thereof.  
FIG. 3 is a rear elevational view thereof.  
FIG. 4 is a right side elevational view thereof.  
FIG. 5 is a left side elevational view thereof.  
FIG. 6 is a top plan view thereof; and,  
FIG. 7 is a bottom plan view thereof.

**1 Claim, 7 Drawing Sheets**



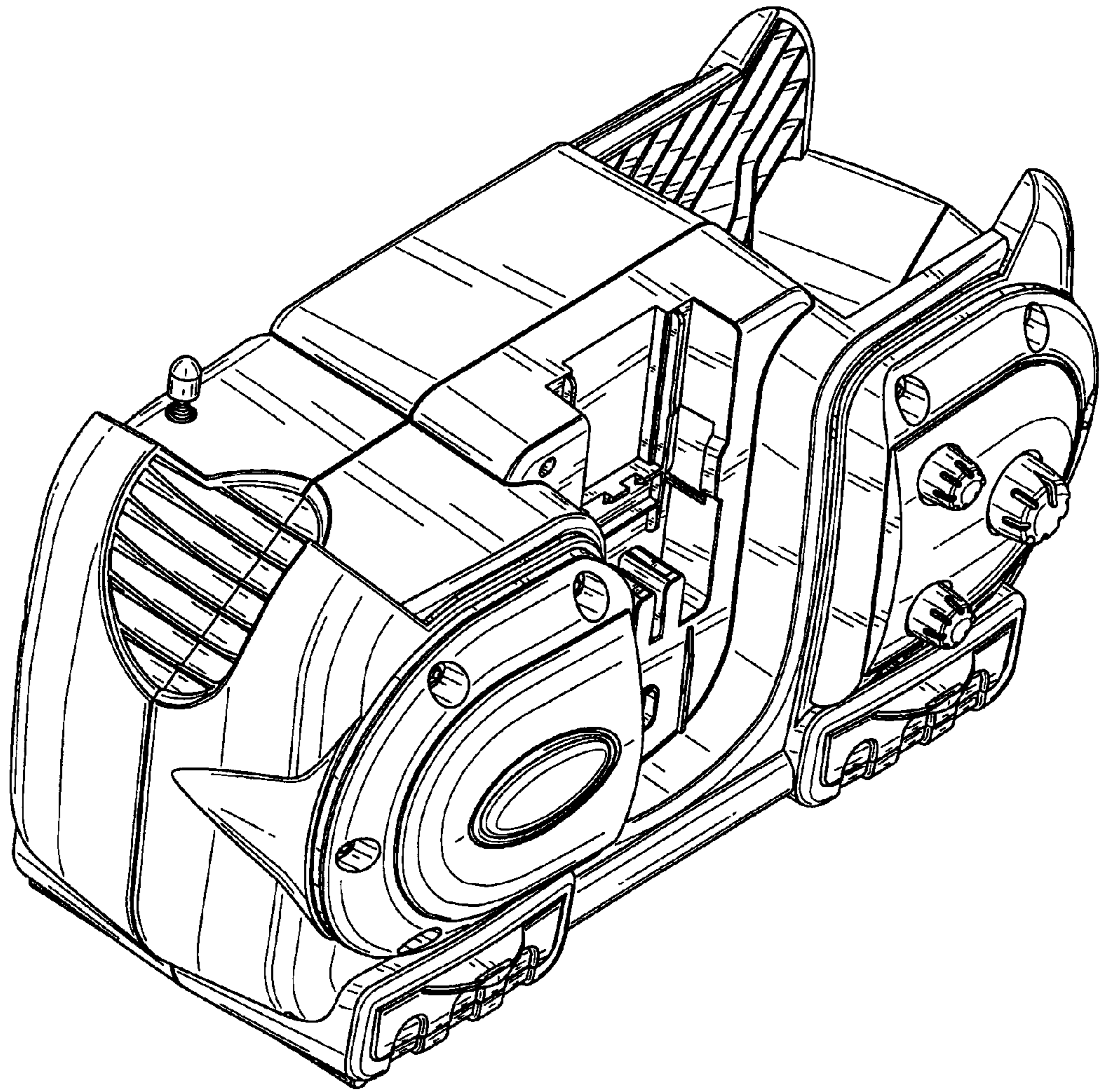


FIG. 1

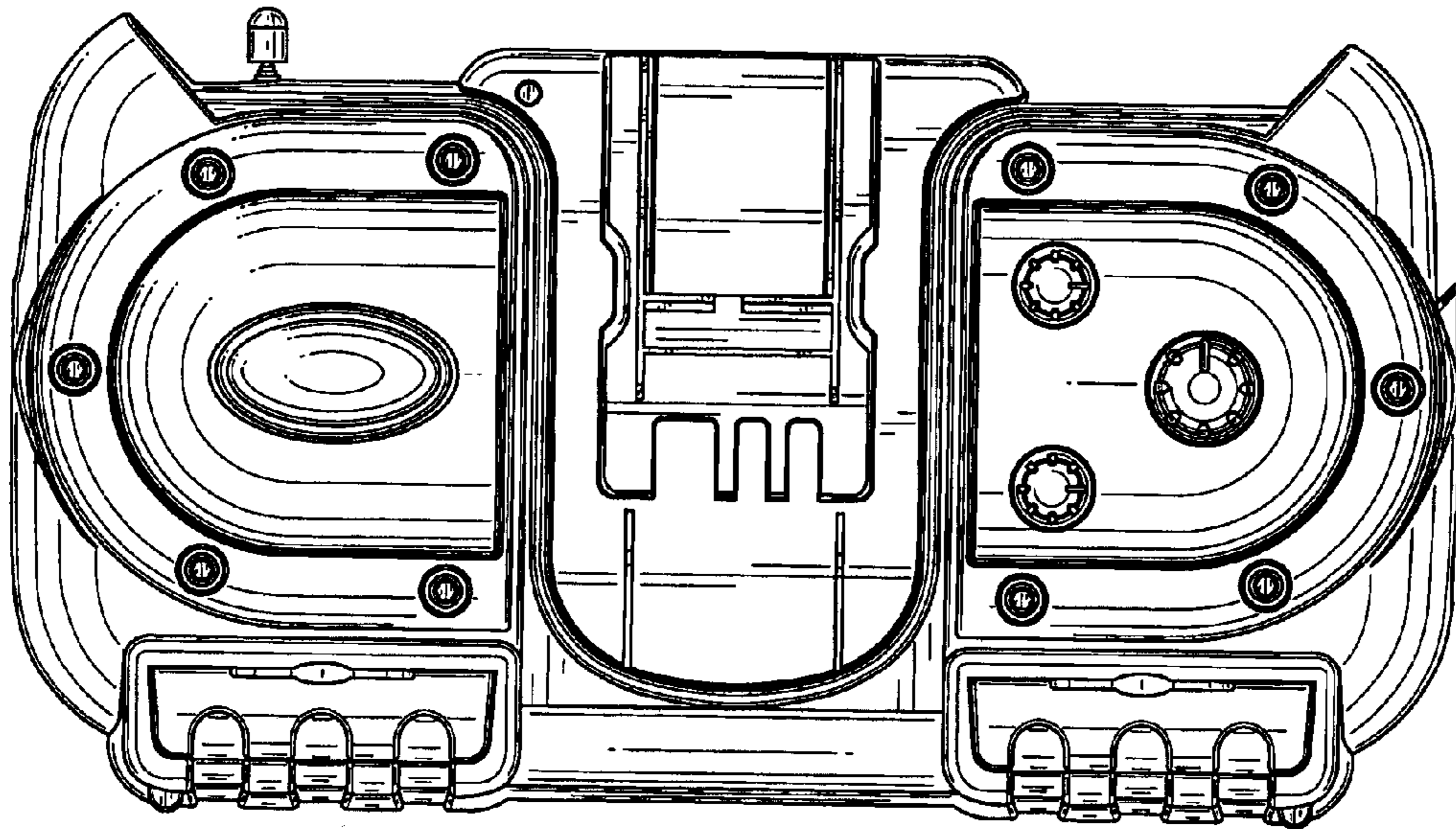


FIG. 2

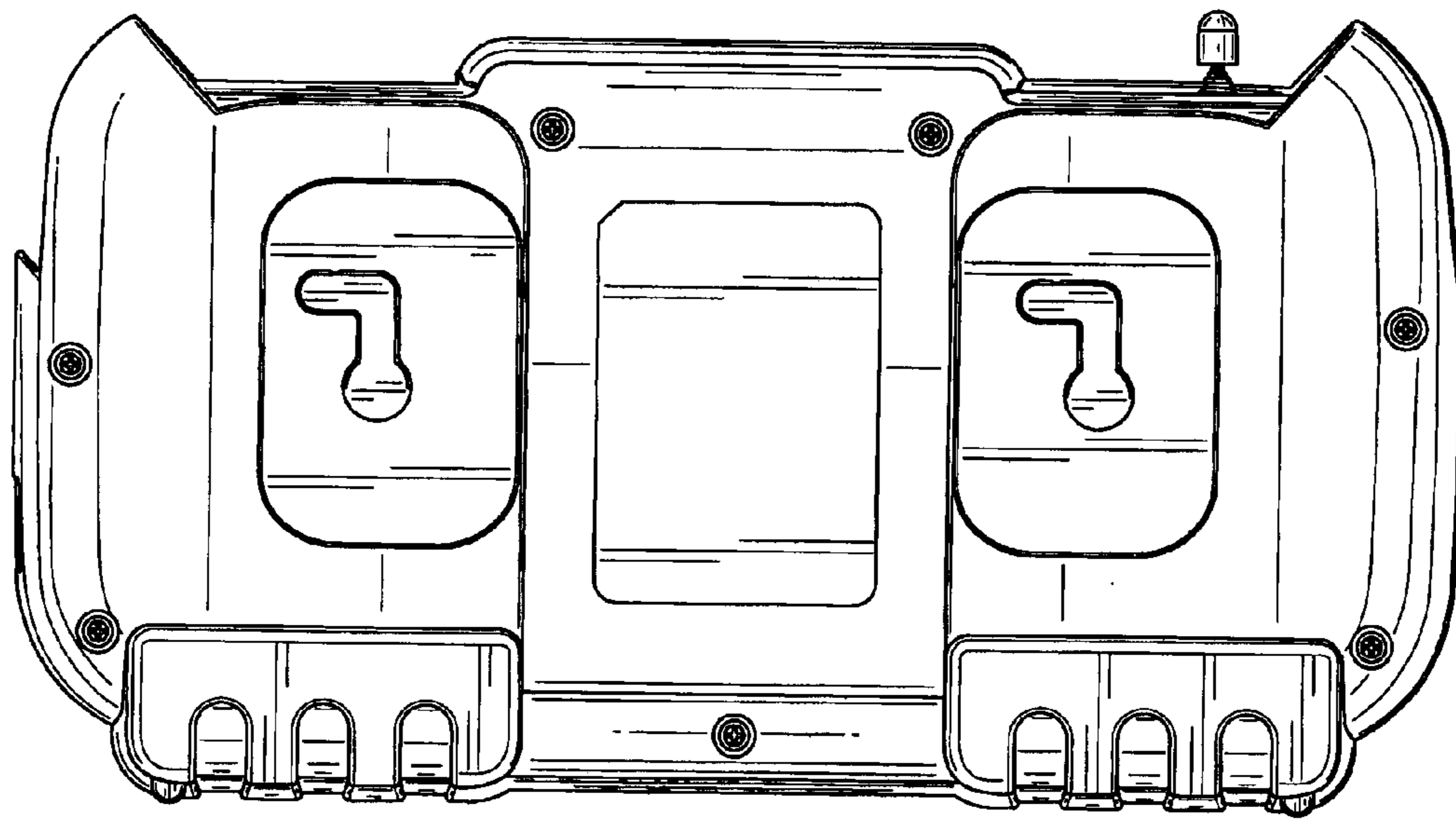


FIG. 3

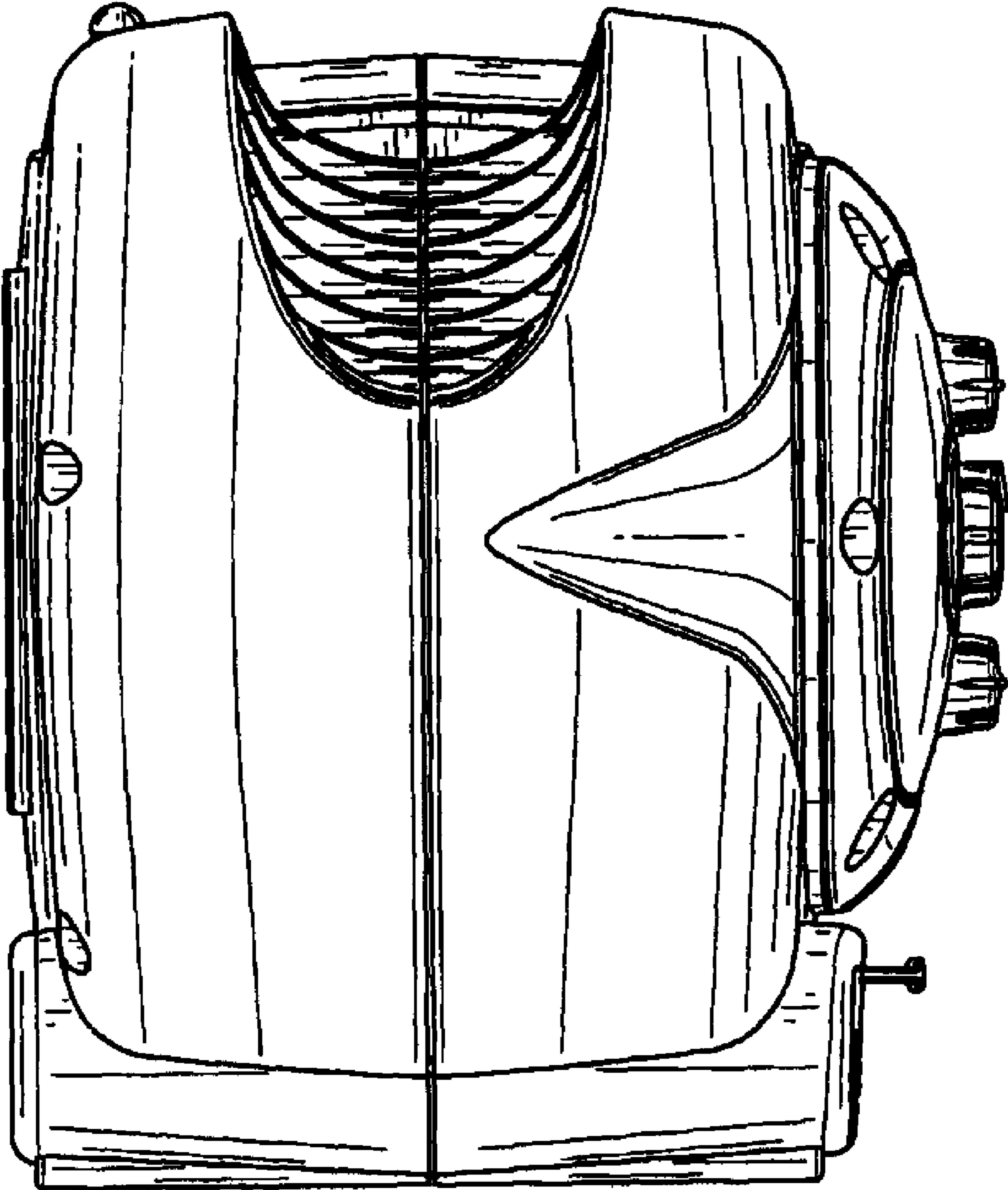


FIG. 4

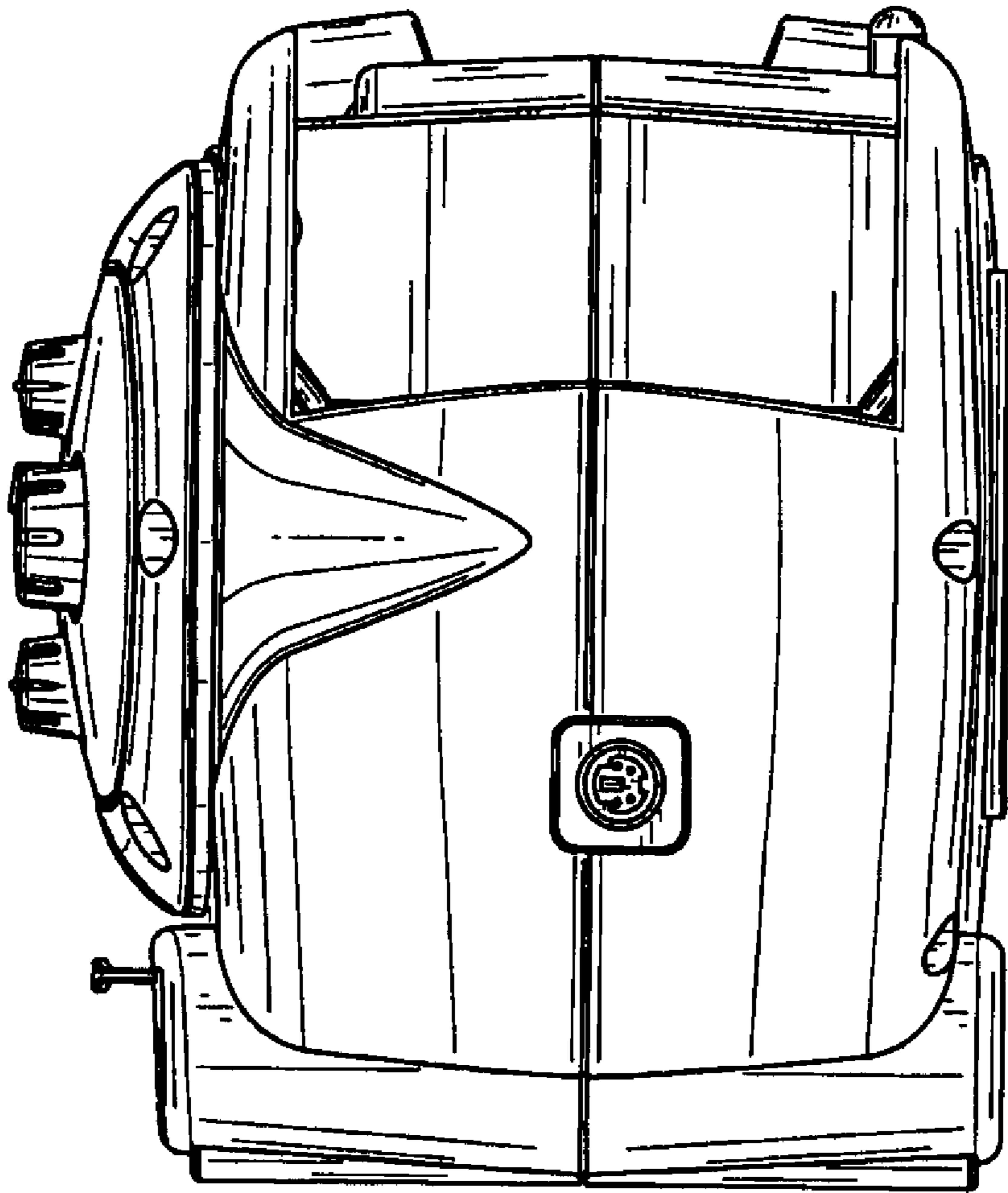


FIG. 5

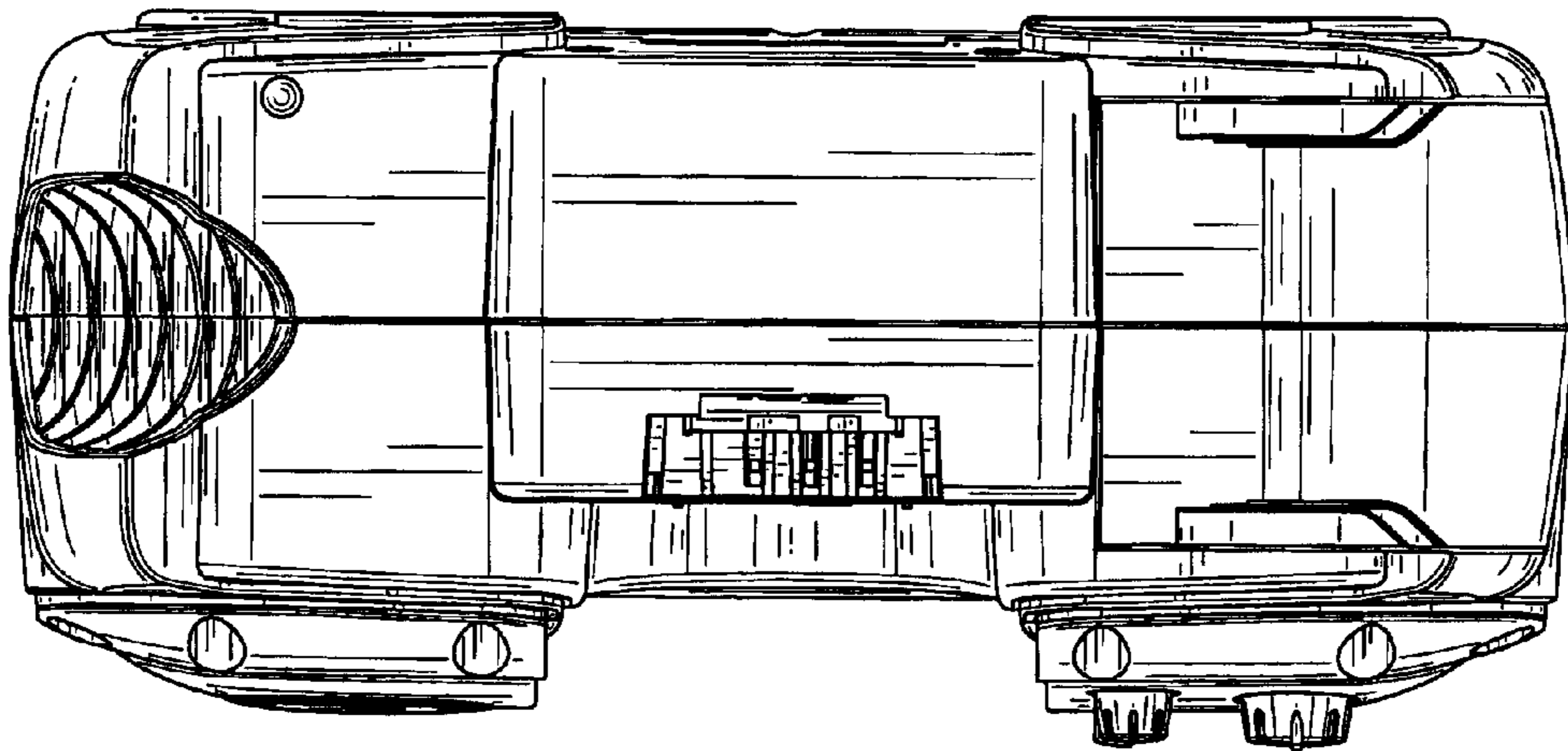


FIG. 6

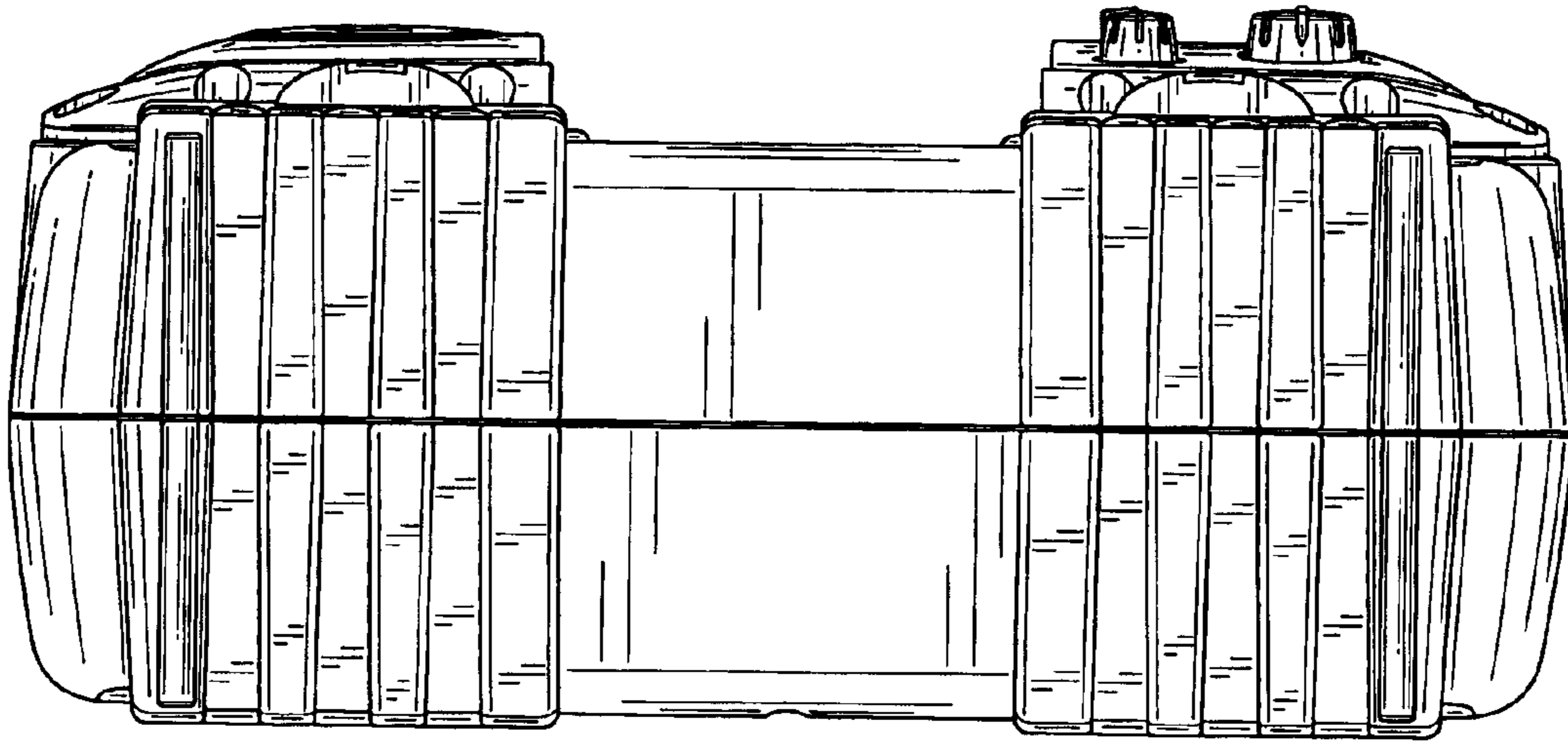


FIG. 7