



US00D520444S

(12) **United States Design Patent**
Liu

(10) **Patent No.:** **US D520,444 S**

(45) **Date of Patent:** **** May 9, 2006**

- (54) **BATTERY CARTRIDGE**
 - (75) Inventor: **Li H. Liu**, South Williamsport, PA (US)
 - (73) Assignee: **Shop Vac Corporation**, Williamsport, PA (US)
 - (**) Term: **14 Years**
 - (21) Appl. No.: **29/208,815**
 - (22) Filed: **Jul. 6, 2004**
 - (51) **LOC (8) Cl.** **13-02**
 - (52) **U.S. Cl.** **D13/103**
 - (58) **Field of Classification Search** D13/102-106,
D13/110, 118-119, 184; 429/96-100, 163,
429/176
- See application file for complete search history.

- 5,607,794 A * 3/1997 Koenig 429/100
- 5,611,107 A 3/1997 Tomasiak et al.
- 5,765,258 A 6/1998 Melito et al.
- D405,413 S * 2/1999 Segers D13/103
- D406,258 S * 3/1999 Segers D13/103
- 6,006,400 A 12/1999 Presenza
- D424,013 S * 5/2000 Curtis D13/103
- 6,055,700 A 5/2000 Holsten et al.
- 6,065,182 A 5/2000 Wright et al.
- 6,066,211 A 5/2000 Sandell
- D432,493 S * 10/2000 Killebrew et al. D13/103
- D444,125 S * 6/2001 Shy D13/110
- D484,852 S * 1/2004 James et al. D13/107
- D486,446 S * 2/2004 Hriscu et al. D13/110

* cited by examiner

Primary Examiner—Alan P. Douglas
Assistant Examiner—Rosemary Tarcza
 (74) *Attorney, Agent, or Firm*—Marshall, Gerstein & Borun LLP

(56) **References Cited**
 U.S. PATENT DOCUMENTS

- 1,487,424 A * 3/1924 Ahlgren 220/771
- 1,539,119 A * 5/1925 Johnson 280/47.35
- 1,546,648 A * 7/1925 Glidden et al. 429/176
- 2,232,415 A * 2/1941 Talbot et al. 429/89
- 3,871,924 A * 3/1975 DeMattie et al. 429/176
- 4,325,163 A 4/1982 Mattson et al.
- 4,591,777 A 5/1986 McCarty et al.
- 4,734,017 A 3/1988 Levin
- 4,797,072 A 1/1989 Berfield et al.
- 4,836,753 A 6/1989 Berfield et al.
- 4,884,314 A 12/1989 Miner et al.
- 4,945,604 A 8/1990 Miner et al.
- 4,961,246 A 10/1990 Hauge et al.
- 5,014,388 A 5/1991 Schiazza et al.
- 5,289,605 A 3/1994 Armbruster
- 5,294,063 A 3/1994 Bote
- 5,606,769 A 3/1997 Tomasiak et al.

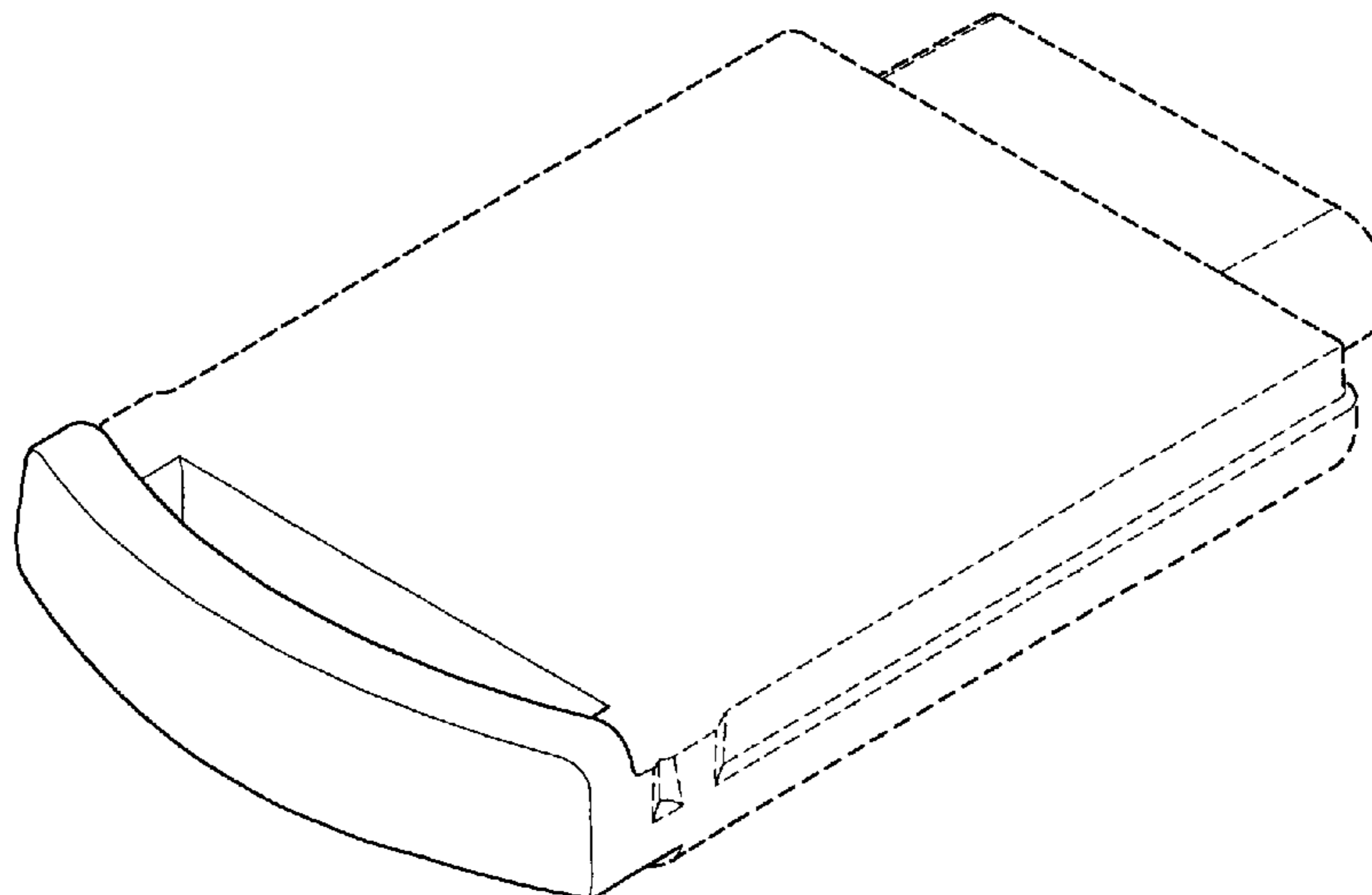
(57) **CLAIM**

The ornamental design for a “battery cartridge,” as shown and described.

DESCRIPTION

FIG. 1 is a perspective view taken from the front, right side, and top showing my new design;
 FIG. 2 is a left side elevational view thereof;
 FIG. 3 is a right side elevational view thereof;
 FIG. 4 is a top plan view thereof;
 FIG. 5 is a bottom plan view thereof;
 FIG. 6 is a rear elevational view thereof; and,
 FIG. 7 is a front elevational view thereof.
 The broken line showing is for illustrative purposes only and forms no part of the claimed design.

1 Claim, 5 Drawing Sheets



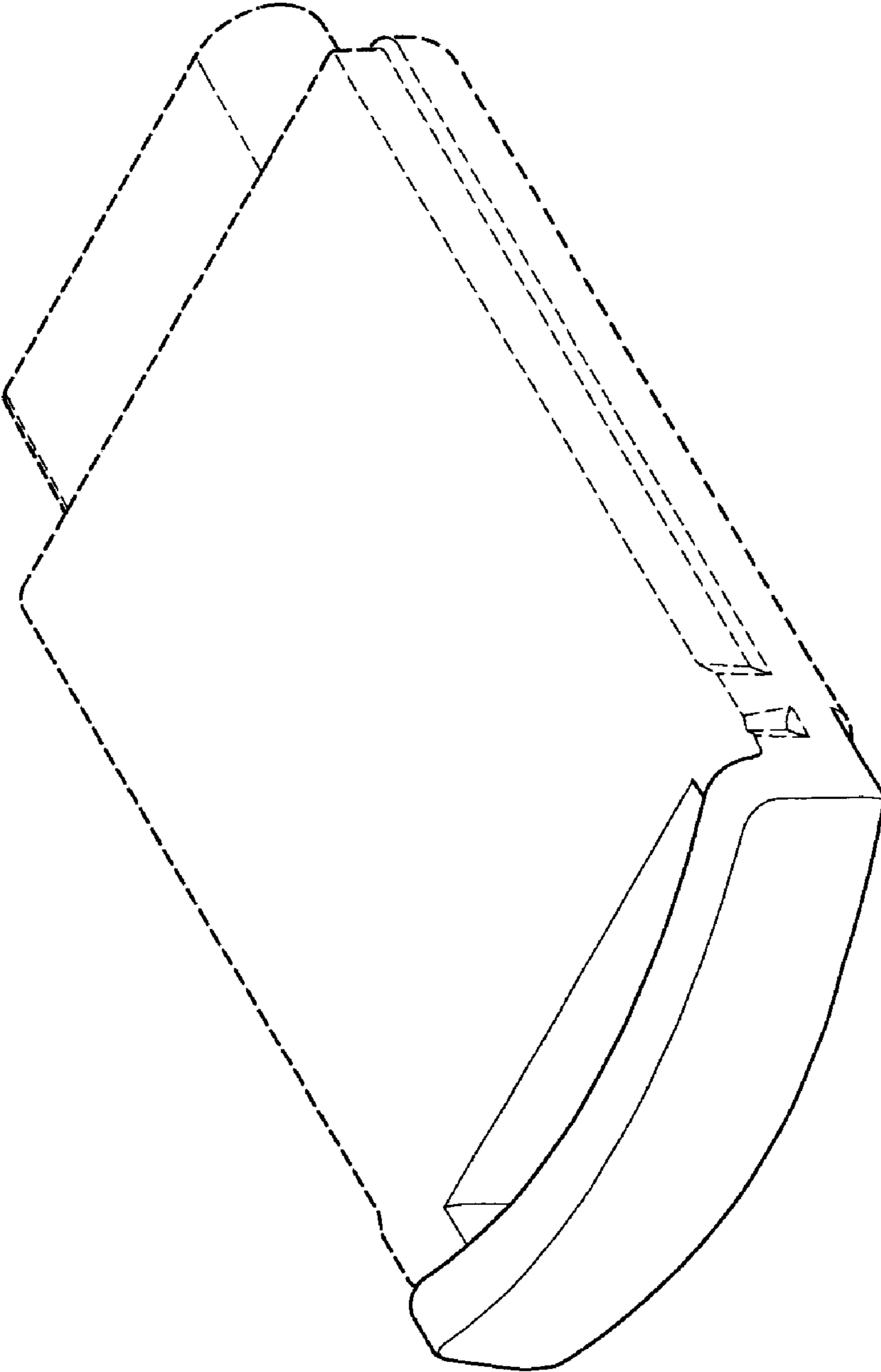


FIG. 1

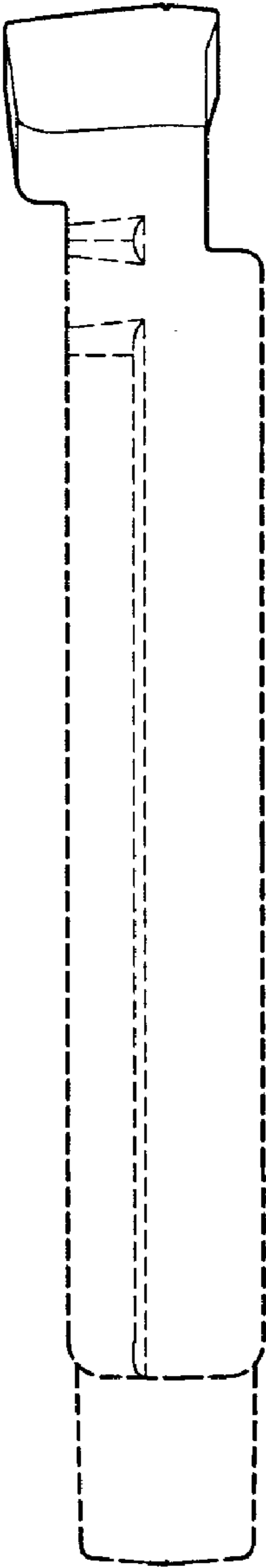


FIG. 2

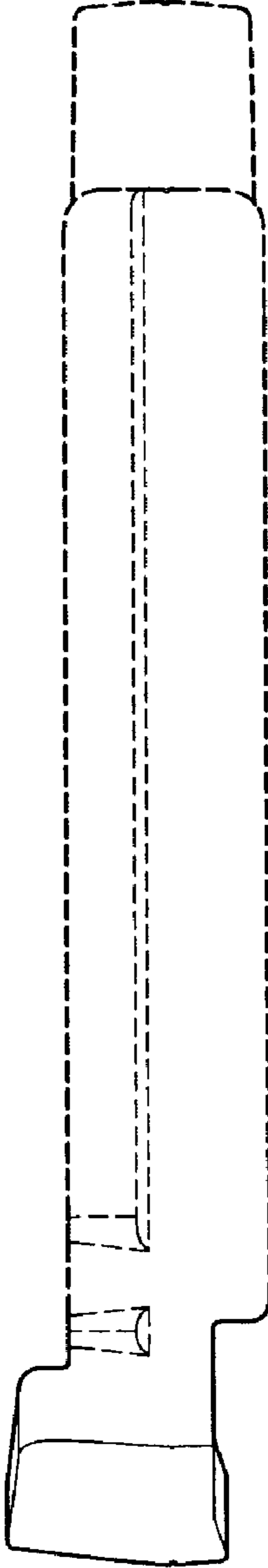


FIG. 3

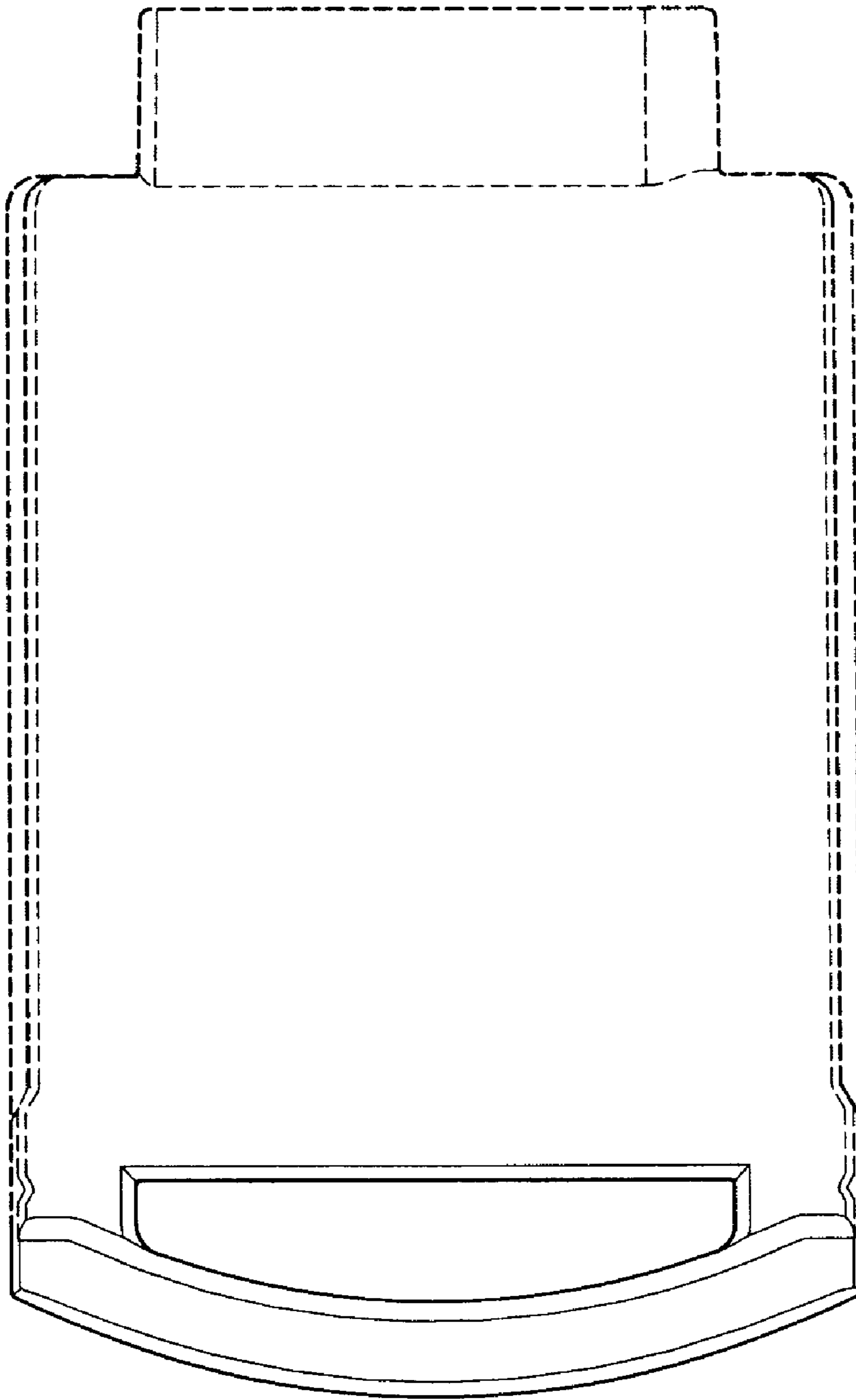


FIG. 4

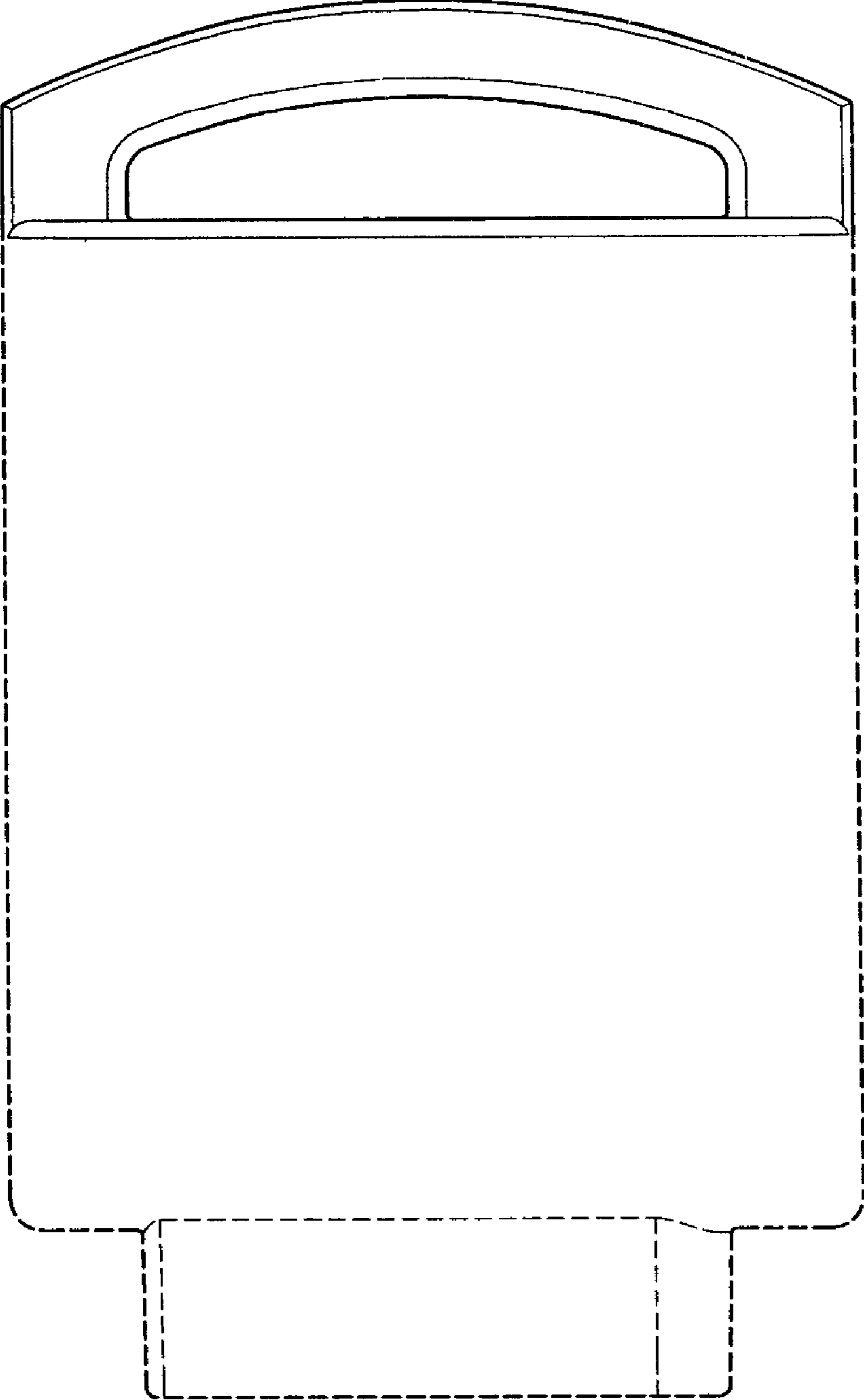


FIG. 5

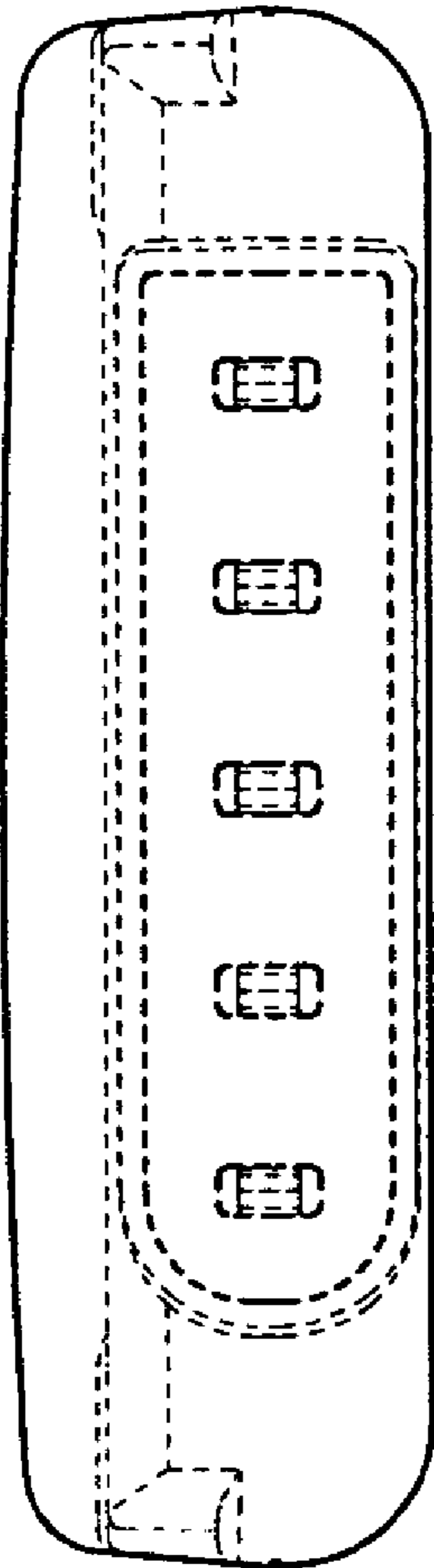


FIG. 6

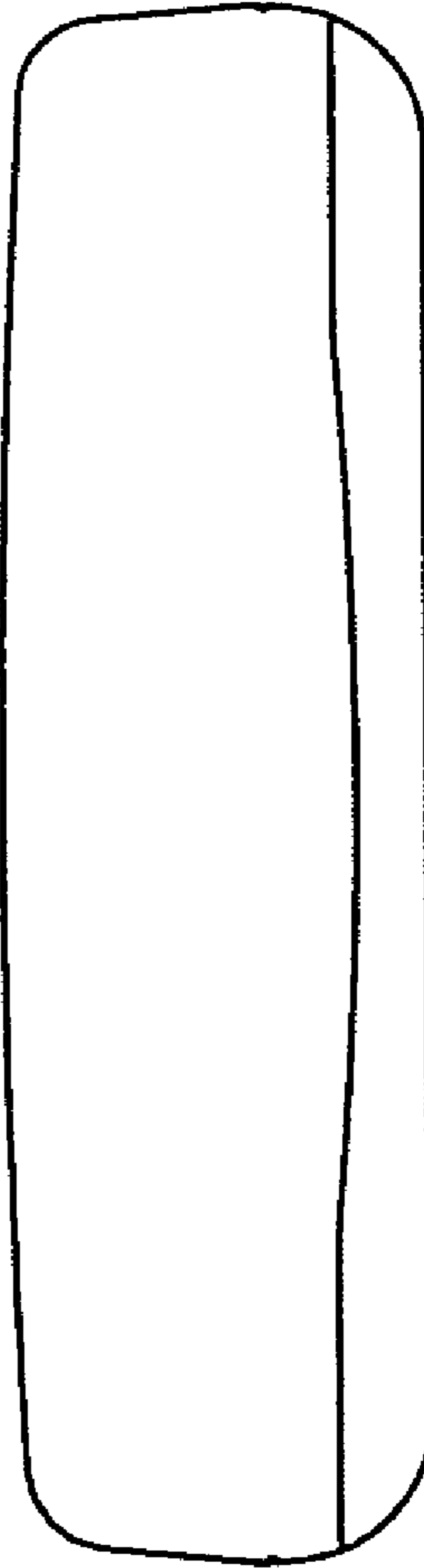


FIG. 7