



US00D520441S

(12) **United States Design Patent** (10) **Patent No.:** **US D520,441 S**  
**Güvenç et al.** (45) **Date of Patent:** **\*\* May 9, 2006**

(54) **WATER TAXI**

(75) Inventors: **Kerem Güvenç**, Istanbul (TR); **Murat Armağan**, Istanbul (TR)

(73) Assignee: **Teknoloji Dizayn Stduyo Produksiyon ve Reklamcilik A.S.**, Istanbul (TR)

(\*\*) Term: **14 Years**

(21) Appl. No.: **29/218,600**

(22) Filed: **Dec. 6, 2004**

(30) **Foreign Application Priority Data**

Oct. 11, 2004 (TR) ..... 2004 03678

(51) **LOC (8) Cl.** ..... **12-06**

(52) **U.S. Cl.** ..... **D12/300**

(58) **Field of Classification Search** ..... D12/300,  
D12/304, 310-312, 315, 317-318; 114/56,  
114/56.1, 61, 63, 144, 249, 259, 283, 343,  
114/347, 355, 357

See application file for complete search history.

(56) **References Cited**

U.S. PATENT DOCUMENTS

5,715,770 A	*	2/1998	Heyworth	.....	114/249
6,026,759 A	*	2/2000	Hazelett et al.	.....	114/144 E
D429,682 S	*	8/2000	Garland et al.	.....	D12/315
D475,338 S	*	6/2003	Zurn et al.	.....	D12/300
D506,430 S	*	6/2005	de Rover	.....	D12/300

\* cited by examiner

*Primary Examiner*—Holly Baynham

*Assistant Examiner*—Cynthia M. Chin

(74) *Attorney, Agent, or Firm*—Egbert Law Offices

(57) **CLAIM**

We claim the ornamental design for a water taxi, as shown and described.

**DESCRIPTION**

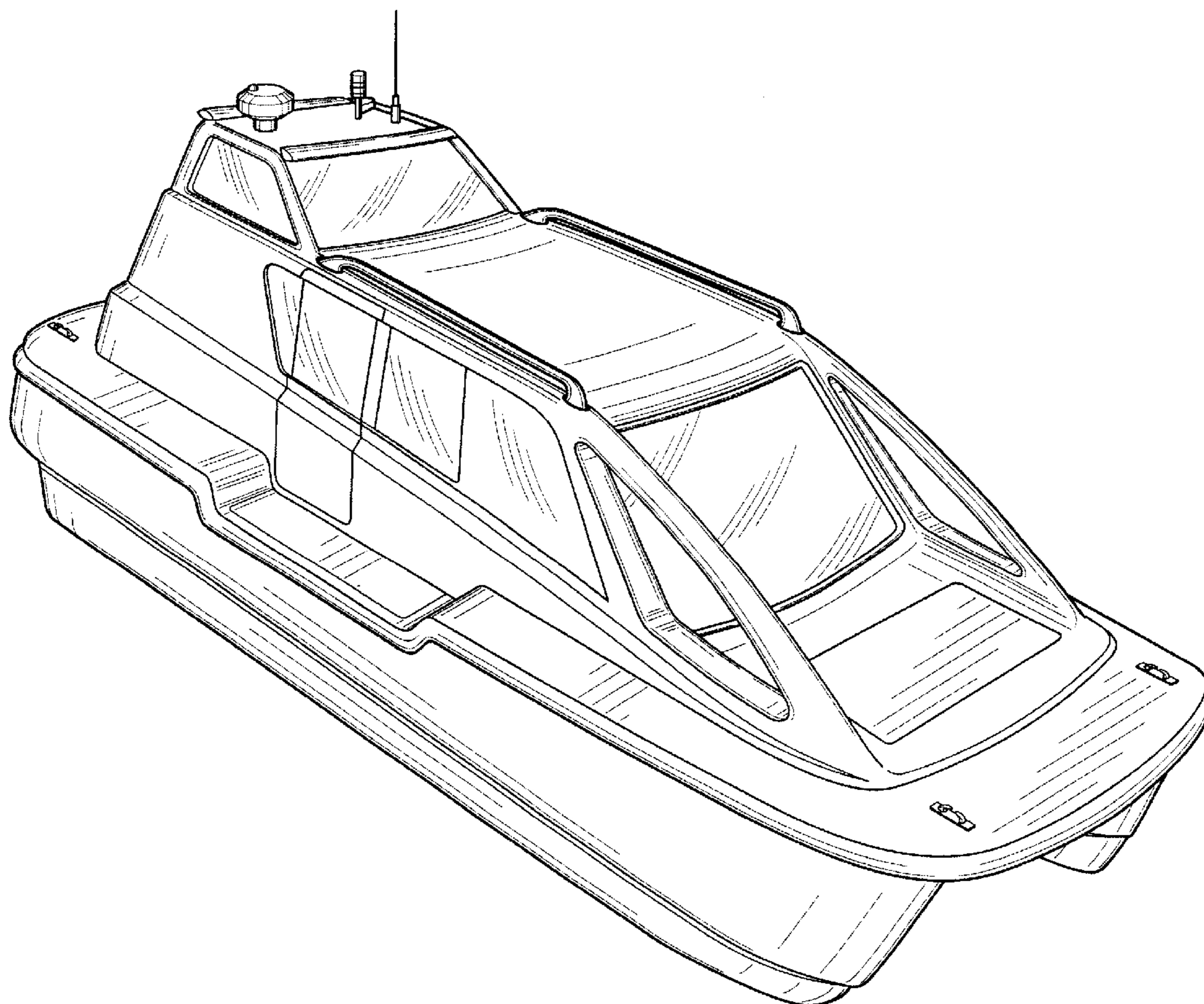
FIG. 1 is an upper perspective view of the water taxi showing our design.

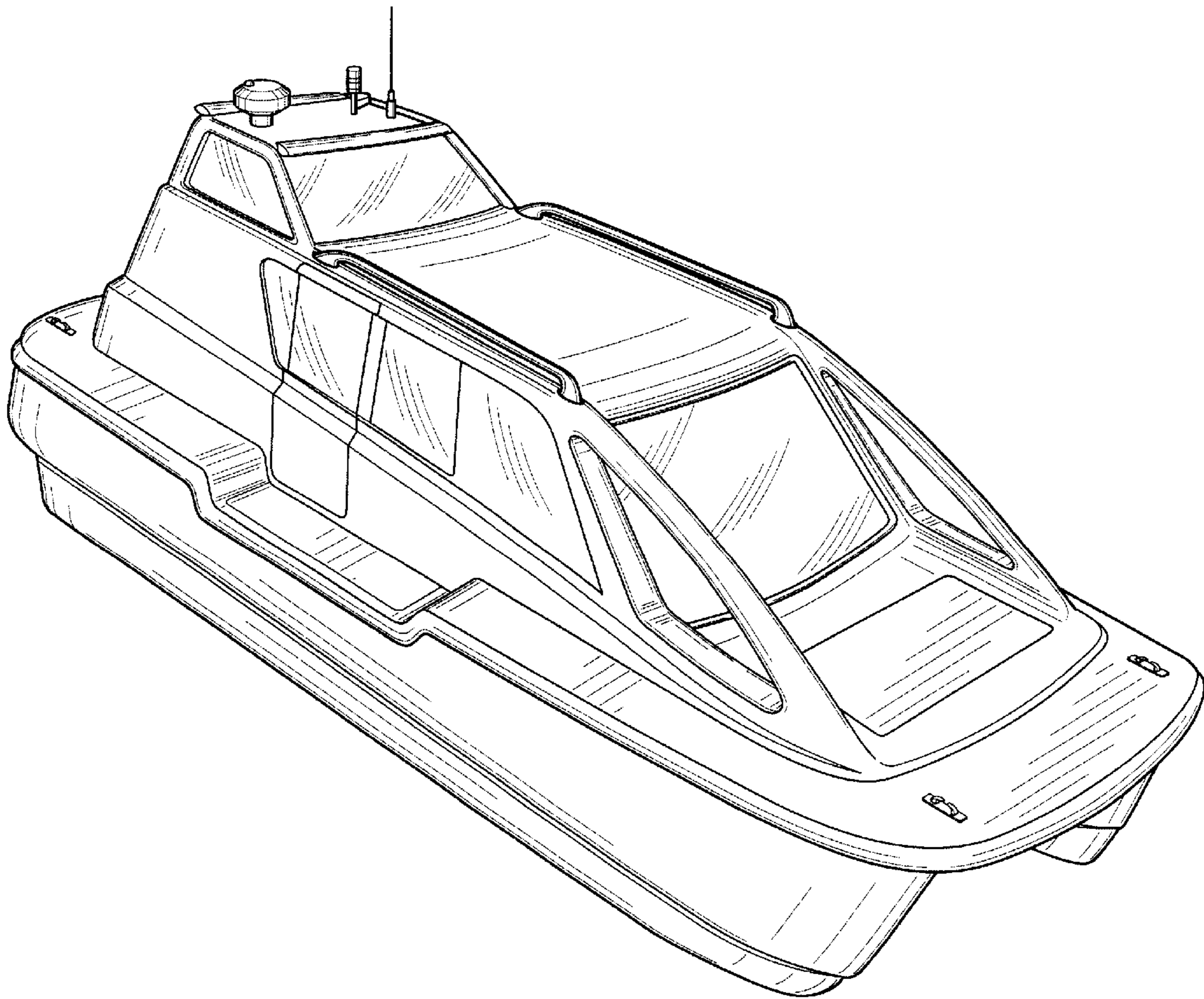
FIG. 2 is a front view thereof, shown in an enlarged scale of FIG. 1;

FIG. 3 is a side elevation view thereof; and,

FIG. 4 is a top plan view thereof.

**1 Claim, 3 Drawing Sheets**





*FIG. 1*

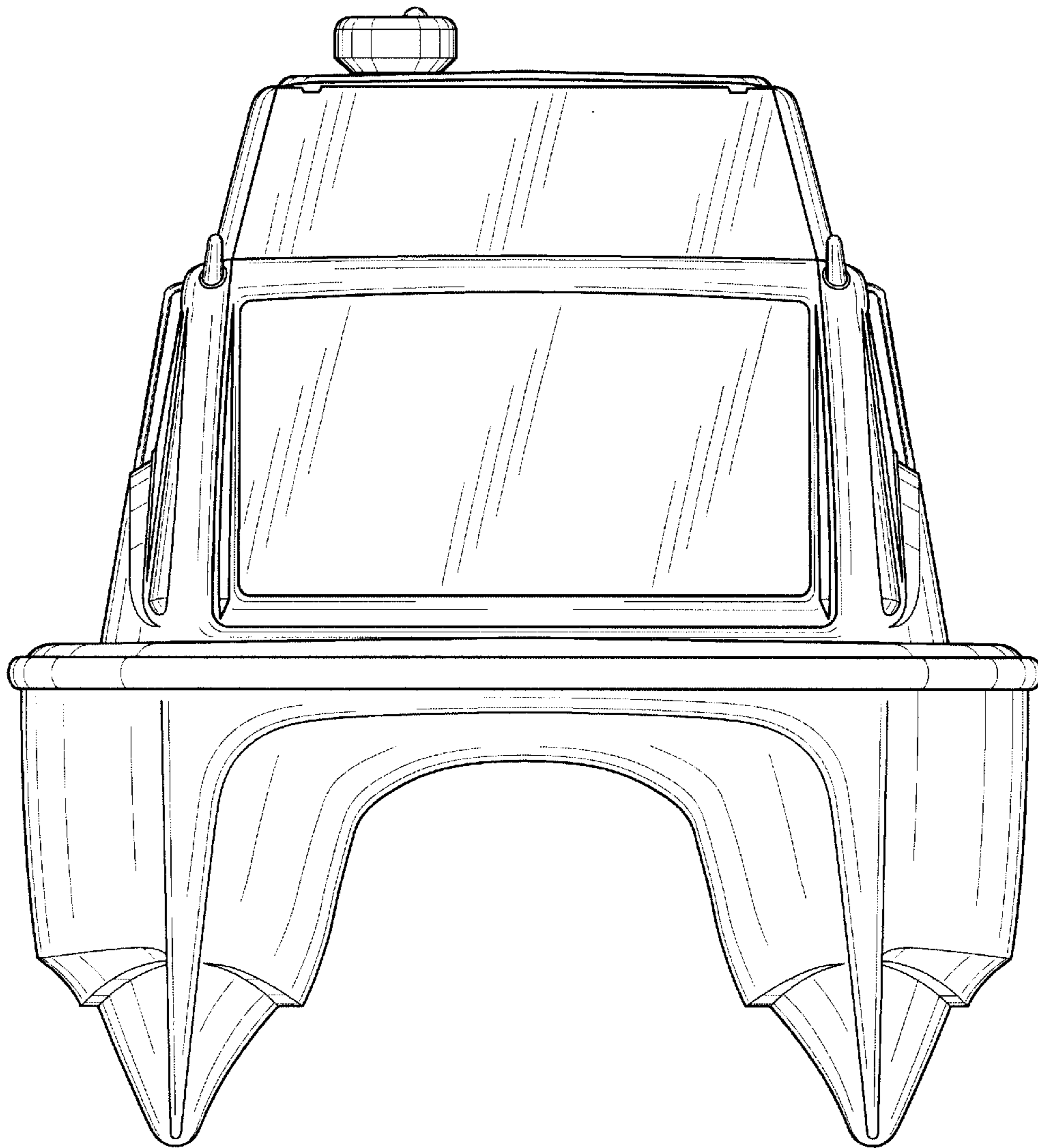
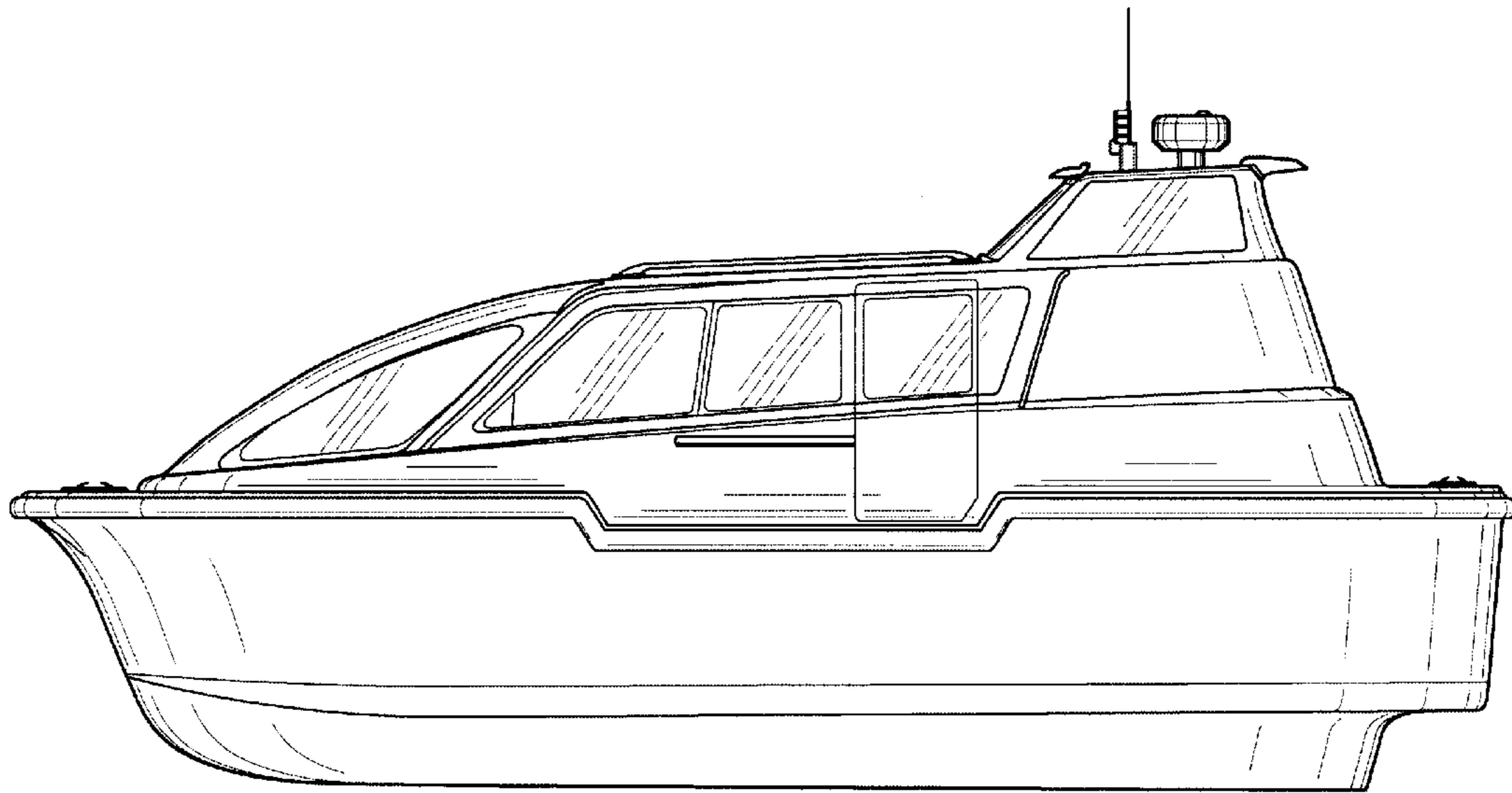
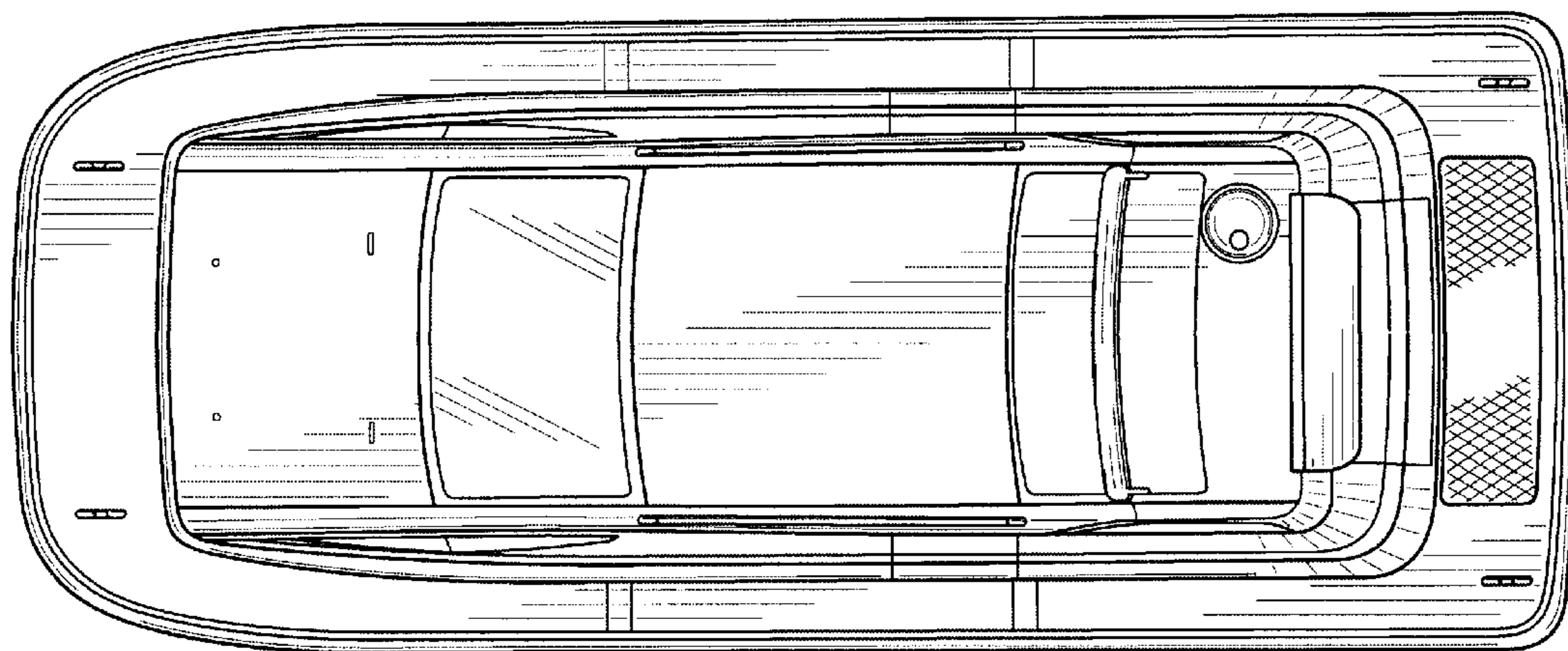


FIG. 2





*FIG. 3*



*FIG. 4*