



US00D520440S

(12) **United States Design Patent**  
**Lee**

(10) **Patent No.:** **US D520,440 S**

(45) **Date of Patent:** **\*\* May 9, 2006**

(54) **MOUNTING UNIT FOR VEHICLE ACCESSORIES**

D471,080 S \* 3/2003 Baumbach ..... D8/354  
D477,804 S \* 7/2003 Medder ..... D12/223  
6,601,817 B1 \* 8/2003 Schwebke ..... 248/534

(76) Inventor: **Michael Lee**, 13533 Lake Luntz Dr.,  
Winter Garden, FL (US) 34787

\* cited by examiner

(\*\*) Term: **14 Years**

*Primary Examiner*—Melody N. Brown  
(74) *Attorney, Agent, or Firm*—Robert L. Wolter, Esq.;  
Beusse Brownlee Wolter Mora & Maire, P.A.

(21) Appl. No.: **29/193,503**

(22) Filed: **Nov. 10, 2003**

(57) **CLAIM**

(51) **LOC (8) Cl.** ..... **12-06**

The ornamental design for a mounting unit for vehicle accessories, as shown and described.

(52) **U.S. Cl.** ..... **D12/223**

(58) **Field of Classification Search** ..... D12/223,  
D12/162, 400; D8/349, 354, 355, 373; 248/517,  
248/279.1, 329, 276.1

**DESCRIPTION**

See application file for complete search history.

FIG. 1 is a top perspective view a mounting unit for vehicle accessories showing my new design, the broken lines are for illustrative purposes only and form no part of the claimed design;

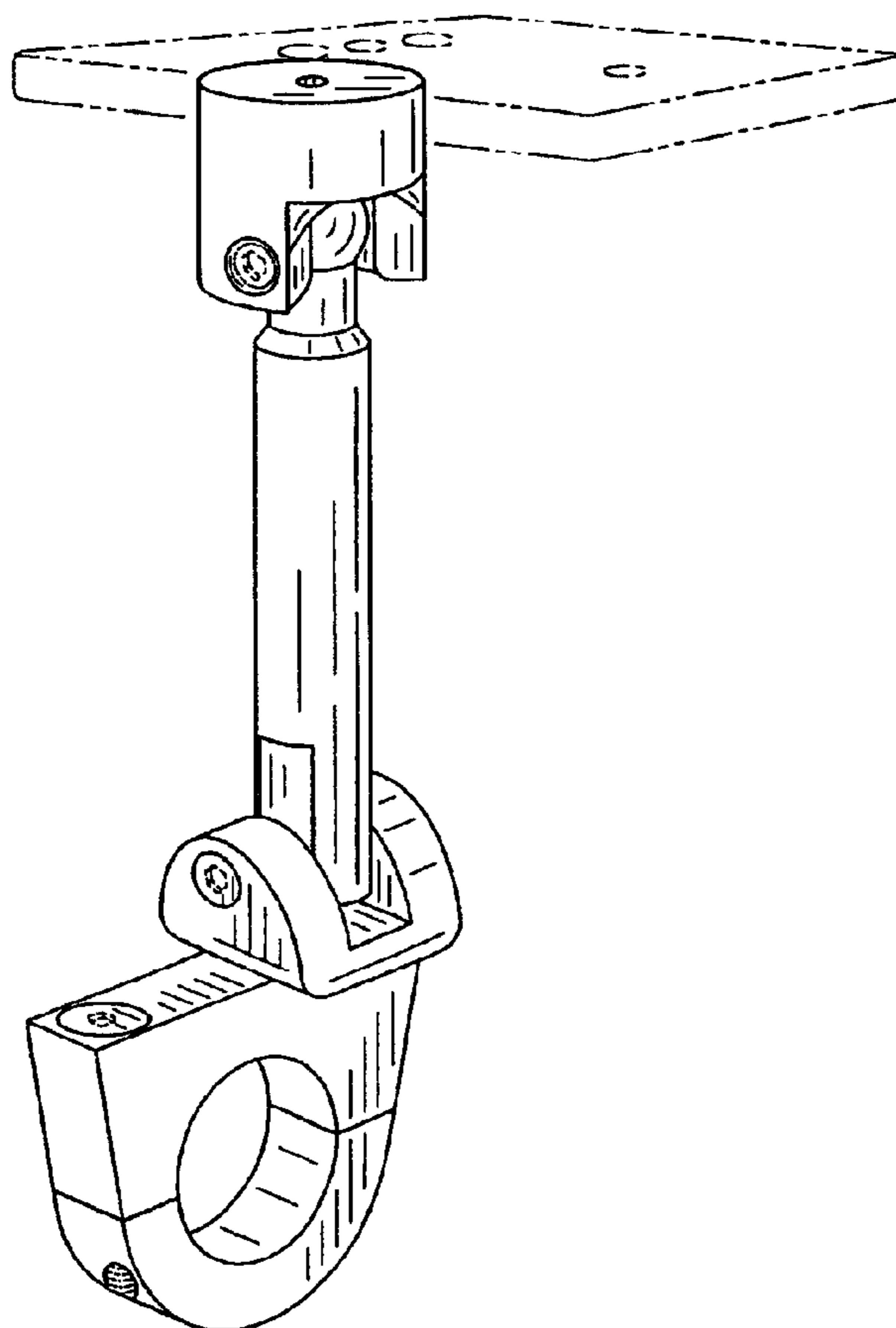
(56) **References Cited**

**U.S. PATENT DOCUMENTS**

3,409,317	A	11/1968	Richard	
4,673,329	A	6/1987	Kato	
D324,505	S	* 3/1992	Medina	..... D12/223
D332,232	S	* 1/1993	Johnson	..... D12/223
5,269,488	A	* 12/1993	Lach	..... 248/535
5,551,660	A	* 9/1996	Leduchowski	..... 248/276.1
6,170,795	B1	1/2001	Wayne	
D466,856	S	* 12/2002	Gates et al.	..... D12/223

FIG. 2 is a bottom perspective view thereof;  
FIG. 3 is a first side elevational view thereof;  
FIG. 4 is a second side elevational view thereof;  
FIG. 5 is a front elevational view thereof;  
FIG. 6 is a rear elevational view thereof;  
FIG. 7 is a top view thereof; and,  
FIG. 8 is a bottom view thereof.

**1 Claim, 3 Drawing Sheets**



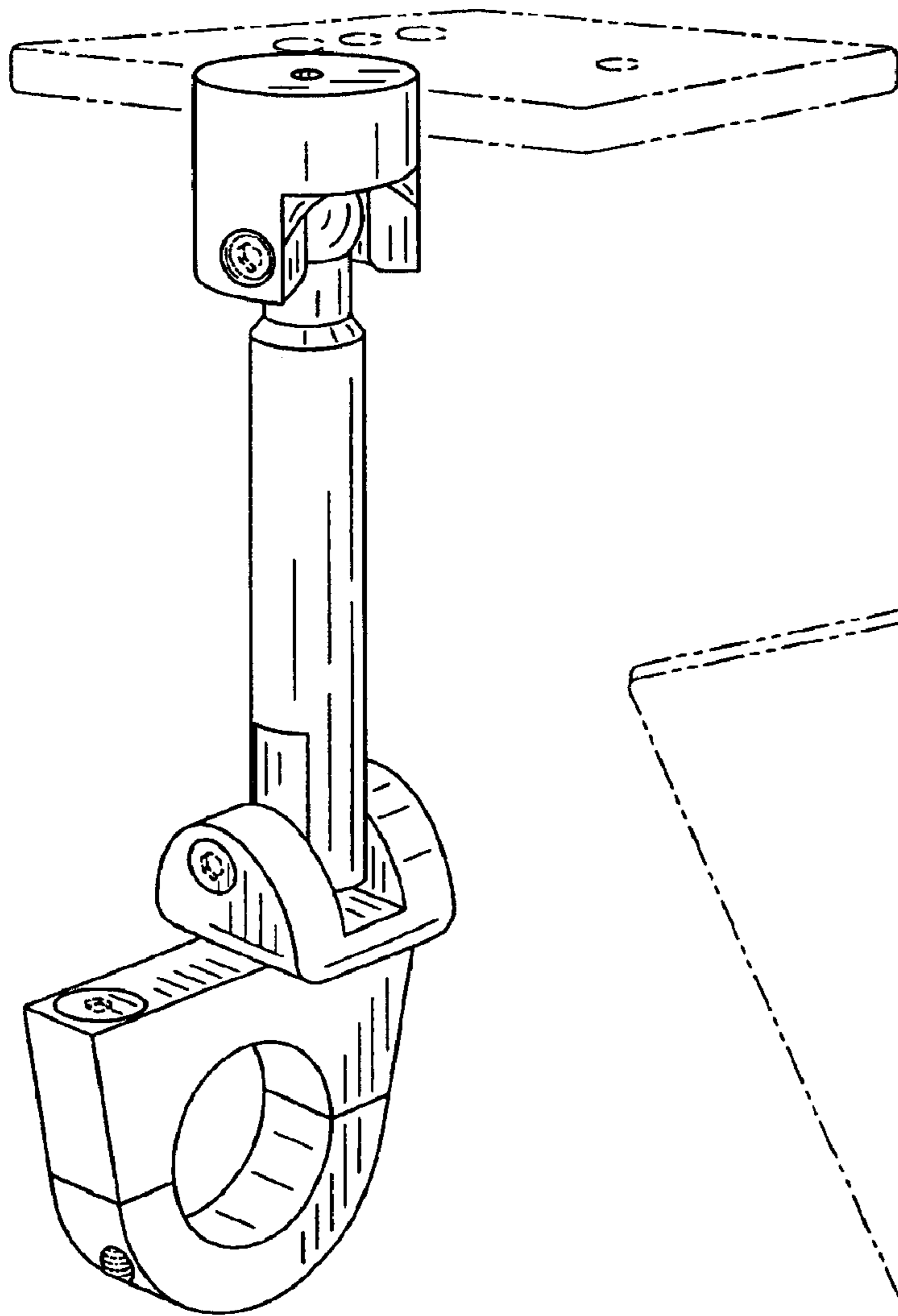


FIG. 1

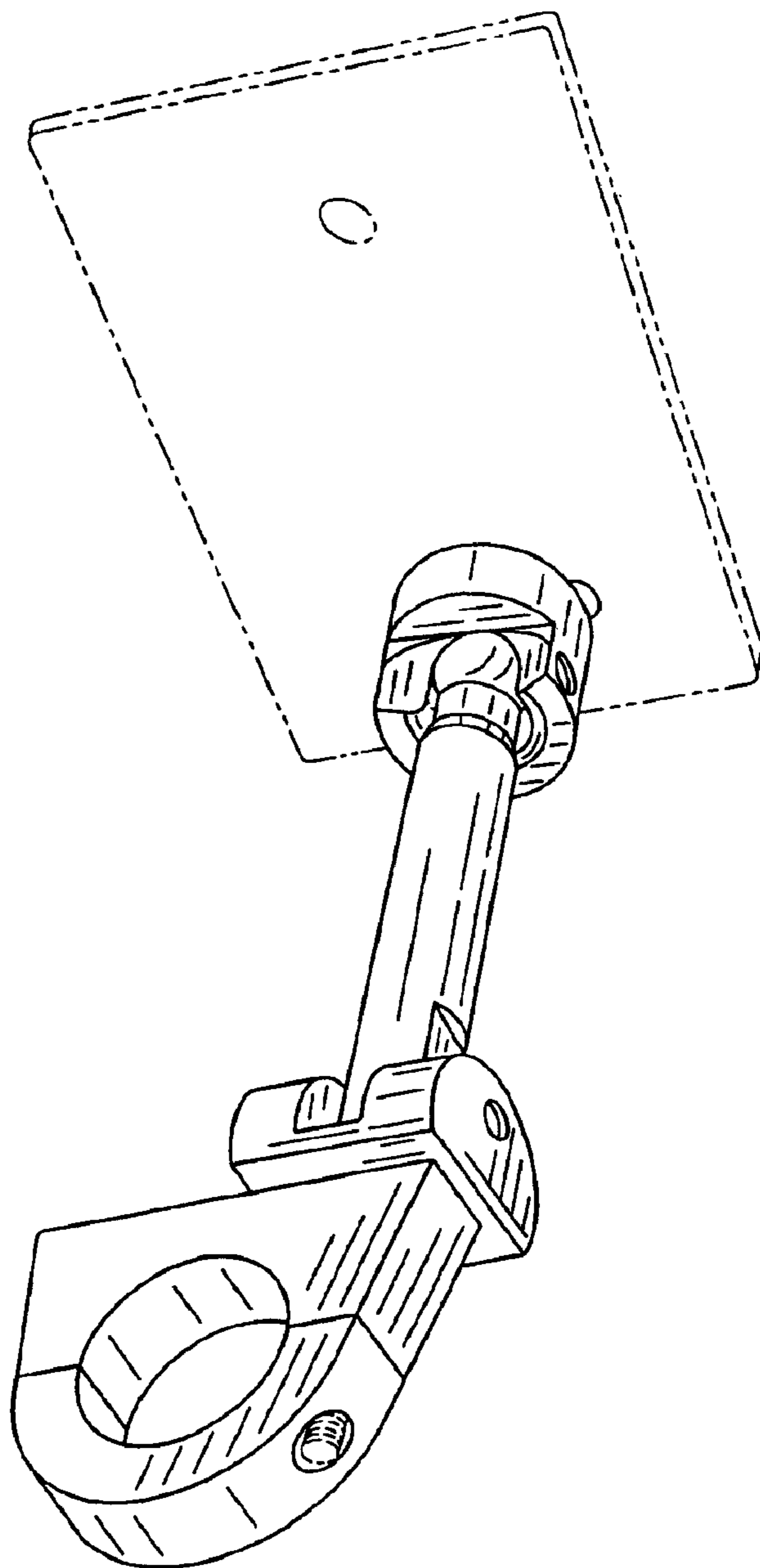


FIG. 2

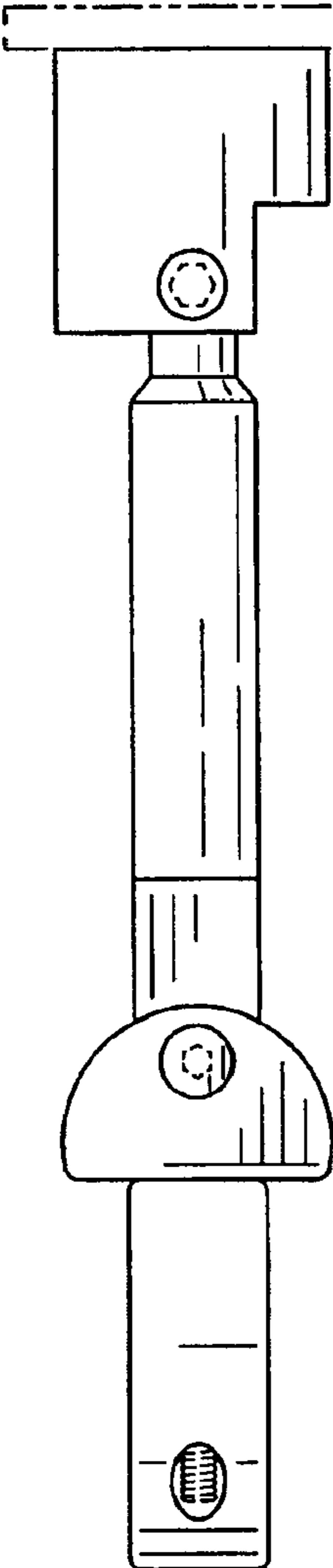


FIG. 3

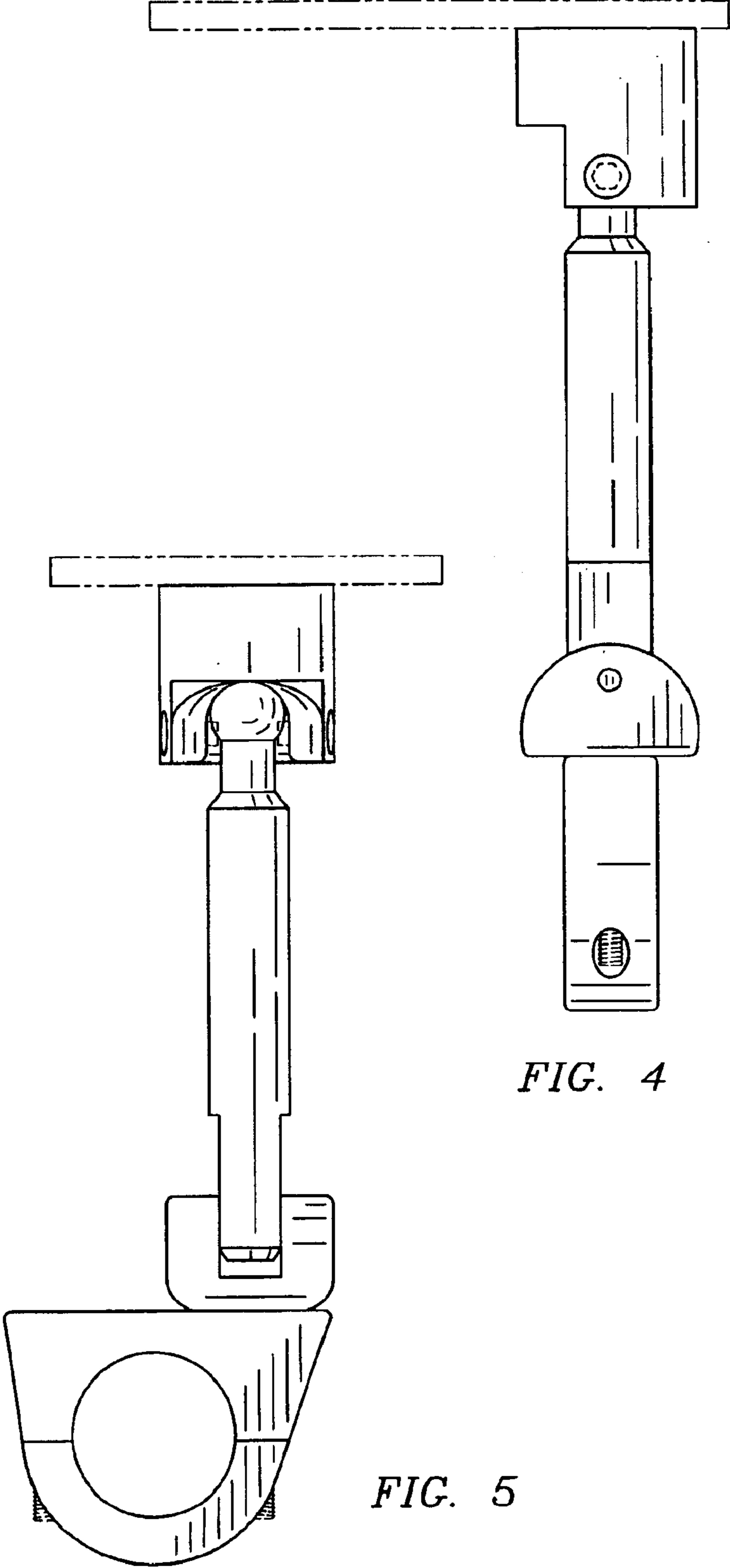


FIG. 4

FIG. 5

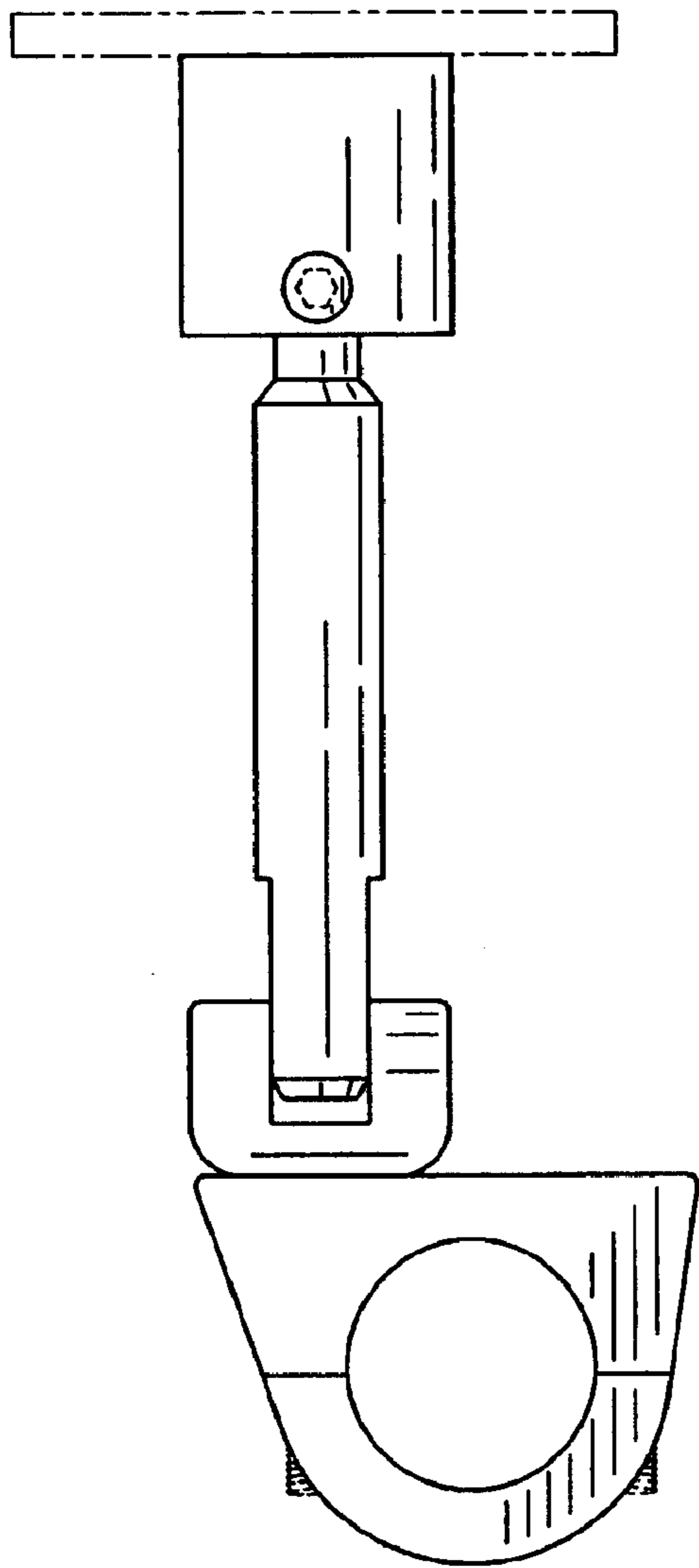


FIG. 6

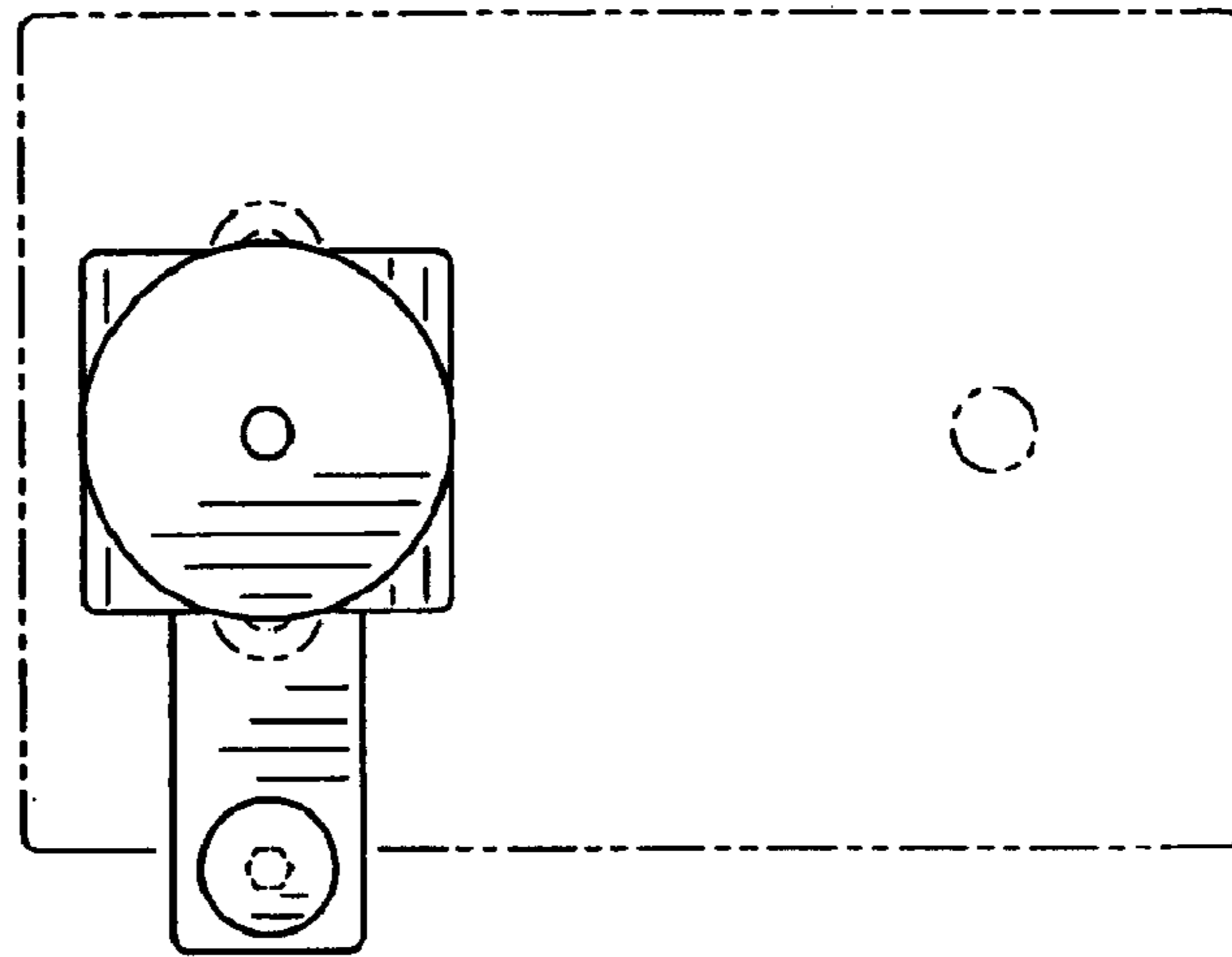


FIG. 7

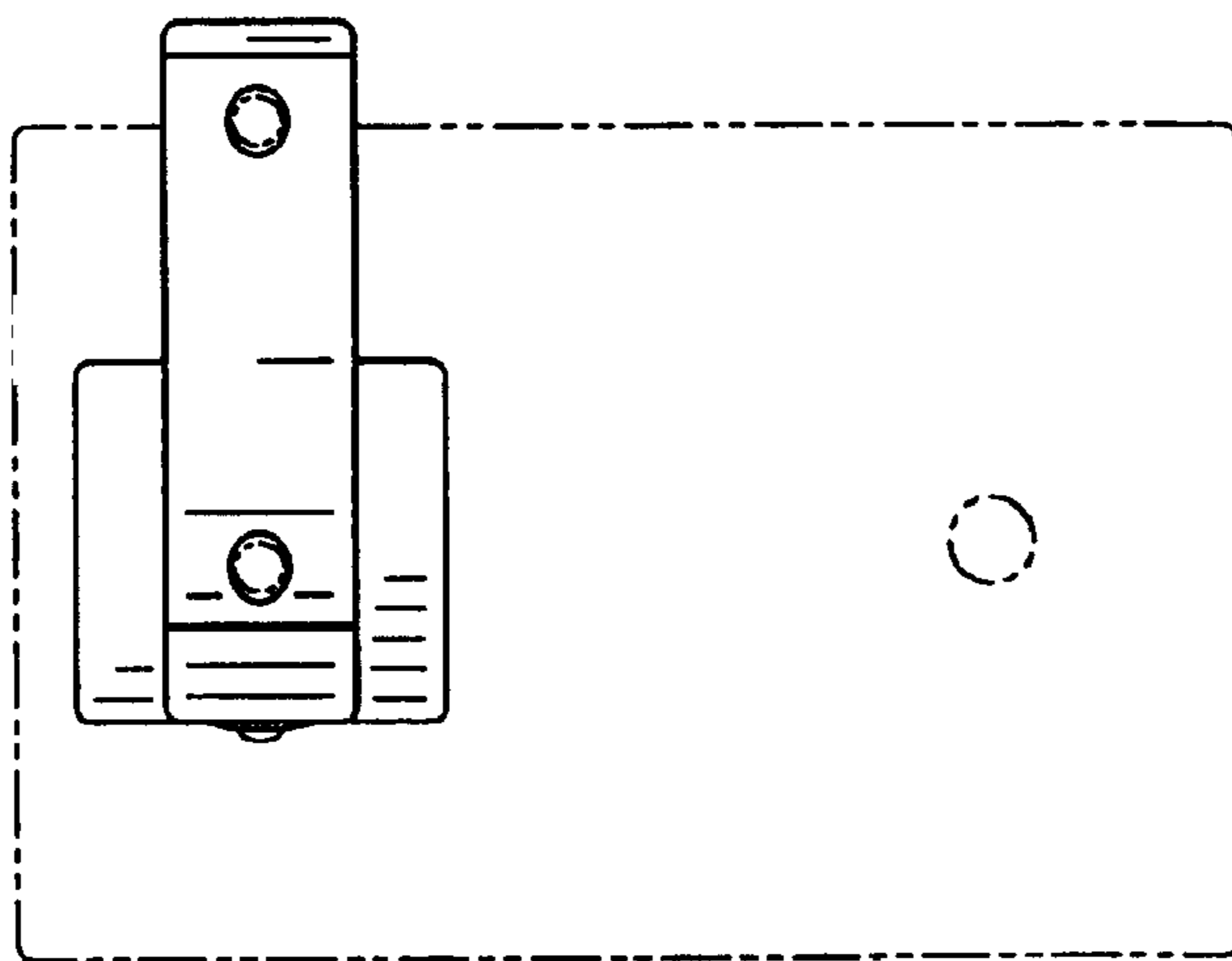


FIG. 8