



US00D520439S

(12) **United States Design Patent**  
**Lin**

(10) **Patent No.:** **US D520,439 S**

(45) **Date of Patent:** **\*\* May 9, 2006**

(54) **WIPER SUPPORTER OF A WINDSHIELD WIPER**

(76) Inventor: **Chin-Lien Lin**, Taipei (TW)

(\*\*) Term: **14 Years**

(21) Appl. No.: **29/230,677**

(22) Filed: **May 24, 2005**

(51) **LOC (8) Cl.** ..... **12-06**

(52) **U.S. Cl.** ..... **D12/220**

(58) **Field of Classification Search** ..... D12/219-220;  
15/250.31-250.33, 250.351, 250.38, 250.4,  
15/250.41, 250.201, 250.451-250.454, 250.001  
See application file for complete search history.

(56) **References Cited**

**U.S. PATENT DOCUMENTS**

D334,910 S	*	4/1993	Lee	.....	D12/220
D354,473 S	*	1/1995	Lee	.....	D12/219
D371,534 S	*	7/1996	Lee	.....	D12/220
D427,134 S	*	6/2000	Lee	.....	D12/219
D453,316 S	*	2/2002	Watanabe	.....	D12/219

D464,012 S	*	10/2002	Hussaini et al.	.....	D12/219
D472,510 S	*	4/2003	Lin	.....	D12/219
D494,528 S	*	8/2004	Chiang	.....	D12/219
D508,226 S	*	8/2005	Lin	.....	D12/219

\* cited by examiner

*Primary Examiner*—Stacia Cadmus

(74) *Attorney, Agent, or Firm*—Alan D. Kamrath; Nikolai & Mersereau, P.A.

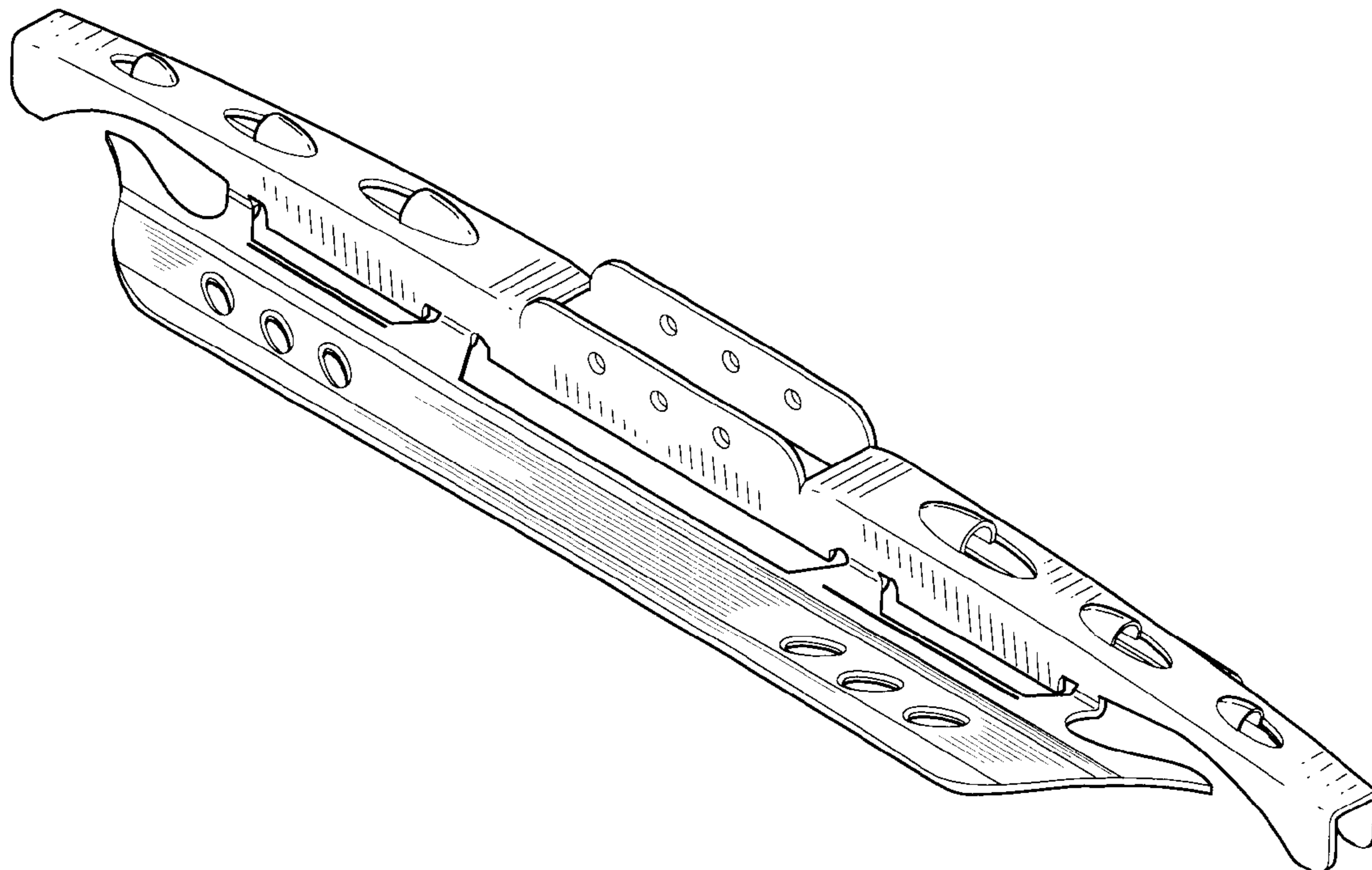
(57) **CLAIM**

The ornamental design for a wiper supporter of a windshield wiper, as shown and described.

**DESCRIPTION**

FIG. 1 is a perspective view of a wiper supporter of a windshield wiper showing my design; FIG. 2 is a front elevational view thereof; FIG. 3 is a rear elevational view thereof; FIG. 4 is a left side elevational view thereof; FIG. 5 is a right side elevational view thereof; FIG. 6 is a top plan view thereof; and, FIG. 7 is a bottom plan view thereof.

**1 Claim, 4 Drawing Sheets**



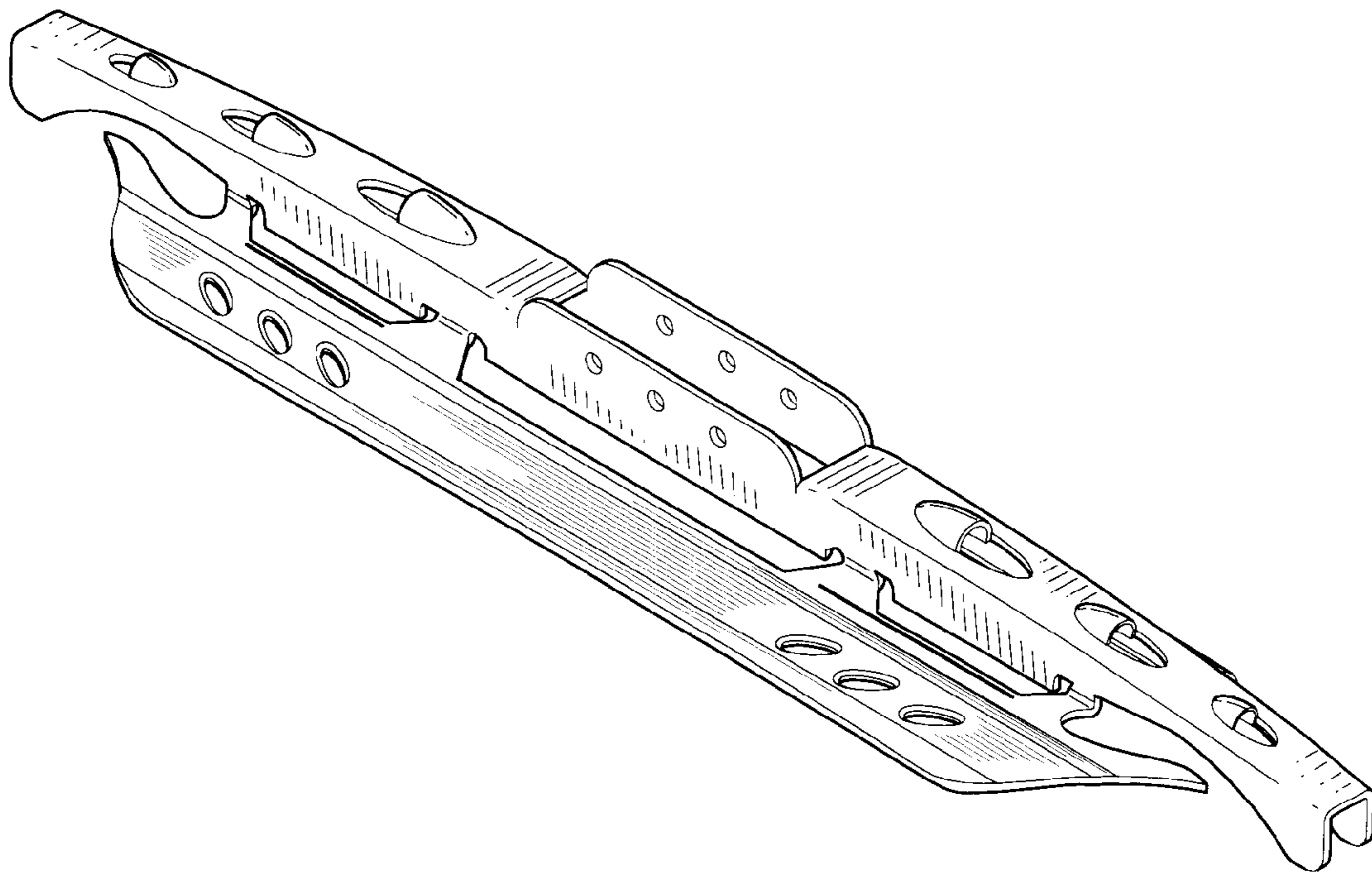


FIG. 1

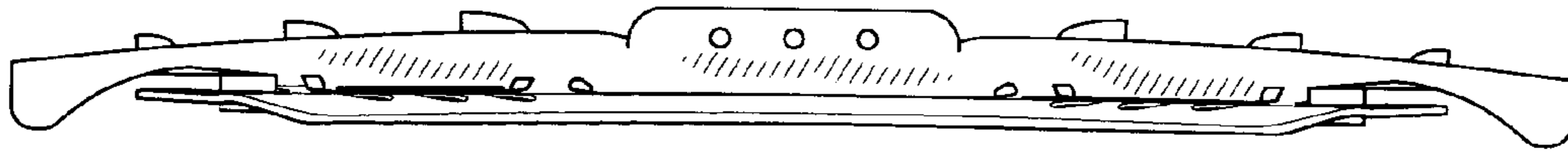


FIG. 2

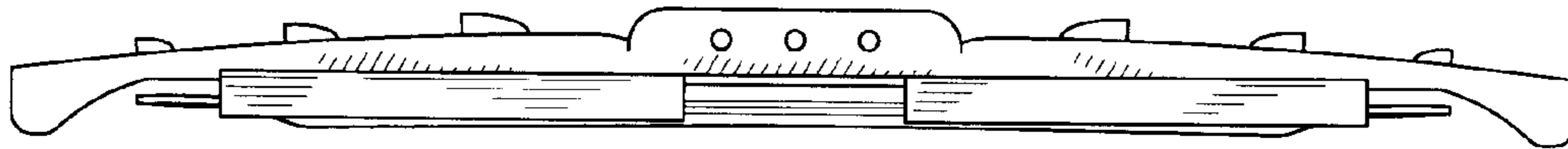


FIG. 3

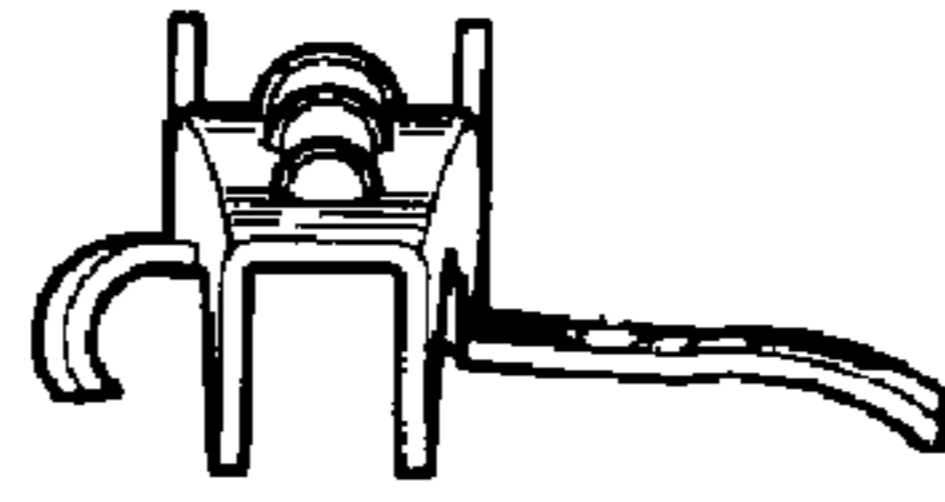


FIG. 4

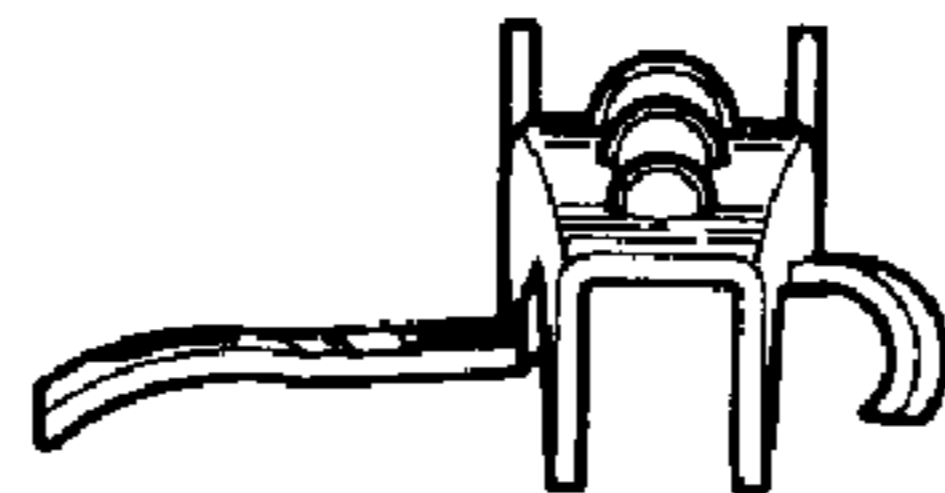


FIG. 5

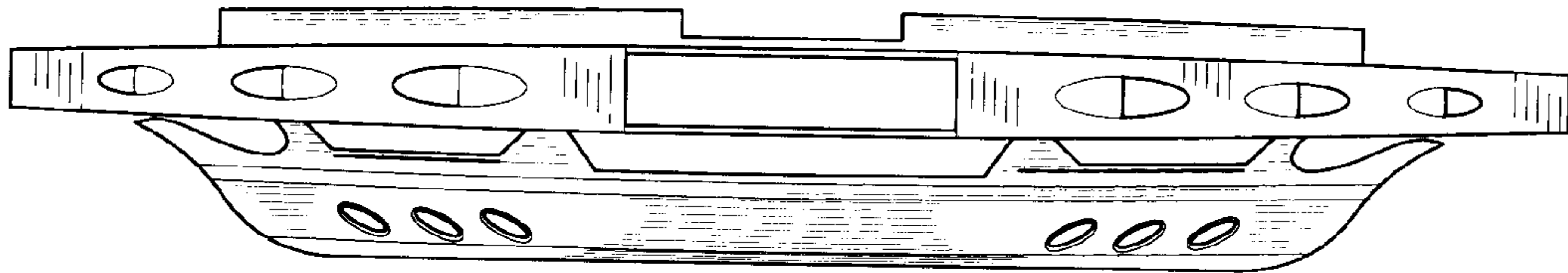


FIG. 6

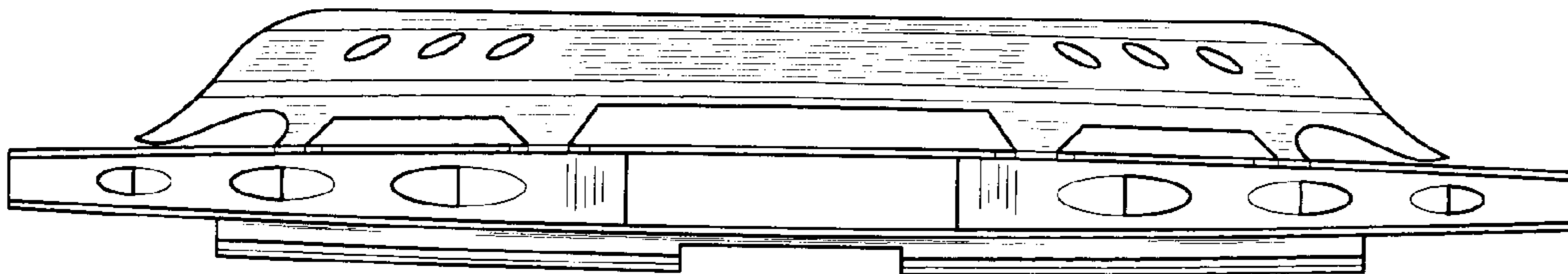


FIG. 7